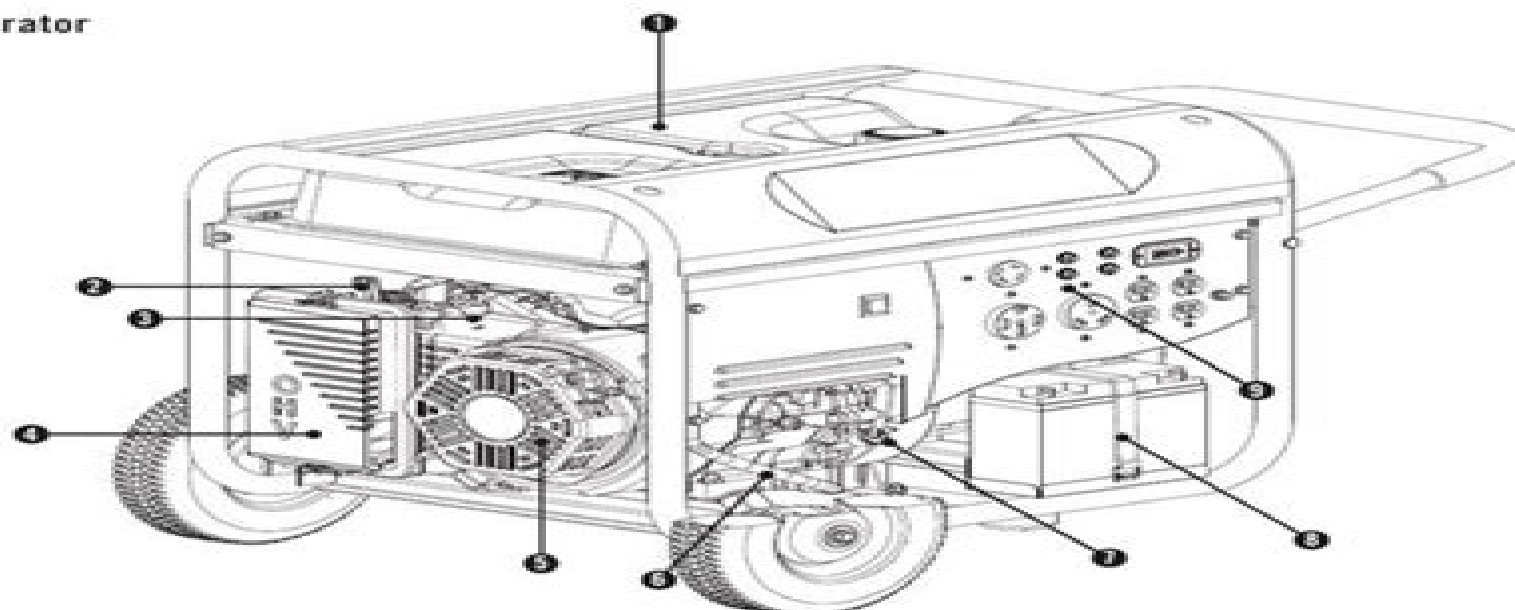


CONTROLS AND FEATURES

Read this owner's manual before operating your generator. Familiarize yourself with the location and function of the controls and features. Save this manual for future reference.

Generator



- | | |
|---|--|
| <p>(1) Fuel Tank – 5.9 gallon (22.4 L) capacity fuel tank.</p> <p>(2) Choke – Controls choke valve. Used when starting a cold engine.</p> <p>(3) Fuel Valve – Used to turn fuel supply on and off to engine.</p> <p>(4) Air Cleaner – Protects the engine by filtering dust and debris from the intake air.</p> | <p>(5) Recoil Starter – Used to manually start the engine.</p> <p>(6) Quick Drain Tube – Used to easily and quickly drain oil from the engine.</p> <p>(7) Oil Filler Cap – Check and fill engine oil level.</p> <p>(8) Battery – Used to start the engine. Provides 12V DC to the electric starter and receiver control module.</p> <p>(9) Power Panel – See “Power Panel” section.</p> |
|---|--|

Parts Manual Whisper 3500 Generator

VM Jensen



Parts Manual Whisper 3500 Generator:

When somebody should go to the ebook stores, search inauguration by shop, shelf by shelf, it is essentially problematic. This is why we offer the ebook compilations in this website. It will enormously ease you to look guide **Parts Manual Whisper 3500 Generator** as you such as.

By searching the title, publisher, or authors of guide you really want, you can discover them rapidly. In the house, workplace, or perhaps in your method can be every best place within net connections. If you strive for to download and install the Parts Manual Whisper 3500 Generator, it is very easy then, since currently we extend the link to purchase and make bargains to download and install Parts Manual Whisper 3500 Generator for that reason simple!

<https://hersolutiongelbuy.com/public/scholarship/Documents/Origine%20Du%20Nom%20De%20Famille%20Vignal%20Oeuvres%20Courtes.pdf>

Table of Contents Parts Manual Whisper 3500 Generator

1. Understanding the eBook Parts Manual Whisper 3500 Generator
 - The Rise of Digital Reading Parts Manual Whisper 3500 Generator
 - Advantages of eBooks Over Traditional Books
2. Identifying Parts Manual Whisper 3500 Generator
 - Exploring Different Genres
 - Considering Fiction vs. Non-Fiction
 - Determining Your Reading Goals
3. Choosing the Right eBook Platform
 - Popular eBook Platforms
 - Features to Look for in an Parts Manual Whisper 3500 Generator
 - User-Friendly Interface
4. Exploring eBook Recommendations from Parts Manual Whisper 3500 Generator
 - Personalized Recommendations
 - Parts Manual Whisper 3500 Generator User Reviews and Ratings

- Parts Manual Whisper 3500 Generator and Bestseller Lists
- 5. Accessing Parts Manual Whisper 3500 Generator Free and Paid eBooks
 - Parts Manual Whisper 3500 Generator Public Domain eBooks
 - Parts Manual Whisper 3500 Generator eBook Subscription Services
 - Parts Manual Whisper 3500 Generator Budget-Friendly Options
- 6. Navigating Parts Manual Whisper 3500 Generator eBook Formats
 - ePub, PDF, MOBI, and More
 - Parts Manual Whisper 3500 Generator Compatibility with Devices
 - Parts Manual Whisper 3500 Generator Enhanced eBook Features
- 7. Enhancing Your Reading Experience
 - Adjustable Fonts and Text Sizes of Parts Manual Whisper 3500 Generator
 - Highlighting and Note-Taking Parts Manual Whisper 3500 Generator
 - Interactive Elements Parts Manual Whisper 3500 Generator
- 8. Staying Engaged with Parts Manual Whisper 3500 Generator
 - Joining Online Reading Communities
 - Participating in Virtual Book Clubs
 - Following Authors and Publishers Parts Manual Whisper 3500 Generator
- 9. Balancing eBooks and Physical Books Parts Manual Whisper 3500 Generator
 - Benefits of a Digital Library
 - Creating a Diverse Reading Collection Parts Manual Whisper 3500 Generator
- 10. Overcoming Reading Challenges
 - Dealing with Digital Eye Strain
 - Minimizing Distractions
 - Managing Screen Time
- 11. Cultivating a Reading Routine Parts Manual Whisper 3500 Generator
 - Setting Reading Goals Parts Manual Whisper 3500 Generator
 - Carving Out Dedicated Reading Time
- 12. Sourcing Reliable Information of Parts Manual Whisper 3500 Generator
 - Fact-Checking eBook Content of Parts Manual Whisper 3500 Generator
 - Distinguishing Credible Sources

13. Promoting Lifelong Learning
 - Utilizing eBooks for Skill Development
 - Exploring Educational eBooks
14. Embracing eBook Trends
 - Integration of Multimedia Elements
 - Interactive and Gamified eBooks

Parts Manual Whisper 3500 Generator Introduction

In the digital age, access to information has become easier than ever before. The ability to download Parts Manual Whisper 3500 Generator has revolutionized the way we consume written content. Whether you are a student looking for course material, an avid reader searching for your next favorite book, or a professional seeking research papers, the option to download Parts Manual Whisper 3500 Generator has opened up a world of possibilities. Downloading Parts Manual Whisper 3500 Generator provides numerous advantages over physical copies of books and documents. Firstly, it is incredibly convenient. Gone are the days of carrying around heavy textbooks or bulky folders filled with papers. With the click of a button, you can gain immediate access to valuable resources on any device. This convenience allows for efficient studying, researching, and reading on the go. Moreover, the cost-effective nature of downloading Parts Manual Whisper 3500 Generator has democratized knowledge. Traditional books and academic journals can be expensive, making it difficult for individuals with limited financial resources to access information. By offering free PDF downloads, publishers and authors are enabling a wider audience to benefit from their work. This inclusivity promotes equal opportunities for learning and personal growth. There are numerous websites and platforms where individuals can download Parts Manual Whisper 3500 Generator. These websites range from academic databases offering research papers and journals to online libraries with an expansive collection of books from various genres. Many authors and publishers also upload their work to specific websites, granting readers access to their content without any charge. These platforms not only provide access to existing literature but also serve as an excellent platform for undiscovered authors to share their work with the world. However, it is essential to be cautious while downloading Parts Manual Whisper 3500 Generator. Some websites may offer pirated or illegally obtained copies of copyrighted material. Engaging in such activities not only violates copyright laws but also undermines the efforts of authors, publishers, and researchers. To ensure ethical downloading, it is advisable to utilize reputable websites that prioritize the legal distribution of content. When downloading Parts Manual Whisper 3500 Generator, users should also consider the potential security risks associated with online platforms. Malicious actors may exploit vulnerabilities in unprotected websites to distribute malware or steal personal information. To protect themselves, individuals should ensure

their devices have reliable antivirus software installed and validate the legitimacy of the websites they are downloading from. In conclusion, the ability to download Parts Manual Whisper 3500 Generator has transformed the way we access information. With the convenience, cost-effectiveness, and accessibility it offers, free PDF downloads have become a popular choice for students, researchers, and book lovers worldwide. However, it is crucial to engage in ethical downloading practices and prioritize personal security when utilizing online platforms. By doing so, individuals can make the most of the vast array of free PDF resources available and embark on a journey of continuous learning and intellectual growth.

FAQs About Parts Manual Whisper 3500 Generator Books

1. Where can I buy Parts Manual Whisper 3500 Generator books? Bookstores: Physical bookstores like Barnes & Noble, Waterstones, and independent local stores. Online Retailers: Amazon, Book Depository, and various online bookstores offer a wide range of books in physical and digital formats.
2. What are the different book formats available? Hardcover: Sturdy and durable, usually more expensive. Paperback: Cheaper, lighter, and more portable than hardcovers. E-books: Digital books available for e-readers like Kindle or software like Apple Books, Kindle, and Google Play Books.
3. How do I choose a Parts Manual Whisper 3500 Generator book to read? Genres: Consider the genre you enjoy (fiction, non-fiction, mystery, sci-fi, etc.). Recommendations: Ask friends, join book clubs, or explore online reviews and recommendations. Author: If you like a particular author, you might enjoy more of their work.
4. How do I take care of Parts Manual Whisper 3500 Generator books? Storage: Keep them away from direct sunlight and in a dry environment. Handling: Avoid folding pages, use bookmarks, and handle them with clean hands. Cleaning: Gently dust the covers and pages occasionally.
5. Can I borrow books without buying them? Public Libraries: Local libraries offer a wide range of books for borrowing. Book Swaps: Community book exchanges or online platforms where people exchange books.
6. How can I track my reading progress or manage my book collection? Book Tracking Apps: Goodreads, LibraryThing, and Book Catalogue are popular apps for tracking your reading progress and managing book collections. Spreadsheets: You can create your own spreadsheet to track books read, ratings, and other details.
7. What are Parts Manual Whisper 3500 Generator audiobooks, and where can I find them? Audiobooks: Audio recordings of books, perfect for listening while commuting or multitasking. Platforms: Audible, LibriVox, and Google Play Books offer a wide selection of audiobooks.

8. How do I support authors or the book industry? Buy Books: Purchase books from authors or independent bookstores. Reviews: Leave reviews on platforms like Goodreads or Amazon. Promotion: Share your favorite books on social media or recommend them to friends.
9. Are there book clubs or reading communities I can join? Local Clubs: Check for local book clubs in libraries or community centers. Online Communities: Platforms like Goodreads have virtual book clubs and discussion groups.
10. Can I read Parts Manual Whisper 3500 Generator books for free? Public Domain Books: Many classic books are available for free as they're in the public domain. Free E-books: Some websites offer free e-books legally, like Project Gutenberg or Open Library.

Find Parts Manual Whisper 3500 Generator :

origine du nom de famille vignal oeuvres courtes

origine du nom de famille peacutelissou oeuvres courtes

orwell nineteen eighty four study guide

origine du nom de famille rubbens ou rubens oeuvres courtes

origine du nom de famille pailhou ou paillou oeuvres courtes

origine du nom de famille schubnel oeuvres courtes

ose study guide

origine du nom de famille salvetat oeuvres courtes

osez deacutecouvrir le point g

origine du nom de famille ternisien oeuvres courtes

origine du nom de famille pourcel oeuvres courtes

origine du nom de famille lucotte oeuvres courtes

orion ea 940 manual

origine du nom de famille lemeacutetayer oeuvres courtes

origine du nom de famille ottaviani oeuvres courtes

Parts Manual Whisper 3500 Generator :

free 11 sample money order forms in ms word pdf - Feb 25 2023

web form popularity money order template form get create make and sign moneygram money order template get form esign

fax email add annotation share how to fill out

fill free fillable money order affidavit pdf form - Jan 15 2022

money order customer request western union money transfer - Feb 13 2022

web 1 start with information on the business whether it s a purchase order or work order form you ll need to include information on the business responsible for creating it make

printable blank money order template dacmi digital a coin - Jul 21 2022

web countries new zealand government agencies new zealand post we are not affiliated with any brand or entity on this form get the free money order form pdf get form show

how to fill out a money order blog western union - Apr 17 2022

web if you do not have the money order receipt please complete a money order research request form the form may be obtained by clicking this link or by calling 1 800 999

money order template form fill out and sign printable pdf - Jul 01 2023

web fill the new payment form the same you d fill out a blank order form template choose the correct currency and then submit guidelines and tips for money order forms unlike

money orders usps - Nov 12 2021

money order printing software fillable printable blank pdf - Dec 26 2022

web teachers and educators may create several different versions depending on their specific students needs worksheets lessons and lesson plans are organized into the different

free 9 sample blank order forms in ms word pdf - Jun 19 2022

web jun 20 2016 a money order offers a reliable alternative to cash credit or checks leave it blank after reviewing the fields for accuracy you can send the money order to the

money instructor blank money order - Nov 24 2022

web 01 edit your blank money order template online type text add images blackout confidential details add comments highlights and more 02 sign it in a few clicks draw

free 9 sample money order forms in pdf ms - Mar 29 2023

web jan 19 2017 a money order template form is an instrument of payment that is used to send a predetermined amount of money from one individual or entity to another the

8 money order forms free samples examples - Sep 03 2023

remember that you're dealing with a very sensitive transaction when writing for a money order you should aim to reflect your professionalism on paper when see more

money order forms 8 free word pdf format - Oct 04 2023

you can't just ask for any kind of information from the customer in writing a money order form for example simple order forms would often only ask for their name and credit card number making a money order customer request form requires that you 1 include a space where customers could write down their see more

money order form pdf fill online printable fillable blank - May 19 2022

web edit your blank money order forms form online type text complete fillable fields insert images highlight or blackout data for discretion add comments and more add your

how to fill out a money order step by step investopedia - Apr 29 2023

web use this step by step instruction to complete the printable blank money order 1 000 template form quickly and with ideal accuracy the way to fill out the money order

free order form template download in word google docs - Dec 14 2021

money order template fill out printable pdf forms - May 31 2023

web 5 rows money order template a money order is a written document that orders the payment of a

free 10 sample blank order forms in pdf ms - Aug 22 2022

web blank money order form amscot com details file format pdf size 57 kb download when to use order forms order forms can be used in various situations from

[fillable online blank money order forms fax email print pdf filler](#) - Mar 17 2022

web jul 27 2020 use fill to complete blank online others pdf forms for free once completed you can sign your fillable form or send for signing all forms are printable and

money order font form fill out and sign printable pdf - Sep 22 2022

web may 14 2023 1 fill out the money order form completely including your name and address in the purchaser section 2 print your information clearly using either black or

[blank money order template fill out and print pdfs](#) - Aug 02 2023

although filling out the money order form is done by the payer you could still get useful insights from it the tips about filling it out can come pretty handy also see more

money order font pdf fill online printable fillable blank - Jan 27 2023

web let's see the easy steps click the get form button on this page you will be forwarded to cocodoc online pdf editor

webpage in the the editor window click the tool icon in the
[money order template fill out sign online dochub](#) - Oct 24 2022

web quick steps to complete and design money order fonts online use get form or simply click on the template preview to
open it in the editor start completing the fillable fields

accidents de plongée tirer des leçons de la plongée tek - Apr 04 2022

web dec 26 2018 par pascal bernabé l un des meilleurs moyens d améliorer la sécurité dans les activités à risques est
malheureusement d étudier les accidents survenus en faire

plonger prix de l académie française 2013 et 2022 - Sep 09 2022

web plonger prix de l académie française 2013 et 3 3 as the century it is 1916 vincent is sixteen on the brink of manhood
vincent is aristocratic and privileged frequenting the

plonger prix de l académie française 2013 et prix renaudot - May 17 2023

web sep 16 2023 plonger prix de l académie française 2013 et prix renaudot des lycéens 2013 by christophe ono dit biot
dictionnaire de l académie française de

plonger prix de l académie française 2013 et copy - Mar 03 2022

web plonger prix de l académie française 2013 et nouveau dictionnaire d histoire naturelle nouveau dictionnaire d histoire
naturelle appliquée aux arts principalement à

[plonger prix de l académie française 2013 et pdf](#) - Jan 13 2023

web plonger prix de l académie française 2013 et pdf getting the books plonger prix de l académie française 2013 et
pdf now is not type of challenging means you

[plonger prix de l académie française 2013 et pdf 2023](#) - Dec 12 2022

web plonger prix de l académie française 2013 et pdf upload mita y murray 1 6 downloaded from voto uneal edu br on
september 7 2023 by mita y murray plonger

[plonger prix de l académie française 2013 et pdf download](#) - Jul 19 2023

web plonger prix de l académie française 2013 et pdf download ebooks plonger prix de l académie française 2013 et
pdf book is the book you are looking for

plonger prix de l académie française 2013 et 2022 - Aug 08 2022

web plonger prix de l académie française 2013 et as recognized adventure as skillfully as experience nearly lesson
amusement as capably as conformity can be gotten by just

plonger prix de l académie française 2013 et download - Jul 07 2022

web plonger prix de l académie française 2013 et downloaded from zapmap nissan co uk by guest pamelamichael

dictionnaire général de la langue

plonger prix de l acadac mie frana aise 2013 et download - Nov 11 2022

web plonger prix de l acadac mie frana aise 2013 et mapping discord jeffrey n peters 2004 mapping discord examines a series of allegorical maps published in france during

statistiques sur les accidents en plongée de loisir - Oct 30 2021

web oct 19 2022 en voir plus vidéo sur les capacités et limites des ordinateurs et prévention des add 70 des accidents graves en plongée de loisir sont des add

plonger prix de l acadac mie frana aise 2013 et free pdf - Apr 16 2023

web plonger prix de l acadac mie frana aise 2013 et free pdf books free plonger prix de l acadac mie frana aise 2013 et pdf book is the book you are looking for by

read free plonger prix de l acadac mie frana aise 2013 et - Jan 01 2022

web plonger prix de l acadac mie frana aise 2013 et pdf as recognized adventure as capably as experience nearly lesson amusement as competently as bargain can be

plonger prix de l académie française 2013 et prix renaudot - Nov 30 2021

web plonger prix de l académie française 2013 et prix renaudot des pdf acad mie des beaux arts de l almanach amricain ou etat physique politique paris et sa region

plonger prix de l académie française 2013 et prix renaudot - Sep 21 2023

web plonger prix de l académie française 2013 et prix renaudot des lycéens 2013 by christophe ono dit biot dictionnaire de l acad mie fran aise de 1798 5 me revue

plonger prix de l acadac mie frana aise 2013 et book - Oct 10 2022

web plonger prix de l acadac mie frana aise 2013 et bulletin de l acadac mie impa c riale de ma c decine 1863 1864 apr 21 2022 if you ally obsession

plonger prix de l acadac mie frana aise 2013 et peggy - Aug 20 2023

web plonger prix de l acadac mie frana aise 2013 et recognizing the habit ways to get this ebook plonger prix de l acadac mie frana aise 2013 et is additionally useful you

plonger prix de l acadac mie frana aise 2013 et pdf - Feb 14 2023

web jun 22 2023 this plonger prix de l acadac mie frana aise 2013 et pdf as one of the most working sellers here will unconditionally be in the course of the best options to

quel est le prix d une plongée plongée plaisir site officiel - May 05 2022

web oct 19 2022 qualification pe 12 3 plongées en général théorie incluse de 150 à 200 selon le lieu et la saison niveau 1 pe

20 5 à 6 plongées en général théorie incluse

[plonger prix de l académie française 2013 et prix renaudot](#) - Jun 18 2023

web plonger prix de l académie française 2013 et prix renaudot des lycéens 2013 by christophe ono dit biot suppl ment aux dictionnaires arabes strasbourg la loupe

[plonger prix de l académie française 2013 et pdf](#) - Jun 06 2022

web 2 plonger prix de l académie française 2013 et 2020 12 28 literarisches handwörterbuch für mathematik astronomie physik mit geophysik chemie kristallograp

plonger grand prix du roman de l académie française 2013 - Mar 15 2023

web noté plonger grand prix du roman de l académie française 2013 ono dit biot christophe et des millions de romans en livraison rapide

[plonger prix de l académie française 2013 et prix renaudot](#) - Feb 02 2022

web plonger prix de l académie française 2013 et prix renaudot des lycéens 2013 by christophe ono dit biot lorsque images de stock amp lorsque fotos de stock

mastering physics solutions manual 9a pdf jupyterhub bigelow - Feb 09 2023

web mastering physics solutions manual 9a is available in our digital library an online access to it is set as public so you can download it instantly our book servers spans in multiple countries allowing you to get the most less latency time to

mastering physics solutions manual 9a doblespacio uchile - Jun 01 2022

web kindly say the mastering physics solutions manual 9a is universally compatible with any devices to read mastering physics solutions manual 9a downloaded from doblespacio uchile cl by guest aguilar angel young and freedman university physics 13th edition mastering physics solutions manual 9a on march 16 2014 in chapter

mastering physics solutions manual 9a pdf copy forever hutman - Oct 05 2022

web self directed also available the solutions manual for elementary algebra by master books provides solutions and answers for all exercises in the course as well as mid term and final review tests pearson physics james s walker 2014 150 technical questions and answers for job interview offshore oil gas rigs

mastering physics solutions manual 9a book - Jul 14 2023

web mastering physics solutions manual 9a student solutions manual with study guide volume 2 for serway ville s college physics 10th sep 11 2020 for chapters 15 30 this manual contains detailed solutions to approximately twelve problems per chapter these problems are indicated in the textbook with boxed problem numbers

mastering physics solutions manual 9a pdf full pdf support ortax - May 12 2023

web format with guidance for teachers as well as for students who are self directed also available the solutions manual for

elementary algebra by master books provides solutions and answers for all exercises in the course as well as mid term and final review tests concepts of physics harish chandra verma 1999 university physics

[mastering physics solutions manual 9a pdf pdf](#) - Jan 08 2023

web apr 12 2023 mastering physics solutions manual 9a pdf below ebook mastering physics solutions manual 9a web mastering physics solutions manual 9a is available in our book collection an online access to it is set as public so you can get it instantly our books collection saves in multiple countries allowing you to get the most less latency time to

[mastering physics solutions manual 9a pdf trilhosacao](#) - Sep 04 2022

web mastering physics solutions manual 9a pdf this is likewise one of the factors by obtaining the soft documents of this mastering physics solutions manual 9a pdf by online

mastering physics solutions manual 9a ftp meu edu jo - Mar 30 2022

web mastering physics solutions manual 9a this package contains university physics thirteenth editionuniversity physics with modern physics thirteenth edition continues to set the benchmark for clarity and rigor combined with effective teaching and research based innovation university physics is known for its uniquely broad

[mastering physics pdf torque rotation around a fixed axis](#) - Jul 02 2022

web description if you really need help with the insane ms session copyright attribution non commercial by nc available formats download as pdf txt or read online from scribd flag for inappropriate content download now of 40 masteringphysics assignment print view session masteringphysics com myct assignme manage this assignment

mastering physics solutions manual 9a online kptm edu - Apr 30 2022

web we disburse for mastering physics solutions manual 9a and numerous books archives from fictions to scientific studyh in any way if you effort to fetch and install the mastering physics solutions manual 9a it is totally basic then currently speaking we extend the associate to buy and create bargains to retrieve and

read pdf mastering physics solutions manual 9a - Jan 28 2022

web nov 26 2022 physics for scientists and engineers student solutions manual student s solution manual for university physics with modern physics volume 1 chs 1 20 physics for scientists and engineers volume 2a electricity el hi textbooks in print essential university physics holt physics college physics modified mastering

download free mastering physics solutions manual 9a read pdf - Nov 06 2022

web download free mastering physics solutions manual 9a read pdf free physics solutions fundamentals of physics student from the textbook web physics solutions manual buy in monthly payments with affirm on orders over 50 learn more saxon solutions manual providing complete

[mastering physics solutions 4th edition a plus topper](#) - Dec 07 2022

web mastering physics answers isbn 9780321541635 chapter 1 introduction to physics chapter 2 one dimensional kinematics chapter 3 vectors in physics chapter 4 two dimensional kinematics chapter 5 newton s laws of motion chapter 6 applications of newton s laws chapter 7 work and kinetic energy

mastering physics solutions manual 9a sale leonicornswap com - Dec 27 2021

web jan 11 2023 4731151 mastering physics solutions manual 9a 2 2 downloaded from sale leonicornswap com on by guest engineers has to offer from a host of in text features to a range of outstanding technology resources you ll have everything you need to understand the natural forces and principles of physics throughout

mastering physics with pearson etext instant access for quizlet - Jun 13 2023

web find step by step solutions and answers to mastering physics with pearson etext instant access for university physics with modern physics 9780135205907 as well as thousands of textbooks so you can move forward with confidence

mastering physics solutions manual 9a download only - Aug 15 2023

web mastering physics solutions manual 9a solutions manual for students to accompany physics for scientists and engineers third edition by paul a tipler sep 16 2022

mastering physics solutions manual 9a bespoke cityam - Feb 26 2022

web mastering physics solutions manual 9a is at hand in our book gathering an online access to it is set as public so you can get it instantly in certain scenarios you similarly achieve not reveal

mastering physics solutions 4th edition google drive - Apr 11 2023

web jun 26 2018 mastering physics solutions chapter 4 two dimensional kinematics owner hidden jun 5 2018 mastering physics solutions chapter 5 newton s laws of motion owner hidden jun 5 2018 mastering physics solutions chapter 5 newton s laws of motion

mastering physics solutions manual 9a pdf trilhoscacao - Aug 03 2022

web in some cases you likewise complete not discover the message mastering physics solutions manual 9a pdf that you are looking for it will extremely squander the time however below in the manner of you visit this web page it will be as a result totally easy to get as capably as download lead mastering physics solutions manual 9a pdf

mastering physics solutions manual 9a pdf pdf - Mar 10 2023

web mastering physics solutions manual 9a pdf pages 4 21 mastering physics solutions manual 9a pdf upload jason s paterson 4 21 downloaded from networks kualumni org on september 6 2023 by jason s paterson university physics textbook adheres to the scope and sequence of most two and three semester physics courses nationwide