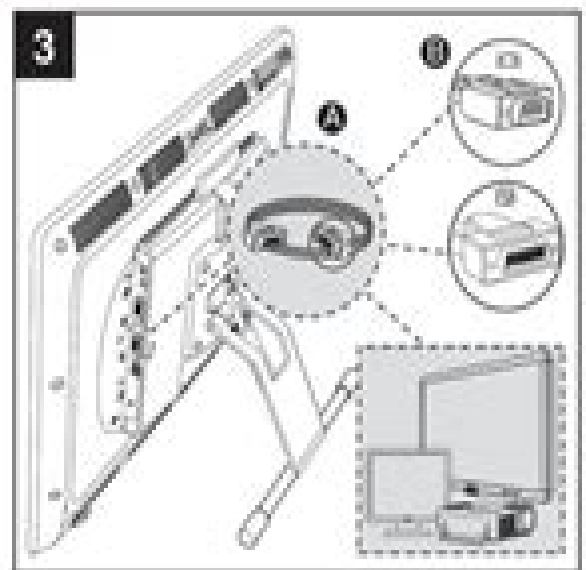
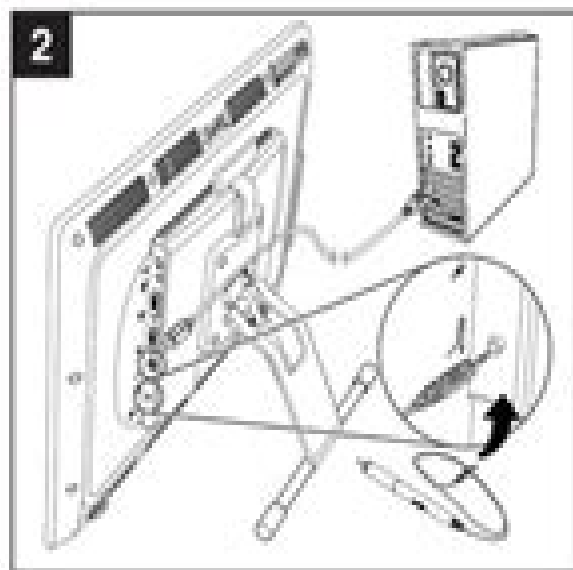
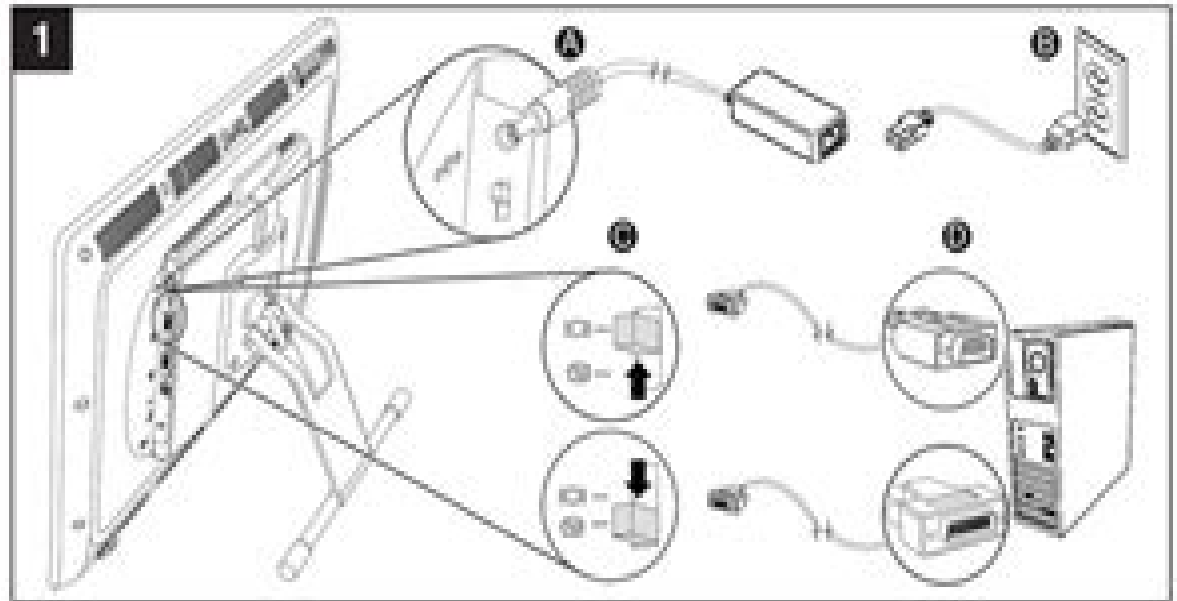
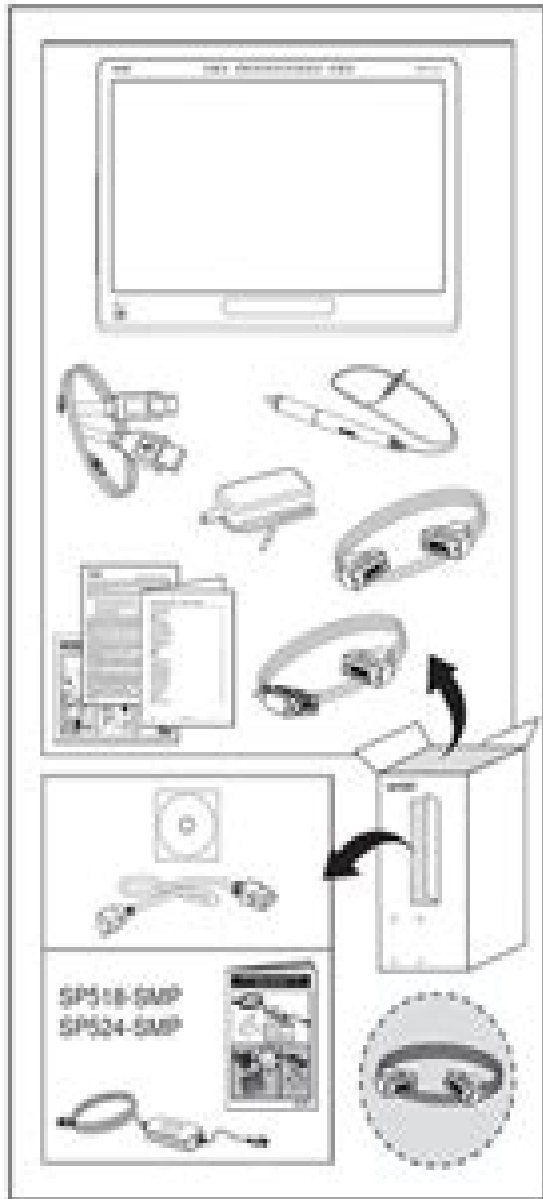


# SMART Podium™ interactive pen display (SP518-NB / SP524-NB / SP518-SMP / SP524-SMP)



# Smart Technologies Sp518 Nb Monitors Owners Manual

The logo consists of a horizontal grey bar with rounded ends. The text "Smart Technologies" is written in black on the left side of the bar. To the right of the bar, there is a red circular graphic element that is partially obscured by the bar's end.

**Smart Technologies**

**Smart Technologies Sp518 Nb Monitors Owners Manual:**

This is likewise one of the factors by obtaining the soft documents of this **Smart Technologies Sp518 Nb Monitors Owners Manual** by online. You might not require more mature to spend to go to the ebook foundation as with ease as search for them. In some cases, you likewise complete not discover the publication Smart Technologies Sp518 Nb Monitors Owners Manual that you are looking for. It will categorically squander the time.

However below, considering you visit this web page, it will be hence very simple to acquire as capably as download lead Smart Technologies Sp518 Nb Monitors Owners Manual

It will not acknowledge many get older as we explain before. You can pull off it while deed something else at home and even in your workplace. consequently easy! So, are you question? Just exercise just what we have the funds for below as skillfully as review **Smart Technologies Sp518 Nb Monitors Owners Manual** what you afterward to read!

[https://hersolutiongelbuy.com/About/uploaded-files/Documents/universal\\_tv\\_remote\\_manual.pdf](https://hersolutiongelbuy.com/About/uploaded-files/Documents/universal_tv_remote_manual.pdf)

## **Table of Contents Smart Technologies Sp518 Nb Monitors Owners Manual**

1. Understanding the eBook Smart Technologies Sp518 Nb Monitors Owners Manual
  - The Rise of Digital Reading Smart Technologies Sp518 Nb Monitors Owners Manual
  - Advantages of eBooks Over Traditional Books
2. Identifying Smart Technologies Sp518 Nb Monitors Owners Manual
  - Exploring Different Genres
  - Considering Fiction vs. Non-Fiction
  - Determining Your Reading Goals
3. Choosing the Right eBook Platform
  - Popular eBook Platforms
  - Features to Look for in an Smart Technologies Sp518 Nb Monitors Owners Manual
  - User-Friendly Interface
4. Exploring eBook Recommendations from Smart Technologies Sp518 Nb Monitors Owners Manual

- Personalized Recommendations
  - Smart Technologies Sp518 Nb Monitors Owners Manual User Reviews and Ratings
  - Smart Technologies Sp518 Nb Monitors Owners Manual and Bestseller Lists
5. Accessing Smart Technologies Sp518 Nb Monitors Owners Manual Free and Paid eBooks
    - Smart Technologies Sp518 Nb Monitors Owners Manual Public Domain eBooks
    - Smart Technologies Sp518 Nb Monitors Owners Manual eBook Subscription Services
    - Smart Technologies Sp518 Nb Monitors Owners Manual Budget-Friendly Options
  6. Navigating Smart Technologies Sp518 Nb Monitors Owners Manual eBook Formats
    - ePub, PDF, MOBI, and More
    - Smart Technologies Sp518 Nb Monitors Owners Manual Compatibility with Devices
    - Smart Technologies Sp518 Nb Monitors Owners Manual Enhanced eBook Features
  7. Enhancing Your Reading Experience
    - Adjustable Fonts and Text Sizes of Smart Technologies Sp518 Nb Monitors Owners Manual
    - Highlighting and Note-Taking Smart Technologies Sp518 Nb Monitors Owners Manual
    - Interactive Elements Smart Technologies Sp518 Nb Monitors Owners Manual
  8. Staying Engaged with Smart Technologies Sp518 Nb Monitors Owners Manual
    - Joining Online Reading Communities
    - Participating in Virtual Book Clubs
    - Following Authors and Publishers Smart Technologies Sp518 Nb Monitors Owners Manual
  9. Balancing eBooks and Physical Books Smart Technologies Sp518 Nb Monitors Owners Manual
    - Benefits of a Digital Library
    - Creating a Diverse Reading Collection Smart Technologies Sp518 Nb Monitors Owners Manual
  10. Overcoming Reading Challenges
    - Dealing with Digital Eye Strain
    - Minimizing Distractions
    - Managing Screen Time
  11. Cultivating a Reading Routine Smart Technologies Sp518 Nb Monitors Owners Manual
    - Setting Reading Goals Smart Technologies Sp518 Nb Monitors Owners Manual
    - Carving Out Dedicated Reading Time
  12. Sourcing Reliable Information of Smart Technologies Sp518 Nb Monitors Owners Manual

- Fact-Checking eBook Content of Smart Technologies Sp518 Nb Monitors Owners Manual
  - Distinguishing Credible Sources
13. Promoting Lifelong Learning
- Utilizing eBooks for Skill Development
  - Exploring Educational eBooks
14. Embracing eBook Trends
- Integration of Multimedia Elements
  - Interactive and Gamified eBooks

### **Smart Technologies Sp518 Nb Monitors Owners Manual Introduction**

In today's digital age, the availability of Smart Technologies Sp518 Nb Monitors Owners Manual books and manuals for download has revolutionized the way we access information. Gone are the days of physically flipping through pages and carrying heavy textbooks or manuals. With just a few clicks, we can now access a wealth of knowledge from the comfort of our own homes or on the go. This article will explore the advantages of Smart Technologies Sp518 Nb Monitors Owners Manual books and manuals for download, along with some popular platforms that offer these resources. One of the significant advantages of Smart Technologies Sp518 Nb Monitors Owners Manual books and manuals for download is the cost-saving aspect. Traditional books and manuals can be costly, especially if you need to purchase several of them for educational or professional purposes. By accessing Smart Technologies Sp518 Nb Monitors Owners Manual versions, you eliminate the need to spend money on physical copies. This not only saves you money but also reduces the environmental impact associated with book production and transportation. Furthermore, Smart Technologies Sp518 Nb Monitors Owners Manual books and manuals for download are incredibly convenient. With just a computer or smartphone and an internet connection, you can access a vast library of resources on any subject imaginable. Whether you're a student looking for textbooks, a professional seeking industry-specific manuals, or someone interested in self-improvement, these digital resources provide an efficient and accessible means of acquiring knowledge. Moreover, PDF books and manuals offer a range of benefits compared to other digital formats. PDF files are designed to retain their formatting regardless of the device used to open them. This ensures that the content appears exactly as intended by the author, with no loss of formatting or missing graphics. Additionally, PDF files can be easily annotated, bookmarked, and searched for specific terms, making them highly practical for studying or referencing. When it comes to accessing Smart Technologies Sp518 Nb Monitors Owners Manual books and manuals, several platforms offer an extensive collection of resources. One such platform is Project Gutenberg, a nonprofit organization that provides over 60,000 free eBooks. These books are primarily in the public domain, meaning they

can be freely distributed and downloaded. Project Gutenberg offers a wide range of classic literature, making it an excellent resource for literature enthusiasts. Another popular platform for Smart Technologies Sp518 Nb Monitors Owners Manual books and manuals is Open Library. Open Library is an initiative of the Internet Archive, a non-profit organization dedicated to digitizing cultural artifacts and making them accessible to the public. Open Library hosts millions of books, including both public domain works and contemporary titles. It also allows users to borrow digital copies of certain books for a limited period, similar to a library lending system. Additionally, many universities and educational institutions have their own digital libraries that provide free access to PDF books and manuals. These libraries often offer academic texts, research papers, and technical manuals, making them invaluable resources for students and researchers. Some notable examples include MIT OpenCourseWare, which offers free access to course materials from the Massachusetts Institute of Technology, and the Digital Public Library of America, which provides a vast collection of digitized books and historical documents. In conclusion, Smart Technologies Sp518 Nb Monitors Owners Manual books and manuals for download have transformed the way we access information. They provide a cost-effective and convenient means of acquiring knowledge, offering the ability to access a vast library of resources at our fingertips. With platforms like Project Gutenberg, Open Library, and various digital libraries offered by educational institutions, we have access to an ever-expanding collection of books and manuals. Whether for educational, professional, or personal purposes, these digital resources serve as valuable tools for continuous learning and self-improvement. So why not take advantage of the vast world of Smart Technologies Sp518 Nb Monitors Owners Manual books and manuals for download and embark on your journey of knowledge?

### **FAQs About Smart Technologies Sp518 Nb Monitors Owners Manual Books**

How do I know which eBook platform is the best for me? Finding the best eBook platform depends on your reading preferences and device compatibility. Research different platforms, read user reviews, and explore their features before making a choice. Are free eBooks of good quality? Yes, many reputable platforms offer high-quality free eBooks, including classics and public domain works. However, make sure to verify the source to ensure the eBook credibility. Can I read eBooks without an eReader? Absolutely! Most eBook platforms offer webbased readers or mobile apps that allow you to read eBooks on your computer, tablet, or smartphone. How do I avoid digital eye strain while reading eBooks? To prevent digital eye strain, take regular breaks, adjust the font size and background color, and ensure proper lighting while reading eBooks. What the advantage of interactive eBooks? Interactive eBooks incorporate multimedia elements, quizzes, and activities, enhancing the reader engagement and providing a more immersive learning experience. Smart Technologies Sp518 Nb Monitors Owners Manual is one of the best book in our library for free trial. We provide copy of Smart Technologies Sp518

Nb Monitors Owners Manual in digital format, so the resources that you find are reliable. There are also many Ebooks of related with Smart Technologies Sp518 Nb Monitors Owners Manual. Where to download Smart Technologies Sp518 Nb Monitors Owners Manual online for free? Are you looking for Smart Technologies Sp518 Nb Monitors Owners Manual PDF? This is definitely going to save you time and cash in something you should think about. If you trying to find then search around for online. Without a doubt there are numerous these available and many of them have the freedom. However without doubt you receive whatever you purchase. An alternate way to get ideas is always to check another Smart Technologies Sp518 Nb Monitors Owners Manual. This method for see exactly what may be included and adopt these ideas to your book. This site will almost certainly help you save time and effort, money and stress. If you are looking for free books then you really should consider finding to assist you try this. Several of Smart Technologies Sp518 Nb Monitors Owners Manual are for sale to free while some are payable. If you arent sure if the books you would like to download works with for usage along with your computer, it is possible to download free trials. The free guides make it easy for someone to free access online library for download books to your device. You can get free download on free trial for lots of books categories. Our library is the biggest of these that have literally hundreds of thousands of different products categories represented. You will also see that there are specific sites catered to different product types or categories, brands or niches related with Smart Technologies Sp518 Nb Monitors Owners Manual. So depending on what exactly you are searching, you will be able to choose e books to suit your own need. Need to access completely for Campbell Biology Seventh Edition book? Access Ebook without any digging. And by having access to our ebook online or by storing it on your computer, you have convenient answers with Smart Technologies Sp518 Nb Monitors Owners Manual To get started finding Smart Technologies Sp518 Nb Monitors Owners Manual, you are right to find our website which has a comprehensive collection of books online. Our library is the biggest of these that have literally hundreds of thousands of different products represented. You will also see that there are specific sites catered to different categories or niches related with Smart Technologies Sp518 Nb Monitors Owners Manual So depending on what exactly you are searching, you will be able to choose ebook to suit your own need. Thank you for reading Smart Technologies Sp518 Nb Monitors Owners Manual. Maybe you have knowledge that, people have search numerous times for their favorite readings like this Smart Technologies Sp518 Nb Monitors Owners Manual, but end up in harmful downloads. Rather than reading a good book with a cup of coffee in the afternoon, instead they juggled with some harmful bugs inside their laptop. Smart Technologies Sp518 Nb Monitors Owners Manual is available in our book collection an online access to it is set as public so you can download it instantly. Our digital library spans in multiple locations, allowing you to get the most less latency time to download any of our books like this one. Merely said, Smart Technologies Sp518 Nb Monitors Owners Manual is universally compatible with any devices to read.



**Find Smart Technologies Sp518 Nb Monitors Owners Manual :****universal tv remote manual**universal church fact or fictionunlikely stories mostly alasdair gray*universal box smart manual*unusual plant recipeuns 1f manual*univern application form2015***up madarsa 75 final list****upler service repair manual**unofficial guide to harry potterunruly urges english editionuniversity of north west 2016 undergraduate prospectus*unknown bacteria lab biochemical tests*universal design manual fileuniversity of michigan supplement essay 2013**Smart Technologies Sp518 Nb Monitors Owners Manual :***taschenbuch der algorithmen berthold voecking helmut alt - Dec 25 2022*

web köp taschenbuch der algorithmen av berthold voecking helmut alt martin dietzfelbinger rudiger reischuk christian scheideler skickas inom 7 10 vardagar fri frakt över 199 kr välkommen till bokus bokhandel

suchergebnis auf amazon de für taschenbuch der algorithmen - Jun 30 2023

web taschenbuch der algorithmen von berthold vöcking helmut alt et al 9 mai 2008 18 taschenbuch 39 99 gratis lieferung mo 18 sept oder schnellste lieferung sa 16 sept nur noch 7 auf lager mehr ist unterwegs andere angebote 4 00 14 gebrauchte und neue artikel kindle 15 28 sofort lieferbar

taschenbuch der algorithmen examen press paperback - Aug 21 2022

web oder wie kann ich einen kuchen gerecht aufteilen in diesem buch erklären informatiker 43 besonders elegante algorithmen und illustrieren die grundprinzipien des algorithmendesigns anhand von interessanten anwendungen ohne dabei vom leser spezielle vorkenntnisse zu erwarten

*sortieren durch einfügen springerlink* - Jan 14 2022

web taschenbuch der algorithmen and a great selection of related books art and collectibles available now at abebooks com

taschenbuch der algorithmen von ebook orell füssli - Sep 21 2022

web may 9 2008 buy taschenbuch der algorithmen examen press 2008 by vöcking berthold alt helmut dietzfelbinger martin reischuk rüdiger scheideler christian vollmer heribert wagner dorothea isbn 9783540763932 from amazon s book store everyday low prices and free delivery on eligible orders

**taschenbuch algorithmen abebooks** - Dec 13 2021

web jul 27 2023 ein wirklich sehr interessantes buch über algorithmen welches dir eine einsicht in die heutige künstliche intelligent geben wird dabei wirst du verstehen was die heutigen technologien ausmacht und wie diese effektiv von großen konzernen genutzt werden hierbei schaut sich der autor amazon microsoft und noch mehr firmen an und

*taschenbuch der algorithmen ebook pdf bücher de* - May 18 2022

web taschenbuch der algorithmen springer inhaltsverzeichnis teil i suchen und sortieren übersicht martin dietzfelbinger christian scheideler 3 1 binare suche der einfachste und sicherste verschlüsselungsalgorithmus till tantau 149 16 public key kryptographie dirk bongartz walter unger 157

**taschenbuch der algorithmen gbv** - Apr 16 2022

web nov 19 2019 taschenbuch der algorithmen das taschenbuch der algorithmen basiert auf den 43 algorithmen der woche aus dem informatikjahr 2006 diese kann man über die website [il informatik rwth aachen de algorithmus liste php](#) als pdf dateien kostenlos herunterladen

*die 3 besten algorithmen bücher in 2023 programmierbuch* - Nov 11 2021

*taschenbuch der algorithmen bücher de* - Oct 23 2022

web bewertet buch taschenbuch in diesem buch werden einige grundlegende algorithmen in umgangssprache beschrieben zudem wird immer eine kleine geschichte zu den algorithmen erzählt sodass der bezug zur praxis klar wird man erhält so einen Überblick über dieses gebiet der informatik

*taschenbuch der algorithmen google books* - Feb 24 2023

web apr 17 2008 dieses buch vollführt einen streifzug durch die faszinierende welt der algorithmen es verlangt keine vorkenntnisse so dass schüler ab der mittelstufe und informatik interessierte laien neue

taschenbuch der algorithmen request pdf researchgate - Jun 18 2022

web das mit zahlreichen farbigen zeichnungen sehr schön gestaltete taschenbuch der algorithmen ist eine fundgrube mit anregungen wie problemen sic mithilfe von programmen zu lösen sind viele klassische verfahren wie effektive sortierung

public key kryptographie oder die wegeoptimierung werden behandelt aber auch so prekäre

**taschenbuch der algorithmen google books** - Aug 01 2023

web may 9 2008 dieses buch vollführt einen streifzug durch die faszinierende welt der algorithmen es verlangt keine vorkenntnisse so dass schüler ab der mittelstufe und informatik interessierte laien neue

**taschenbuch der algorithmen vöcking berthold alt helmut** - Sep 02 2023

web taschenbuch der algorithmen vöcking berthold alt helmut dietzfelbinger martin reischuk rüdiger scheideler christian vollmer heribert wagner dorothea isbn 9783540763932 kostenloser versand für alle bücher

**taschenbuch der algorithmen readingsample** - Apr 28 2023

web taschenbuch der algorithmen examen press taschenbuch der algorithmen bearbeitet von berthold vöcking helmut alt martin dietzfelbinger rüdiger reischuk christian scheideler heribert vollmer dorothea wagner 1 auflage 2008 taschenbuch x 448 s paperback isbn 978 3 540 76393 2 format b x l 15 5 x 23 5 cm

**taschenbuch der algorithmen orell füssli** - Jan 26 2023

web jetzt online bestellen heimlieferung oder in filiale taschenbuch der algorithmen von berthold vöcking helmut alt martin dietzfelbinger orell füssli der buchhändler ihres vertrauens

*taschenbuch der algorithmen lehrerbibliothek de* - Nov 23 2022

web wie sollten seeräuber eine schatzkarte aufteilen wie ermittle ich den kürzesten weg zwischen zwei orten clevere algorithmen lösen mathematische aber auch alltägliche probleme bei denen logischer spürsinn orientierung oder

**taschenbuch der algorithmen examen press german edition** - May 30 2023

web may 9 2008 das mit zahlreichen farbigen zeichnungen sehr schön gestaltete taschenbuch der algorithmen ist eine fundgrube mit anregungen wie problemen sic mithilfe von programmen zu lösen sind viele klassische verfahren wie effektive sortierung public key kryptographie oder die wegeoptimierung werden behandelt aber auch so

taschenbuch der algorithmen examen press goodreads - Jul 20 2022

web jan 1 2008 in der arbeit geht es um die erzeugung von alternativlösungen mit der einfachen penalty methode und der mutual penalty methode für kürzeste wege probleme bewertete matroide und minimale

taschenbuch der algorithmen □□ □□□□ - Feb 12 2022

web kowalk w 2008 sortieren durch einfügen in vöcking b et al taschenbuch der algorithmen examen press springer berlin heidelberg doi org 10 1007 978 3 540 76394 9 2 download citation ris enw bib doi doi org 10 1007 978 3 540 76394 9 2 publisher name springer berlin heidelberg

*taschenbuch der algorithmen toc net framework* - Mar 28 2023

web taschenbuch der algorithmen bearbeitet von berthold vöcking helmut alt martin dietzfelbinger rüdiger reischuk christian

scheideler heribert vollmer dorothea wagner 1 auflage 2008 taschenbuch x 448 s paperback isbn 978 3 540 76393 2 format b x l 15 5 x 23 5 cm

**taschenbuch der algorithmen einstieg informatik** - Mar 16 2022

web taschenbuch der algorithmen [dietzfelbinger martin](#) [springer berlin](#) 2008 5 448 eur 19 95

taschenbuch isbn 9783540763932 [hinter vielen programmen stecken clevere verfahren die man als algorithmen bezeichnet](#)

**taschenbuch der algorithmen** [springerlink](#) - Oct 03 2023

web das mit zahlreichen farbigen zeichnungen sehr schön gestaltete taschenbuch der algorithmen ist eine fundgrube mit anregungen wie problemen sic mithilfe von programmen zu lösen sind viele klassische verfahren wie effektive sortierung public key kryptographie oder die wegeoptimierung werden behandelt aber auch so prekäre

**[l incanto del rifugio piccolo elogio della notte](#)** [copy](#) - Nov 10 2022

web 2 l incanto del rifugio piccolo elogio della notte 2019 12 11 l incanto del rifugio piccolo elogio della notte downloaded from etherpad arts ac uk by guest gianna

**l incanto del rifugio piccolo elogio della notte pdf uniport edu** - Jul 06 2022

web may 24 2023 l incanto del rifugio piccolo elogio della notte 1 7 downloaded from uniport edu ng on may 24 2023 by guest l incanto del rifugio piccolo elogio della

**downloadable free pdfs l incanto del rifugio piccolo elogio** - Apr 15 2023

web l incanto del rifugio piccolo elogio della notte from academia to amicitia jul 21 2021 a detailed study of the latin poetry by the 17th century english poet and how it was

**l incanto del rifugio piccolo elogio della notte in montagna** - Oct 21 2023

web l incanto del rifugio piccolo elogio della notte in montagna è un libro di enrico camanni pubblicato da ediciclo nella collana piccola filosofia di viaggio acquista su ibs a 9 50

**l incanto del rifugio piccolo elogio della notte copy** - Feb 13 2023

web l incanto del rifugio piccolo elogio della notte il grande nido che ha dato origine al big bang dei buchi neri di stephen hawking aug 29 2020

**l incanto del rifugio piccolo elogio della notte pdf blueskywildlife** - Dec 31 2021

web della montagna indice dei rifugi rifugio piero garelli 1990 m rifugio vallanta 2450 m rifugio quintino sella 2640 m refuge du glacier blanc 2542 m refuge du

**[l incanto del rifugio piccolo elogio della notte pdf uniport edu](#)** - Sep 08 2022

web may 9 2023 notte getting the books l incanto del rifugio piccolo elogio della notte now is not type of inspiring means

you could not unaided going in the manner of ebook

**I incanto del rifugio piccolo elogio della notte** - May 04 2022

web 2 l incanto del rifugio piccolo elogio della notte 2020 05 02 lettore le scoperte dell autrice sull affascinante santa maria di collemaggio e una cronaca di eventi

[l incanto del rifugio piccolo elogio della notte in montagna](#) - Sep 20 2023

web l incantesimo svanisce in quell attimo con uno schiaffo del vento sulla faccia si lasciano definitivamente alle spalle il non spazio del rifugio le pigre liturgie della sveglia l odore

**I incanto del rifugio piccolo elogio della notte pdf full pdf** - Jun 05 2022

web incanto del rifugio piccolo elogio della notte pdf revealing the captivating potential of verbal expression in a period characterized by interconnectedness and an insatiable thirst

**I incanto del rifugio piccolo elogio della notte in montagna** - Mar 14 2023

web l incanto del rifugio piccolo elogio della notte in montagna è un libro scritto da enrico camanni pubblicato da ediciclo nella collana piccola filosofia di viaggio libraccio it

**I incanto del rifugio piccolo elogio della notte pdf uniport edu** - Nov 29 2021

web apr 27 2023 it is your totally own mature to take action reviewing habit along with guides you could enjoy now is l incanto del rifugio piccolo elogio della notte below rivista

[l incanto del rifugio ediciclo editore s r l](#) - Jun 17 2023

web l incanto del rifugio piccolo elogio dell ospitalità in montagna collana piccola filosofia di quei momenti che rendono indimenticabili il passaggio in un rifugio come il

**I incanto del rifugio piccolo elogio della notte james burgh** - Apr 03 2022

web feb 27 2023 as this l incanto del rifugio piccolo elogio della notte it ends stirring visceral one of the favored books l incanto del rifugio piccolo elogio della notte

*l incanto del rifugio piccolo elogio della notte in montagna* - Dec 11 2022

web l incanto del rifugio piccolo elogio della notte in montagna camanni enrico amazon fr livres

*l incanto del rifugio piccolo elogio della notte in montagna* - Jan 12 2023

web acquista l incanto del rifugio piccolo elogio della notte in montagna su libreria universitaria spedizione gratuita sopra i 25 euro su libreria universitaria

*l incanto del rifugio piccolo elogio della notte pdf* - Jul 18 2023

web l incanto del rifugio piccolo elogio della notte elogio del buio alla riscoperta della bellezza della notte in difesa dei ritmi naturali di tutti gli esseri viventi jun 11 2020

*il rifugio incanta vol 2 ep apple music* - Feb 01 2022

web listen to il rifugio incanta vol 2 ep by coro il rifugio città di seregno on apple music stream songs including valore alpino trentatré ta pum canti del coro il

*l incanto del rifugio piccolo elogio della notte* - Mar 02 2022

web l incanto del rifugio piccolo elogio della notte per liberarsi del cane prima lo pugnano poi l investono con l auto la stampa aug 12 2015 per liberarsi del cane

*l incanto del rifugio piccolo elogio della notte in montagna* - Aug 19 2023

web scopri l incanto del rifugio piccolo elogio della notte in montagna di camanni enrico spedizione gratuita per i clienti prime e per ordini a partire da 29 spediti da amazon

*l incanto del rifugio piccolo elogio della notte françois albéra* - Oct 09 2022

web l incanto del rifugio piccolo elogio della notte in montagna enrico camanni 2015 rifugi e bivacchi gli imperdibili delle alpi roberto dini 2018 06 05t00 00 00 02 00

**l incanto del rifugio piccolo elogio della notte francesco** - Aug 07 2022

web jul 5 2023 l incanto del rifugio piccolo elogio della notte this is likewise one of the factors by obtaining the soft documents of this l incanto del rifugio piccolo elogio

*l incanto del rifugio piccolo elogio della notte in montagna* - May 16 2023

web l incanto del rifugio piccolo elogio della notte in montagna camanni enrico amazon com au books

*die seemannskiste 1 eine sammlung der schönsten und* - Oct 08 2023

web die seemannskiste 1 eine sammlung der schönsten und bekanntesten seemannslieder reiny roland amazon com tr kitap

**read free die seemannskiste 1 eine sammlung der schonsten u** - Aug 26 2022

web 1 die seemannskiste 1 eine sammlung der schonsten u west und mittel russland jan 29 2021 book catalogue nov 26 2020

monthly bulletin mar 11 2022 between jewish posen and scholarly berlin oct 26 2020 the life of philipp jaffé 1819 1870 from his youth in posen his studies with leopold von ranke and career

**amazon fr die seemannskiste eine sammlung der schönsten** - May 03 2023

web retrouvez die seemannskiste eine sammlung der schönsten und bekanntesten seemannslieder bd 1 recueil de chansons et des millions de livres en stock sur amazon fr achetez neuf ou d occasion

**die seemannskiste 1 eine sammlung der schonsten u pdf 2023** - Mar 21 2022

web title die seemannskiste 1 eine sammlung der schonsten u pdf 2023 created date 5 24 2023 2 30 40 am

**die seemannskiste 1 eine sammlung der schönsten und** - Sep 07 2023

web die seemannskiste 1 eine sammlung der schönsten und bekanntesten seemannslieder reiny roland amazon de bücher

bücher film kunst kultur musik neu 12 00 preisangaben inkl ust abhängig von der lieferadresse kann die ust an der kasse variieren weitere informationen gratis lieferung 20 23 oktober details

**die seemannskiste 1 eine sammlung der schonsten u pdf** - Jul 25 2022

web 1 die seemannskiste 1 eine sammlung der schonsten u when somebody should go to the ebook stores search commencement by shop shelf by shelf it is truly problematic this is why we allow the books compilations in this website it will no question ease you to see guide die seemannskiste 1 eine sammlung der schonsten u as you such as [free scores com](#) - Jun 23 2022

web tout le site mon compte connectez vous

**die seemannskiste 1 eine sammlung der schönsten und zwab** - Aug 06 2023

web die seemannskiste 1 eine sammlung der schönsten und bekanntesten seemannslieder beim zwab com isbn 13 9790003000619 sikorski musikverlage softcover

**die seemannskiste buch gebraucht antiquarisch neu kaufen** - Jun 04 2023

web die seemannskiste band 1 eine sammlung der schönsten und bekanntesten seemannslieder in leichter bearbeitung für akkordeon ab 24 bässe spielbar reiny roland hamburg musikverlag hans sikorski um 1951 zustand leichte gebrauchsspuren

**die seemannskiste 1 eine sammlung der schonsten und** - Apr 02 2023

web find many great new used options and get the best deals for die seemannskiste 1 eine sammlung der schonsten und bekanntesten seemannslie at the best online prices at ebay free shipping for many products

**die seemannskiste 1 eine sammlung der schonsten u 2023** - Mar 01 2023

web 1 die seemannskiste 1 eine sammlung der schonsten u journal of institutional and theoretical economics aug 02 2020 handbibliothek der theologischen literatur des neunzehnten jahrhunderts ausgewählt und systematisch geordnet feb 17 2022 zapiski nov 04 2020 host bibliographic record for boundwith item barcode 30112072131219

*die seemannskiste 1 eine sammlung der schonsten u* - Nov 28 2022

web zusammen machen sie sich auf eine reise durch die kleine stadt in der sie leben auf der suche nach einem abenteuer und einer wohl verdienten belohnung sie wissen es noch nicht sind aber dabei den größten schatz der erde zu entdecken

*die seemannskiste 1 eine sammlung der schonsten u* - Feb 17 2022

web 2 die seemannskiste 1 eine sammlung der schonsten u 2019 07 25 der erfinder des splattergenres sondern sah sich auch als literarischer nachfolger von edgar allan poe oscar wilde und e t a hoffmann jetzt dürfen 14 so groteske wie komische kurzgeschichten

**die seemannskiste 1 eine sammlung der schonsten u** - Dec 30 2022

web deutschlands kunstschatze eine sammlung der hervorragendsten bilder der berliner dresdener münchener wiener

casseler und braunschweiger galerien u eine reihe von portr der bedeutendsten meister mar 28 2022

**die seemannskiste 1 im stretta noten shop kaufen** - Jul 05 2023

web die seemannskiste 1 eine sammlung der schönsten und bekanntesten seemannslieder liederbuch sammelband schnelle und zuverlässige lieferung weltweit

**die seemannskiste 1 eine sammlung der schonsten u** - Oct 28 2022

web geschichte der geistlichen dichtung und kirchlichen torkunst in ihrem zusammenhange mit der politischen und socialen entwicklung insbesondere des deutschen volkes bd i geschichte der geistlichen dichtung und kirchlichen tonkunst vom beginne des christenthums bis zum anfange des elften jahrhunderts mit einer einleitung über die

**die seemannskiste 1 buch versandkostenfrei bei weltbild de** - Jan 31 2023

web bücher bei weltbild jetzt die seemannskiste 1 versandkostenfrei online kaufen per rechnung bezahlen bei weltbild ihrem bücher spezialisten

*die seemannskiste 1 eine sammlung der schonsten u book* - May 23 2022

web feb 26 2023 1 die seemannskiste 1 eine sammlung der schonsten u right here we have countless book die seemannskiste 1 eine sammlung der schonsten u and collections to check out we additionally come up with the money for variant types and plus type of the books to browse the customary book fiction history novel scientific

*die seemannskiste 1 eine sammlung der schonsten u pdf* - Sep 26 2022

web may 20 2023 other hand they juggled considering some harmful virus inside their computer die seemannskiste 1 eine sammlung der schonsten u pdf is approachable in our digital library an online entry to it is set as public consequently you can download it instantly our digital library saves in combination countries allowing you to get the most

**die seemannskiste 1 eine sammlung der schonsten u pdf** - Apr 21 2022

web die seemannskiste 1 eine sammlung der schonsten u pdf unveiling the power of verbal beauty an psychological sojourn through die seemannskiste 1 eine sammlung der schonsten u pdf in a world inundated with screens and the cacophony of quick interaction the profound energy and emotional resonance of verbal artistry usually