

SmartLase 110i and 110si / SmartLase 130i and 130si



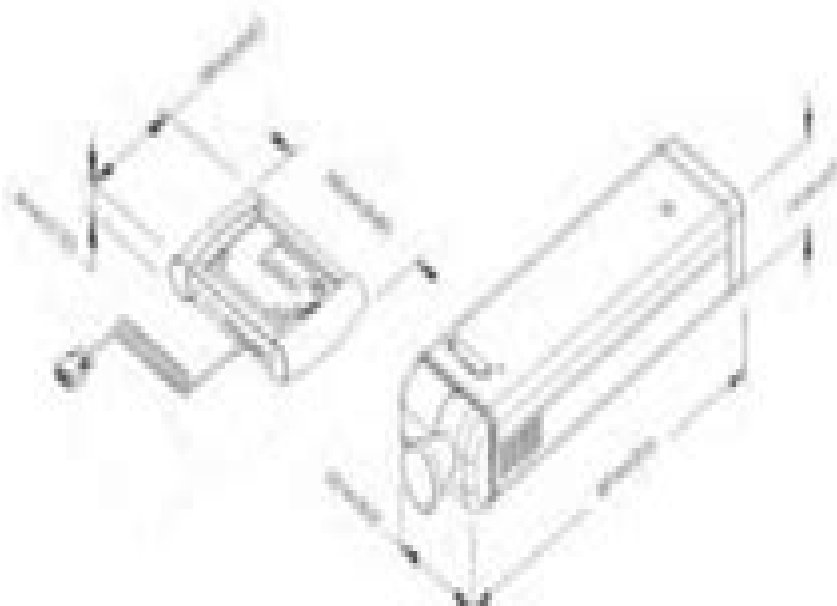
The patented and proven dot matrix technology enables dot standing point control for a wide variety of lot and date code applications on the food and beverage industries. The SmartLase 110 is the ideal solution for 1 to 3 line applications. The 30 Watt improved fibre coupled CO₂ laser is optimal for applications that demand higher speed and flexibility than a 10 Watt can deliver.

Main benefits

- Dot matrix technology enables high speed control on a wide variety of materials including dry coated items, plastic and glass
- Proven dot matrix technology for up to 3 line laser performance is designed for low cost and high speed production applications
- 30 Watt output delivers up to 1 meter length
- Small size and compact configuration
- Improved finished product quality with easy to understand code

Print features

- 30 Watt fibre coupled CO₂ laser up to 3000 dots per second
- 30 Watt fibre coupled CO₂ laser up to 3000 dots per second
- 30 Watt fibre coupled CO₂ laser up to 3000 dots per second
- 30 Watt fibre coupled CO₂ laser up to 3000 dots per second
- 30 Watt fibre coupled CO₂ laser up to 3000 dots per second
- 30 Watt fibre coupled CO₂ laser up to 3000 dots per second
- 30 Watt fibre coupled CO₂ laser up to 3000 dots per second
- 30 Watt fibre coupled CO₂ laser up to 3000 dots per second
- 30 Watt fibre coupled CO₂ laser up to 3000 dots per second
- 30 Watt fibre coupled CO₂ laser up to 3000 dots per second



Smartlase 130i Manual

Didier Musso



Smartlase 130i Manual:

Embark on a breathtaking journey through nature and adventure with Explore with is mesmerizing ebook, Natureis Adventure: **Smartlase 130i Manual** . This immersive experience, available for download in a PDF format (PDF Size: *), transports you to the heart of natural marvels and thrilling escapades. Download now and let the adventure begin!

<https://hersolutiongelbuy.com/book/virtual-library/default.aspx/Wiring%20Diagram%20Abs%20Cherokee.pdf>

Table of Contents Smartlase 130i Manual

1. Understanding the eBook Smartlase 130i Manual
 - The Rise of Digital Reading Smartlase 130i Manual
 - Advantages of eBooks Over Traditional Books
2. Identifying Smartlase 130i Manual
 - Exploring Different Genres
 - Considering Fiction vs. Non-Fiction
 - Determining Your Reading Goals
3. Choosing the Right eBook Platform
 - Popular eBook Platforms
 - Features to Look for in an Smartlase 130i Manual
 - User-Friendly Interface
4. Exploring eBook Recommendations from Smartlase 130i Manual
 - Personalized Recommendations
 - Smartlase 130i Manual User Reviews and Ratings
 - Smartlase 130i Manual and Bestseller Lists
5. Accessing Smartlase 130i Manual Free and Paid eBooks
 - Smartlase 130i Manual Public Domain eBooks
 - Smartlase 130i Manual eBook Subscription Services
 - Smartlase 130i Manual Budget-Friendly Options
6. Navigating Smartlase 130i Manual eBook Formats

- ePub, PDF, MOBI, and More
- Smartlase 130i Manual Compatibility with Devices
- Smartlase 130i Manual Enhanced eBook Features
- 7. Enhancing Your Reading Experience
 - Adjustable Fonts and Text Sizes of Smartlase 130i Manual
 - Highlighting and Note-Taking Smartlase 130i Manual
 - Interactive Elements Smartlase 130i Manual
- 8. Staying Engaged with Smartlase 130i Manual
 - Joining Online Reading Communities
 - Participating in Virtual Book Clubs
 - Following Authors and Publishers Smartlase 130i Manual
- 9. Balancing eBooks and Physical Books Smartlase 130i Manual
 - Benefits of a Digital Library
 - Creating a Diverse Reading Collection Smartlase 130i Manual
- 10. Overcoming Reading Challenges
 - Dealing with Digital Eye Strain
 - Minimizing Distractions
 - Managing Screen Time
- 11. Cultivating a Reading Routine Smartlase 130i Manual
 - Setting Reading Goals Smartlase 130i Manual
 - Carving Out Dedicated Reading Time
- 12. Sourcing Reliable Information of Smartlase 130i Manual
 - Fact-Checking eBook Content of Smartlase 130i Manual
 - Distinguishing Credible Sources
- 13. Promoting Lifelong Learning
 - Utilizing eBooks for Skill Development
 - Exploring Educational eBooks
- 14. Embracing eBook Trends
 - Integration of Multimedia Elements
 - Interactive and Gamified eBooks

Smartlase 130i Manual Introduction

In the digital age, access to information has become easier than ever before. The ability to download Smartlase 130i Manual has revolutionized the way we consume written content. Whether you are a student looking for course material, an avid reader searching for your next favorite book, or a professional seeking research papers, the option to download Smartlase 130i Manual has opened up a world of possibilities. Downloading Smartlase 130i Manual provides numerous advantages over physical copies of books and documents. Firstly, it is incredibly convenient. Gone are the days of carrying around heavy textbooks or bulky folders filled with papers. With the click of a button, you can gain immediate access to valuable resources on any device. This convenience allows for efficient studying, researching, and reading on the go. Moreover, the cost-effective nature of downloading Smartlase 130i Manual has democratized knowledge. Traditional books and academic journals can be expensive, making it difficult for individuals with limited financial resources to access information. By offering free PDF downloads, publishers and authors are enabling a wider audience to benefit from their work. This inclusivity promotes equal opportunities for learning and personal growth. There are numerous websites and platforms where individuals can download Smartlase 130i Manual. These websites range from academic databases offering research papers and journals to online libraries with an expansive collection of books from various genres. Many authors and publishers also upload their work to specific websites, granting readers access to their content without any charge. These platforms not only provide access to existing literature but also serve as an excellent platform for undiscovered authors to share their work with the world. However, it is essential to be cautious while downloading Smartlase 130i Manual. Some websites may offer pirated or illegally obtained copies of copyrighted material. Engaging in such activities not only violates copyright laws but also undermines the efforts of authors, publishers, and researchers. To ensure ethical downloading, it is advisable to utilize reputable websites that prioritize the legal distribution of content. When downloading Smartlase 130i Manual, users should also consider the potential security risks associated with online platforms. Malicious actors may exploit vulnerabilities in unprotected websites to distribute malware or steal personal information. To protect themselves, individuals should ensure their devices have reliable antivirus software installed and validate the legitimacy of the websites they are downloading from. In conclusion, the ability to download Smartlase 130i Manual has transformed the way we access information. With the convenience, cost-effectiveness, and accessibility it offers, free PDF downloads have become a popular choice for students, researchers, and book lovers worldwide. However, it is crucial to engage in ethical downloading practices and prioritize personal security when utilizing online platforms. By doing so, individuals can make the most of the vast array of free PDF resources available and embark on a journey of continuous learning and intellectual growth.

FAQs About Smartlase 130i Manual Books

How do I know which eBook platform is the best for me? Finding the best eBook platform depends on your reading preferences and device compatibility. Research different platforms, read user reviews, and explore their features before making a choice. Are free eBooks of good quality? Yes, many reputable platforms offer high-quality free eBooks, including classics and public domain works. However, make sure to verify the source to ensure the eBook credibility. Can I read eBooks without an eReader? Absolutely! Most eBook platforms offer web-based readers or mobile apps that allow you to read eBooks on your computer, tablet, or smartphone. How do I avoid digital eye strain while reading eBooks? To prevent digital eye strain, take regular breaks, adjust the font size and background color, and ensure proper lighting while reading eBooks. What the advantage of interactive eBooks? Interactive eBooks incorporate multimedia elements, quizzes, and activities, enhancing the reader engagement and providing a more immersive learning experience. Smartlase 130i Manual is one of the best book in our library for free trial. We provide copy of Smartlase 130i Manual in digital format, so the resources that you find are reliable. There are also many Ebooks of related with Smartlase 130i Manual. Where to download Smartlase 130i Manual online for free? Are you looking for Smartlase 130i Manual PDF? This is definitely going to save you time and cash in something you should think about.

Find Smartlase 130i Manual :

[wiring diagram abs cherokee](#)

wiring diagram toyota avenis verso 2az fe

[wiring diagrams for 1999 honda civic si](#)

[wiring diagram golf chico](#)

wiring diagram for harley fuel gauge

wiring diagram for dual 4 ohm subwoofer

[wiring diagram for a 1990 toyota landcruiser 2 4](#)

[wiring diagram for kawasaki vulcan 5ltd](#)

[wiring diagram air conditioner](#)

[wiring diagram headlamp corolla twincam](#)

[wiring diagram for 92 honda prelude](#)

[wiring diagram for 20suzuki 8vl](#)

[wiring diagram toyota auris](#)

[wiring diagrams for lighting circuits](#)

[wiring diagram toyota corolla automatic transmission](#)

Smartlase 130i Manual :

world class quality using design of experiments to make it - Dec 01 2021

world class quality using design of experiments to mak - Nov 12 2022

web part 1 introduction the need for objectives and benefits of design of experiments fads potions nostrums of the quality movement in the last 50 years a powerful tool kit for the

[world class quality using design of experiments to mak](#) - Aug 09 2022

web reseña de world class quality using design of experiments to make it happen de keki r bothe y adi k bothe ra ximhai vol 1 núm 2 mayo agosto 2005

world class quality using design of experiments to make it - Sep 10 2022

web jan 4 1999 world class quality using design of experiments to make it happen keki r bhote adi bhote 4 10 21 ratings1 review this revised expanded best seller is a

world class quality using design of experiments to make it - Apr 05 2022

web the book that crowned the quality revolution with over 100 000 copies sold since 1991 is poised to make it happen all over again this new and expanded edition of the widely

world class quality using design of experiments to mak - Jul 08 2022

web world class quality using design of experiments to make it happen authors keki r bhote adi k bhote summary world class quality second edition is a best selling

world class quality using design of experiments to - Dec 13 2022

web semantic scholar extracted view of world class quality using design of experiments to make it happen by kymm k hockalan skip to search form skip to main world

world class quality using design of experiments to make it - Feb 15 2023

web the amount of information they obtain design of experiments apr 28 2023 learn the fundamentals of design of experiments this text will both teach you the foundation

6 4 6 redalyc - Jun 07 2022

web world class quality using design of experiments to make it happen keki r bhote american management association 1999 business economics 487 pages 1 review

world class quality using design of experiments to make it - Aug 21 2023

web feb 21 2018 1993 world class quality using design of experiments to make it happen journal of quality technology vol 25 no 2 pp 152 153

world class quality using design of experiments to make it - Apr 17 2023

web aug 31 2005 two well known design of experiments methodologies such as taguchi methods tm and shainin systems ss are compared and analyzed in this study

pdf world class quality using design of experiments - Jul 20 2023

web this new and expanded edition of the widely influential world class quality not only provides more techniques and case studies but also extends them into new areas such

world class quality using design of experiments to - Oct 23 2023

web oct 1 2002 world class quality using design of experiments to make it happen was first published in 1991 and the enhanced second edition includes a number of case

enhancement for greenhouse sustainability using tomato - Jan 02 2022

world class quality using design of experiments to make it - Feb 03 2022

web nov 26 1991 world class quality using design of experiments to make it happen hardcover november 26 1991 by keki bhote author 4 7 4 7 out of 5 stars 49 ratings

world class quality using design of experiments to make it - Jan 14 2023

web nov 26 1991 keki bhote 3 80 10 ratings 2 reviews bhote a highly experienced quality consultant presents the design of experiments tools created by quality guru dorian

world class quality using design of experiments to make - May 18 2023

web world class quality using design of experiments to make it happen keki r bhote amacom 1991 experimental design 224 pages bhote a highly experienced quality

world class quality using design of experiments to make it happen - May 06 2022

web may 1 2005 world class quality using design of experiments to make it happen 438 los administradores de cualquier ámbito manufactura administración finanzas et c sin

world class quality using design of experiments to make it - Oct 11 2022

web 0 ratings 0 reviews ninety percent of companies can't solve their chronic quality problems despite the widespread use of the powerful tool design of experiments doe

world class quality using design of experiments to make it happen - Mar 04 2022

web nov 22 2023 monitoring the occurrence of plant diseases and pests such as fungi viruses nematodes and insects in crops and collecting environmental information such as

world class quality using design of experiments to make it - Jun 19 2023

web nov 26 1991 world class quality using design of experiments to make it happen keki r bhote adi k bhote published 26 november 1991 business the book that

world class quality using design of experiments to make it - Sep 22 2023

web world class quality using design of experiments to make it happen book review published in ieee electrical insulation magazine volume 16 issue 3 may june 2000

world class quality using design of experiments to make it - Mar 16 2023

web mar 12 2012 1994 world class quality using design of experiments to make it happen technometrics vol 36 no 4 pp 425 426

parisian life 2024 mini wall calendar calendars com - Sep 24 2022

web parisian life 2024 mini wall calendar free shipping on qualifying orders shop our huge selection at calendars com

a parisian life 2019 calendar wall calendars amazon com au - Mar 31 2023

web a parisian life 2019 calendar wall calendars amazon com au skip to main content com au delivering to sydney 1171 sign in to update stationery office

graphique parisian life 2024 mini wall calendar walmart com - May 21 2022

web buy graphique parisian life 2024 mini wall calendar at walmart com

parisian life 2019 mini wall calendar pdf uniport edu - Apr 19 2022

web may 22 2023 proclamation parisian life 2019 mini wall calendar can be one of the options to accompany you subsequent to having further time it will not waste your time

a parisian life 2019 calendar amazon com au - Sep 05 2023

web a parisian life 2019 calendar graphique de france amazon com au stationery office products

parisian life 2019 mini wall calendar amazon de - Jul 03 2023

web jul 5 2018 parisian life 2019 mini wall calendar graphique amazon de books skip to main content de hello select your address all select the department you

a parisian life 2019 calendar amazon ca - Aug 04 2023

web mar 1 2018 a parisian life 2019 calendar graphique de france amazon ca office products skip to main content ca delivering to balzac t4b 2t update location office

a parisian life 2023 wall calendar walmart com - Feb 15 2022

web arrives by wed dec 14 buy a parisian life 2023 wall calendar at walmart com

a parisian life 2019 mini wall calendar booktopia - Oct 26 2022

web booktopia has a parisian life 2019 mini wall calendar 2019 mini wall calendar by graphique de france buy a discounted mini wall calendar of a parisian life 2019

graphique 2024 a parisian life mini wall calendar 7 x 7 - May 01 2023

web compare with similar items this item graphique 2024 a parisian life mini wall calendar 7 x 7 thick paper home office organizer large monthly grid 3 languages

parisian life 2024 mini wall calendar yahoo shopping - Jun 21 2022

web paris has always been an inspiration to fine art photographers to create visual poems that evoke a sense of magic delight nostalgia and romance this calendar celebrates the

amazon com 2019 paris wall calendar - Jun 02 2023

web paris wall calendar 2019 by mead 22 calendar currently unavailable paris in art 2019 wall calendar by the metropolitan museum of art 10 calendar temporarily out of

parisian life a 2019 square wall calendar bigamart - Jul 23 2022

web building supplies fireplaces electrical heavy equipment agricultural supplies kitchen bath fixtures mowers outdoor power tools painting supplies

parisian life a 2019 square wall calendar calendar - Dec 28 2022

web buy parisian life a 2019 square wall calendar by graphique isbn 9781477054031 from amazon s book store free uk delivery on eligible orders

parisian life 2024 wall calendar calendars com - Dec 16 2021

web this calendar celebrates the enchanting spirit of one of the world s most iconic cities let georgianna lane s dreamlike images in this collection take you on a leisurely tour of the

amazon com customer reviews graphique a parisian life mini - Nov 26 2022

web find helpful customer reviews and review ratings for graphique a parisian life mini wall calendar 16 month 2021 wall calendar with historic french landmark photographs 3

59 parisian living rooms to make you swoon curated interior - Jan 17 2022

web oct 12 2023 parisian brown leather sofa 7 marble fireplace and green velvet ottoman 8 mustard yellow sofa and cane accent chairs 9 pink louis fauteuil accent chairs and

graphique a parisian life mini wall calendar 7 inch x 7 inch - Feb 27 2023

web buy graphique a parisian life mini wall calendar 7 inch x 7 inch online on amazon ae at best prices fast and free shipping

free returns cash on delivery available on eligible

amazon com paris 2019 wall calendar - Jan 29 2023

web amazon com paris 2019 wall calendar skip to main content us hello select your address all

paris parisian birthday party ideas pinterest - Mar 19 2022

web may 5 2023 paris party ideas for teens and kids including decoration food diy activities photo booths table settings free printables and more see more ideas about parisian

graphique 2023 a parisian life mini wall calendar 7 x 7 - Nov 14 2021

web dec 17 2021 shop amazon for graphique 2023 a parisian life mini wall calendar 7 x 7 thick paper home office organizer large monthly grid 3 languages

2024 a parisian life mini wall calendar calendar club - Aug 24 2022

web description step into the enchanting world of paris with our 2024 a parisian life mini wall calendar designed to capture the essence of this iconic city this calendar is a visual

graphique a parisian life wall calendar 16 month 2019 wall - Oct 06 2023

web jul 24 2018 4 6 172 ratings size wall wall mini see available options style 2019 2019 2021 about this item graphique s a parisian life 2019 wall calendar features

what to expect after weight loss surgery webmd - Feb 08 2023

web jan 6 2022 weight loss bariatric surgery helps you lose weight and lowers your risk of medical problems associated with obesity bariatric surgery contributes to weight loss

weight loss surgery is it an option for you mayo clinic - Mar 09 2023

web apr 12 2023 after losing so much weight you can expect changes in your body shape and contour these changes may include excess or saggy skin and loss of muscle

weight loss surgery afterwards nhs - Apr 10 2023

web sleeve gastrectomy is becoming a more popular weight loss surgery people who get sleeve gastrectomy lose about 40 of their extra weight on average people lose 60

okay i ve gone through weight loss surgery youtube - Aug 02 2022

web may 28 2018 this is by far the exception and not the norm weight loss after weight loss surgery is consistent and rapid primarily with the gastric bypass and sleeve

okay i ve gone through weight loss surgery now - Aug 14 2023

web apr 20 2009 youve been provided with a very powerful tool to help you with your weight loss goals but how will you make sure you use your tool fully how can you make sure

what if i lose too much weight after weight loss surgery - May 31 2022

web aug 18 2023 weight loss surgery helps you lose weight and lowers your risk of medical problems brought on by obesity including cancer heart disease high blood pressure

tips for losing weight after weight loss surgery - May 11 2023

web oct 13 2022 weight loss surgery changes the shape and function of your digestive system this surgery may help you lose weight and manage medical conditions related

pdf okay ive gone through weight loss surgery now what - Dec 26 2021

gastric sleeve surgery in turkey gastic by pass surgery in turkey - Jul 01 2022

web apr 10 2022 your weight if you are still losing weight your skin may sag more after the surgery if you gain the weight back you could stress the skin where you had the

guide to types of weight loss surgery mayo clinic - Dec 06 2022

web okay i ve gone through weight loss surgery now what do i do a guide for the weeks months and years following bariatric surgery moff joanne m free download

okay i ve gone through weight loss surgery now what do i do - Oct 04 2022

web the road to losing weight is not an easy one especially if you opt to undergo weight loss surgery author joanne m moff pa c presents a support book to he

okay i ve gone through weight loss surgery - Jun 12 2023

web you can usually leave hospital 1 to 3 days after having weight loss surgery you ll be able to start to return to your normal activities 4 to 6 weeks later but you ll need to make long

okay i ve gone through weight loss surgery now - Jan 27 2022

web apr 20 2009 book summary you have undergone the lap band roux en y or biliopancreatic diversion with without duodenal switch bpd what happens next is up

considering plastic surgery after a large weight loss medlineplus - Apr 29 2022

web diet weight loss books share to facebook share to pinterest share to twitter isbn 1441524045 isbn13 9781441524041

okay i ve gone through weight loss

[okay i ve gone through weight loss surgery now what do i](#) - Sep 03 2022

web our professional staff are available and happy to answer your every question we d love to help you get all the information you need to in order to make the best choice write us

weight loss surgery considerations mayo clinic health system - Mar 29 2022

web book synopsis okay i ve gone through weight loss surgery now what do i do by joanne m moff pa c

okay i ve gone through weight loss surgery now what do i - Oct 24 2021

okay i ve gone through weight loss surgery now what do i - Jul 13 2023

web jun 23 2008 moff presents a thorough post operative guide to bariatric surgery for patients that includes information about eating drinking exercise and potential

okay i ve gone through weight loss surgery now what do i - Nov 24 2021

okay i ve gone through weight loss surgery now what do i - Feb 25 2022

web okay i ve gone through weight loss surgery now what do i do joanne moff pocket facts astronomy space travel deserts mountains pack 3

life after weight loss surgery medlineplus medical - Jan 07 2023

web apr 20 2009 discover okay i ve gone through weight loss surgery now what do i do by joanne m moff pa c and millions of other books available at barnes noble

okay i ve gone through weight loss surgery now what do i - Nov 05 2022

web okay i ve gone through weight loss surgery now what do i do book read reviews from world s largest community for readers book summaryyou have un