

- One (1) 1n Farad Capacitor
- 741 Op-Amp
- Multisim Version 11, by National Instruments
- Oscilloscope

III. CIRCUIT DIAGRAM:

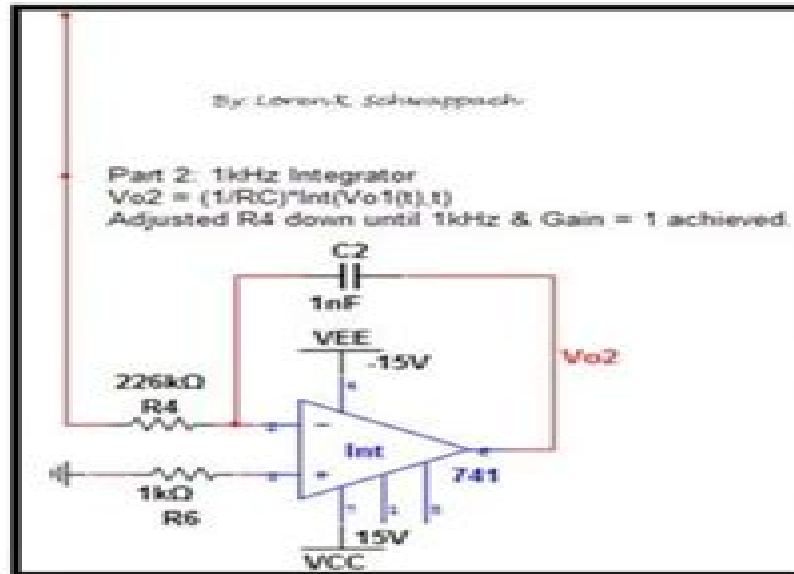


Figure 4: Multisim 1 KHz Integrator, designed the same as the integrator in lab #1 but using different RC values.

IV. RESULTS:

As shown by Figure 5 the integrator correctly produced a 15 Vp signal oscillating at 1k Hertz. The oscillator and integrator outputs are shown side by side on the oscilloscope display Figure 6.

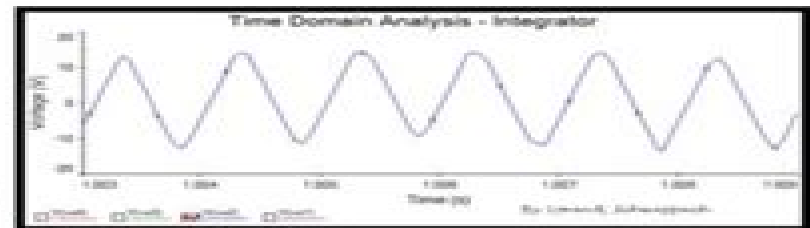


Figure 5: Multisim transient analysis results of integrator output.

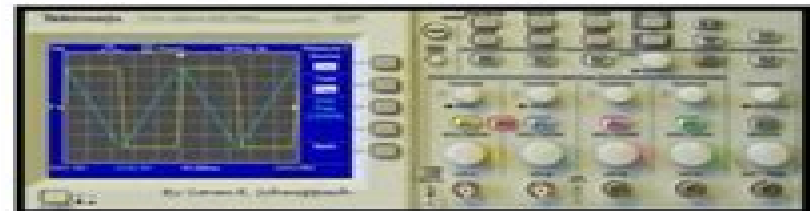


Figure 6: Oscilloscope results of integrator output (blue) and oscillator output yellow.

C. PART 3 – STEP GENERATOR AND RESET CIRCUIT

The step generator took in the 1k Hertz oscillator square wave output and generated a rising step pattern. The number of steps produced was dependent upon the input voltage provided to the reset circuit (comparator). The two diodes (D1 and D2) allowed rectification of the oscillator output and ensured that the step generators output increased each cycle of the oscillator until finally reset by the reset circuit.

The reset circuit compared the step generators output with an externally provided (via voltage divider) bias to allow the resetting of transistor Q2. When transistor Q2 is conducting it is in the reset condition, and provides a path for current around capacitor C4 (not yet shown). When C4 discharges the output and input of the step generator equalize resetting the step generator.

I. CALCULATIONS:

No calculations were required, because the step generator and reset circuitry was provided by the instructor.

However, modifications to the step generator and reset circuits were required to component availability (capacitors). Finally the instructors design was improved by using variable resistors (potentiometers) in Multisim,

Power Electronics Lab Manual

Rachel S Tattersall



Power Electronics Lab Manual:

Reviewing **Power Electronics Lab Manual**: Unlocking the Spellbinding Force of Linguistics

In a fast-paced world fueled by information and interconnectivity, the spellbinding force of linguistics has acquired newfound prominence. Its capacity to evoke emotions, stimulate contemplation, and stimulate metamorphosis is truly astonishing. Within the pages of "**Power Electronics Lab Manual**," an enthralling opus penned by a highly acclaimed wordsmith, readers embark on an immersive expedition to unravel the intricate significance of language and its indelible imprint on our lives. Throughout this assessment, we shall delve to the book is central motifs, appraise its distinctive narrative style, and gauge its overarching influence on the minds of its readers.

https://hersolutiongelbuy.com/book/Resources/index.jsp/Trailblazer_2004_Manual.pdf

Table of Contents Power Electronics Lab Manual

1. Understanding the eBook Power Electronics Lab Manual
 - The Rise of Digital Reading Power Electronics Lab Manual
 - Advantages of eBooks Over Traditional Books
2. Identifying Power Electronics Lab Manual
 - Exploring Different Genres
 - Considering Fiction vs. Non-Fiction
 - Determining Your Reading Goals
3. Choosing the Right eBook Platform
 - Popular eBook Platforms
 - Features to Look for in an Power Electronics Lab Manual
 - User-Friendly Interface
4. Exploring eBook Recommendations from Power Electronics Lab Manual
 - Personalized Recommendations
 - Power Electronics Lab Manual User Reviews and Ratings
 - Power Electronics Lab Manual and Bestseller Lists

5. Accessing Power Electronics Lab Manual Free and Paid eBooks
 - Power Electronics Lab Manual Public Domain eBooks
 - Power Electronics Lab Manual eBook Subscription Services
 - Power Electronics Lab Manual Budget-Friendly Options
6. Navigating Power Electronics Lab Manual eBook Formats
 - ePub, PDF, MOBI, and More
 - Power Electronics Lab Manual Compatibility with Devices
 - Power Electronics Lab Manual Enhanced eBook Features
7. Enhancing Your Reading Experience
 - Adjustable Fonts and Text Sizes of Power Electronics Lab Manual
 - Highlighting and Note-Taking Power Electronics Lab Manual
 - Interactive Elements Power Electronics Lab Manual
8. Staying Engaged with Power Electronics Lab Manual
 - Joining Online Reading Communities
 - Participating in Virtual Book Clubs
 - Following Authors and Publishers Power Electronics Lab Manual
9. Balancing eBooks and Physical Books Power Electronics Lab Manual
 - Benefits of a Digital Library
 - Creating a Diverse Reading Collection Power Electronics Lab Manual
10. Overcoming Reading Challenges
 - Dealing with Digital Eye Strain
 - Minimizing Distractions
 - Managing Screen Time
11. Cultivating a Reading Routine Power Electronics Lab Manual
 - Setting Reading Goals Power Electronics Lab Manual
 - Carving Out Dedicated Reading Time
12. Sourcing Reliable Information of Power Electronics Lab Manual
 - Fact-Checking eBook Content of Power Electronics Lab Manual
 - Distinguishing Credible Sources
13. Promoting Lifelong Learning

- Utilizing eBooks for Skill Development
 - Exploring Educational eBooks
14. Embracing eBook Trends
- Integration of Multimedia Elements
 - Interactive and Gamified eBooks

Power Electronics Lab Manual Introduction

In the digital age, access to information has become easier than ever before. The ability to download Power Electronics Lab Manual has revolutionized the way we consume written content. Whether you are a student looking for course material, an avid reader searching for your next favorite book, or a professional seeking research papers, the option to download Power Electronics Lab Manual has opened up a world of possibilities. Downloading Power Electronics Lab Manual provides numerous advantages over physical copies of books and documents. Firstly, it is incredibly convenient. Gone are the days of carrying around heavy textbooks or bulky folders filled with papers. With the click of a button, you can gain immediate access to valuable resources on any device. This convenience allows for efficient studying, researching, and reading on the go. Moreover, the cost-effective nature of downloading Power Electronics Lab Manual has democratized knowledge. Traditional books and academic journals can be expensive, making it difficult for individuals with limited financial resources to access information. By offering free PDF downloads, publishers and authors are enabling a wider audience to benefit from their work. This inclusivity promotes equal opportunities for learning and personal growth. There are numerous websites and platforms where individuals can download Power Electronics Lab Manual. These websites range from academic databases offering research papers and journals to online libraries with an expansive collection of books from various genres. Many authors and publishers also upload their work to specific websites, granting readers access to their content without any charge. These platforms not only provide access to existing literature but also serve as an excellent platform for undiscovered authors to share their work with the world. However, it is essential to be cautious while downloading Power Electronics Lab Manual. Some websites may offer pirated or illegally obtained copies of copyrighted material. Engaging in such activities not only violates copyright laws but also undermines the efforts of authors, publishers, and researchers. To ensure ethical downloading, it is advisable to utilize reputable websites that prioritize the legal distribution of content. When downloading Power Electronics Lab Manual, users should also consider the potential security risks associated with online platforms. Malicious actors may exploit vulnerabilities in unprotected websites to distribute malware or steal personal information. To protect themselves, individuals should ensure their devices have reliable antivirus software installed and validate the legitimacy of the websites they are downloading from. In conclusion, the ability to download Power Electronics

Lab Manual has transformed the way we access information. With the convenience, cost-effectiveness, and accessibility it offers, free PDF downloads have become a popular choice for students, researchers, and book lovers worldwide. However, it is crucial to engage in ethical downloading practices and prioritize personal security when utilizing online platforms. By doing so, individuals can make the most of the vast array of free PDF resources available and embark on a journey of continuous learning and intellectual growth.

FAQs About Power Electronics Lab Manual Books

1. Where can I buy Power Electronics Lab Manual books? Bookstores: Physical bookstores like Barnes & Noble, Waterstones, and independent local stores. Online Retailers: Amazon, Book Depository, and various online bookstores offer a wide range of books in physical and digital formats.
2. What are the different book formats available? Hardcover: Sturdy and durable, usually more expensive. Paperback: Cheaper, lighter, and more portable than hardcovers. E-books: Digital books available for e-readers like Kindle or software like Apple Books, Kindle, and Google Play Books.
3. How do I choose a Power Electronics Lab Manual book to read? Genres: Consider the genre you enjoy (fiction, non-fiction, mystery, sci-fi, etc.). Recommendations: Ask friends, join book clubs, or explore online reviews and recommendations. Author: If you like a particular author, you might enjoy more of their work.
4. How do I take care of Power Electronics Lab Manual books? Storage: Keep them away from direct sunlight and in a dry environment. Handling: Avoid folding pages, use bookmarks, and handle them with clean hands. Cleaning: Gently dust the covers and pages occasionally.
5. Can I borrow books without buying them? Public Libraries: Local libraries offer a wide range of books for borrowing. Book Swaps: Community book exchanges or online platforms where people exchange books.
6. How can I track my reading progress or manage my book collection? Book Tracking Apps: Goodreads, LibraryThing, and Book Catalogue are popular apps for tracking your reading progress and managing book collections. Spreadsheets: You can create your own spreadsheet to track books read, ratings, and other details.
7. What are Power Electronics Lab Manual audiobooks, and where can I find them? Audiobooks: Audio recordings of books, perfect for listening while commuting or multitasking. Platforms: Audible, LibriVox, and Google Play Books offer a wide selection of audiobooks.
8. How do I support authors or the book industry? Buy Books: Purchase books from authors or independent bookstores.

Reviews: Leave reviews on platforms like Goodreads or Amazon. Promotion: Share your favorite books on social media or recommend them to friends.

9. Are there book clubs or reading communities I can join? Local Clubs: Check for local book clubs in libraries or community centers. Online Communities: Platforms like Goodreads have virtual book clubs and discussion groups.
10. Can I read Power Electronics Lab Manual books for free? Public Domain Books: Many classic books are available for free as they're in the public domain. Free E-books: Some websites offer free e-books legally, like Project Gutenberg or Open Library.

Find Power Electronics Lab Manual :

trailblazer 2004 manual

[trane xr80 owners manual](#)

trane 4 txm6542 manual

[tracfone samsung s390g manual](#)

[tr7 repair manual](#)

training his bride the hunt

trabalenguas adivinanzas y acertijos spanish edition

trane xl 8service manual

[trane ucp module manual](#)

trane rtaa 215 manual

[toyoto sequoia manual](#)

trainer manual 2011 revision in process health care

[trane furnace service manual tue](#)

[training and fighting skills](#)

trane thermostat xl900 digital thermostat manual

Power Electronics Lab Manual :

[yo youtube](#) - Sep 13 2023

web share your videos with friends family and the world

yo definition meaning merriam webster - Jan 05 2023

web the meaning of yo is used especially to call attention to indicate attentiveness or to express affirmation how to use yo in a sentence

[yo english meaning cambridge dictionary](#) - Jun 10 2023

web used as an informal greeting between people who know each other or as an expression of approval yo mickie

[yo wikipedia](#) - Apr 08 2023

web yo j oʊ yoh is a slang interjection commonly associated with north american english it was popularized by the italian american community in philadelphia pennsylvania in the 1940s

[tureng yo türkçe İngilizce sözlük](#) - Mar 07 2023

web yo momma exclam anan yapsın yo momma exclam git sen onu anana söyle yo momma exclam ananinki İngilizce türkçe online sözlük tureng kelime ve terimleri çevir ve farklı aksanlarda sesli dinleme yo vurgu amacıyla kullanılan bir ünlem no yo

yo definition meaning dictionary com - Dec 04 2022

web yo definition used as an exclamation to get someone 39 s attention express excitement greet someone etc see more

[youtube kids](#) - Jul 11 2023

web youtube kids çocukların youtube u daha kontrollü bir deneyimle keşfetmesini sağlar ayrıca ebeveynler ile bakıcıların bu süreçte onlara rehberlik etmelerini kolaylaştırır

yo youtube - Aug 12 2023

web jul 6 2011 yo

what s the origin of yo english language usage stack exchange - Feb 06 2023

web sep 2 2011 1 use of the term yo dates back to the marine corps work in mexico with pancho villa in the early 1900s the word yo means i in spanish and makes for a nice robust response at mail call or on pay day any time when you want to be noticed it is another piece of marine history that is embraced by everyone

youtube facebook - May 09 2023

web youtube 88 131 388 likes 236 979 talking about this the latest and greatest music videos trends and channels from youtube

[audit proposal 10 examples format pdf examples proposal](#) - Jun 01 2022

web making an audit application can be easier with you will use simple proposal formats that can directly present what you can offer to is clientele the same proceeds with the creation of conference proposal instances samples and other organizations of proposals

[29 sample audit proposals in pdf ms word](#) - Apr 11 2023

web this part contains the overview of the audit plan to be performed the scope statement the benefits of auditing and the list

of auditing services clients should learn about you may show a sample audit service plan as well just so prospects have an idea of what to expect

audit proposal 10 examples format pdf examples - Feb 26 2022

web 10 audit proposal examples pdf to process of review allows the business to recognize and its strengths plus weaknesses in various areas of corporate functions not all businesses can do auditing lone

appendix 1 sample audit proposal shariah compliance audit proposal - Aug 03 2022

web to analyse current growth and issues to identify the main accounts and assess risk such as pia personal investment account pria personal risk investment account gria general risk investment account and ta awuni account pool risk fund expenses fund special fund to plan the audit work phase 2

audit proposal template g ifrc - Jan 08 2023

web jan 24 2022 external quality assessment internal audit 24 january 2022 2 summary report preface the institute of internal auditors iia and the international standards for the professional practice of internal auditing iia standards require an internal audit function to conduct an assessment of conformity at least on a five year basis

how to submit a proposal the institute of internal auditors or - Oct 05 2022

web guidelines the internal audit foundation is the global leader in providing research and knowledge resources to enhance the internal audit profession proposals should not exceed five pages exclusive of the summary page and appendices described below and should be organized as follows proposal summary page

project proposal developing a separate standard for audits - Dec 07 2022

web in this project proposal an audit refers to an audit of financial statements page 1 of 15 exploring possible options addressing the challenges in applying the isas which was published in april 2019 4 in december 2019 the iaasb discussed the responses to

free audit proposal templates revv 10 audit proposal examples - Sep 04 2022

web drafting a convincingly audit proposal pot be quite challenging click here to edit e sign also download from is exclusive samples today attend us for more

audit proposal template free updated 2023 sample pandadoc - Aug 15 2023

web if you are in the business of helping other businesses with audit reviews use this free audit proposal template to inform your prospective clients on how you can help them through the audit process as well as pass the final review

audit service proposal template fresh proposals - Jul 02 2022

web audit service proposal template structure save your valuable time make it look professional once you start using auditing service proposal template this account auditing proposal sample allows you to customize each part of it for your prospective

clients in a matter of minutes with this proposal template you have

29 sample audit proposals in pdf ms word audit proposal - Jan 28 2022

web 29 sample audit proposals auditing service proposal download now office scrutinize proposition preset load now annual financial audit idea download now proposals for auditing services download today personal audit proposal template download now client audit proposal form download now independent audit proposal sample

audit proposal 10 examples format pdf examples - Jul 14 2023

web 1 just like when making research proposal examples samples develop a timeline that you will follow within the entire auditing you should make sure that all the audit activities are broken down into time frames so that your client will have an idea on the amount of audit time that they are paying for 2

getting real value from the audit tender process kpmg - Nov 06 2022

web the invited auditors to understand the business of the audited entity ensure that the audit proposals are evaluated in accordance with the predefined non discriminatory selection criteria and that a report on the conclusions of the selection procedure is prepared and validated by the audit committee

29 sample audit proposals in pdf ms word audit proposal - Dec 27 2021

web an audit proposal referring to adenine formal employment document prepared by inspectors and it can sent to prospects so they get an idea of as to expect out the auditing fixed once hired this proposal contains the product of the auditors our company testimonials the scope of work and how much more

29 sample audit proposals in pdf ms word audit proposal - Mar 30 2022

web as lives and audit proposal an audit proposal recommends to an formal business document prepared at auditors furthermore it is sent to prospects so they get an idea of what to expect free the auditing firm once hired this proposal contains the my of the auditors pricing company testimonials the scope of work and so lot more

audit proposal template visme - Feb 09 2023

web share the effectiveness of previous company audits you ve completed using this professional proposal template eyeing to win the next big auditing project for your accounting firm take the first step towards success by choosing this creative and professionally designed audit proposal template

29 sample audit proposals in pdf ms word 10 audit proposal - Apr 30 2022

web what is an audit proposal an audit proposal referring to one formal business document prepared by company furthermore it is sent to prospects so they get an idea of that go expect from the auditing firm once leased like suggestion contains the call of the auditors prices information testimonials the scale of work the so great learn

strategic and annual internal audit planning practical example - Mar 10 2023

web examples of the objectives of internal audit work strengthening the control system in the area of revenue collection on a variety of grounds contribution to the prevention of external audit findings in the area of asset management

free audit proposal sample audit rfp templates 2023 bonsai - May 12 2023

web below we look at what your proposal should include and tips for writing a great audit proposal the fundamental elements of an audit proposal example all audit proposal templates should include a few things to ensure a potential client will have the details they need and the confidence to hire you as an auditor

free audit proposal templates revv - Jun 13 2023

web free audit proposal templates here s our audit proposal example that provides you information regarding the performance of the audit of a company create an impressive audit proposal for your clients with our customized templates

home oceanicoffshore com sg - Oct 13 2023

web trained professionals in the marine industry testing services and equipment customised load test arrangements 3rd party inspections on site testing with special equipment crane load testing with rigging gear project management trace management software rope access testing

oceanic definition usage examples dictionary com - Mar 06 2023

web see synonyms for oceanic on thesaurus com adjective of living in or produced by the ocean oceanic currents oceanography of or relating to the region of water lying above

oceanic engineering marine pte ltd - Aug 11 2023

web introduction the company oceanic engineering marine pte ltd oem is based in singapore oem has been formed by experienced professionals in managing ship building projects from barges to highly sophisticated dp2 dp3 vessels in shipyards around difference regions of the world we provide a range of quality solutions at very

[oceania wikipedia](#) - May 08 2023

web united nations interpretation oceania and its four subregions the united nations un has used its own geopolitical definition of oceania since its foundation in 1947 which utilizes four of the five subregions from the 19th century

oceanic offshore engineering singapore who we are - Jul 10 2023

web oceanic offshore engineering pte ltd was founded in 2003 and has evolved into one of singapore s most prominent and credible offshore marine suppliers and service providers in 2010 oceanic became a part of the aquaterra group of companies and has since operated as one of it s subsidiaries

[oceanic definition and meaning collins english dictionary](#) - Jan 04 2023

web nov 11 2023 oceanic currents 2 of or pertaining to the region of water lying above the bathyal abyssal and hadal zones of the sea bottom compare neritic pelagic 3 immensely large vast an oceanic expanse of stars 4 cap of or pertaining to

oceania its peoples or their languages

oceanic definition meaning merriam webster - Sep 12 2023

web the meaning of oceanic is of or relating to the ocean of or relating to the ocean occurring in or frequenting the ocean and especially the open sea as distinguished from littoral or neritic waters

oceanic definition in the cambridge english dictionary - Feb 05 2023

web oceanic adjective at ocean sub oceanic oceanic crust mid oceanic ridges inter oceanic at interoceanic trans oceanic at transoceanic see all meanings

ocean wikipedia - Apr 07 2023

web the ocean also known as the sea or the world ocean is a body of salt water that covers approximately 70 8 of the earth and contains 97 of earth s water 9 the term ocean also refers to any of the large bodies of water into

oceanic english meaning cambridge dictionary - Jun 09 2023

web oceanic adjective at ocean sub oceanic oceanic crust mid oceanic ridges inter oceanic at interoceanic trans oceanic at transoceanic see all meanings