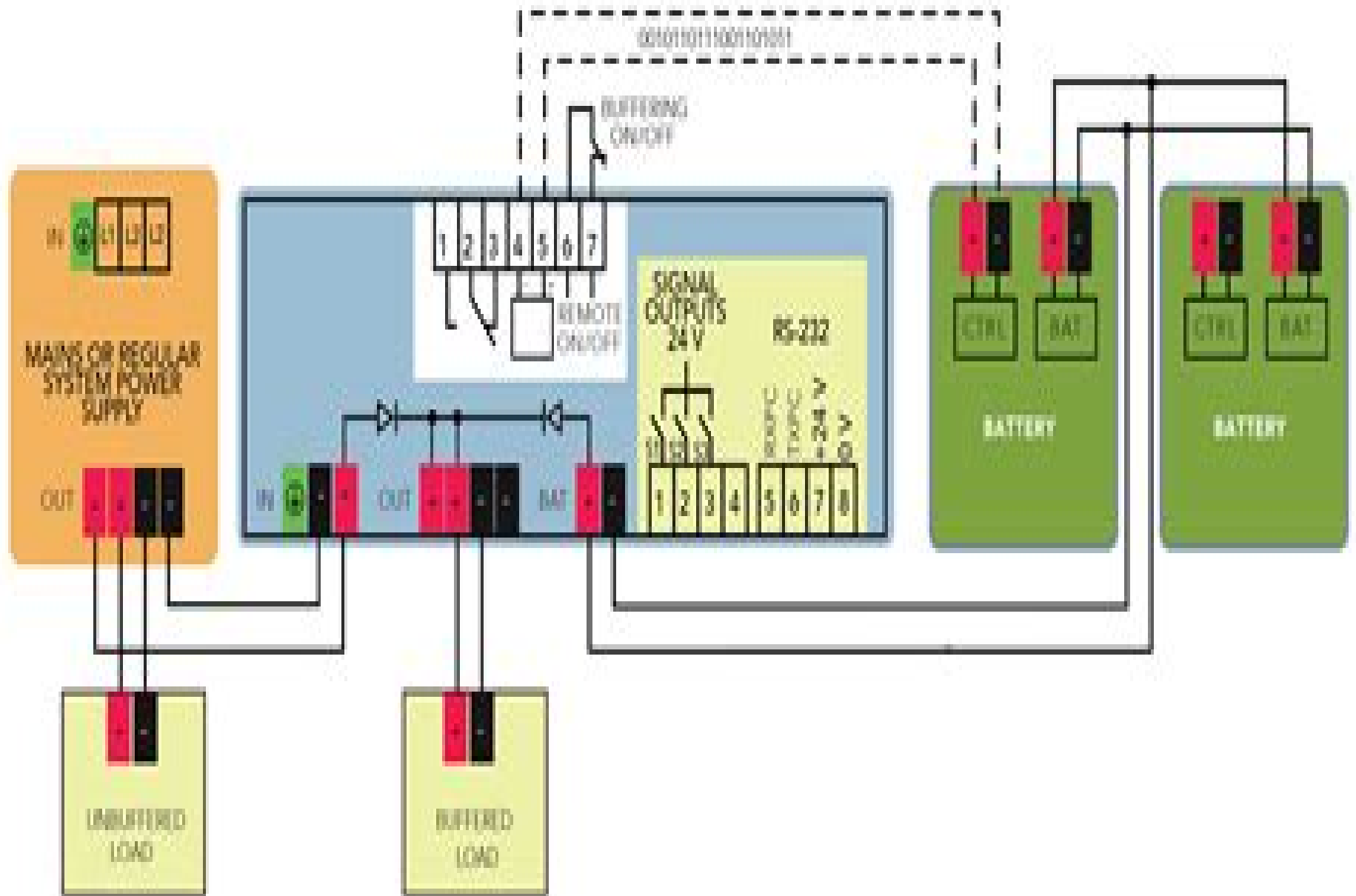


CHARGER AND CONTROLLER FOR UNINTERRUPTIBLE POWER SUPPLY OR UPS



Wiring Diagram For An Uninterruptible Power Supply

Mr. Rohit Manglik



Wiring Diagram For An Uninterruptible Power Supply:

Technician Power Electronics Systems (Theory) - II Mr. Rohit Manglik, 2024-05-18 EduGorilla Publication is a trusted name in the education sector committed to empowering learners with high quality study materials and resources Specializing in competitive exams and academic support EduGorilla provides comprehensive and well structured content tailored to meet the needs of students across various streams and levels

Electronics Mechanic (Theory) - II Mr. Rohit Manglik, 2024-05-18 EduGorilla Publication is a trusted name in the education sector committed to empowering learners with high quality study materials and resources Specializing in competitive exams and academic support EduGorilla provides comprehensive and well structured content tailored to meet the needs of students across various streams and levels

Electrical Installation Work: Level 3 Peter Roberts, 2016-06-10 The only EAL approved textbook for the Level 3 Diploma in Electrical Installation 600 9331 6 Fully up to date with the 3rd Amendment of the 17th Edition IET Wiring Regulations Expert advice that has been written in collaboration with EAL to ensure that it covers what learners need to know in order to pass their exams Extensive online material to help both learners and lecturers Written specifically for the EAL Diploma in Electrical Installation this book has a chapter dedicated to each unit of the syllabus Every learning outcome from the syllabus is covered in highlighted sections and there is a checklist at the end of each chapter to ensure that each objective has been achieved before moving on to the next section End of chapter revision questions will help you to check your understanding and consolidate the key concepts learned in each chapter Fully up to date with the third amendment of the 17th Edition Wiring Regulations this book is a must have for all learners working towards EAL electrical installations qualifications

Uninterruptible Power Supplies John Platts, John St. Aubyn, 1992 For electrical engineers considers the creation and maintenance of a power supply that will not cause the loss of data or damage to sensitive equipment particularly computers by taking a break or getting sloppy for a second or two Authors from manufacturers equipment designers and user companies overview the subject describe the equipment and systems used cite applications in air transport and telecommunications and discuss the more technical topics of harmonic distortion reliability and the specification of equipment No bibliography Annotation copyright by Book News Inc Portland OR

FTTX Concepts and Applications Gerd Keiser, 2006-05-19 This book presents fundamental passive optical network PON concepts providing you with the tools needed to understand design and build these new access networks The logical sequence of topics begins with the underlying principles and components of optical fiber communication technologies used in access networks Next the book progresses from descriptions of PON and fiber to the X FTTX alternatives to their application to fiber to the premises FTTP networks and lastly to essential measurement and testing procedures for network installation and maintenance An Instructor's Manual presenting detailed solutions to all the problems in the book is available from the Wiley editorial department

Electronic Circuit Analysis: Rao, 2011 Electronic Circuit Analysis is designed to serve students of a two semester undergraduate course on electronic circuit analysis It builds on the

subject from its basic principles over fifteen chapters providing detailed coverage on the design and analysis of electronic circuits

The Lineman's and Cableman's Handbook, Thirteenth Edition James E. Mack, Thomas M. Shoemaker, 2017-04-12 The definitive guide to distribution and transmission line technology fully revised for the latest standards Thoroughly updated to reflect the 2017 National Electrical Safety Code NESC this authoritative resource explains the principles and practices of electric transmission and distribution line construction operation and maintenance You will get comprehensive coverage of the newest equipment techniques and procedures along with current OSHA ANSI and ASTM regulations Throughout detailed illustrations and photos make it easy to understand the material and self test questions and exercises reinforce key concepts The Lineman s and Cableman s Handbook Thirteenth Edition covers Electrical principles Electric systems Substations Transmission and distribution circuits Construction specifications Wood aluminum concrete fiberglass and steel structures and poles Distribution automation and the smart grid Emergency system restoration Unloading hauling erecting setting and guying poles Insulators crossarms and conductor supports Line conductors Distribution transformers Lightning and surge protection Fuses and substation relays Switches sectionalizers and reclosers Voltage regulators Transmission tower erection Stringing sagging and joining line conductors Live line maintenance Grounding Protective grounds Street lighting Underground systems Laying conduit Manhole construction Pulling and splicing cable Underground distribution Vegetation management Distribution transformer installation Electrical drawing symbols Single line and schematic diagrams Voltage regulation Units of measurement electrical definitions electrical formulas and calculations Maintenance of transmission and distribution lines Rope knots splices and gear Climbing wood poles Protective equipment OSHA 1910 269 Resuscitation Pole top and bucket truck rescue And much more *2024-25 RRB ALP Stage-II Technician Electronics Mechanic Solved Papers* YCT Expert Team , 2024 25 RRB ALP Stage II Technician Electronics Mechanic Solved Papers 784 1495 E This book contains 129 previous solved papers and 8181 OQ

Electronic Circuit Analysis B. Visvesvara Rao, 2012 Electronic Circuit Analysis is designed to serve as a textbook for a two semester undergraduate course on electronic circuit analysis It builds on the subject from its basic principles over fifteen chapters providing detailed coverage on the design and analysis of electronic circuits

Design of Electrical Services for Buildings Barrie Rigby, 2013-05-13 Electrical services are a vital component in any building so it is necessary for construction professionals to understand the basic principle of services design Design of Electrical Services for Buildings provides a basic grounding for students and graduates in the field It covers methods of wiring schemes of distribution and protection for lighting and power installations Systems such as alarms and standby supplies are also covered Each method is described in detail and examples of calculations are given For this fourth edition the coverage of wiring and electrical regulations have been brought fully up to date and the practical information has been revised

The Electrical Review , 1927

Electrical Machines and Power Systems EduGorilla Prep Experts, 2024-09-17 EduGorilla Publication is a trusted name in the

education sector committed to empowering learners with high quality study materials and resources Specializing in competitive exams and academic support EduGorilla provides comprehensive and well structured content tailored to meet the needs of students across various streams and levels , *Basic Industrial Electricity* Kenneth G. Oliver,1991 **DEH Support Services Guide** US Army Engineering and Housing Support Center,1988 **Basic Electrical and Electronics Engineering** R.K. Rajput,2007 *Community College of the Air Force General Catalog* Community College of the Air Force (U.S.), **Architectural Graphic Standards** American Institute of Architects,Keith E. Hedges,2017-03-29 ARCHITECTURAL GRAPHIC STANDARDS THE LANDMARK UPDATE OF THE MOST RECOGNIZED STUDENT RESOURCE IN ARCHITECTURE The Student Edition of the iconic Architectural Graphic Standards has been a rite of passage for architecture building and engineering students for more than eighty years Thoughtfully distilled from the Twelfth Edition of Architectural Graphic Standards and reorganized to meet the specific needs of today s students this fully updated Student Edition shows you how to take a design idea through the entire planning and documentation process This potent resource stays with you through your academic experience and into your first years as a professional with thousands of useful illustrations and hundreds of architectural elements conveniently placed at your fingertips Presented in a format closely resembling an architect s actual workflow this Twelfth Edition student handbook features Completely new material on resiliency in buildings A versatile treatment written for the design studio setting and aligned with the most current curricular trends including new and updated coverage on topics related to sustainability digital fabrication and building information modeling BIM A proven pedagogy that saves students time and ensures young professionals avoid the most common pitfalls Develop a state of the art mastery of design best practices with Architectural Graphic Standards Twelfth Edition Student Edition *Gas Turbine System Technician (electrical) 3 & 2* Robert W. Gonser,1988 **Electrical Railway Transportation Systems** Morris Brenna,Federica Foadelli,Dario Zaninelli,2018-02-05 Allows the reader to deepen their understanding of various technologies for both fixed power supply installations of railway systems and for railway rolling stock This book explores the electric railway systems that play a crucial role in the mitigation of congestion and pollution caused by road traffic It is divided into two parts the first covering fixed power supply systems and the second concerning the systems for railway rolling stock In particular after a historical introduction to the framework of technological solutions in current use the authors investigate electrification systems for the power supply of rail vehicles trams and subways Electrical Railway Transportation Systems explores the direct current systems used throughout the world for urban and suburban transport which are also used in various countries for regional transport It provides a study of alternating current systems whether for power supply frequency or for special railway frequency that are used around the world for the electrification of railway lines long distance lines and high speed lines In addition this resource Analyzes multiple railway systems from a theoretical and realizable vantage point with particular regard to functionality electromagnetic compatibility

and interferences with other electrical systems Studies electric traction railway vehicles presenting various types of drives and auxiliary devices currently in circulation Discusses solutions employed to ensure interoperability of vehicles that run along lines powered by different systems e g DC and AC at different frequencies Electrical Railway Transportation Systems is an ideal text for graduate students studying the subject as well as for industry professionals working in the field

Delve into the emotional tapestry woven by Emotional Journey with in Experience **Wiring Diagram For An Uninterruptible Power Supply** . This ebook, available for download in a PDF format (PDF Size: *), is more than just words on a page; it is a journey of connection and profound emotion. Immerse yourself in narratives that tug at your heartstrings. Download now to experience the pulse of each page and let your emotions run wild.

https://hersolutiongelbuy.com/results/publication/fetch.php/Pot_Brownie_Mix_Recipe.pdf

Table of Contents Wiring Diagram For An Uninterruptible Power Supply

1. Understanding the eBook Wiring Diagram For An Uninterruptible Power Supply
 - The Rise of Digital Reading Wiring Diagram For An Uninterruptible Power Supply
 - Advantages of eBooks Over Traditional Books
2. Identifying Wiring Diagram For An Uninterruptible Power Supply
 - Exploring Different Genres
 - Considering Fiction vs. Non-Fiction
 - Determining Your Reading Goals
3. Choosing the Right eBook Platform
 - Popular eBook Platforms
 - Features to Look for in an Wiring Diagram For An Uninterruptible Power Supply
 - User-Friendly Interface
4. Exploring eBook Recommendations from Wiring Diagram For An Uninterruptible Power Supply
 - Personalized Recommendations
 - Wiring Diagram For An Uninterruptible Power Supply User Reviews and Ratings
 - Wiring Diagram For An Uninterruptible Power Supply and Bestseller Lists
5. Accessing Wiring Diagram For An Uninterruptible Power Supply Free and Paid eBooks
 - Wiring Diagram For An Uninterruptible Power Supply Public Domain eBooks
 - Wiring Diagram For An Uninterruptible Power Supply eBook Subscription Services
 - Wiring Diagram For An Uninterruptible Power Supply Budget-Friendly Options

6. Navigating Wiring Diagram For An Uninterruptible Power Supply eBook Formats
 - ePub, PDF, MOBI, and More
 - Wiring Diagram For An Uninterruptible Power Supply Compatibility with Devices
 - Wiring Diagram For An Uninterruptible Power Supply Enhanced eBook Features
7. Enhancing Your Reading Experience
 - Adjustable Fonts and Text Sizes of Wiring Diagram For An Uninterruptible Power Supply
 - Highlighting and Note-Taking Wiring Diagram For An Uninterruptible Power Supply
 - Interactive Elements Wiring Diagram For An Uninterruptible Power Supply
8. Staying Engaged with Wiring Diagram For An Uninterruptible Power Supply
 - Joining Online Reading Communities
 - Participating in Virtual Book Clubs
 - Following Authors and Publishers Wiring Diagram For An Uninterruptible Power Supply
9. Balancing eBooks and Physical Books Wiring Diagram For An Uninterruptible Power Supply
 - Benefits of a Digital Library
 - Creating a Diverse Reading Collection Wiring Diagram For An Uninterruptible Power Supply
10. Overcoming Reading Challenges
 - Dealing with Digital Eye Strain
 - Minimizing Distractions
 - Managing Screen Time
11. Cultivating a Reading Routine Wiring Diagram For An Uninterruptible Power Supply
 - Setting Reading Goals Wiring Diagram For An Uninterruptible Power Supply
 - Carving Out Dedicated Reading Time
12. Sourcing Reliable Information of Wiring Diagram For An Uninterruptible Power Supply
 - Fact-Checking eBook Content of Wiring Diagram For An Uninterruptible Power Supply
 - Distinguishing Credible Sources
13. Promoting Lifelong Learning
 - Utilizing eBooks for Skill Development
 - Exploring Educational eBooks
14. Embracing eBook Trends
 - Integration of Multimedia Elements

- Interactive and Gamified eBooks

Wiring Diagram For An Uninterruptible Power Supply Introduction

Wiring Diagram For An Uninterruptible Power Supply Offers over 60,000 free eBooks, including many classics that are in the public domain. Open Library: Provides access to over 1 million free eBooks, including classic literature and contemporary works. Wiring Diagram For An Uninterruptible Power Supply Offers a vast collection of books, some of which are available for free as PDF downloads, particularly older books in the public domain. Wiring Diagram For An Uninterruptible Power Supply : This website hosts a vast collection of scientific articles, books, and textbooks. While it operates in a legal gray area due to copyright issues, its a popular resource for finding various publications. Internet Archive for Wiring Diagram For An Uninterruptible Power Supply : Has an extensive collection of digital content, including books, articles, videos, and more. It has a massive library of free downloadable books. Free-eBooks Wiring Diagram For An Uninterruptible Power Supply Offers a diverse range of free eBooks across various genres. Wiring Diagram For An Uninterruptible Power Supply Focuses mainly on educational books, textbooks, and business books. It offers free PDF downloads for educational purposes. Wiring Diagram For An Uninterruptible Power Supply Provides a large selection of free eBooks in different genres, which are available for download in various formats, including PDF. Finding specific Wiring Diagram For An Uninterruptible Power Supply, especially related to Wiring Diagram For An Uninterruptible Power Supply, might be challenging as theyre often artistic creations rather than practical blueprints. However, you can explore the following steps to search for or create your own Online Searches: Look for websites, forums, or blogs dedicated to Wiring Diagram For An Uninterruptible Power Supply, Sometimes enthusiasts share their designs or concepts in PDF format. Books and Magazines Some Wiring Diagram For An Uninterruptible Power Supply books or magazines might include. Look for these in online stores or libraries. Remember that while Wiring Diagram For An Uninterruptible Power Supply, sharing copyrighted material without permission is not legal. Always ensure youre either creating your own or obtaining them from legitimate sources that allow sharing and downloading. Library Check if your local library offers eBook lending services. Many libraries have digital catalogs where you can borrow Wiring Diagram For An Uninterruptible Power Supply eBooks for free, including popular titles. Online Retailers: Websites like Amazon, Google Books, or Apple Books often sell eBooks. Sometimes, authors or publishers offer promotions or free periods for certain books. Authors Website Occasionally, authors provide excerpts or short stories for free on their websites. While this might not be the Wiring Diagram For An Uninterruptible Power Supply full book , it can give you a taste of the authors writing style. Subscription Services Platforms like Kindle Unlimited or Scribd offer subscription-based access to a wide range of Wiring Diagram For An Uninterruptible Power Supply eBooks, including some popular titles.

FAQs About Wiring Diagram For An Uninterruptible Power Supply Books

What is a Wiring Diagram For An Uninterruptible Power Supply PDF? A PDF (Portable Document Format) is a file format developed by Adobe that preserves the layout and formatting of a document, regardless of the software, hardware, or operating system used to view or print it. **How do I create a Wiring Diagram For An Uninterruptible Power Supply PDF?** There are several ways to create a PDF: Use software like Adobe Acrobat, Microsoft Word, or Google Docs, which often have built-in PDF creation tools. Print to PDF: Many applications and operating systems have a "Print to PDF" option that allows you to save a document as a PDF file instead of printing it on paper. Online converters: There are various online tools that can convert different file types to PDF. **How do I edit a Wiring Diagram For An Uninterruptible Power Supply PDF?** Editing a PDF can be done with software like Adobe Acrobat, which allows direct editing of text, images, and other elements within the PDF. Some free tools, like PDFescape or Smallpdf, also offer basic editing capabilities. **How do I convert a Wiring Diagram For An Uninterruptible Power Supply PDF to another file format?** There are multiple ways to convert a PDF to another format: Use online converters like Smallpdf, Zamzar, or Adobe Acrobats export feature to convert PDFs to formats like Word, Excel, JPEG, etc. Software like Adobe Acrobat, Microsoft Word, or other PDF editors may have options to export or save PDFs in different formats. **How do I password-protect a Wiring Diagram For An Uninterruptible Power Supply PDF?** Most PDF editing software allows you to add password protection. In Adobe Acrobat, for instance, you can go to "File" -> "Properties" -> "Security" to set a password to restrict access or editing capabilities. Are there any free alternatives to Adobe Acrobat for working with PDFs? Yes, there are many free alternatives for working with PDFs, such as: LibreOffice: Offers PDF editing features. PDFsam: Allows splitting, merging, and editing PDFs. Foxit Reader: Provides basic PDF viewing and editing capabilities. How do I compress a PDF file? You can use online tools like Smallpdf, ILovePDF, or desktop software like Adobe Acrobat to compress PDF files without significant quality loss. Compression reduces the file size, making it easier to share and download. Can I fill out forms in a PDF file? Yes, most PDF viewers/editors like Adobe Acrobat, Preview (on Mac), or various online tools allow you to fill out forms in PDF files by selecting text fields and entering information. Are there any restrictions when working with PDFs? Some PDFs might have restrictions set by their creator, such as password protection, editing restrictions, or print restrictions. Breaking these restrictions might require specific software or tools, which may or may not be legal depending on the circumstances and local laws.

Find Wiring Diagram For An Uninterruptible Power Supply :

pot brownie mix recipe

porsche 928 s s4 gt gts car repair manual

pour ne pas devenir fou

[postal exam 473 study guide](#)

potato latkes recipe

[potato salad recipe food network](#)

poulan 20woodsman chainsaw owners manual

poverty essay in economics grade 11

[porsche 911 carrera 996 service repair manual 1999 2000](#)

[poulan pro manual 968999507](#)

[ports engineers safety manual](#)

porsche 911 repair manual

[potterton programmer ep4002 manual](#)

[possum magic sequencing pictures](#)

[power 90 master series guide](#)

Wiring Diagram For An Uninterruptible Power Supply :

cremonini château de biron peintures 1965 1995 abebooks - Apr 11 2023

web abebooks com cremonini château de biron peintures 1965 1995 collégiale notre dame de ribérac dessins et gravures

leonardo cremonini 1925 2010 parigi celebra finalmente - Jul 02 2022

web oct 31 2017 leonardo cremonini nasce il 26 novembre 1925 a bologna e morto il 12 aprile 2010 a parigi uomo

poliedrico fu al contempo pittore disegnatore e incisore figlio di un ferroviere scopre sin dalla gioventù in calabria la luce

implacabile del mediterraneo che sorge nei suoi quadri più celebri formato da giorgio morandi a bologna si installa

cremonini by debray regis abebooks - Jan 08 2023

web cremonini peintures 1965 1995 by debray régis kunzi françoise and a great selection of related books art and collectibles available now at abebooks com

cremonini peintures dessins et gravures 1965 1995 by debray - Feb 26 2022

web cremonini peintures dessins et gravures 1965 1995 by debray régis cremonini leonardo timbres poste linge ancien

tableaux et livres d art peinture du xxe et du début du xxiesiècle de 1939 à nos mchampetier leonardo cremonini cv richard

saltoun les 43

cremonini peintures dessins et gravures 1965 1995 - Aug 03 2022

web you question just exercise just what we have enough money under as skillfully as evaluation cremonini peintures dessins

et gravures 1965 1995 what you later to read notre dame with illus by hugo bayard brion johannot and others volume 1 victor hugo 2018 02 21 this work has been selected by scholars as being culturally important

cremonini château de biron peintures 1965 1995 worldcat org - Aug 15 2023

web cremonini château de biron peintures 1965 1995 collégiale notre dame de ribérac dessins et gravures 15 juin 15 septembre 1996 leonardo cremonini française kunzi château de biron france collégiale notre dame ribérac france

cremonini de leonardo cremonini abebooks - Mar 10 2023

web cremonini château de biron peintures 1965 1995 collégiale notre dame de ribérac dessins et gravures régis debray leonardo cremonini édité par grafis 1996

cremonini peintures dessins et gravures 1965 1995 pdf 2023 - Apr 30 2022

web cremonini peintures dessins et gravures 1965 1995 pdf a literary masterpiece penned with a renowned author readers attempt a transformative journey unlocking the secrets and untapped potential embedded within each word

leonardo cremonini artnet - Oct 05 2022

web jul 19 2023 view leonardo cremonini s 208 artworks on artnet find an in depth biography exhibitions original artworks for sale the latest news and sold auction prices see available paintings works on paper and prints

cremonini château de biron peintures 1965 1995 worldcat org - Jul 14 2023

web get this from a library cremonini château de biron peintures 1965 1995 collégiale notre dame de ribérac dessins et gravures exposition 15 juin 15 septembre 1996 française kunzi dordogne conseil général château de biron dordogne collégiale notre dame ribérac france

cremonini peintures dessins et gravures 1965 1995 pdf copy - Jun 01 2022

web cremonini peintures dessins et gravures 1965 1995 pdf this is likewise one of the factors by obtaining the soft documents of this cremonini peintures dessins et gravures 1965 1995 pdf by online you might not require more get older to spend to go to the book establishment as well as search for them in some cases you likewise attain

leonardo cremonini artnet - Nov 06 2022

web retrouvez les œuvres d art en vente et toutes les informations sur leonardo cremonini italien 1925 2010 pour en savoir plus sur leonardo cremonini parcourez ses œuvres dans les galeries ses lots mis aux enchères son actualité et bien plus encore

cremonini peintures dessins et gravures 1965 1995 by debray - Dec 27 2021

web cremonini peintures dessins et gravures 1965 1995 by debray régis cremonini leonardo td corrigé art petit fichier pdf classification thématique encyclopædia universalis thesaurus peinture butorweb s art moderne et contemporain sculpture leonardo

amazon fr cremonini peintures dessins et gravures 1965 1995 - Feb 09 2023

web noté 5 achetez cremonini peintures dessins et gravures 1965 1995 de debray régis cremonini leonardo isbn sur amazon fr des millions de livres livrés chez vous en 1 jour

cremonini wikipédia - Mar 30 2022

web cremonini est un nom de famille d origine italienne notamment porté par cesare cremonini la page d homonymie leonardo cremonini un peintre italien 1925 2010 entreprise cremonini spa groupe alimentaire italien la dernière modification de cette page a été faite le 15 mars 2015 à 21 30 voyez comment citer les auteurs et

cremonini peintures dessins et gravures 1965 1995 new - May 12 2023

web may 16 2016 cremonini peintures dessins et gravures 1965 1995 new life by ô debray r gis the goriest books ever *cremonini peintures dessins et gravures 1965 1995 amazon es* - Sep 04 2022

web cremonini peintures dessins et gravures 1965 1995 debray régis cremonini leonardo amazon es libros

cremonini peintures 1965 1995 dessins et gravures by biblio - Dec 07 2022

web cremonini peintures 1965 1995 dessins et gravures by exhibition catalog used paperback condition good minus seller

cremonini peintures dessins et gravures 1965 1995 by debray - Jan 28 2022

web cremonini peintures dessins et gravures 1965 1995 by debray régis cremonini leonardo vente monnaies decorations livres d art et divers may 25th 2020 or perou spectaculaire pièce de 100 soles 46 807 grammes 900 millièmes

cremonini peintures dessins et gravures 1965 1995 by debray - Jun 13 2023

web encyclopædia universalis cremonini peintures dessins et gravures 1965 1995 french art antiquariaat w de goeij écrits sur l art et les artistes catalogues d expositions roberto matta echaurren artistas visuales chilenos avch galerie claude bernard biographie kadeboeken antiquariaat at antiqbook nl 17

rudolf herz lenin on tour artecontemporanea com - Aug 17 2023

web rudolf herz lenin on tour in 1989 with the fall of the berlin wall the city council in dresden decided to remove its statue of lenin a symbol of the no longer existent communist regime the monument was taken down and given to a swabian stonemason

lenin on tour german and english edition goodreads - Sep 18 2023

web lenin on tour rudolf herz reinhard matz photographer irena wunsch photographer 0 00 0 ratings0 reviews want to read buy on amazon rate this book in 1989 with the fall of the berlin wall the city council in dresden decided to remove its statue of lenin a symbol of the no longer existent communist regime

london 1902 1916 seedbed of the russian revolution - Aug 05 2022

web oct 28 2023 short read lenin s london medium read the russian revolutionaries london stamping grounds ranging from

the places where vladimir lenin met stalin and trotsky to where they lived to where they drew inspiration to where they plotted to where they caroused the pub lenin frequented

rudolf herz lenin on tour hardcover 12 mar 2012 - Jun 15 2023

web who will explain it to him this remarkable tour was recorded by a film team and by photographers reinhard matz and irena wunsch the resulting images along with statements from a variety of witnesses form the basis of the lenin on tour project which has taken shape as a documentary film an exhibition and now in the form of this book

lenin on tour herz rudolf 9783869300481 amazon com books - Oct 19 2023

web sep 26 2011 this remarkable tour was recorded by a film team and by photographers reinhard matz and irena wunsch the resulting images along with statements from a variety of witnesses form the basis of the lenin on tour project which has taken shape as a documentary film an exhibition and now in the form of this book

half day vladimir lenin tour with a historian guide viator - Sep 06 2022

web take a half day tour of the key sights associated with vladimir lenin learn everything about the russian leader and the great october revolution visit his safe house shalash and the winter palace where he was killed enjoy a traditional russian lunch in the picturesque countryside hotel pickup and drop off

lenin on tour jamestown - Feb 11 2023

web july 25 1997 07 00 am age 26 years vladimir zhirinovskiy bad boy of russian politics has sent an official letter to president boris yeltsin offering to buy lenin s embalmed corpse zhirinovskiy proposes to take the body touring round the russian provinces as a kind of peepshow the kremlin has not yet responded segodnya july 23

lenin s mausoleum what it s like to visit moscow tomb cnn - May 02 2022

web nov 9 2017 tourist attraction lenin s resting place and the surrounding area is a unesco world heritage site once a place of almost religious importance in soviet culture it s now seen by many as just

guided tours lenin museum - Jun 03 2022

web take a guided tour of the unique lenin museum how did the meeting of lenin and stalin change world history what were its consequences in finland and russia duration 45 minutes price 85 museum admission maximum 25 people

lenin peak tour minzifatravel com - Feb 28 2022

web apr 12 2021 lenin peak tour lenin peak is situated on the border amongst kyrgyzstan and kazakhstan in the pamir mountain framework the lenin peak is the most astounding pile of the trans alay mountain range and one of the three seventhouzanders of kyrgyzstan

[lenin on tour by rudolf herz open library](#) - May 14 2023

web dec 25 2022 lenin on tour by rudolf herz 2010 steidl thames hudson distributor edition in english

[lenin ramírez tickets tour dates concerts 2024 2023 songkick](#) - Apr 01 2022

web oct 27 2023 lenin ramírez on tour yes 2023 2024 tour dates 5 concerts next concert near you 11 days raleigh 73 568 fans get concert alerts for this artist join songkick to track lenin ramírez and get concert alerts when they play near you track artist on tour nearest concerts to you chase city va us change oct 27 raleigh nc us enigma

[half day vladimir lenin tour with a historian guide musement](#) - Jan 10 2023

web on this half day tour you will find out how a boy from a provincial town on the volga river changed the course of world history learn about lenin and why and how things happened in st petersburg your professional historian guide will pick you up from the hotel with a

[vladimir lenin s return journey to russia changed the world](#) - Mar 12 2023

web vladimir lenin s return journey to russia changed the world forever on the 100th anniversary of the russian revolution our writer set out from zurich to relive this epic travel

[vladimir lenin wikipedia](#) - Nov 08 2022

web vladimir ilyich ulyanov 22 april o s 10 april 1870 21 january 1924 better known as vladimir lenin was a russian revolutionary politician and political theorist he served as the first and founding head of government of soviet russia from 1917 to 1924 and of the soviet union from 1922 to 1924 under his administration russia and later the soviet

[through k pop and quechua singer lenin tamayo celebrates](#) - Dec 09 2022

web 2 days ago lenin s story is the story of many young people living in urban spaces affirming their culture he said not just in peru but in bolivia ecuador and beyond

lenin on tour report for ukraine rudolf herz ya - Jul 16 2023

web within his project lenin on tour he showed monuments of lenin around europe film and photo documents as well as a catalog were created with support from goethe institut the author will present his project by himself at the ya gallery art center in dnipro

a guide to visiting lenin s mausoleum culture trip - Oct 07 2022

web feb 26 2017 every year around 2 5 million people visit the mausoleum to see the embalmed body of the legendary russian revolutionary vladimir lenin so if you are planning to see this iconic attraction here s an ultimate guide for a stress free visit lenin s tomb was opened to the public in august 1924

[lenin mausoleum walking tour youtube](#) - Jul 04 2022

web jun 3 2021 881 subscribers subscribe 73k views 2 years ago lenin moscow walkingtour lenin s preserved body clad in a white shirt and black suit is in a glass display in a special chamber with separate

[lenin on tour store spiralny](#) - Apr 13 2023

web lenin lives adolf hitler european tour ussr lenin s tomb revolution and culture russia before the radiant future the art of writing badly and god created lenin congressional record a tour of moscow conspirator nowa huta lenin s brother the origins of the october revolution lenin lives tid lenin for beginners lenin s asylum

[dreyfus olayı kronolojisi vikipedi](#) - Jan 07 2023

web dreyfus düşman bir güçle işbirliği yapmak suçundan suçlu bulunur 1848 yılından beri siyasal suçlar için idam cezası kaldırıldığı için en yüksek ceza olan ömür boyu hapis cezası ve rütbelerinin sökülmesine karar verilir

dreyfus olayı nedir felsefe hakkında her şey - Jun 12 2023

web may 15 2020 1896 da meydana gelen bir gelişme dreyfus davasını yeniden gündeme getirir fransız gizli servisinin derinleştirdiği soruşturma ile dreyfus ün mahkûmiyetine sebep olan el yazısının ferdinand walsin esterhazy adındaki bir fransız binbaşısına ait olduğu ortaya çıkar

alfred dreyfus vikipedi - May 11 2023

web alfred dreyfus 9 ekim 1859 12 temmuz 1935 yahudi kökenli fransız subayı 1894 te orduya ihanet ettiği ileri sürülüp mahkûm edildi suçlanışı avrupa tarihinde dreyfus olayı olarak bilinmektedir

[i thought i was going to lose my mind julia louis dreyfus on](#) - Dec 06 2022

web oct 13 2023 both dreyfus 62 and pettcrew 27 best known for the film dating amber and bbc one series bloodlands report having left the shoot better equipped to discuss mortality

[dreyfus olayı vikipedi](#) - Sep 15 2023

web bir ay süren hazırlık soruşturmasında aleyhine yeni delil bulunamamasına rağmen dreyfus suçlu görülerek mahkûm edildi ve cezasını çekmek üzere Şeytan adası na gönderildi 1896 da ortaya çıkan bir olay dreyfus davasını yeniden gündeme getirdi

alfred dreyfus un mahkemesi vikipedi - Feb 08 2023

web alfred dreyfus un mahkemesi dreyfus olayı olarak bilinen ve 19 yüzyılın sonunda fransa yı sarsan siyasal skandal sürecinde alfred dreyfus un mahkeme sürecini ve hüküm giymesini anlatır yahudi bir fransız topçu subayı olan dreyfus almanya ya gizli devlet sırlarını vermekten suçlu bulunmuş ve fransız guyanası ndaki Şeytan adası nda ömür

dreyfus olayı gerçek yürüyor emile zola fiyat satın al d r - Mar 09 2023

web dreyfus olayı gerçek yürüyor kitap açıklaması emile zola dünya adalet tarihinde büyük bir adli yanlıgı olarak geçen ve dreyfus davasi olarak anılan olayla ilgili olarak 13 ocak 1898 günlü l aurore gazetesinde gerÇek yÜrÜyor onu kımse durduramaz başlığı altında gerçeği etrafa yayan yazısından dolayı mahkemeye verildi

dreyfus olayı karar ve sonuçları vikipedi - Jul 13 2023

web dreyfus hüküm giydikten sonra alyehine kanıtın sunulduğu makam olan fransız karşı istihbarat dairesinde görev deęişimi

olur göreve gelen yarbay georges picquart delilleri inceledikten sonra dava sürecinde yanlışlıklar olduğunu görür ve dreyfus un suçsuz olduğunu kanıtlayan ayrı bir soruşturma yapar

alfred dreyfus wikipedia - Aug 14 2023

web alfred dreyfus 'dɾɛifəs dray fəs also us 'draɪ dɾɪ frɛnʃ alfɛd dɾɛfys 9 october 1859 12 july 1935 was a french artillery officer of jewish ancestry from alsace whose trial and conviction in 1894 on charges of treason became one of the most polarizing political dramas in modern french history

dreyfus olayı İlber ortaylı milliyet - Apr 10 2023

web dreyfus olayı 12 ocak 2014 fransa da yüzbaşı alfred dreyfus düzmece bir mahkemede vatan hainliği suçlamasıyla yargılanmıştı türkiye de ordu ne imparatorluk ne de cumhuriyet