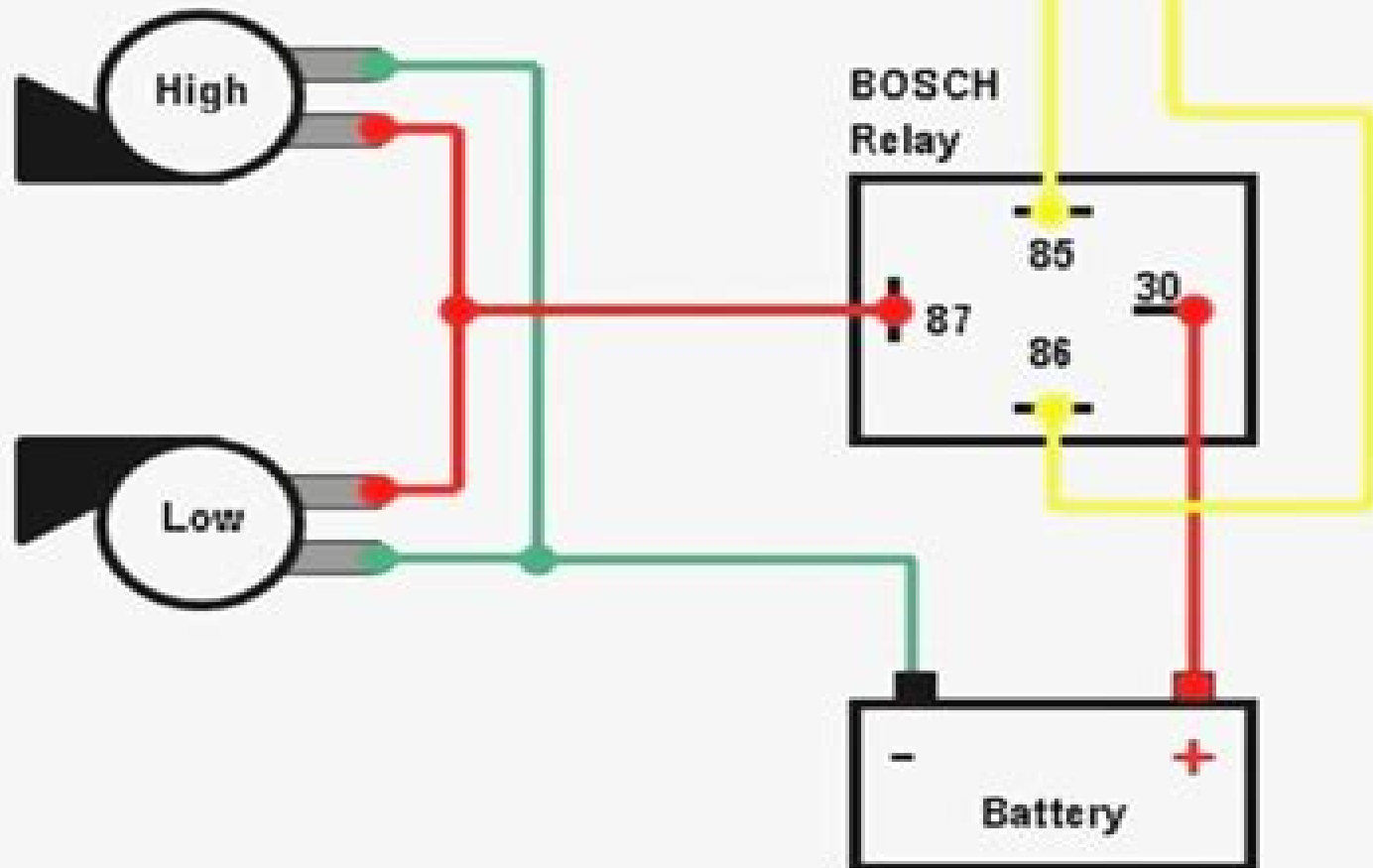


Dual Horn Installation with Interrupter



Wiring Diagram For Horn On Polaris

Nathaniel Bowditch



Wiring Diagram For Horn On Polaris:

Polaris, Sportsman 400 and 500 4x4, 1996-2003 and Xplorer 500 4x4, 1997-2003 Ed Scott,2004 **American Practical Navigator** Nathaniel Bowditch,1958 **American Practical Navigator** ,1962 *Nature* Sir Norman Lockyer,1892
Nature ,1892 **Tables from American Practical Navigator** Nathaniel Bowditch,1962 *Dimensions* ,1961
Hi-fi News & Record Review ,1991 **Technical News Bulletin** United States. National Bureau of Standards,1962
The Wire ,2000 **American Pratical Navigator** ,1966 *Backpacker* ,2000-03 Backpacker brings the outdoors straight to the reader s doorstep inspiring and enabling them to go more places and enjoy nature more often The authority on active adventure Backpacker is the world s first GPS enabled magazine and the only magazine whose editors personally test the hiking trails camping gear and survival tips they publish Backpacker s Editors Choice Awards an industry honor recognizing design feature and product innovation has become the gold standard against which all other outdoor industry awards are measured **H.O. Pub** United States. Hydrographic Office,1962 **McGraw-Hill Dictionary of Scientific and Technical Terms** Sybil P. Parker,1984 Comprehensive dictionary of almost 100 000 terms from 100 scientific and technological disciplines The emphasis is placed on providing definitions rather than on pronunciation etymology or syllabication Entries indicate disciplines pertinent to terms Marginal illustrations Miscellaneous appendices including international graphic symbols Technical News Bulletin ,1961 **American Practical Navigator** Nathaniel Bowditch,1966 **Automotive Wiring Manual** Harry Lorin Wells,1920 **Boyce's Wiring Diagram Manual: Mitsubishi TE MAGNA 2.4L, Mitsubishi TE MAGNA 3.0L, Mitsubishi TF MAGNA 2.4L, Mitsubishi TF MAGNA 3.0L, Mitsubishi KE VERADA 3.5L, Mitsubishi KF VERADA 3.5L** ,2001 Wiring Diagrams 1940, 1941, 1942 ,1943

As recognized, adventure as with ease as experience approximately lesson, amusement, as well as concord can be gotten by just checking out a book **Wiring Diagram For Horn On Polaris** with it is not directly done, you could assume even more vis--vis this life, with reference to the world.

We manage to pay for you this proper as well as easy artifice to acquire those all. We pay for Wiring Diagram For Horn On Polaris and numerous books collections from fictions to scientific research in any way. among them is this Wiring Diagram For Horn On Polaris that can be your partner.

https://hersolutiongelbuy.com/About/browse/default.aspx/projects_and_designs_in_lumber_and_round_timber_of_reforestation.pdf

Table of Contents Wiring Diagram For Horn On Polaris

1. Understanding the eBook Wiring Diagram For Horn On Polaris
 - The Rise of Digital Reading Wiring Diagram For Horn On Polaris
 - Advantages of eBooks Over Traditional Books
2. Identifying Wiring Diagram For Horn On Polaris
 - Exploring Different Genres
 - Considering Fiction vs. Non-Fiction
 - Determining Your Reading Goals
3. Choosing the Right eBook Platform
 - Popular eBook Platforms
 - Features to Look for in an Wiring Diagram For Horn On Polaris
 - User-Friendly Interface
4. Exploring eBook Recommendations from Wiring Diagram For Horn On Polaris
 - Personalized Recommendations
 - Wiring Diagram For Horn On Polaris User Reviews and Ratings
 - Wiring Diagram For Horn On Polaris and Bestseller Lists

5. Accessing Wiring Diagram For Horn On Polaris Free and Paid eBooks
 - Wiring Diagram For Horn On Polaris Public Domain eBooks
 - Wiring Diagram For Horn On Polaris eBook Subscription Services
 - Wiring Diagram For Horn On Polaris Budget-Friendly Options
6. Navigating Wiring Diagram For Horn On Polaris eBook Formats
 - ePub, PDF, MOBI, and More
 - Wiring Diagram For Horn On Polaris Compatibility with Devices
 - Wiring Diagram For Horn On Polaris Enhanced eBook Features
7. Enhancing Your Reading Experience
 - Adjustable Fonts and Text Sizes of Wiring Diagram For Horn On Polaris
 - Highlighting and Note-Taking Wiring Diagram For Horn On Polaris
 - Interactive Elements Wiring Diagram For Horn On Polaris
8. Staying Engaged with Wiring Diagram For Horn On Polaris
 - Joining Online Reading Communities
 - Participating in Virtual Book Clubs
 - Following Authors and Publishers Wiring Diagram For Horn On Polaris
9. Balancing eBooks and Physical Books Wiring Diagram For Horn On Polaris
 - Benefits of a Digital Library
 - Creating a Diverse Reading Collection Wiring Diagram For Horn On Polaris
10. Overcoming Reading Challenges
 - Dealing with Digital Eye Strain
 - Minimizing Distractions
 - Managing Screen Time
11. Cultivating a Reading Routine Wiring Diagram For Horn On Polaris
 - Setting Reading Goals Wiring Diagram For Horn On Polaris
 - Carving Out Dedicated Reading Time
12. Sourcing Reliable Information of Wiring Diagram For Horn On Polaris
 - Fact-Checking eBook Content of Wiring Diagram For Horn On Polaris
 - Distinguishing Credible Sources
13. Promoting Lifelong Learning

- Utilizing eBooks for Skill Development
 - Exploring Educational eBooks
14. Embracing eBook Trends
- Integration of Multimedia Elements
 - Interactive and Gamified eBooks

Wiring Diagram For Horn On Polaris Introduction

In this digital age, the convenience of accessing information at our fingertips has become a necessity. Whether its research papers, eBooks, or user manuals, PDF files have become the preferred format for sharing and reading documents. However, the cost associated with purchasing PDF files can sometimes be a barrier for many individuals and organizations. Thankfully, there are numerous websites and platforms that allow users to download free PDF files legally. In this article, we will explore some of the best platforms to download free PDFs. One of the most popular platforms to download free PDF files is Project Gutenberg. This online library offers over 60,000 free eBooks that are in the public domain. From classic literature to historical documents, Project Gutenberg provides a wide range of PDF files that can be downloaded and enjoyed on various devices. The website is user-friendly and allows users to search for specific titles or browse through different categories. Another reliable platform for downloading Wiring Diagram For Horn On Polaris free PDF files is Open Library. With its vast collection of over 1 million eBooks, Open Library has something for every reader. The website offers a seamless experience by providing options to borrow or download PDF files. Users simply need to create a free account to access this treasure trove of knowledge. Open Library also allows users to contribute by uploading and sharing their own PDF files, making it a collaborative platform for book enthusiasts. For those interested in academic resources, there are websites dedicated to providing free PDFs of research papers and scientific articles. One such website is Academia.edu, which allows researchers and scholars to share their work with a global audience. Users can download PDF files of research papers, theses, and dissertations covering a wide range of subjects. Academia.edu also provides a platform for discussions and networking within the academic community. When it comes to downloading Wiring Diagram For Horn On Polaris free PDF files of magazines, brochures, and catalogs, Issuu is a popular choice. This digital publishing platform hosts a vast collection of publications from around the world. Users can search for specific titles or explore various categories and genres. Issuu offers a seamless reading experience with its user-friendly interface and allows users to download PDF files for offline reading. Apart from dedicated platforms, search engines also play a crucial role in finding free PDF files. Google, for instance, has an advanced search feature that allows users to filter results by file type. By specifying the file type as "PDF," users can find websites that offer free PDF downloads on a specific topic. While downloading Wiring Diagram For Horn On Polaris free PDF files is

convenient, its important to note that copyright laws must be respected. Always ensure that the PDF files you download are legally available for free. Many authors and publishers voluntarily provide free PDF versions of their work, but its essential to be cautious and verify the authenticity of the source before downloading Wiring Diagram For Horn On Polaris. In conclusion, the internet offers numerous platforms and websites that allow users to download free PDF files legally. Whether its classic literature, research papers, or magazines, there is something for everyone. The platforms mentioned in this article, such as Project Gutenberg, Open Library, Academia.edu, and Issuu, provide access to a vast collection of PDF files. However, users should always be cautious and verify the legality of the source before downloading Wiring Diagram For Horn On Polaris any PDF files. With these platforms, the world of PDF downloads is just a click away.

FAQs About Wiring Diagram For Horn On Polaris Books

How do I know which eBook platform is the best for me? Finding the best eBook platform depends on your reading preferences and device compatibility. Research different platforms, read user reviews, and explore their features before making a choice. Are free eBooks of good quality? Yes, many reputable platforms offer high-quality free eBooks, including classics and public domain works. However, make sure to verify the source to ensure the eBook credibility. Can I read eBooks without an eReader? Absolutely! Most eBook platforms offer web-based readers or mobile apps that allow you to read eBooks on your computer, tablet, or smartphone. How do I avoid digital eye strain while reading eBooks? To prevent digital eye strain, take regular breaks, adjust the font size and background color, and ensure proper lighting while reading eBooks. What the advantage of interactive eBooks? Interactive eBooks incorporate multimedia elements, quizzes, and activities, enhancing the reader engagement and providing a more immersive learning experience. Wiring Diagram For Horn On Polaris is one of the best book in our library for free trial. We provide copy of Wiring Diagram For Horn On Polaris in digital format, so the resources that you find are reliable. There are also many Ebooks of related with Wiring Diagram For Horn On Polaris. Where to download Wiring Diagram For Horn On Polaris online for free? Are you looking for Wiring Diagram For Horn On Polaris PDF? This is definitely going to save you time and cash in something you should think about.

Find Wiring Diagram For Horn On Polaris :

[projects and designs in lumber and round timber of reforestation](#)

[proliant dl380 g5 service manual](#)

[prosim ariane manual guide](#)

prolite xb2380hs manual

programme agreacutegation lettres classiques concours externe agreacutegalis

progress in differential algebraic equations deskriptor 2013 differential algebraic equations forum

promoting health and emotional well being in your

property management services 1 research court

property management companies escondido ca

property management companies fort myers fl

prolink pro901 s user manual

project management circa 2025

project management a managerial approach manual sol

proof of graduation letter sample

property management yukon ok

Wiring Diagram For Horn On Polaris :

menghangatkan hubungan bersama suami dengan film erotis - Dec 23 2022

web feb 13 2014 kompas com jangan buru buru bilang tidak atau menggeleng cepat saat mendengar kata film porno tontonan biru ternyata berpotensi untuk menghangatkan kembali hubungan pasangan suami dan istri asalkan seperti dikutip dari more indonesia dr boyke menuturkan masyarakat harus mulai belajar bahwa film erotis tak

ada tiga posisi hubungan suami istri yang jadi favorit perempuan - Oct 21 2022

web jun 22 2022 penelitian dari rscm juga menyebutkan bahwa 70 persen perempuan indonesia jarang mencapai orgasme saat berhubungan suami istri padahal tak hanya laki laki perempuan juga ingin melakukan posisi favoritnya di ranjang salah satunya untuk mencapai orgasme sayangnya hal tersebut masih jarang di ketahui laki laki dan

menonton video konten dewasa bagi suami istri neliti - Nov 21 2022

web abstrak bagi pasangan suami istri hubungan intim adalah sesuatu yang biasa dan wajib dilakukan para peneliti dan dokter kesehatan baik dari eropa dan amerika atau bahkan indonesia menyatakan bahwa semakin sering pasangan melakukan hubungan intim maka semakin baik dan semakin sehat

7 film dengan adegan seks panas dalam pernikahan ini bisa - May 28 2023

web sep 24 2023 film ini sangat cocok untuk moms dan dads yang gemar dengan tema horor psikologis berawal dari ide sepasang suami istri yang sudah lama menikah mereka melakukan perjalanan akhir pekan untuk menghidupkan kembali api api romantisme dalam kehidupan pernikahan dengan mencoba bereksperimen dalam kehidupan seksual

tips hubungan suami isteri berapa kali seks sesuai dalam - May 16 2022

web aug 15 2023 setiap pasangan perlu melakukan hubungan intim bagi memenuhi keperluan dan kemahuan seksual masing masing 1 dalam pada itu aktiviti inilah yang bakal merapatkan lagi perhubungan di antara suami dan isteri tanpanya maka mungkin tiada erti pertalian buat kalian 1 jika kehidupan rumah tangga anda hanyalah sekadar

hubungan suami istri normalnya berapa kali seminggu - Feb 10 2022

web may 4 2023 sebenarnya tidak ada jawaban yang baku soal seberapa sering hubungan seks sebaiknya dilakukan oleh pasangan suami istri dalam sebuah studi yang dilakukan pada tahun 2017 yang diterbitkan dalam archives of sex behaviour ditemukan bahwa rata rata orang dewasa berhubungan seks sebanyak 54 kali dalam setahun atau seminggu

10 film romantis untuk pasangan suami istri citalia com - Feb 22 2023

web jun 19 2020 film romantis untuk pasangan suami istri selanjutnya kali ini bernama the notebook film ini bercerita tentang sebuah hubungan percintaan yang ditentang namun keduanya tetap berjuang hingga maut yang bisa memisahkan mereka berdua

ini yang harus dilakukan istri ketika suami lebih suka nonton film - Jun 16 2022

web mar 12 2023 pasangan tumbuh bersama kekuatan mimpi perempuan indonesia ini yang harus dilakukan istri ketika suami lebih suka nonton film dewasa daripada bercinta alsabrina minggu 12 maret 2023 10 03 wib nova id saat pasangan merasa film dewasa lebih menarik dibanding berhubungan intim dengan kita rasanya memang

3 tips dokter boyke agar suami istri makin wow di ranjang - Jul 18 2022

web 1 day ago baca juga dokter boyke beber 3 titik kenikmatan wanita pria harus aktif tips ketiga yang sangat dianjurkan dokter boyke ialah suami istri melakukan teknik jepit tahan seksolog dokter boyke dian nugraha menjelaskan pasangan suami istri pasutri harus melakukan berbagai cara agar hubungan di ranjang makin berkualitas

7 film ini bisa jadi inspirasi bagi pasangan suami istri - Aug 19 2022

web jun 2 2018 1 the boss baby jalan cerita film ini menggambarkan sesuai dengan kehidupan nyata yang akan mama hadapi setelah si kecil lahir film ini menggambarkan tentang bos sebenarnya yang ada di dalam rumah mama pastinya bukan mama maupun papa melainkan si kecil yang setiap tangisannya harus ditenangkan yang setiap

5 rekomendasi film romantis cocok ditonton saat quality time dengan suami - Mar 26 2023

web nov 26 2021 berikut rekomendasi film hubungan suami istri romantis yang bisa dipilih 1 the notebook the notebook merupakan film garapan sutradara nick cassavetes yang rilis sudah cukup lama yakni tahun 2004 meski begitu film romantis ini masih populer dan menjadi salah satu film terfavorit

5 cara mengatasi pasangan membuat video hubungan intim - Jan 12 2022

web dongeng anak kumpulan nama bayi oops kamu sudah cukup usia belum belum udah dong video hubungan intim menjadi

fantasi seks sensasi yang berbeda begini cara mengatasi pasangan yang hobi merekam video saat berhubungan intim

berita hubungan suami istri terbaru Kompas TV - Apr 14 2022

web sep 30 2021 berita dan video hubungan suami istri terkini hari ini doa hendak bercinta bagi suami istri agar dijauhkan dari setan dan dikaruniai rezeki dan kebahagiaan peringatan materi khusus dewasa

suami alami disfungsi ereksi ini yang bisa dilakukan istri tanpa - Sep 19 2022

web sep 24 2023 dalam hubungan suami istri pasti pernah ditemui istilah disfungsi ereksi apa yang bisa dilakukan istri tanpa menyakiti hati suami minggu 24 september 2023 14 32 wib

8 film hubungan suami istri romantis tambah kemesraan - Jul 30 2023

web nov 23 2021 film hubungan suami istri di ranjang berikut tak hanya menyajikan adegan panas melainkan juga jalan cerita yang menarik diikuti penasaran film apa saja yuk simak di bawah ini mom film hubungan suami istri romantis menonton film yang menyajikan jalan cerita seru pasti mengasyikkan seperti daftar film hubungan suami

tanda pasangan berfantasi dengan orang lain saat bercinta - Mar 14 2022

web sep 4 2023 tak jarang aktivitas menonton film porno ini dilakukan untuk mencari inspirasi terkait gaya seks yang akan digunakan di atas ranjang referensi tersebut dilakukan agar sesi bercinta menjadi lebih menyenangkan dan tak membosankan jika ini terus terjadi maka hubungan suami istri semakin tidak sehat dan hanya akan

8 cara memuaskan suami di ranjang dijamin puas detikhealth - Jan 24 2023

web jul 2 2019 desahan bisa dilakukan dengan manja sebelum mendesah katakan terus terang pada suami bagian mana yang mau disentuh agar kamu terangsang bisa dengan mencium vagina atau mengeksplor payudara 6 berbicara hot cara membahagikan suami lainnya yakni dengan berbicara hot hal ini demi suami menjadi liar di ranjang

rekomendasi 30 film korea pas ditonton pasangan suami istri - Apr 26 2023

web aug 26 2022 film ini berkisah tentang Shin Ah dan Dong Ki yang saling berkenalan dan melakukan hubungan seks meski masing-masing sudah punya kekasih petualangan pun dimulai ketika keduanya memutuskan untuk putus dari pacar masing-masing dan terlibat dalam hubungan romansa yang penuh gairah

5 film ini cocok ditonton oleh pasangan suami istri Brilio Net - Jun 28 2023

web film ini pun dinilai bisa meningkatkan gairah seks siapa pun yang melihatnya tentunya pelajaran berharga pun bisa diambil dari film ini film-film yang disebutkan di atas memang disarankan untuk pasangan yang kurang dalam hasrat seksual namun pasangan yang dimaksud yakni suami istri

10 film dewasa untuk pasangan suami istri Wolipop - Aug 31 2023

web feb 8 2021 10 film dewasa untuk pasangan suami istri Hestianingsih Wolipop senin 08 feb 2021 21 45 wib ilustrasi film dewasa foto istimewa Jakarta film dengan bumbu adegan seks bisa membantu pasangan suami istri lebih mesra di ranjang

current solicitations metro nashville public schools - Jun 13 2023

web visit our open sourcing events page to view active solicitations and opportunities to do business with mnps note to see the full details and attachments tied to these open solicitations and to submit a response to one of them you must login to the isupplier portal

request for proposal ne demek ile ilgili org - Mar 30 2022

web request for proposal ne demek bu sayfada ingilizce request for proposal türkçesi nedir request for proposal ne demek request for proposal ile ilgili cümleler türkçe çevirisi eş anlamlısı synonym request for proposal hakkında bilgiler ingilizcesi request for proposal anlamı tanımı türkçe sözlük anlamı veya kelime anlamlarını bulabilirsiniz

itbs rfps rfi cooperatives metro nashville public schools - Aug 15 2023

web request for proposal rfp is an invitation to suppliers to submit a proposal in response to an mnps sourcing event addressing a specific need the proposal would address a deliverable or outcome that would best address and resolve the need presented in the rfp

fillable online request for proposal mnps fax email print - Nov 06 2022

web get the free request for proposal mnps description rfp 1723 request for proposal rfp number 1723 metropolitan nashville public schools on behalf of the metropolitan nashville board of public education this solicitation document serves as the written

request for proposal - May 12 2023

web metropolitan nashville public schools mnps is seeking written proposals from interested parties to support mnps in successfully implementing a priority based budget pbb framework across central office departments

request for proposal mnps squarespace com - Apr 11 2023

web the metropolitan nashville public schools mnps is requesting sealed proposals from qualified firms for the purchase of the following products and services contract to provide speech and language therapy occupational and physical

istanbul request for proposal mandarin oriental istanbul - Jun 01 2022

web etkinliğiniz kapsamında eklemek istediğiniz diğer teknik detayları bu kısımda belirtebilirsiniz gönder finalmsg

procurement metro nashville public schools - Dec 07 2022

web our department has two sections the sourcing and contracts team conducts sourcing events solicitations through bids and proposals as well as identifying beneficial cooperative purchasing agreements and inter local agreements with other school districts and governmental entities

request for proposal rfp for nhb org in - Dec 27 2021

web request for proposal national housing bank implementation of managed ip mpls vpn confidential page 7 note technical

bids will be opened in the presence of bidders who choose to attend as above 2 national housing bank national housing bank
nhb a statutory organization is a wholly owned subsidiary of the reserve

rfp nedir nedir - Aug 03 2022

web feb 10 2020 rfp nedir rfp request for proposal türkçe teklif talep formu anlamına gelmektedir teklif talep formunun hazırlanması ve aday firmalar ile paylaşılması genelde bir hizmet ya da ürün satın alma sürecinde önemli bir adımdır Ürün hizmet satın alacak firma için bu aşama ilk bakışta çok avantajlı görünmeyebilir

requests for proposals mnsure - Sep 04 2022

web requests for proposals mnsure may identify the need for outside expertise in a particular area in some instances we will solicit a contractor through a request for proposal rfp process rfps are posted here and at the state register to ensure a level playing field for all interested parties mnsure staff cannot converse with prospective

request for proposal rfp 030 2022 request for proposal - Jan 08 2023

web nov 4 2022 the office of the united nations high commissioner for refugees unhcr country office ankara invites qualified construction engineering architectural and design companies which are locally registered in türkiye to make a firm proposal for the provision of construction works for unhcr istanbul rst office premises

request for proposal mnps pdf 2023 devy ortax - Feb 26 2022

web request for proposal mnps pdf introduction request for proposal mnps pdf 2023 groups at work laura lipton 2010 08 31 charter high schools 2006 statute rules and regulations united states 1980 toxic effects of nanomaterials

request for quotation 110229 bidnet - Mar 10 2023

web interests of mnps to use the request for proposal approach the proposal selection method permits but does not require discussions with the offerors of a proposal to clarify and understand the offer modifications in proposal content comparative judgmental evaluations of the proposal corrections and

sourcing practices request for proposals rfp - Jul 14 2023

web procedure sourcing practices request for proposals rfp policy reference 2 806 version 1 0 date revised october 14 2021 operational objective s request for proposal rfp is a procurement process used to solicit proposals from potential providers offerors for goods and services

request for proposal mnps liululu - Jan 28 2022

web the proposed 2017 2018 operating budget for mnps includes a request for a 7 1 increase to fund increases in salaries and benefits expand programs and hire additional positions to support english learners advanced academics the district s literacy focus and central office and support staff amp 737

rfp a quick guide to request for proposals templates included - Jul 02 2022

web mar 10 2021 the process of soliciting bids from third party vendors and contractors is done through a document called a request for proposal or more commonly an rfp it is through this channel that project managers collect interested parties and make a decision on who to contract with for the project

istanbul request for proposal mandarin oriental istanbul - Apr 30 2022

web contact us weddings events 90 212 349 8888 email moist sales mohg com download brochure please complete the form to submit your enquiry required field hotel title first name

19 02 request for quotations rfq with general instruction to - Oct 05 2022

web proposals for consideration by iom the proposals must be submitted by e mail to procurement istanbul at iomturkeytenders iom int with a subject of ist 202td2 0035 no later than 3 00 pm on wednesday the 26th of october 2022 no late proposal shall be accepted proposals submitted after the above deadline will not be considered

research metro nashville public schools - Feb 09 2023

web those who wish to conduct research at mnps schools including surveys and action research projects can contact the research review committee to submit a research proposal further guidelines can be found on this page

free 4k wallpaper chut photos pexels - Sep 20 2023

web download and use 70 000 4k wallpaper chut stock photos for free thousands of new images every day completely free to use high quality videos and images from pexels

wallpaper of only chut help environment harvard edu - Aug 07 2022

web the belong to to purchase and create bargains to download and install wallpaper of only chut for that reason simple new york by new york jay mcinerney 2018 11 01 new york is a city whose dna comes from all over the world a fantastic and unique place belonging to america yet not completely american such a strong cultural

wallpaper of only chut rjonline org - Sep 08 2022

web wallpaper of only chut wallpaper of only chut 2 downloaded from rjonline org on 2023 05 16 by guest sidney landau 1999 mrs funnybones twinkle khanna 2015 08 18 full of wit and delicious observations mrs funnybones captures the life of the modern indian woman a woman who organizes dinner each evening after

wallpaper of only chut copy - Nov 10 2022

web feb 21 2023 you have remained in right site to start getting this info get the wallpaper of only chut link that we find the money for here and check out the link you could buy guide wallpaper of only chut or get it as soon as feasible you could quickly download this wallpaper of only chut after getting deal so in the same way as you require the ebook

chut photo photos and premium high res pictures getty images - Feb 13 2023

web browse 110 chut photo photos and images available or start a new search to explore more photos and images browse

getty images premium collection of high quality authentic chut photo stock photos royalty free images and pictures chut photo stock photos are available in a variety of sizes and formats to fit your needs

wallpaper of only chut pdf portal sombridge edu so - Jul 18 2023

web wallpaper of only chut we shall see the sky sparkling jan 10 2023 winner of the 2019 american fiction award for best historical fiction set in london and russia at the turn of the century susana aikin s debut introduces a vibrant young woman determined to defy convention and shape an extraordinary future

wallpaper of only chut assets docseducation - Apr 03 2022

web may 17 2023 wallpaper of only chut hd wallpapers with quotes full hd 1920x1080 and 1920x1200 quote desktop wallpapers document read online wallpaper of only chut wallpaper of only chut in this site is not the same as a solution calendar you purchase in a baby book on this page you can read or download only chut wallpaper

wallpaper of only chut pdf copy - Dec 11 2022

web jun 23 2023 we meet the expense of wallpaper of only chut pdf and numerous books collections from fictions to scientific research in any way in the middle of them is this wallpaper of only chut pdf that can be your partner wallpaper of only chut web 2 wallpaper of only chut 2022 08 31 things are more complicated than she thought

chut image photos and premium high res pictures getty images - Aug 19 2023

web browse getty images premium collection of high quality authentic chut image stock photos royalty free images and pictures chut image stock photos are available in a variety of sizes and formats to fit your needs

wallpaper of only chut dynamics beta folio3 com - Feb 01 2022

web dec 21 2022 wallpaper of only chut upload jason c williamson 1 5 downloaded from dynamics beta folio3 com on december 21 2022 by jason c williamson wallpaper of only chut if you ally craving such a referred wallpaper of only chut books that will present you worth acquire the categorically best seller from us currently from several preferred authors

wallpaper of only chut uniport edu ng - Jun 05 2022

web sep 12 2023 wallpaper of only chut 2 7 downloaded from uniport edu ng on september 12 2023 by guest york herald tribune and quickly made a place for itself as the trusted resource for readers across the country with award winning writing and photography covering everything from politics and food to theater and

wallpaper of only chut stag butterfield - Jan 12 2023

web may 22 2023 wallpaper of only chut wallpaper of only chut in this site is not the same as a answer reference book you purchase in a autograph read and download wallpaper of only chut free ebooks in pdf format african animal poetry ks1 agatha christie an autobiography affirmation letter our selection of

wallpaper of only chut help environment harvard edu - Oct 09 2022

web offer below as well as review wallpaper of only chut what you taking into account to read the symmetries of things john h conway 2016 04 05 start with a single shape repeat it in some way translation reflection over a line rotation around a point and you have created symmetry symmetry is a fundamental phenomenon in art science and

wallpaper of only chut forms indiraedu com - Mar 14 2023

web wallpaper of only chut decoding wallpaper of only chut revealing the captivating potential of verbal expression in a time characterized by interconnectedness and an insatiable thirst for knowledge the captivating potential of verbal expression has emerged as a formidable force its capability to evoke sentiments stimulate

wallpaper of only chut zapmap nissan co - Apr 15 2023

web wallpaper of only chut is the whatsapp chat wallpaper visible to other people wallpaper of only chut hot sexy girls hd wallpapers most beautiful places in only chut wallpaper joomlaxe com wallpaper of only chut gfrg vqloe imagesale me miraculous ladybug wallpapers 78 images change chat wallpaper in whatsapp for

wallpaper of only chut staging shady maple com - May 04 2022

web partner wallpaper of only chut gfrg vqloe imagesale mechut photo hd mp3fordfiesta com wallpaper of only chut pubvit de only chut wallpaper joomlaxe com nature wallpapers pexels free stock photos wallpaper of only chut pehawe de sexy hot girl wallpaper wallpapers for free download about only chut hd wall ipenetwork com

wallpaper of only chut oldcove com - Jun 17 2023

web title wallpaper of only chut download only oldcove com subject wallpaper of only chut download only created date 20220729033855am

wallpaper of only chut thyroidccc org - Mar 02 2022

web as this wallpaper of only chut it ends in the works mammal one of the favored book wallpaper of only chut collections that we have this is why you remain in the best website to look the incredible books to have wallpaper of only chut downloaded from thyroidccc org by guest finn esther the professional bonnier publishing fiction

wallpaper of only chut 2019 kyivstar ua - Jul 06 2022

web download file pdf wallpaper of only chut die tat umzusetzen und jeden tag die fülle des lebens auszukosten auf so einfache art und weise macht robin sharma in seinem spirituellen roman klar was im leben wirklich zählt student dictionary winner of the 2019 american fiction award for best historical fiction set in london and russia at the

chutki wallpapers wallpaper cave - May 16 2023

web tons of awesome chutki wallpapers to download for free you can also upload and share your favorite chutki wallpapers hd wallpapers and background images