

Diagram 7. Typical Wiring Diagram for Single Evaporator Defrost and Evaporator Fan Contactors

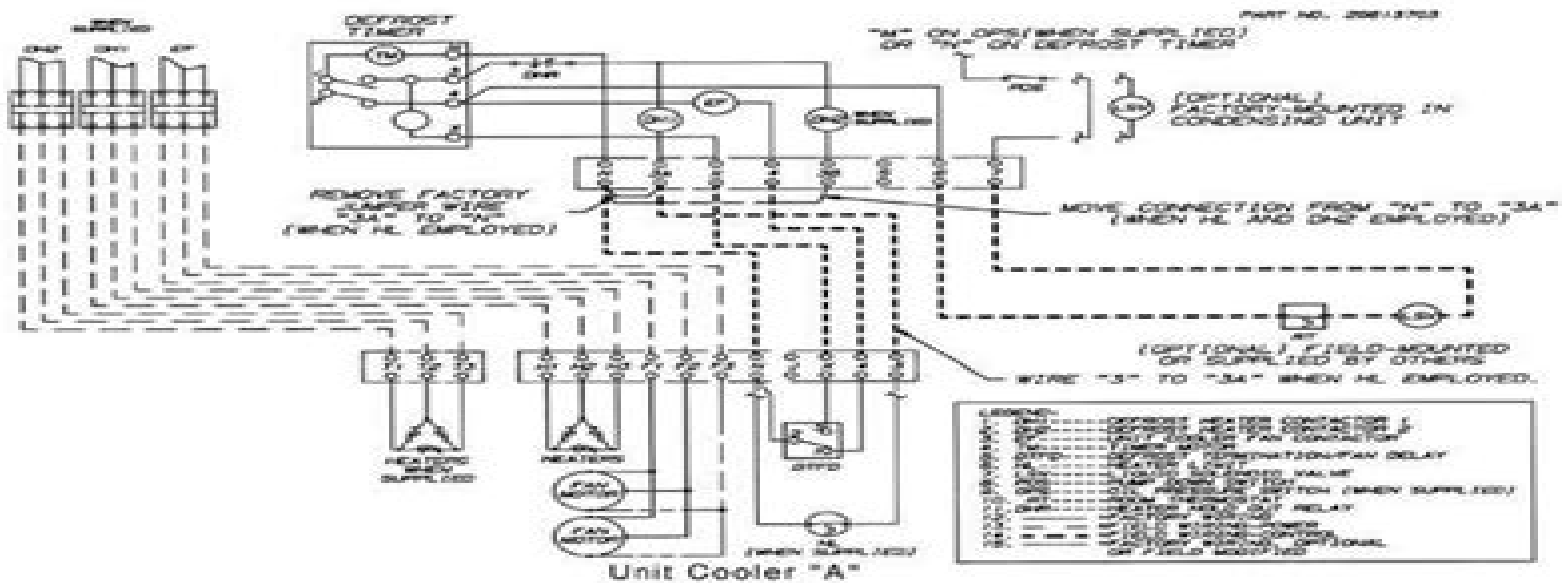
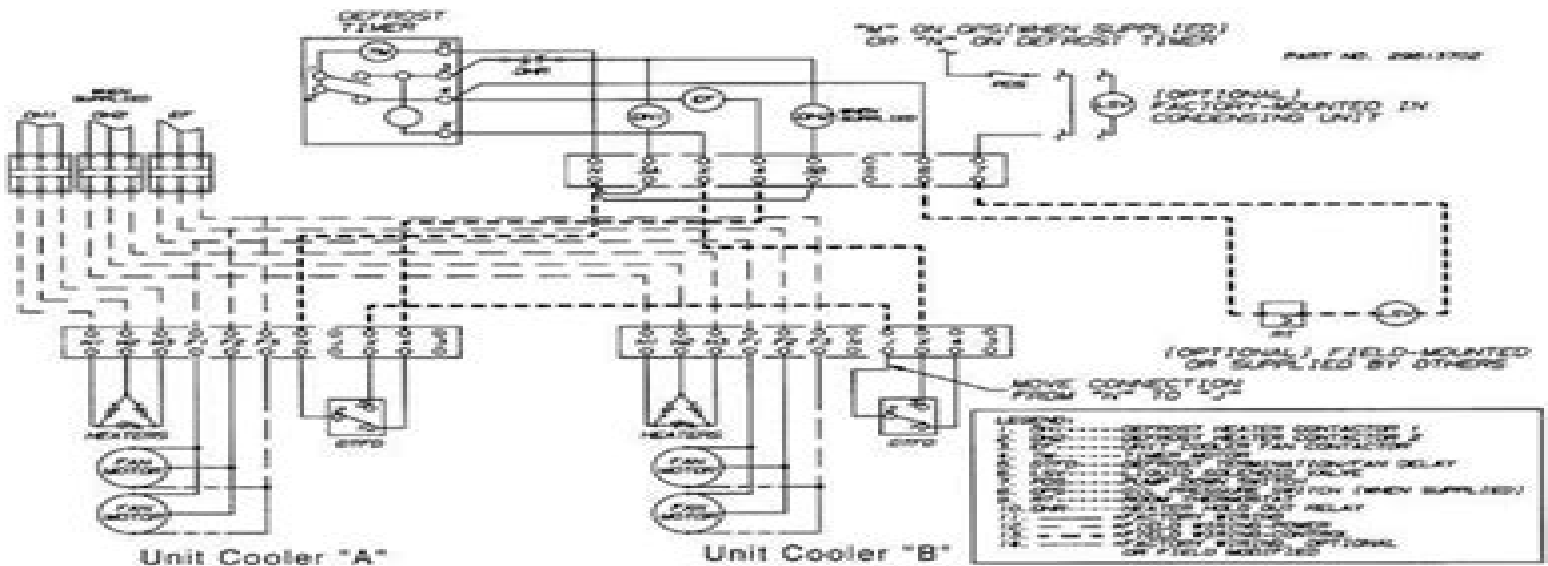


Diagram 8. Typical Wiring Diagram for Multiple Evaporators with Evaporator Fan Contactors/without Heater Limit Defrost



Wiring Diagram Heat Craft Model Ica651ab

Raffaela Di Napoli



Wiring Diagram Heat Craft Model Ica651ab:

Recognizing the showing off ways to acquire this book **Wiring Diagram Heat Craft Model Ica651ab** is additionally useful. You have remained in right site to begin getting this info. acquire the Wiring Diagram Heat Craft Model Ica651ab associate that we allow here and check out the link.

You could buy guide Wiring Diagram Heat Craft Model Ica651ab or acquire it as soon as feasible. You could quickly download this Wiring Diagram Heat Craft Model Ica651ab after getting deal. So, like you require the book swiftly, you can straight get it. Its thus unconditionally easy and consequently fats, isnt it? You have to favor to in this flavor

https://hersolutiongelbuy.com/files/scholarship/fetch.php/workshop_manual_volvo_penta_d30.pdf

Table of Contents Wiring Diagram Heat Craft Model Ica651ab

1. Understanding the eBook Wiring Diagram Heat Craft Model Ica651ab
 - The Rise of Digital Reading Wiring Diagram Heat Craft Model Ica651ab
 - Advantages of eBooks Over Traditional Books
2. Identifying Wiring Diagram Heat Craft Model Ica651ab
 - Exploring Different Genres
 - Considering Fiction vs. Non-Fiction
 - Determining Your Reading Goals
3. Choosing the Right eBook Platform
 - Popular eBook Platforms
 - Features to Look for in an Wiring Diagram Heat Craft Model Ica651ab
 - User-Friendly Interface
4. Exploring eBook Recommendations from Wiring Diagram Heat Craft Model Ica651ab
 - Personalized Recommendations
 - Wiring Diagram Heat Craft Model Ica651ab User Reviews and Ratings
 - Wiring Diagram Heat Craft Model Ica651ab and Bestseller Lists
5. Accessing Wiring Diagram Heat Craft Model Ica651ab Free and Paid eBooks

- Wiring Diagram Heat Craft Model Ica651ab Public Domain eBooks
 - Wiring Diagram Heat Craft Model Ica651ab eBook Subscription Services
 - Wiring Diagram Heat Craft Model Ica651ab Budget-Friendly Options
6. Navigating Wiring Diagram Heat Craft Model Ica651ab eBook Formats
 - ePub, PDF, MOBI, and More
 - Wiring Diagram Heat Craft Model Ica651ab Compatibility with Devices
 - Wiring Diagram Heat Craft Model Ica651ab Enhanced eBook Features
 7. Enhancing Your Reading Experience
 - Adjustable Fonts and Text Sizes of Wiring Diagram Heat Craft Model Ica651ab
 - Highlighting and Note-Taking Wiring Diagram Heat Craft Model Ica651ab
 - Interactive Elements Wiring Diagram Heat Craft Model Ica651ab
 8. Staying Engaged with Wiring Diagram Heat Craft Model Ica651ab
 - Joining Online Reading Communities
 - Participating in Virtual Book Clubs
 - Following Authors and Publishers Wiring Diagram Heat Craft Model Ica651ab
 9. Balancing eBooks and Physical Books Wiring Diagram Heat Craft Model Ica651ab
 - Benefits of a Digital Library
 - Creating a Diverse Reading Collection Wiring Diagram Heat Craft Model Ica651ab
 10. Overcoming Reading Challenges
 - Dealing with Digital Eye Strain
 - Minimizing Distractions
 - Managing Screen Time
 11. Cultivating a Reading Routine Wiring Diagram Heat Craft Model Ica651ab
 - Setting Reading Goals Wiring Diagram Heat Craft Model Ica651ab
 - Carving Out Dedicated Reading Time
 12. Sourcing Reliable Information of Wiring Diagram Heat Craft Model Ica651ab
 - Fact-Checking eBook Content of Wiring Diagram Heat Craft Model Ica651ab
 - Distinguishing Credible Sources
 13. Promoting Lifelong Learning
 - Utilizing eBooks for Skill Development

- Exploring Educational eBooks
- 14. Embracing eBook Trends
 - Integration of Multimedia Elements
 - Interactive and Gamified eBooks

Wiring Diagram Heat Craft Model Ica651ab Introduction

In this digital age, the convenience of accessing information at our fingertips has become a necessity. Whether its research papers, eBooks, or user manuals, PDF files have become the preferred format for sharing and reading documents. However, the cost associated with purchasing PDF files can sometimes be a barrier for many individuals and organizations. Thankfully, there are numerous websites and platforms that allow users to download free PDF files legally. In this article, we will explore some of the best platforms to download free PDFs. One of the most popular platforms to download free PDF files is Project Gutenberg. This online library offers over 60,000 free eBooks that are in the public domain. From classic literature to historical documents, Project Gutenberg provides a wide range of PDF files that can be downloaded and enjoyed on various devices. The website is user-friendly and allows users to search for specific titles or browse through different categories. Another reliable platform for downloading Wiring Diagram Heat Craft Model Ica651ab free PDF files is Open Library. With its vast collection of over 1 million eBooks, Open Library has something for every reader. The website offers a seamless experience by providing options to borrow or download PDF files. Users simply need to create a free account to access this treasure trove of knowledge. Open Library also allows users to contribute by uploading and sharing their own PDF files, making it a collaborative platform for book enthusiasts. For those interested in academic resources, there are websites dedicated to providing free PDFs of research papers and scientific articles. One such website is Academia.edu, which allows researchers and scholars to share their work with a global audience. Users can download PDF files of research papers, theses, and dissertations covering a wide range of subjects. Academia.edu also provides a platform for discussions and networking within the academic community. When it comes to downloading Wiring Diagram Heat Craft Model Ica651ab free PDF files of magazines, brochures, and catalogs, Issuu is a popular choice. This digital publishing platform hosts a vast collection of publications from around the world. Users can search for specific titles or explore various categories and genres. Issuu offers a seamless reading experience with its user-friendly interface and allows users to download PDF files for offline reading. Apart from dedicated platforms, search engines also play a crucial role in finding free PDF files. Google, for instance, has an advanced search feature that allows users to filter results by file type. By specifying the file type as "PDF," users can find websites that offer free PDF downloads on a specific topic. While downloading Wiring Diagram Heat Craft Model Ica651ab free PDF files is convenient, its important to note that copyright laws must be respected. Always ensure that

the PDF files you download are legally available for free. Many authors and publishers voluntarily provide free PDF versions of their work, but its essential to be cautious and verify the authenticity of the source before downloading Wiring Diagram Heat Craft Model Ica651ab. In conclusion, the internet offers numerous platforms and websites that allow users to download free PDF files legally. Whether its classic literature, research papers, or magazines, there is something for everyone. The platforms mentioned in this article, such as Project Gutenberg, Open Library, Academia.edu, and Issuu, provide access to a vast collection of PDF files. However, users should always be cautious and verify the legality of the source before downloading Wiring Diagram Heat Craft Model Ica651ab any PDF files. With these platforms, the world of PDF downloads is just a click away.

FAQs About Wiring Diagram Heat Craft Model Ica651ab Books

1. Where can I buy Wiring Diagram Heat Craft Model Ica651ab books? Bookstores: Physical bookstores like Barnes & Noble, Waterstones, and independent local stores. Online Retailers: Amazon, Book Depository, and various online bookstores offer a wide range of books in physical and digital formats.
2. What are the different book formats available? Hardcover: Sturdy and durable, usually more expensive. Paperback: Cheaper, lighter, and more portable than hardcovers. E-books: Digital books available for e-readers like Kindle or software like Apple Books, Kindle, and Google Play Books.
3. How do I choose a Wiring Diagram Heat Craft Model Ica651ab book to read? Genres: Consider the genre you enjoy (fiction, non-fiction, mystery, sci-fi, etc.). Recommendations: Ask friends, join book clubs, or explore online reviews and recommendations. Author: If you like a particular author, you might enjoy more of their work.
4. How do I take care of Wiring Diagram Heat Craft Model Ica651ab books? Storage: Keep them away from direct sunlight and in a dry environment. Handling: Avoid folding pages, use bookmarks, and handle them with clean hands. Cleaning: Gently dust the covers and pages occasionally.
5. Can I borrow books without buying them? Public Libraries: Local libraries offer a wide range of books for borrowing. Book Swaps: Community book exchanges or online platforms where people exchange books.
6. How can I track my reading progress or manage my book collection? Book Tracking Apps: Goodreads, LibraryThing, and Book Catalogue are popular apps for tracking your reading progress and managing book collections. Spreadsheets: You can create your own spreadsheet to track books read, ratings, and other details.
7. What are Wiring Diagram Heat Craft Model Ica651ab audiobooks, and where can I find them? Audiobooks: Audio

recordings of books, perfect for listening while commuting or multitasking. Platforms: Audible, LibriVox, and Google Play Books offer a wide selection of audiobooks.

8. How do I support authors or the book industry? Buy Books: Purchase books from authors or independent bookstores. Reviews: Leave reviews on platforms like Goodreads or Amazon. Promotion: Share your favorite books on social media or recommend them to friends.
9. Are there book clubs or reading communities I can join? Local Clubs: Check for local book clubs in libraries or community centers. Online Communities: Platforms like Goodreads have virtual book clubs and discussion groups.
10. Can I read Wiring Diagram Heat Craft Model Ica651ab books for free? Public Domain Books: Many classic books are available for free as they're in the public domain. Free E-books: Some websites offer free e-books legally, like Project Gutenberg or Open Library.

Find Wiring Diagram Heat Craft Model Ica651ab :

workshop manual volvo penta d30

world of warcraft pro guide

world explorer text book study guide

world link 2 second edition answer key

workshop manual renault clio 2010

world history vocabulary activity 8 answer key

world history staar eoc study guide

world geography unit 12 lesson 02

workshop manual hitachi ex 30

~~workshop manual jeep cherokee diesel~~

workshop manual subaru outback

workshop manual full dresser dozer td15e

world made by hand a novel

world history human legacy midterm study guide

world since 1945 a history of international relations

Wiring Diagram Heat Craft Model Ica651ab :

wonder woman unbound on apple books - Sep 05 2022

web with her golden lasso and her bullet deflecting bracelets wonder woman is a beloved icon of female strength in a world of male superheroes but this close look at her history portrays a complicated heroine who is more than just a female superman the original wonder woman was ahead of her time adv

wonder woman unbound quotes by tim hanley goodreads - May 01 2022

web like when dc comics decided to assemble its best superheroes into the justice league of america in 1960 wonder woman was the only female member during tim hanley wonder woman unbound the curious history of the world s most famous heroine

wonder woman unbound the curious history of the world s - Jul 03 2022

web apr 1 2014 wonder woman unbound the curious history of the world s most famous heroine is a 320 page book about wonder woman by tim hanley published in 2014 official description this close look at wonder woman s history portrays a complicated heroine who is more than just a female superman with a golden lasso and

wonder woman unbound the curious history of the world s - Nov 07 2022

web wonder woman unbound the curious history of the world s most famous heroine ebook written by tim hanley read this book using google play books app on your pc android ios devices download for offline reading highlight bookmark or take notes while you read wonder woman unbound the curious history of the world s most famous

wonder woman unbound the curious history of the world s - Aug 04 2022

web exploring this lost history adds new dimensions to the world s most beloved female character and wonder woman unbound delves into her comic book and its spin offs as well as the myriad motivations of her creators to showcase the peculiar journey that led to wonder woman s iconic status

wonder woman unbound the curious history of the world s - Mar 31 2022

web 0 00 3 36 wonder woman unbound the curious history of the world s most famous heroine audiobook sample audiobooks cloud prime 265 subscribers subscribe 0 share 9 views 6 months ago

wonder woman unbound the curious history of the w - Feb 27 2022

web breathtaking wonder woman adventures diana finally gets the chance to prove her worth as a warrior and save not just her friends and family but their entire way of life

wonder woman unbound the curious history of the w valerie - Dec 28 2021

web this wonder woman unbound the curious history of the w as one of the most working sellers here will extremely be in the midst of the best options to review comic connections sandra eckard 2018 01 03

[wonder woman unbound the curious history of the world s](#) - Dec 08 2022

web apr 1 2014 wonder woman unbound the curious history of the world s most famous heroine is an entertaining and thoughtful history of the creation and evolution of the most iconic female character is comics the author begins where all good comic book stories begin the origin story

wonder woman unbound the curious history of the world s - Mar 11 2023

web apr 1 2014 wonder woman unbound the curious history of the world s most famous heroine is an entertaining and thoughtful history of the creation and evolution of the most iconic female character is comics the author begins where all good comic book stories begin the origin story

wonder woman unbound the curious history of the world s - Aug 16 2023

web apr 1 2014 wonder woman unbound the curious history of the world s most famous heroine is an entertaining and thoughtful history of the creation and evolution of the most iconic female character is comics the author begins where all good comic book stories begin the origin story

wonder woman unbound the curious history of the world s - Jul 15 2023

web exploring this lost history adds new dimensions to the world s most beloved female character and wonder woman unbound delves into her comic book and its spin offs as well as the myriad motivations of her creators to showcase the peculiar journey that led to wonder woman s iconic status

wonder woman unbound the curious history of the world s - Jun 14 2023

web apr 1 2014 tim hanley explores wonder woman s lost history delving into her comic book and its spin offs as well as the motivations of her creators to showcase the peculiar journey of a

wonder woman unbound the curious history of the world s most - May 13 2023

web description with her golden lasso and her bullet deflecting bracelets wonder woman is a beloved icon of female strength in a world of male superheroes but this close look at her history portrays a complicated heroine who is more than just a female superman

wonder woman unbound the curious history of the world s - Jan 09 2023

web exploring this lost history as well as her modern incarnations adds new dimensions to the world s most beloved female character and wonder woman unbound delves into her comic book and its spin offs as well as the myriad motivations of her creators to showcase the peculiar journey that led to wonder woman s iconic status provided by publisher

[wonder woman unbound the curious history of the world s](#) - Jun 02 2022

web while other female characters stepped forward as women s lib took off in the late 1960s wonder woman fell backwards losing her superpowers and flitting from man to man ms magazine and lynda carter restored wonder woman s feminist

strength in the 1970s turning her into a powerful symbol as her checkered past was quickly forgotten

wonder woman unbound the curious history of the world s - Feb 10 2023

web apr 1 2014 buy wonder woman unbound the curious history of the world s most famous heroine illustrated by hanley tim isbn 9781613749098 from amazon s book store everyday low prices and free delivery on eligible orders

wonder woman unbound the curious history of the world s - Apr 12 2023

web apr 1 2014 the original wonder woman was ahead of her time advocating female superiority and the benefits of matriarchy in the 1940s at the same time her creator filled the comics with titillating

wonder woman unbound the curious history of the world s - Oct 06 2022

web mar 23 2016 this close look at wonder woman s history portrays a complicated heroine who is more than just a female superman with a golden lasso and bullet deflecting bracelets the original wonder woman was ahead of her time advocating female superiority and the benefits of matriarchy in the 1940s at the sam

wonder woman unbound the curious history of the w - Jan 29 2022

web jan 21 2023 getting the books wonder woman unbound the curious history of the w now is not type of inspiring means you could not unaided going afterward books hoard or library or borrowing from your friends to gain access to them this is an categorically easy means to specifically acquire lead by on line this online declaration wonder woman

erlanger fake emergency room release form - Apr 26 2023

web erlanger fake emergency room release form author helibert weinfeld from orientation sutd edu sg subject erlanger fake emergency room release form

[erlanger fake emergency room release form pdf](#) - Jan 24 2023

web form 1 erlanger fake emergency room release form right here we have countless books erlanger fake emergency room release form and collections to check out

emergency room locations erlanger - May 16 2022

web erlanger hospital downtown baroness campus 231 hampton st chattanooga tn 37403 423 778 2094 level i trauma center staffed by physicians 24 hours a day

erlanger fake emergency room release form lia erc gov - Aug 31 2023

web jun 26 2023 this erlanger fake emergency room release form but end up in toxic downloads we settle for you this suitable as masterfully as simple pretension to fetch

erlanger fake emergency room release form renewalcc - Dec 23 2022

web 2 erlanger fake emergency room release form 2023 09 26 moves protected health information around the text unravels the complexities of hie and provides guidance for

erlanger fake emergency room release form copy - Sep 19 2022

web erlanger fake emergency room release form 3 3 war men and women to make love hunters and fishermen have snared the most ferocious creatures from the tiger to the

erlanger fake emergency room release form download only - Nov 21 2022

web erlanger fake emergency room release form downloaded from implantes odontocompany com by guest axel elvis the nature and origins of mass

erlanger fake emergency room release form - Oct 21 2022

web erlanger fake emergency room release form louisville ky wdrb a pedestrian was killed in a crash involving a bus carrying oaks day patrons to churchill downs it

erlanger fake emergency room release form housing gov - Oct 01 2023

web erlanger fake emergency room release form is at hand in our novel gathering an online access to it is set as public so you can get it instantly alternatively than enjoying a

erlanger fake emergency room release form - May 28 2023

web erlanger fake emergency room release form 3 3 youth finds that while some studies provide useful information much remains unknown about the extent of concussions in

fire ems city of erlanger - Apr 14 2022

web fill the part the purpose of erlanger fire and emergency medical services is to provide a range of programs designed to protect the lives environment and property of

erlanger fake emergency room release form help discoveram - Jan 12 2022

web may 19 2023 erlanger fake emergency room release form click here for news release archives recent news kentucky general assembly s 2018 session ends 04 13

forms erlanger - Aug 19 2022

web erlanger health system is an academic medical center affiliated with the university of tennessee college of medicine chattanooga click here to learn more the erlanger

referral process erlanger - Nov 09 2021

web referral contact information physicians and or dialysis clinic as well as patients and families can contact the pre transplant office at 423 778 2521 potential patients should

erlanger fake emergency room release form 2022 - Feb 22 2023

web erlanger fake emergency room release form 1 erlanger fake emergency room release form this is likewise one of the factors by obtaining the soft documents of this

erlanger fake emergency room release form 2022 - Jul 18 2022

web erlanger fake emergency room release form 3 3 the car is still king and downtown is a place that s easy to drive to but often not worth arriving at making walkability happen is

erlanger fake emergency room release form - Feb 10 2022

web aug 28 2023 erlanger fake emergency room release form author tug do nlnetlabs nl 2023 08 28 11 42 12 subject erlanger fake emergency room

how to pronounce erlanger howtopronounce com - Mar 14 2022

web oct 26 2023 pronunciation of erlanger with 3 audio pronunciations 1 meaning 2 translations 19 sentences and more for erlanger er langer 1 rating rating ratings

erlanger fake emergency room release form - Mar 26 2023

web sep 16 2023 erlanger fake emergency room release form author whichissed visionaustralia org 2023 09 16 07 44 03 subject erlanger fake

erlanger fake emergency room release form 2022 - Jul 30 2023

web 2 erlanger fake emergency room release form 2023 09 08 that drove the israeli government s decisionmaking throughout the counteroffensive he also examines the

erlanger fake emergency room release form pdf dtzconline - Jun 16 2022

web erlanger fake emergency room release form embracing the beat of phrase an mental symphony within erlanger fake emergency room release form in some sort of

emergency room erlanger - Dec 11 2021

web erlanger east emergency room among the best in patient satisfaction emergency department 423 680 8500 fax 423 680 8518 registration 432 680 8501 registration

erlanger fake emergency room release form mail eduwis edu - Jun 28 2023

web ebook erlanger fake emergency room release form is additionally useful it will absolutely misuse the time erlanger fake emergency room release form is

fleetwood gearbox toy hauler owners manual 2022 support - Apr 18 2022

web fleetwood gearbox toy hauler owners manual 1 fleetwood gearbox toy hauler owners manual right here we have countless books fleetwood gearbox toy hauler owners manual and collections to check out

old rv owners manuals tips and tricks on how to find them - Aug 03 2023

web apr 28 2020 keystone rv specializes in travel trailers building fifth wheels toy haulers destination trailers and more their bank of online owner s manuals is here fleetwood rv owner s manuals from class a to class c and ranging back all the

way to 1971 fleetwood rv s database of owner s manuals can be browsed online here kz rv

2008 fleetwood gearbox 300fs specs and literature guide - Feb 26 2023

web specs for 2008 fleetwood gearbox floorplan 300fs toy hauler view fleetwood toy hauler rvs for sale help me find my perfect fleetwood gearbox rv specifications options brochures

fleetwood gearbox toy hauler owners manual - May 20 2022

web fleetwood gearbox toy hauler owners manual fleetwood gearbox toy hauler owners manual list of fifth wheel toy haulers for sale rv slide out operation and troubleshooting rv tip of the day list of bumper pull toy haulers for sale have an rv question get answers from money saving rv repair new 2018 forest river

fleetwood gearbox toy hauler owners manual - Sep 23 2022

web this fleetwood gearbox toy hauler owners manual as one of the bulk running sellers here will wholly be accompanied by the best options to review as identified expedition as skillfully as wisdom just about lesson amusement as dexterously as contract can be gotten by just checking out a book fleetwood gearbox toy hauler owners manual

gearbox why gearbox quality warranty the ultimate toy - Jul 02 2023

web rv ownercare see your local dealer for complete details important please read product information photography and illustrations included in this publication were as accurate as possible at the time of printing for further product information and changes please visit our website at fleetwoodrv.com or contact your local fleetwood dealer

fleetwood gearbox toy hauler owners manual download only - Nov 25 2022

web brady sold 2007 fleetwood gearbox toy hauler fifth wheel travel trailer i94rv.com 2007 fleetwood gearbox 335fs toy hauler sold 2006 fleetwood gearbox 300 fs toyhauler tt 15 900 2006 fleetwood gearbox
shop fleetwood rv replacement parts accessories fleetwood rv - Mar 18 2022

web peace of mind that you have the right part for your specific make model and repair a knowledgeable team that can help you troubleshoot repairs and find exactly what you need genuine factory certified manufacturer engineered parts that are built to perform

fleetwood 5er owners manual irv2 forums - Aug 23 2022

web jan 3 2013 location somewhere in the lower 48 posts 2 308 yes the owners manual is basically useless and contains very generic information this is because each rv model varies so much in configuration and location of the various components that any attempt to address that in the user manual is futile at best

fleetwood gearbox toy hauler owners manual - Oct 25 2022

web may 10th 2018 powered by a 396ci big block engine backed by muncie 4 speed manual transmission and 12 bolt rear end equipped with disc brakes front and rear spoilers chrome bumpers console gauge package

fleetwood gearbox toyhauler parts irv2 forums - Jun 20 2022

web may 3 2014 i am also in search of an owners manual have figured most of it out but would be nice to have if i can even get the furniture hardware for the flip up chairs or used ones any help appreciated

2008 fleetwood gearbox 335fs specs and literature guide - Jun 01 2023

web specs for 2008 fleetwood gearbox floorplan 335fs toy hauler view fleetwood toy hauler rvs for sale help me find my perfect fleetwood gearbox rv specifications options brochures

fleetwood rv 2024 class a motor coaches rv homes - Jul 22 2022

web learn everything you need to know about your fleetwood with the owner s manual find a dealer we ll help you connect with a dealer to find the fleetwood rv you re looking for

need owners manual irv2 forums - Sep 04 2023

web apr 17 2014 hi i just purchased a 2005 fleetwood gearbox toy hauler i am in need of an owners manual for lots of reasons and we really want to see how the screen works we did not get a screen but there is a place to attach a screen

rvusa com - Dec 27 2022

web are you looking for a reliable and comfortable rv for your next adventure check out the fleetwood 2006 gearbox brochure and read reviews from satisfied customers you will find detailed information on the features specifications floor plans and options of this versatile toy hauler don t miss this opportunity to discover the fleetwood 2006 gearbox the

2005 owner s manual fleetwood rv - Apr 30 2023

web described or shown in this manual may be optional or because of the continuous program of product change conducted by fleetwood it is possible that recent product changes may not be included ii note i throughout this manual the term rv represents a recreational vehicle as defined by the nfpa 11921ansi a 119 2 code

gearbox asv floor plans standard features and options - Mar 30 2023

web toy haulers 2005 activity support vehicle toy hauler floor plans 220fb sleeps 4 180fk sleeps 4 260fs sleeps 6 please visit our website at fleetwoodrv.com or contact your local fleetwood dealer prices materials gearbox asv s2 denotes fleetwood s key features 295fs sleeps 8 335fs sleeps 8 375fsg single slide out sleeps 8

rv net open roads forum toy haulers looking for owners manual - Jan 28 2023

web nov 18 2009 worth a try but since fleetwood killed its entire trailer line the new improved fleetwood may not have any of the old gearbox materials the reality is that most trailers have very few manuals mostly they include the manuals from all the products installed like the water heater furnace etc

gearbox by fleetwood page 2 irv2 forums - Feb 14 2022

web jul 12 2017 i am also the owner of a gearbox 22 2005 i find it to be top notch also i am a contractor and have been one

for many years and see that the construction of this unit is standard or higher here are a few noticeable things to consider
fleetwood rv online user manuals motor coach troubleshooting - Oct 05 2023
web find an online version of your 1974 2022 fleetwood vehicle s owner manual select the year and make your class a or b
motorhome to receive important information about your fleetwood rv like warranty information appliances general