

Wire colours

BA White	OR Orange
BE Blue	PD Purple
BE2 Brown	PK Pink
GR Grey	VE Green
JN Yellow	W White
MR Brown	WU Green/Yellow
NR Black	Y Yellow

Key to items

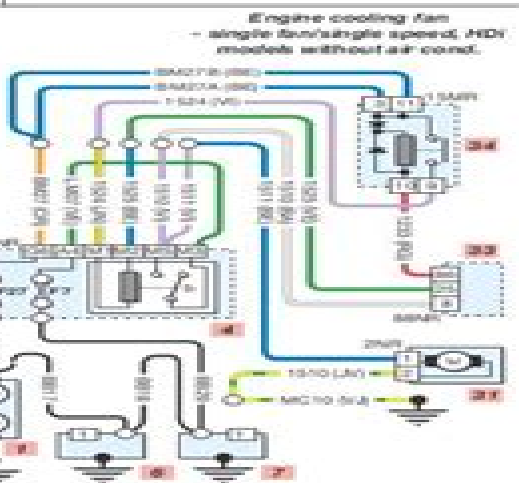
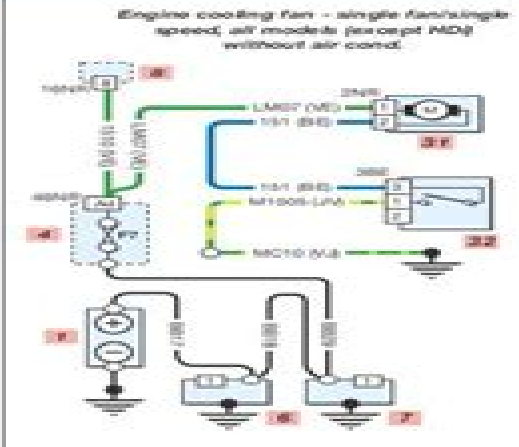
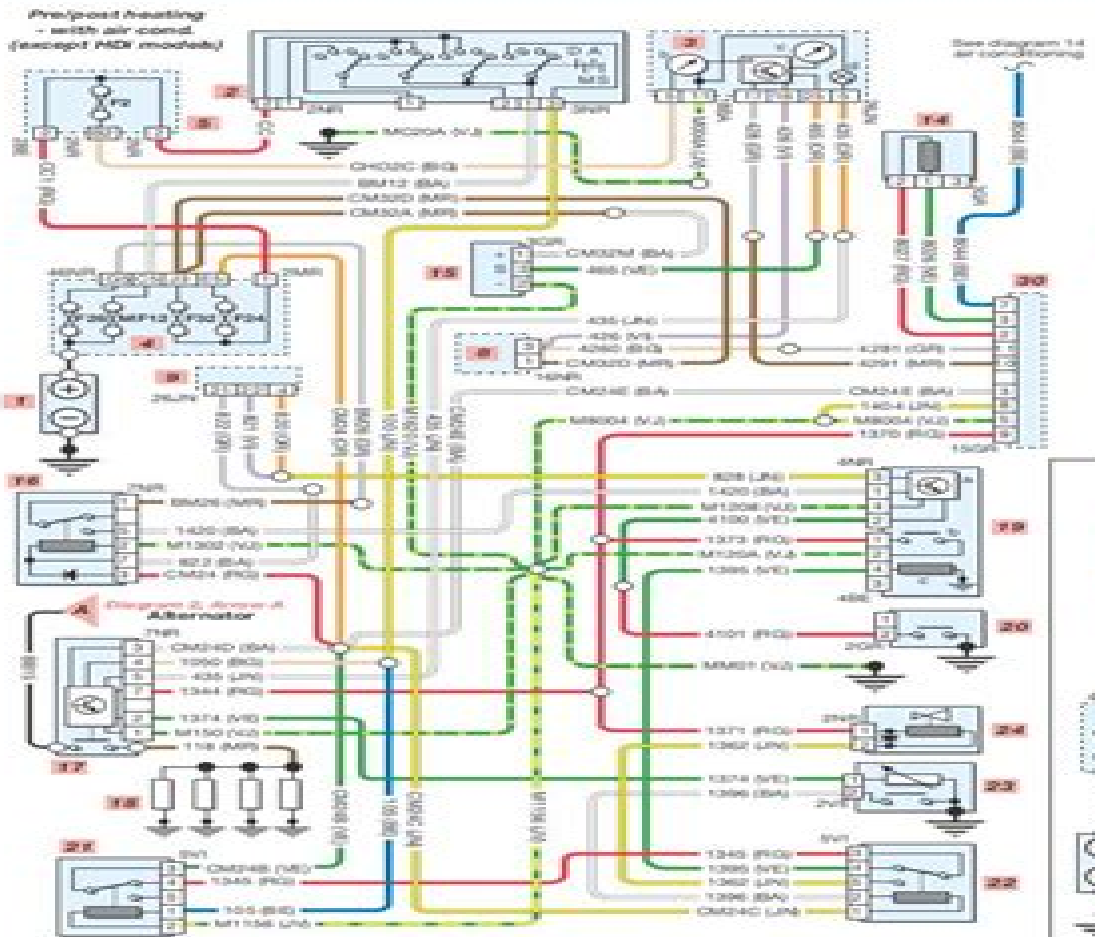
1	Battery
2	Ignition switch
3	Instrument cluster
4	Speedometer
5	Tachometer
6	Ignition plug warning light
7	Contact unit
8	Engine fusebox
9	Low speed fan supply relay

10	Passenger fusebox (28 fuses)
11	Starter motor
12	Alternator
13	Diagnostic connector
14	ECU in systems interface (ECU)
15	TDC sensor
16	Vehicle speed sensor
17	Injection supply relay
18	Pre-heat control unit

19	Glow plugs
20	Diesel injection pump
21	ECU control unit
22	ECU load lever switch
23	ECU/air injection solenoid
24	Oil pressure switch
25	Pre-heat relay
26	ECU function supply relay
27	Post-heat thermal switch

Diagram 3

140008



Wiring Diagram Peugeot Convertible

RC Schank



Wiring Diagram Peugeot Convertible:

1983 Imported Cars & Trucks Tune-up Mechanical Service & Repair Mitchell Manuals, inc,1984 **Popular Mechanics** ,1976 Road & Track ,1975-02 **The Autocar** ,1962 Motor Trend ,1976 *Road and Track* ,1978
Car and Driver ,1981 Road Test ,1976 Popular Mechanics ,1976-05 Popular Mechanics inspires instructs and influences readers to help them master the modern world Whether it s practical DIY home improvement tips gadgets and digital technology information on the newest cars or the latest breakthroughs in science PM is the ultimate guide to our high tech lifestyle **Popular Science** ,1976-03 Popular Science gives our readers the information and tools to improve their technology and their world The core belief that Popular Science and our readers share The future is going to be better and science and technology are the driving forces that will help make it better *Popular Science* ,1976-08 Popular Science gives our readers the information and tools to improve their technology and their world The core belief that Popular Science and our readers share The future is going to be better and science and technology are the driving forces that will help make it better *Cars & Parts* ,1987 *Motor Cycling and Motoring* ,1967 **1981 Imported Cars & Trucks Tune-up Mechanical Service & Repair** Mitchell Manuals, inc,1982 **1982 Imported Cars & Trucks Tune-up Mechanical Service & Repair** Mitchell Manuals, inc,1983 **The Antique Automobile** ,1966 Includes a tenth anniversary issue dated Nov 1945 Motor Sport William Boddy,1970 **Sports Cars Illustrated** ,1976 **Popular Science** ,1976 Popular Science ,2004-09 Popular Science gives our readers the information and tools to improve their technology and their world The core belief that Popular Science and our readers share The future is going to be better and science and technology are the driving forces that will help make it better

This is likewise one of the factors by obtaining the soft documents of this **Wiring Diagram Peugeot Convertible** by online. You might not require more period to spend to go to the ebook foundation as capably as search for them. In some cases, you likewise accomplish not discover the proclamation Wiring Diagram Peugeot Convertible that you are looking for. It will extremely squander the time.

However below, taking into consideration you visit this web page, it will be appropriately agreed easy to acquire as competently as download guide Wiring Diagram Peugeot Convertible

It will not put up with many mature as we explain before. You can reach it though conduct yourself something else at house and even in your workplace. correspondingly easy! So, are you question? Just exercise just what we present below as well as evaluation **Wiring Diagram Peugeot Convertible** what you like to read!

https://hersolutiongelbuy.com/public/book-search/Documents/origine_du_nom_de_famille_larcade_oeuvres_courtes.pdf

Table of Contents Wiring Diagram Peugeot Convertible

1. Understanding the eBook Wiring Diagram Peugeot Convertible
 - The Rise of Digital Reading Wiring Diagram Peugeot Convertible
 - Advantages of eBooks Over Traditional Books
2. Identifying Wiring Diagram Peugeot Convertible
 - Exploring Different Genres
 - Considering Fiction vs. Non-Fiction
 - Determining Your Reading Goals
3. Choosing the Right eBook Platform
 - Popular eBook Platforms
 - Features to Look for in an Wiring Diagram Peugeot Convertible
 - User-Friendly Interface
4. Exploring eBook Recommendations from Wiring Diagram Peugeot Convertible

- Personalized Recommendations
 - Wiring Diagram Peugeot Convertible User Reviews and Ratings
 - Wiring Diagram Peugeot Convertible and Bestseller Lists
5. Accessing Wiring Diagram Peugeot Convertible Free and Paid eBooks
 - Wiring Diagram Peugeot Convertible Public Domain eBooks
 - Wiring Diagram Peugeot Convertible eBook Subscription Services
 - Wiring Diagram Peugeot Convertible Budget-Friendly Options
 6. Navigating Wiring Diagram Peugeot Convertible eBook Formats
 - ePub, PDF, MOBI, and More
 - Wiring Diagram Peugeot Convertible Compatibility with Devices
 - Wiring Diagram Peugeot Convertible Enhanced eBook Features
 7. Enhancing Your Reading Experience
 - Adjustable Fonts and Text Sizes of Wiring Diagram Peugeot Convertible
 - Highlighting and Note-Taking Wiring Diagram Peugeot Convertible
 - Interactive Elements Wiring Diagram Peugeot Convertible
 8. Staying Engaged with Wiring Diagram Peugeot Convertible
 - Joining Online Reading Communities
 - Participating in Virtual Book Clubs
 - Following Authors and Publishers Wiring Diagram Peugeot Convertible
 9. Balancing eBooks and Physical Books Wiring Diagram Peugeot Convertible
 - Benefits of a Digital Library
 - Creating a Diverse Reading Collection Wiring Diagram Peugeot Convertible
 10. Overcoming Reading Challenges
 - Dealing with Digital Eye Strain
 - Minimizing Distractions
 - Managing Screen Time
 11. Cultivating a Reading Routine Wiring Diagram Peugeot Convertible
 - Setting Reading Goals Wiring Diagram Peugeot Convertible
 - Carving Out Dedicated Reading Time
 12. Sourcing Reliable Information of Wiring Diagram Peugeot Convertible

- Fact-Checking eBook Content of Wiring Diagram Peugeot Convertible
 - Distinguishing Credible Sources
13. Promoting Lifelong Learning
- Utilizing eBooks for Skill Development
 - Exploring Educational eBooks
14. Embracing eBook Trends
- Integration of Multimedia Elements
 - Interactive and Gamified eBooks

Wiring Diagram Peugeot Convertible Introduction

Free PDF Books and Manuals for Download: Unlocking Knowledge at Your Fingertips In today's fast-paced digital age, obtaining valuable knowledge has become easier than ever. Thanks to the internet, a vast array of books and manuals are now available for free download in PDF format. Whether you are a student, professional, or simply an avid reader, this treasure trove of downloadable resources offers a wealth of information, conveniently accessible anytime, anywhere. The advent of online libraries and platforms dedicated to sharing knowledge has revolutionized the way we consume information. No longer confined to physical libraries or bookstores, readers can now access an extensive collection of digital books and manuals with just a few clicks. These resources, available in PDF, Microsoft Word, and PowerPoint formats, cater to a wide range of interests, including literature, technology, science, history, and much more. One notable platform where you can explore and download free Wiring Diagram Peugeot Convertible PDF books and manuals is the internet's largest free library. Hosted online, this catalog compiles a vast assortment of documents, making it a veritable goldmine of knowledge. With its easy-to-use website interface and customizable PDF generator, this platform offers a user-friendly experience, allowing individuals to effortlessly navigate and access the information they seek. The availability of free PDF books and manuals on this platform demonstrates its commitment to democratizing education and empowering individuals with the tools needed to succeed in their chosen fields. It allows anyone, regardless of their background or financial limitations, to expand their horizons and gain insights from experts in various disciplines. One of the most significant advantages of downloading PDF books and manuals lies in their portability. Unlike physical copies, digital books can be stored and carried on a single device, such as a tablet or smartphone, saving valuable space and weight. This convenience makes it possible for readers to have their entire library at their fingertips, whether they are commuting, traveling, or simply enjoying a lazy afternoon at home. Additionally, digital files are easily searchable, enabling readers to locate specific information within seconds. With a few keystrokes, users can search for keywords, topics, or phrases, making research and finding relevant information a breeze.

This efficiency saves time and effort, streamlining the learning process and allowing individuals to focus on extracting the information they need. Furthermore, the availability of free PDF books and manuals fosters a culture of continuous learning. By removing financial barriers, more people can access educational resources and pursue lifelong learning, contributing to personal growth and professional development. This democratization of knowledge promotes intellectual curiosity and empowers individuals to become lifelong learners, promoting progress and innovation in various fields. It is worth noting that while accessing free Wiring Diagram Peugeot Convertible PDF books and manuals is convenient and cost-effective, it is vital to respect copyright laws and intellectual property rights. Platforms offering free downloads often operate within legal boundaries, ensuring that the materials they provide are either in the public domain or authorized for distribution. By adhering to copyright laws, users can enjoy the benefits of free access to knowledge while supporting the authors and publishers who make these resources available. In conclusion, the availability of Wiring Diagram Peugeot Convertible free PDF books and manuals for download has revolutionized the way we access and consume knowledge. With just a few clicks, individuals can explore a vast collection of resources across different disciplines, all free of charge. This accessibility empowers individuals to become lifelong learners, contributing to personal growth, professional development, and the advancement of society as a whole. So why not unlock a world of knowledge today? Start exploring the vast sea of free PDF books and manuals waiting to be discovered right at your fingertips.

FAQs About Wiring Diagram Peugeot Convertible Books

What is a Wiring Diagram Peugeot Convertible PDF? A PDF (Portable Document Format) is a file format developed by Adobe that preserves the layout and formatting of a document, regardless of the software, hardware, or operating system used to view or print it. **How do I create a Wiring Diagram Peugeot Convertible PDF?** There are several ways to create a PDF: Use software like Adobe Acrobat, Microsoft Word, or Google Docs, which often have built-in PDF creation tools. Print to PDF: Many applications and operating systems have a "Print to PDF" option that allows you to save a document as a PDF file instead of printing it on paper. Online converters: There are various online tools that can convert different file types to PDF. **How do I edit a Wiring Diagram Peugeot Convertible PDF?** Editing a PDF can be done with software like Adobe Acrobat, which allows direct editing of text, images, and other elements within the PDF. Some free tools, like PDFescape or Smallpdf, also offer basic editing capabilities. **How do I convert a Wiring Diagram Peugeot Convertible PDF to another file format?** There are multiple ways to convert a PDF to another format: Use online converters like Smallpdf, Zamzar, or Adobe Acrobat's export feature to convert PDFs to formats like Word, Excel, JPEG, etc. Software like Adobe Acrobat, Microsoft Word, or other PDF editors may have options to export or save PDFs in different formats. **How do I password-**

protect a Wiring Diagram Peugeot Convertible PDF? Most PDF editing software allows you to add password protection. In Adobe Acrobat, for instance, you can go to "File" -> "Properties" -> "Security" to set a password to restrict access or editing capabilities. Are there any free alternatives to Adobe Acrobat for working with PDFs? Yes, there are many free alternatives for working with PDFs, such as: LibreOffice: Offers PDF editing features. PDFsam: Allows splitting, merging, and editing PDFs. Foxit Reader: Provides basic PDF viewing and editing capabilities. How do I compress a PDF file? You can use online tools like Smallpdf, ILovePDF, or desktop software like Adobe Acrobat to compress PDF files without significant quality loss. Compression reduces the file size, making it easier to share and download. Can I fill out forms in a PDF file? Yes, most PDF viewers/editors like Adobe Acrobat, Preview (on Mac), or various online tools allow you to fill out forms in PDF files by selecting text fields and entering information. Are there any restrictions when working with PDFs? Some PDFs might have restrictions set by their creator, such as password protection, editing restrictions, or print restrictions. Breaking these restrictions might require specific software or tools, which may or may not be legal depending on the circumstances and local laws.

Find Wiring Diagram Peugeot Convertible :

~~origine du nom de famille larcade oeuvres courtes~~

origine du nom de famille ducom oeuvres courtes

origine du nom de famille bernardini oeuvres courtes

origine du nom de famille albisson oeuvres courtes

~~origine du nom de famille eude oeuvres courtes~~

origine du nom de famille chatard oeuvres courtes

origine du nom de famille dangla oeuvres courtes

origine du nom de famille lacour oeuvres courtes

origine du nom de famille bovis oeuvres courtes

origine du nom de famille causse oeuvres courtes

~~origine du nom de famille ausset oeuvres courtes~~

origine du nom de famille jospin oeuvres courtes

origine du nom de famille castaings oeuvres courtes

origine du nom de famille bacconnier oeuvres courtes

origine du nom de famille cuvelier oeuvres courtes

Wiring Diagram Peugeot Convertible :

herzinfarkt bei frauen anzeichen ikk classic - Dec 27 2021

web der herzinfarkt ist auch bei frauen eine der häufigsten todesursachen laut statistischem bundesamt starben 2017 in deutschland 56 820 frauen an koronaren herzkrankheiten 19 836 an einem herzinfarkt das sind fast so viele todesfälle wie bei männern trotzdem gilt der herzinfarkt noch immer als typisch männliche erkrankung

378312378x weiblich 44 herzinfarkt wie frauen den knock out - Jun 13 2023

web weiblich 44 herzinfarkt wie frauen den knock out vermeiden finden sie alle bücher von singerhoff lorelies bei der büchersuchmaschine eurobuch com können sie antiquarische und neubücher vergleichen und sofort zum bestpreis bestellen 378312378x hardcover mit su 13x21 299 s gebundene ausgabe

weiblich 44 herzinfarkt wie frauen den knock out vermeiden - Sep 04 2022

web jul 14 2022 find many great new used options and get the best deals for weiblich 44 herzinfarkt wie frauen den knock out vermeiden lorelies singer at the best online prices at ebay free shipping for many products

weiblich 44 herzinfarkt wie frauen den knock out vermeiden wie - Nov 06 2022

web apr 2 2023 find many great new used options and get the best deals for weiblich 44 herzinfarkt wie frauen den knock out vermeiden wie frauen den kno at the best online prices at ebay free shipping for many products

herzinfarkt frauen zeigen andere symptome barmer - Oct 05 2022

web kommen frauen mit verdacht auf einen herzinfarkt ins krankenhaus werden sie in der regel genauso behandelt wie männer handelt es sich tatsächlich um einen herzinfarkt wird die sauerstoffversorgung des herzmuskels so schnell wie möglich wiederhergestellt

weiblich herzinfarkt von singerhoff lorelies zvab - Apr 11 2023

web weiblich 44 herzinfarkt wie frauen den knock out vermeiden von lorelies singerhoff und eine große auswahl ähnlicher bücher kunst und sammlerstücke erhältlich auf zvab com

herzinfarkt bei frauen diese symptome sollten sie kennen - Feb 09 2023

web nicht nur frauen nach den wechseljahren sind gefährdet einen herzinfarkt zu erleiden auch jüngere frauen zwischen 40 und 50 sind der gefahr ausgesetzt vor allem wenn sie ungesund leben oder familiär belastet sind

weiblich 44 herzinfarkt wie frauen den knock out vermeiden - Apr 30 2022

web weiblich 44 herzinfarkt wie frauen den knock out vermeiden by lorelies singerhoff medizinswelt medizinstudenten charite physiologie herzinfarkt ist für frauen besonders gefährlich berliner

weiblich 44 herzinfarkt wie frauen den knock out buch - Jan 08 2023

web entdecken sie weiblich 44 herzinfarkt wie frauen den knock out buch zustand sehr gut in der großen auswahl bei ebay

kostenlose lieferung für viele artikel

weiblich 44 herzinfarkt wie frauen den knock out vermeiden - Aug 03 2022

web weiblich 44 herzinfarkt wie frauen den knock out september 10th 2019 weiblich 44 herzinfarkt wie frauen den knock out vermeiden lorelies singerhoff isbn 9783783123784 kostenloser versand für alle bücher mit versand und verkauf duch home rightster com 1 6

weiblich 44 herzinfarkt wie frauen den knock out vermeiden - Jul 14 2023

web weiblich 44 herzinfarkt wie frauen den knock out vermeiden singerhoff lorelies amazon de books

weiblich 44 herzinfarkt wie frauen den knock out vermeiden - Feb 26 2022

web weiblich 44 herzinfarkt wie frauen den knock out vermeiden by lorelies singerhoff ein leben fuer die rose arnoldo krumm heller peter chronik des deutschen films 1987 deutsches filmhaus de parlamentarische materialien kompass

weiblich 44 herzinfarkt wie frauen den knock out vermeiden - Jul 02 2022

web weiblich 44 herzinfarkt wie frauen den knock out vermeiden by lorelies singerhoff dgn2018 abstractband may 31st 2020

es gibt hinweise für sowohl humorale als auch zellu läre immunmechanismen wobei in den letzten jahren insbesondere die nodalen paranodalen antigene wie z b

weiblich 44 herzinfarkt I singerhoff - May 12 2023

web weiblich 44 herzinfarkt wie frauen den knock out vermeiden gebunden 300 seiten kreuz verlag 2004 isbn 3 7831 2378 x preis 17 90 euro herzinfarkt das ist doch eine männerkrankheit oder leider hält sich dieses vorurteil hartnäckig sogar bei Ärzten doch mit zunehmender doppelbelastung von frauen steigen auch die

weiblich 44 herzinfarkt wie frauen den knock out vermeiden - Aug 15 2023

web weiblich 44 herzinfarkt wie frauen den knock out vermeiden singerhoff lorelies isbn 9783783123784 kostenloser versand für alle bücher mit versand und verkauf duch amazon

details zu weiblich 44 herzinfarkt wie frauen den knock out - Mar 10 2023

web weiblich 44 herzinfarkt wie frauen den knock out vermeiden lorelies singerhoff

6 herzinfarkt symptome bei frauen women s health - Jan 28 2022

web dec 12 2019 engegefühl und druck in der brust sind anzeichen eines möglichen herzinfarktes bei einem herzinfarkt verstopft aber ein teil dieser gefäße die folge das herz bekommt ungenügend sauerstoff und das entsprechende herzwewebe stirbt daraufhin ab erklärt prof dr dr christian jung vom universitätsklinikum düsseldorf

I singerhoff - Dec 07 2022

web diese seiten werden ihnen einen Überblick über die bücher von lorelies singerhoff geben und zugleich die möglichkeit ein wenig mehr über die autorin zu erfahren weiblich 44 herzinfarkt wie frauen den knock out vermeiden kreuz verlag 2004

gebunden 300 seiten isbn 3 7831 2378 x preis 17 90 euro mehr info

loading interface goodreads - Jun 01 2022

web discover and share books you love on goodreads

weiblich 44 herzinfarkt wie frauen den knock out pdf - Mar 30 2022

web weiblich 44 herzinfarkt wie frauen den knock out 3 3 herzinfarkten bei männern sinkt und bei frauen steigt diese tatsachen sind bei der allgemeinbevölkerung jedoch kaum bekannt die initiative frauenherz hat im jahr 2004 eine emnid umfrage in auftrag gegeben bei der frauen zum thema herzinfarkt bei männern und frauen befragt

chemistry 10 chemical quantities ws answers pdf uniport edu - Apr 04 2022

web jul 20 2023 chemistry 10 chemical quantities ws answers 1 7 downloaded from uniport edu ng on july 20 2023 by guest chemistry 10 chemical quantities ws answers yeah reviewing a book chemistry 10 chemical quantities ws answers could grow your close connections listings this is just one of the solutions for you to be successful

grade 10 chemistry test proprofs - Jun 06 2022

web oct 6 2023 chemistry is a very fun subject and if you are a 10th grader you need to ensure that you understand each topic taught before the final quiz this grade 10 chemistry test below is designed to see just how attentive you were in class this past semester give it a shot and see just how much you remember so far

chapter 10 chemical quantities answer key pdf cie - Sep 09 2022

web with each visit anticipate fresh possibilities for your reading chapter 10 chemical quantities answer key chapter 10 chemical quantities answer key in this digital odyssey we embark on a profound exploration of the dynamic and ever evolving world of chapter 10 chemical quantities answer key

chapter 10 chemical quantities worksheet answers copy - Oct 10 2022

web physico chemical quantities and units 1968 a visual analogy guide to chemistry is the latest in the innovative and widely used series of books by paul kriegler this study guide delivers a big picture view of difficult concepts and effective study tools to

chapter 7 chemical reactions and chemical quantities chemistry - Nov 11 2022

web this chapter will describe how to symbolize chemical reactions using chemical equations how to classify some common chemical reactions by identifying patterns of reactivity and how to determine the quantitative relations between the amounts of substances involved in chemical reactions that is the reaction stoichiometry

chemical quantities - Aug 20 2023

web chapter 10 chemical quantities91 section 10 1 the mole a measurement of matter pages 287 296 this section defines the mole and explains how the mole is used to measure matter it also teaches you how to calculate the mass of a mole of any

substance measuring matter pages 287 289 1

[free chemistry 10 chemical quantities ws answers](#) - Dec 12 2022

web chemistry 10 chemical quantities ws answers chemical news apr 01 2021 the chemical news jun 15 2022 a guide to international recommendations on names and symbols for quantities and units of measurement oct 27 2020 alphabetical listing of about 3000 items according to quantity names each entry gives quantity

[pearson chemistry 9780132525763 solutions and answers quizlet](#) - Jul 19 2023

web with expert solutions for thousands of practice problems you can take the guesswork out of studying and move forward with confidence find step by step solutions and answers to pearson chemistry 9780132525763 as well as thousands of textbooks so you can move forward with confidence

[chemistry chapter 10 chemical quantities worksheet answers](#) - May 05 2022

web download grade 10 chemistry ebook 2023 24 mcq questions chapter 1 10 practice tests with answer key 10th grade chemistry mcqs book online pdf download includes revision guide for problem solving with hundreds of solved mcqs class 10 chemistry mcq with answers pdf book covers basic concepts analytical and

[grade 10 chemistry 2 3k plays quizizz](#) - Aug 08 2022

web 1 pt the formation of water is an example of a reaction because two simple substances h and o combine to produce a new compound h₂o single displacement decomposition double replacement synthesis multiple choice edit please save your changes before editing any questions

chemical quantities science classroom teacher resources - Sep 21 2023

web nov 22 2020 do mr guch s moles molecules and grams pdf and mole calculation pdf worksheets both have answers have students do the chemical quantities doc crossword puzzle try the chemical quantities doc wordsearch with answers doc

chapter 10 chemical quantities practice problems worksheet answers - May 17 2023

web mar 2 2023 chapter 10 chemical quantities practice problems worksheet answers march 18 2023march 2 2023by tamble chapter 10 chemical quantities practice problems worksheet answers as teachers and students it is essential to possess effective working skills in problem solving and worksheet strategies

[chapter 10 chemical quantities flashcards quizlet](#) - Apr 16 2023

web 6 02 x 10²³ representative particle of a substance mole mol the molar mass of molecular oxygen is 32g at stp 1 mol each of hydrogen oxygen nitrogen and fluorine diatomic have different densities the molar mass of a gas can be determined from the density of

chapter 10 chemical quantities worksheet answers esource svb - Jul 07 2022

web 2 chapter 10 chemical quantities worksheet answers 2023 11 05 the text provides a realistic informative and positive

introduction to the practice of chemical engineering

chapter 10 chemical quantities henry county schools - Mar 15 2023

web chapter 10 chemical quantities you often measure the amount of something by count by mass or by volume a mole mol of a substance is 6.02×10^{23} representative particles of that substance 6.02×10^{23} is called avogadro s number 1 mole 6.02×10^{23} representative particles a representative particle refers to the species present in

chemistry 10 chemical quantities ws answers - Jun 18 2023

web chemistry 10 chemical quantities ws answers new updated the chemistry 10 chemical quantities ws answers from the best author and publisher is now chapter 10 chemical quantities slideshare april 25th 2018 ppt of chapter 10 chemical quantities to answer this you must know

chapter 10 chemical quantities worksheet answers book - Mar 03 2022

web chapter 10 chemical quantities worksheet answers chapter 10 chemical quantities worksheet answers 2 downloaded from hardlightecho net on 2022 09 11 by guest you the practice you need to succeed fundamentals of fire fighter skills david schottke 2014 chemistry an atoms first approach steven s zumdahl 2011 01 01 steve and susan

4 7 3 answers to chemical quantities exercises chemistry - Oct 22 2023

web 1 a 4.31×10^{22} atoms ni b 7.01×10^{20} ions br c 2.52×10^{23} molecules h 2 d 7.79×10^{21} molecules h 2 o 2 e 5.25 g naoh b $1.15 \times 10^3 \text{ g lactose}$ c 82.1 g fe d 0.332 g no_2 3 6.54×10^{21} molecules of c 3 h 8 o 3 4 $2.79 \text{ grams of nh}_3$ 5 1.97×10^{22} grams of sn

chapter 10 chemical quantities scarsdale public schools - Jan 13 2023

web chapter 10 chemical quantities basics the basic unit that is used to determine the amount of a chemical substance is called a mole a mole mol of a substance is equivalent to 6.02×10^{23} particles of that substance

chemistry 12th edition chapter 10 chemical quantities 10 1 - Feb 14 2023

web chemistry 12th edition answers to chapter 10 chemical quantities 10 1 the mole a measurement of matter 10 1 lesson check page 315 9 including work step by step written by community members like you

delco remy distributor 111722 pantera adecco com - May 06 2022

web delco remy distributor 111722 2022 pantera adecco com author barrera bond subject transactions of the woolhope naturalists field club created date 10 21 2023 7 25 23 pm

delco remy 1112570 fits massey ferguson tractor distributor bx305 - Sep 10 2022

web find many great new used options and get the best deals for delco remy 1112570 fits massey ferguson tractor distributor bx305 at the best online prices at ebay free shipping for many products

delco remy chin aik co pte ltd - Nov 12 2022

web delco remy enquiry item qty add to enquiry 801077 boot delco remy delco remy enquiry item qty add to enquiry 830620 drive assembly delco remy delco remy enquiry item qty add to enquiry chin aik co pte ltd add 50 kallang pudding road 01 05 ama building s 349326 tel 6293 7055 fax 6296 7696

1112722 part distributor product details delco remy - Mar 04 2022

web distributor type part any third part original manufacturer brands are for cross reference purposes only and do not constitute the source of goods borgwarner 13975 borgwarner drive noblesville in 46060 1 800 372 0222 download our delco remy resource library from the app store for easy access to our resources careers

remanufactured distributor fits massey ferguson 35 te20 f40 - Sep 22 2023

web replaces delco remy mfg nos 1111722 1111740 1112557 1112570 includes new distributor cap points condenser and all other parts needed for a thorough rebuilt unit for a new version of this sku use 152856 for a used version of this sku use 403578 for dust cover use 103153 for tune up kit use 103151 for distributor cap use 104554

delco remy division history home page - Apr 05 2022

web the history of the delco remy division dr keeping the memory alive start it light it ignite it sli this page updated 9 15 2020 updates sutong tire resources is a chinese tire importer and plant 20 is a distribution center for the company author s photo added 2

delco remy distributor for massey ferguson the brillman - Jun 19 2023

web mar 3 2023 description 181685m91 new replacement delco distributor for massey ferguson tractors replaces the following parts massey ferguson 181685m91 182852m91 181544m91 181686m91 delco 1111722 1111740 1112557 1112570 fits the following applications massey ferguson 35 50 f40 to20 to30 to35

delcoremy distributor steiner tractor parts - Jul 20 2023

web quickview in stock distributor cap distributor and clip held cap ferguson tractor f40 to35 with delco 1112557 1112570 or 1112585 distributor and clip held cap to20 with delco 1111722 or 1111737 distributor and clip held cap to30 with delco 1111740 or 1111737 distributor and clip held cap swather 34 with delco remy

massey ferguson tractor distributor yesterday s tractors - Apr 17 2023

web massey ferguson distributor cap distributor cap for 4 cylinder models using a delco distributor with a clip held cap for models to20 to30 to35 35 202 204 302 304 50 65 85 88 super 90 replaces 811735 delco and 1750411m1 item 104554 ref 1750411m91 9 00

antique vintage equip parts delco remy distributor trout - Jul 08 2022

web research indicates that this distributor cap was used on the following delco remy distributors 1111420 1111421 1111422 1111423 1111424 1111433 1111434 1111767 1111776 1111838 1111883 1112264 it also appears that this

distributor cap was used on the buda lo 525 engine as well as the continental s 6749 s 6820 engines

used distributor fits massey ferguson to30 f40 35 te20 to20 - May 18 2023

web compatible with massey ferguson tractor s f40 te20 to20 to30 to35 35 50 replaces massey ferguson oem nos 181685m91 182852m91 181544m91 181686m91 replaces delco remy mfg nos 1111722 1111740 1112557 1112570 due to the nature of used parts this part may not be in stock at all times

pertronix electronic ignition kit 12 volt negative ground fits - Dec 13 2022

web delco remy distributor numbers 1111722 1111740 1112557 1112570 1112583 voltage 12 volt negative ground test results show that the ignitor delivers twice the voltage to the spark plugs increasing horsepower fuel economy and spark life no points to burn pit and corrode no moving or rubbing parts to wear out

delco distributor steiner tractor parts - Aug 09 2022

web delco replaces 1111722 1111740 1112557 1112570 1112586 mf industrial fits can replace the screw held distributors used on early serial numbers 2135 early w 1112643 distributor z134 engine can replace the screw held distributors used on later serial numbers 202 204 2200 early product number mfs3307

amazon com all states ag parts parts a s a p pertronix - Jun 07 2022

web delco remy distributor numbers 1111722 1111740 1112557 1112570 1112583 voltage 12 volt negative ground test results show that the ignitor delivers twice the voltage to the spark plugs increasing horsepower fuel economy and spark life *ferguson to20 distributor rebuilt 1111722 yesterday s tractors* - Mar 16 2023

web complete remanufactured distributor for to20 tractors with delco distributor 1111722 oem number 181685m91 this is an original distributor a refundable 75 00 core charge will be added to your order reference id 1111722 condition remanufactured core charge 75 00 all new used and rebuilt parts have a 1 year warranty item 203578

find a part delco remy - Feb 15 2023

web service parts search this search has the ability to cross delco remy remy and competitor part numbers the part number entered will be stripped of spaces dashes and special characters this is a wildcard search that requires at least four characters to be entered products click on the part number link to view details

amazon com customer reviews distributor new delco remy 1111722 - Oct 11 2022

web find helpful customer reviews and review ratings for distributor new delco remy 1111722 massey ferguson 181685m91 at amazon com read honest and unbiased product reviews from our users

distributor new delco remy 1111722 181685m91 amazon com - Jan 14 2023

web apr 13 2023 buy distributor new delco remy 1111722 181685m91 distributors amazon com free delivery possible on eligible purchases

distributor fits massey ferguson to20 to30 to35 35 50 - Aug 21 2023

web distributor for massey ferguson tractor s to20 to30 to35 35 50 gehl harvester s 860 1065 replaces delco remy mfg nos 1111722 1111740 1112557 1112570 replaces massey ferguson oem nos 181685m91 182852m91 181544m91 181686m91

1111722 part distributor product details delco remy - Oct 23 2023

web superseded by 1112570 obsolete model distributor type part any third part original manufacturer brands are for cross reference purposes only and do not constitute the source of goods