

# VSA System Components

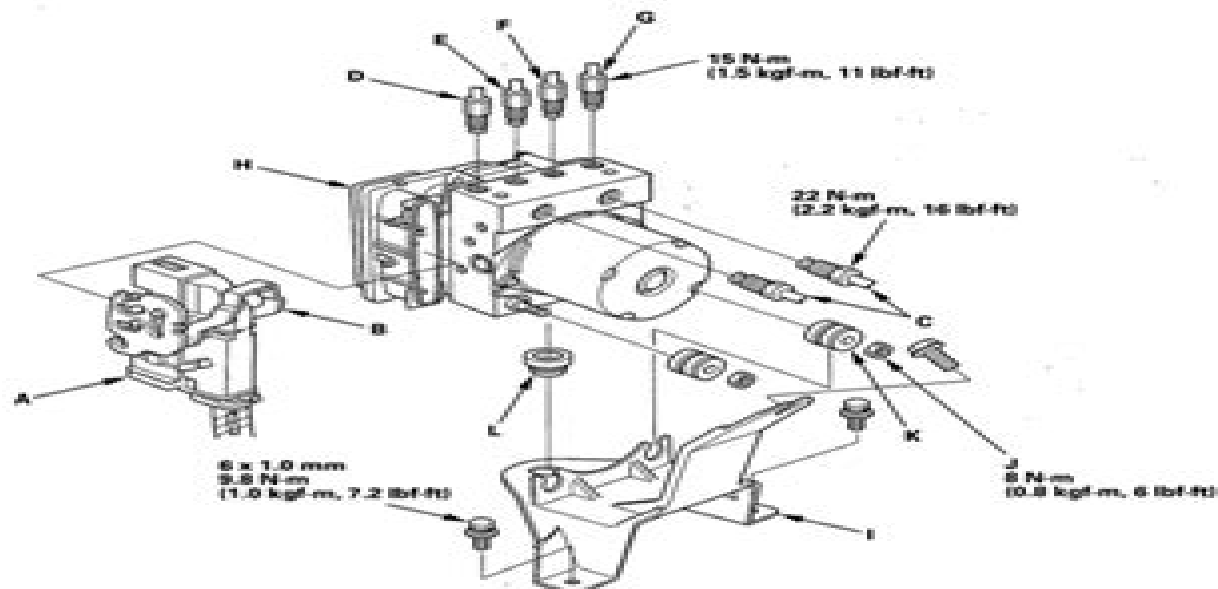
## VSA Modulator-Control Unit Removal and Installation

### NOTE:

- Do not spill brake fluid on the vehicle; it may damage the paint; if brake fluid gets on the paint, wash it off immediately with water.
- Be careful not to damage or deform the brake lines during removal and installation.
- To prevent the brake fluid from flowing, plug and cover the hose ends and joints with a shop towel or equivalent material.

### Removal

1. Turn the ignition switch OFF.
2. Remove the air cleaner box (see page 11-363).
3. Disconnect the VSA modulator-control unit 46P connector (A) by pulling up the lock (B); the connector disconnects itself.



4. Disconnect the six brake lines from the VSA modulator-control unit.

NOTE: Brake lines are connected to the master cylinder (C) and to the right-front (D), the left-rear (E), the right-rear (F), and the left-front (G) brake systems.

5. Remove the VSA modulator-control unit (H) with the bracket (I) from the body.
6. Remove the locknuts (J), then remove the VSA modulator-control unit from the bracket.

NOTE: During installation, install a new bushing (K) and new grommets (L). Otherwise, unwanted noise and vibration may be transmitted to the vehicle.

# Wiring Diagrams Of Vsa Module

**L Darling-Hammond**



**Wiring Diagrams Of Vsa Module:**

Automation ,1990      **Two-way Radio Communication Mass Transportation Demonstration Project** New York City  
Transit Authority,1967      **Control Engineering** ,1970      **Design News** ,1988      **CEP Software Directory** ,1994  
*Government Reports Announcements & Index* ,1994      *Study of Spaceborne Multiprocessing* Louis J. Koczela,1970

When somebody should go to the book stores, search introduction by shop, shelf by shelf, it is in fact problematic. This is why we allow the books compilations in this website. It will definitely ease you to see guide **Wiring Diagrams Of Vsa Module** as you such as.

By searching the title, publisher, or authors of guide you essentially want, you can discover them rapidly. In the house, workplace, or perhaps in your method can be all best place within net connections. If you aspiration to download and install the Wiring Diagrams Of Vsa Module, it is utterly easy then, previously currently we extend the link to purchase and create bargains to download and install Wiring Diagrams Of Vsa Module consequently simple!

[https://hersolutiongelbuy.com/files/publication/Documents/Sale\\_Putela\\_Pute\\_De\\_La\\_Rue\\_Du\\_Temple.pdf](https://hersolutiongelbuy.com/files/publication/Documents/Sale_Putela_Pute_De_La_Rue_Du_Temple.pdf)

## **Table of Contents Wiring Diagrams Of Vsa Module**

1. Understanding the eBook Wiring Diagrams Of Vsa Module
  - The Rise of Digital Reading Wiring Diagrams Of Vsa Module
  - Advantages of eBooks Over Traditional Books
2. Identifying Wiring Diagrams Of Vsa Module
  - Exploring Different Genres
  - Considering Fiction vs. Non-Fiction
  - Determining Your Reading Goals
3. Choosing the Right eBook Platform
  - Popular eBook Platforms
  - Features to Look for in an Wiring Diagrams Of Vsa Module
  - User-Friendly Interface
4. Exploring eBook Recommendations from Wiring Diagrams Of Vsa Module
  - Personalized Recommendations
  - Wiring Diagrams Of Vsa Module User Reviews and Ratings
  - Wiring Diagrams Of Vsa Module and Bestseller Lists

5. Accessing Wiring Diagrams Of Vsa Module Free and Paid eBooks
  - Wiring Diagrams Of Vsa Module Public Domain eBooks
  - Wiring Diagrams Of Vsa Module eBook Subscription Services
  - Wiring Diagrams Of Vsa Module Budget-Friendly Options
6. Navigating Wiring Diagrams Of Vsa Module eBook Formats
  - ePub, PDF, MOBI, and More
  - Wiring Diagrams Of Vsa Module Compatibility with Devices
  - Wiring Diagrams Of Vsa Module Enhanced eBook Features
7. Enhancing Your Reading Experience
  - Adjustable Fonts and Text Sizes of Wiring Diagrams Of Vsa Module
  - Highlighting and Note-Taking Wiring Diagrams Of Vsa Module
  - Interactive Elements Wiring Diagrams Of Vsa Module
8. Staying Engaged with Wiring Diagrams Of Vsa Module
  - Joining Online Reading Communities
  - Participating in Virtual Book Clubs
  - Following Authors and Publishers Wiring Diagrams Of Vsa Module
9. Balancing eBooks and Physical Books Wiring Diagrams Of Vsa Module
  - Benefits of a Digital Library
  - Creating a Diverse Reading Collection Wiring Diagrams Of Vsa Module
10. Overcoming Reading Challenges
  - Dealing with Digital Eye Strain
  - Minimizing Distractions
  - Managing Screen Time
11. Cultivating a Reading Routine Wiring Diagrams Of Vsa Module
  - Setting Reading Goals Wiring Diagrams Of Vsa Module
  - Carving Out Dedicated Reading Time
12. Sourcing Reliable Information of Wiring Diagrams Of Vsa Module
  - Fact-Checking eBook Content of Wiring Diagrams Of Vsa Module
  - Distinguishing Credible Sources
13. Promoting Lifelong Learning

- Utilizing eBooks for Skill Development
  - Exploring Educational eBooks
14. Embracing eBook Trends
- Integration of Multimedia Elements
  - Interactive and Gamified eBooks

### **Wiring Diagrams Of Vsa Module Introduction**

Free PDF Books and Manuals for Download: Unlocking Knowledge at Your Fingertips In today's fast-paced digital age, obtaining valuable knowledge has become easier than ever. Thanks to the internet, a vast array of books and manuals are now available for free download in PDF format. Whether you are a student, professional, or simply an avid reader, this treasure trove of downloadable resources offers a wealth of information, conveniently accessible anytime, anywhere. The advent of online libraries and platforms dedicated to sharing knowledge has revolutionized the way we consume information. No longer confined to physical libraries or bookstores, readers can now access an extensive collection of digital books and manuals with just a few clicks. These resources, available in PDF, Microsoft Word, and PowerPoint formats, cater to a wide range of interests, including literature, technology, science, history, and much more. One notable platform where you can explore and download free Wiring Diagrams Of Vsa Module PDF books and manuals is the internet's largest free library. Hosted online, this catalog compiles a vast assortment of documents, making it a veritable goldmine of knowledge. With its easy-to-use website interface and customizable PDF generator, this platform offers a user-friendly experience, allowing individuals to effortlessly navigate and access the information they seek. The availability of free PDF books and manuals on this platform demonstrates its commitment to democratizing education and empowering individuals with the tools needed to succeed in their chosen fields. It allows anyone, regardless of their background or financial limitations, to expand their horizons and gain insights from experts in various disciplines. One of the most significant advantages of downloading PDF books and manuals lies in their portability. Unlike physical copies, digital books can be stored and carried on a single device, such as a tablet or smartphone, saving valuable space and weight. This convenience makes it possible for readers to have their entire library at their fingertips, whether they are commuting, traveling, or simply enjoying a lazy afternoon at home. Additionally, digital files are easily searchable, enabling readers to locate specific information within seconds. With a few keystrokes, users can search for keywords, topics, or phrases, making research and finding relevant information a breeze. This efficiency saves time and effort, streamlining the learning process and allowing individuals to focus on extracting the information they need. Furthermore, the availability of free PDF books and manuals fosters a culture of continuous learning. By removing financial barriers, more people can access educational resources and pursue lifelong learning, contributing to

personal growth and professional development. This democratization of knowledge promotes intellectual curiosity and empowers individuals to become lifelong learners, promoting progress and innovation in various fields. It is worth noting that while accessing free Wiring Diagrams Of Vsa Module PDF books and manuals is convenient and cost-effective, it is vital to respect copyright laws and intellectual property rights. Platforms offering free downloads often operate within legal boundaries, ensuring that the materials they provide are either in the public domain or authorized for distribution. By adhering to copyright laws, users can enjoy the benefits of free access to knowledge while supporting the authors and publishers who make these resources available. In conclusion, the availability of Wiring Diagrams Of Vsa Module free PDF books and manuals for download has revolutionized the way we access and consume knowledge. With just a few clicks, individuals can explore a vast collection of resources across different disciplines, all free of charge. This accessibility empowers individuals to become lifelong learners, contributing to personal growth, professional development, and the advancement of society as a whole. So why not unlock a world of knowledge today? Start exploring the vast sea of free PDF books and manuals waiting to be discovered right at your fingertips.

### **FAQs About Wiring Diagrams Of Vsa Module Books**

How do I know which eBook platform is the best for me? Finding the best eBook platform depends on your reading preferences and device compatibility. Research different platforms, read user reviews, and explore their features before making a choice. Are free eBooks of good quality? Yes, many reputable platforms offer high-quality free eBooks, including classics and public domain works. However, make sure to verify the source to ensure the eBook credibility. Can I read eBooks without an eReader? Absolutely! Most eBook platforms offer web-based readers or mobile apps that allow you to read eBooks on your computer, tablet, or smartphone. How do I avoid digital eye strain while reading eBooks? To prevent digital eye strain, take regular breaks, adjust the font size and background color, and ensure proper lighting while reading eBooks. What the advantage of interactive eBooks? Interactive eBooks incorporate multimedia elements, quizzes, and activities, enhancing the reader engagement and providing a more immersive learning experience. Wiring Diagrams Of Vsa Module is one of the best book in our library for free trial. We provide copy of Wiring Diagrams Of Vsa Module in digital format, so the resources that you find are reliable. There are also many Ebooks of related with Wiring Diagrams Of Vsa Module. Where to download Wiring Diagrams Of Vsa Module online for free? Are you looking for Wiring Diagrams Of Vsa Module PDF? This is definitely going to save you time and cash in something you should think about.

**Find Wiring Diagrams Of Vsa Module :**

[sale putela pute de la rue du temple](#)

[sample essay for college application](#)

[same manual tractor buffalo 130](#)

[sample critical analysis essay](#)

**salas etgen calculus solution manual**

[sample essay with citations](#)

**sample apa research paper psychology**

**sample appraisee comments for appraisal**

**salvo auto parts reisterstown**

[sample 6th edition apa paper](#)

[sambal belacan recipe](#)

[saints row strategy guide](#)

**salary guide brunei**

[sample exam ap calc ab ninth edition ansewers](#)

[saintsimon meacutemoires tome i 0editions jm](#)

**Wiring Diagrams Of Vsa Module :**

[market leader 3rd edition intermediate test file 3rd edition - Jun 19 2023](#)

web mar 18 2010 market leader 3rd edition intermediate test file lansford lewis on amazon com free shipping on qualifying offers market leader 3rd edition intermediate test file

[market leader intermediate practice file academia edu - Apr 17 2023](#)

web market leader intermediate practice file by nguyễn huỳnh lân see full pdf download pdf see full pdf

**market leader pre intermediate tests sciarium - Apr 05 2022**

web nov 9 2023 tests exams quizzes market leader pre intermediate tests rar file size 6 28 mb contains doc document s added by spanita 11 09 2023 21 22 pearson longman uk 2011 in the archive there are additional files for

**market leader 3rd edition pearsonelt - Feb 15 2023**

web market leader extra is course for students who want to learn english and learn about business and for business people who want to advance their careers it has been developed in association with the financial times one of the leading sources of



business information in the world business skills lessons offer the learner a task based

*market leader intermediate 3rd edition practice file* - Nov 12 2022

web jun 29 2021 save offline preview pdf view download market leader intermediate 3rd edition practice file as pdf for free  
download market leader intermediate 3rd edition practice file pdf

**market leader 3rd ed intermediate practice file pdf slideshare** - Oct 23 2023

web apr 26 2017 market leader 3rd ed intermediate practice file download as a pdf or view online for free

**market leader intermediate test 1 3 worksheet live worksheets** - Jul 20 2023

web jun 24 2020 country code ar country argentina school subject english for specific purposes esp 1061798 main content  
present simple present perfect business terms 1124157 solve the test other contents present continuous present simple  
business grammar present perfect future

*market leader 3rd edition pre intermediate test file goodreads* - Jun 07 2022

web mar 1 2012 market leader uses authoritative authentic content from the financial times to build the professional  
language and skills needed to communicate in the modern world of business the third edition has been completely updated to  
reflect this fast changing world

**market leader intermediate 3rd edition practice file 2023** - Jan 14 2023

web market leader 3rd edition pre intermediate test file jan 28 2020 market leader 3rd edition has been completely updated  
to reflect the fast changing world of business using authoritative and authentic business sources such as financial times

**market leader 3 intermediate progress test 03 epdfx com** - Sep 22 2023

web description download market leader 3 intermediate progress test 03 free in pdf format download market leader 3  
intermediate progress test 03

**download market leader intermediate tests doc sciarium** - Dec 13 2022

web nov 9 2023 tests exams quizzes market leader intermediate tests rar file size 1 36 mb contains doc document s added  
by spanita 11 09 2023 21 23 pearson longman uk 2011 the archive contains additional files for the textbook market leader  
3rd edition

**market leader intermediate business english test file volume 3** - May 18 2023

web market leader intermediate business english test file volume 3 david cotton christine johnson longman 2000 commercial  
correspondence 44 pages five photocopiable tests to

[market leader test file vdocuments mx](#) - May 06 2022

web sep 15 2014 pearson tertiary isbn's 2017 market leader 3rd edition pre intermediate test file market leader 3rd edition  
intermediate coursebook dvd rom pack market leader 3rd edition intermediate

**market leader 3rd edition pre intermediate test file** - Oct 11 2022

web mar 29 2012 market leader uses authoritative authentic content from the financial times to build the professional language and skills needed to communicate in the modern world of business the third edition has been completely updated to reflect this fast changing world

**market leader 3rd ed pre intermediate practice file pdf** - Sep 10 2022

web apr 26 2017 market leader 3rd ed pre intermediate practice file download as a pdf or view online for free

**market leader 3rd edition pre intermediate test file** - Mar 16 2023

web market leader 3rd edition pre intermediate test file lewis lansford pearson education

*market leader pre intermediate practice file audio sciarium* - Mar 04 2022

web feb 8 2013 3rd edition pearson longman limited england 2012 the 3rd edition business english practice file audio cd mdx format market leader pre intermediate practice file cd business english with the financial times contains the listening activities from the practice file book market leader

**intermediate market leader pearson** - Jul 08 2022

web market leader 3rd edition extra is a comprehensive communicative english course that is aligned to the global scale of english and prepares adults and young adults to interact confidently with both native and non native speakers of english in a business context

market leader 3rd edition intermediate test file goodreads - Aug 21 2023

web mar 25 2010 the 3rd edition course book all new reading texts from the financial times all new case studies with opinions from successful consultants who work in the real world of business all new listening texts reflecting the global nature of business new business across cultures spreads new vocabulary trainer marketleader vocabtrainer net

**new market leader pre intermediate test file sciarium** - Aug 09 2022

web apr 17 2010 market leader is a pre intermediate level business english course for businesspeople and students of business english it consists of 12 units based on topics of great interest to everyone involved in international business it has 12 unit tests entry test 2 placement tests progress tests end

**aramco announces record full year 2022 results aramco** - Feb 19 2022

web mar 12 2023 free cash flow reached a record 148 5 billion in 2022 compared to 107 5 billion in 2021 aramco continues to emphasize a strong balance sheet and its gearing ratio at the end of 2022 was 7 9 compared to 12 0 at the end of 2021 aramco declared a dividend of 19 5 billion for the fourth quarter to be paid in q1 2023

**where energy is opportunity aramco singapore** - Oct 18 2021

web oct 26 2023 the yanbu aramco sinopec refining company yasref ltd a joint venture between saudi aramco and china

petrochemical corporation sinopec is a world class full conversion refinery that covers about 5.2 million square meters in the yanbu industrial city and is the key anchor project in yanbu

**saudi aramco air products and acwa to form usd8bn jv** - Sep 28 2022

web moscow saudi aramco air products and acwa power are set to form an usd8bn gasification power joint venture jv in jazan economic city jec in saudi arabia as per hydrocarbons technology the companies have signed a term sheet to form the jv which will buy the gasification assets power block and the associated utilities from saudi

saudi arabia air quality index aqi and air pollution information - Jul 07 2023

web in accordance with the world health organisation s guidelines the quality of air in saudi arabia is considered to be unsafe latest data indicates that the country s annual average concentration of pm<sub>2.5</sub> is 88 µg m<sup>-3</sup> which considerably exceeds the recommended maximum of 10 µg m<sup>-3</sup>

saudi aramco air products and acwa power to form over 8 - Mar 03 2023

web saudi aramco air products nyse apd and acwa power today announced the signing of a term sheet to form an over 8billion gasification power joint venture jv located at jazan economic city jec in saudi arabia

aramco air condition mail thekingiscoming com - Mar 23 2022

web 2 aramco air condition 2023 09 18 was launched in 1956 for all those men and women who are interested in scientific discovery and in its industrial commercial and social consequences the brand s mission is no different today for its consumers new scientist reports explores and interprets the results of human endeavour set in

**aramco air condition store spiralny com** - Nov 18 2021

web 2 aramco air condition 2022 03 13 consolidation of america s kingdom under the house of fahd the royal faction that still rules today this is a meticulously researched account of aramco as a microcosm of the colonial order business week cambridge university press

delhi air pollution spikes to 100 times who health limit - Jun 25 2022

web nov 3 2023 schools were shut and non essential construction was banned around delhi as the air quality index in the city hit 500 the highest the measurement will go and 100 times the limit deemed to be

*saudi aramco s ambient air quality and source emission* - Aug 08 2023

web apr 2 2012 many advanced technologies are used to measure or control the level of air pollutants emitted to the atmosphere from saudi aramco s industrial facilities this paper explains the efforts towards eliminating any footprint on air quality by achieving zero hydrocarbon discharge during necessary flow back operations

*air conditioning company qatar amco* - Aug 28 2022

web arabian air conditioning manufacturing company amco is one of almalki group holding company in qatar amco is

partnering with acs klima as joint venture under the brand of climacs amco is established to supply the needs of qatar bahrain kuwait uae jordan egypt and other middle east countries in air conditioning sector

[carbon capture utilization storage aramco](#) - Sep 09 2023

web in 2020 aramco confirmed that it would proceed with the divestment of the jazan integrated gasification and combined cycle plant into a joint venture jv between aramco air products acwa power and air products qudra integrating the air separation unit into the jv

[aviation introduces new fleet for enhanced safety aramco](#) - Jan 21 2022

web dhahran january 23 2019 as part of its effort to maintain and enhance the safety of the company s fleet the aviation department has introduced a number of airbus h145 pictured and augustawestland aw 139 aircraft to its fleet

[mena climate week emission projects aramco life](#) - Jun 06 2023

web oct 9 2023 mena climate week 2023 aramco advances development of emissions reduction solutions lower carbon hydrogen demonstration plant direct air capture test unit novel co2 sequestration and geothermal energy projects among mitigation projects

**aramco air condition stage gapinc com** - Oct 30 2022

web aramco air condition new scientist a pocket guide to the middle east wells of ibn saud scammed da pam final environmental impact statement critical infrastructure protection xii kingdom and how oil and aramco quickly became america s largest single overseas private enterprise from the establishment in the 1930s of a jim crow system in

[where energy is opportunity aramco](#) - May 25 2022

web in 2020 aramco confirmed that it would proceed with the divestment of the jazan integrated gasification and combined cycle plant into a joint venture jv between aramco air products acwa power and air products qudra integrating the air separation unit into the jv

[air condition saad al mulhim saudi arabia](#) - Feb 02 2023

web by the year 1994 al mulhim air conditioning was fully qualified to register as one of the main contractors for heating ventilation air condition system hvac s work in saudi aramco and saudi consolidated eclectic company secoco

[saudi aramco total refining petrochemical](#) - Oct 10 2023

web air saturated moist air in which the partial pressure of water vapor equals the vapor pressure of water at the existing temperature air standard dry air at a pressure of 101 35 kpa 29 92 in hg at 20 c 68 f temperature

**aramco air condition** - Jul 27 2022

web aramco air condition 2023 usa tgifridays com subject aramco air condition 2023 created date 20210223124647pm

**saudi aramco hvac qc interview questions englogs** - Jan 01 2023

web qa qc guidance handbooks oil gas all things are based on aramco standard saudi aramco hvac qc interview questions practice is updated with most recent oil gas international saudi aramco standards

**operating on the cutting edge of technology aramco** - Dec 20 2021

web mar 30 2023 in 2020 aramco confirmed that it would proceed with the divestment of the jazan integrated gasification and combined cycle plant into a joint venture jv between aramco air products acwa power and air products qudra integrating the air separation unit into the jv

*saudi aramco exclusive offer* ██████████ - Nov 30 2022

web saudi aramco exclusive offer the joy of travel just got even better with saudia enjoy saudia s exclusive deal for saudi aramco staff on international flights save up to 22 and travel with your family to your favorite destinations and enjoy the highest quality of service we get to offer on our new fleet

*careers aramco* - Apr 23 2022

web we are aramco our high performing employees are drawn by the challenging and rewarding professional opportunities we offer and by the opportunity to make a positive difference through their work helping to protect air quality and reducing so2 emissions by more than 18 000 metric tons per year as compared to the conventional claus process

**saudi aramco wikipedia** - May 05 2023

web saudi aramco arabic ██████████ ██████████ 'arāmkū as su'ūdiyyah officially the saudi arabian oil group or simply aramco is the mostly state owned petroleum and natural gas company of saudi arabia 6 7 as of 2022 it is the second largest company in the world by revenue 8 and is headquartered in dhahran

annual report 2022 aramco - Apr 04 2023

web capturing growth opportunities and generating long term value aramco s unprecedented financial results for 2022 reinforce our ability to generate consistent value for our shareholders across price cycles while also providing energy

*iveco daily euro 4 repair manual pdf download manualslib* - Oct 06 2022

web view and download iveco daily euro 4 repair manual online mechanical electric electronic daily euro 4 engine pdf manual download

iveco daily service manual 2006 2014 en tecnicman com - Apr 12 2023

web 9 90 euro suzuki gsx r 1000 service manual 2005 2006 en 7 90 euro service manual for iveco daily fourth generation more than 1100 pages of technical data descriptions diagnoses for a simplified and quick fix allows a clear understanding of the vehicle thanks to pictures and diagrams easy to use thanks to clickable index

**iveco daily handbuch seite 147 von 280 manualslib** - May 01 2022

web ansicht und herunterladen iveco daily handbuch online daily autos pdf anleitung herunterladen daily mca 2014

richtlinien für fahrzeugausstatter pin beschreibung kabel signal code ausgang 9 betätigung der kupplung 9273 max 500 ma mit entkopplungsdiode einlegen des ausgang 10

[iveco daily i ii und iii 1978 2006 reparaturanleitungen und](#) - Jan 09 2023

web sep 12 2023 iveco daily i ii und iii 1978 2006 reparaturanleitungen und werkstatthandbücher eine reparaturanleitung für ihr iveco daily i 1978 1990 daily ii 1989 2000 oder daily iii 1999 2006 finden sie hier rta werkstatthandbücher und andere anleitungen zur wartung und reparatur von iveco lieferwagen

**handbuch iveco daily als pdf basisfahrzeug und linertreff** - Sep 05 2022

web aug 12 2021 handbuch iveco daily als pdf basisfahrzeug und fahrzeugtechnik linertreff com die markenunabhängige plattform für freunde großer reisemobile handbuch iveco daily als pdf cik 12 august 2021 cik expert 371 beiträge 464 dateien 3 12 august 2021 1 hallo daily fahrer gibt es für den daily irgendwo das handbuch

[bedienungsanleitung iveco daily laden sie ihre iveco daily](#) - Mar 11 2023

web handbuch zusammenfassung gebrauchsanweisung iveco daily detaillierte anleitungen zur benutzung finden sie in der bedienungsanleitung geben sie mit den zifferntasten ihrer fernbedienung den ersten 3 stelligen code von der liste z die led wird zweimal blinken um anzuzeigen dass der code angenommen wurde

[sicherungen und relais am scm steuergerät im motorraum iveco daily](#) - Feb 27 2022

web sicherungen und relais am scm steuergerät im motorraum iveco daily handbuch seite 181 manualslib anleitungen

[werkstatthandbuch service reparatur handbuch für iveco daily](#) - Dec 08 2022

web entdecken sie werkstatthandbuch service reparaturanleitung für iveco daily euro 2006 2011 verkabelung in der großen auswahl bei ebay kostenlose lieferung für viele artikel

**iveco lkw service handbücher pdf ersatzteilkatalog** - Jun 02 2022

web iveco daily 2000my service reparaturhandbuch pdf pdf 158 1mb herunterladen iveco daily engine service reparatur manuelle pdf pdf 14 1mb herunterladen iveco daily euro 4 2006 2009 manual en instrukcja napraw pdf 87mb herunterladen iveco daily euro 4 service reparaturhandbuch rar 74 9mb herunterladen iveco daily javitasi

**reparatur handbücher iveco** - Dec 28 2021

web reparatur handbücher kontakt besitzen sie bereits ein iveco fahrzeug btnindietro reparatur handbücher bitte wählen sie die sprache in der sie kontaktiert werden möchten persönliche daten mandatoryfields fahrzeug

[iveco daily owner s service and repair manuals pdf](#) - May 13 2023

web oct 5 2018 iveco daily manualsin pdfare intended for owners ready to work with the machine on their own so the manual pages are illustrated with descriptions of the exact actions in case of various types of breakdowns explain how to fix the van adjust change parts and so on iveco related posts

*iveco daily handbuch 2006 opensource net* - Jan 29 2022

web iveco daily handbuch 2006trust iveco daily 4 2006 2010 service repair manual will give you everything you need to do the job save time and money by doing it yourself with the confidence only a iveco daily 4 2006 2010 service repair manual can provide iveco daily 4 2006 2010 service repair workshop manual instant download

*iveco daily i ii and iii 1978 2006 workshop manuals service* - Jul 03 2022

web a service manual for your iveco daily i 1978 1990 daily ii 1989 2000 or daily iii 1999 2006 discover here rta and other workshop manuals for maintenance and repair of iveco vans

*betriebsanleitung als pdf iveco daily forum autoplenum de* - Mar 31 2022

web iveco daily forum hier findest du relevante antworten zum thema betriebsanleitung als pdf hallo allerseits iveco behauptet auf deren website alle benutzerhandbücher wären sowohl in papier als auch in elektronischer form erhältlich

*technische dokumentation iveco* - Nov 07 2022

web technische dokumentation maximale informationsverbreitung ständige aktualisierung hohe service qualität dies sind die entscheidenden merkmale der technischen dokumentation von iveco es ist unverzichtbares instrument zur unterstützung des kunden und der kundendienstaktivitäten

iveco daily handbücher manualslib - Feb 10 2023

web anleitungen und benutzerhandbücher für iveco daily wir haben 2 iveco daily anleitungen zum kostenlosen pdf download zur verfügung handbuch iveco daily handbuch 280 seiten

**inhaltsverzeichnis iveco daily handbuch seite 5 manualslib** - Aug 04 2022

web ansicht und herunterladen iveco daily handbuch online daily autos pdf anleitung herunterladen inhaltsverzeichnis allgemeines seite 7 eingriffe am fahrgestell seite 25 adblue und scrt system seite 191 expansion modul seite 213 daily für den personentransport seite 243

iveco daily manuals iveco - Jun 14 2023

web daily iii 2000 2006 iveco daily cab 50c11 50c13 specification sheet pdf data sheets and catalogues 253 kb bulgarian 4 daily iii 2000 2006 iveco daily combi 35s12 specification sheet pdf data sheets and catalogues 248 kb bulgarian 4 daily iii

iveco daily handbuch pdf herunterladen manualslib - Jul 15 2023

web ansicht und herunterladen iveco daily handbuch online daily autos pdf anleitung herunterladen

iveco daily handbuch pdf herunterladen manualslib - Aug 16 2023

web ansicht und herunterladen iveco daily handbuch online daily autos pdf anleitung herunterladen