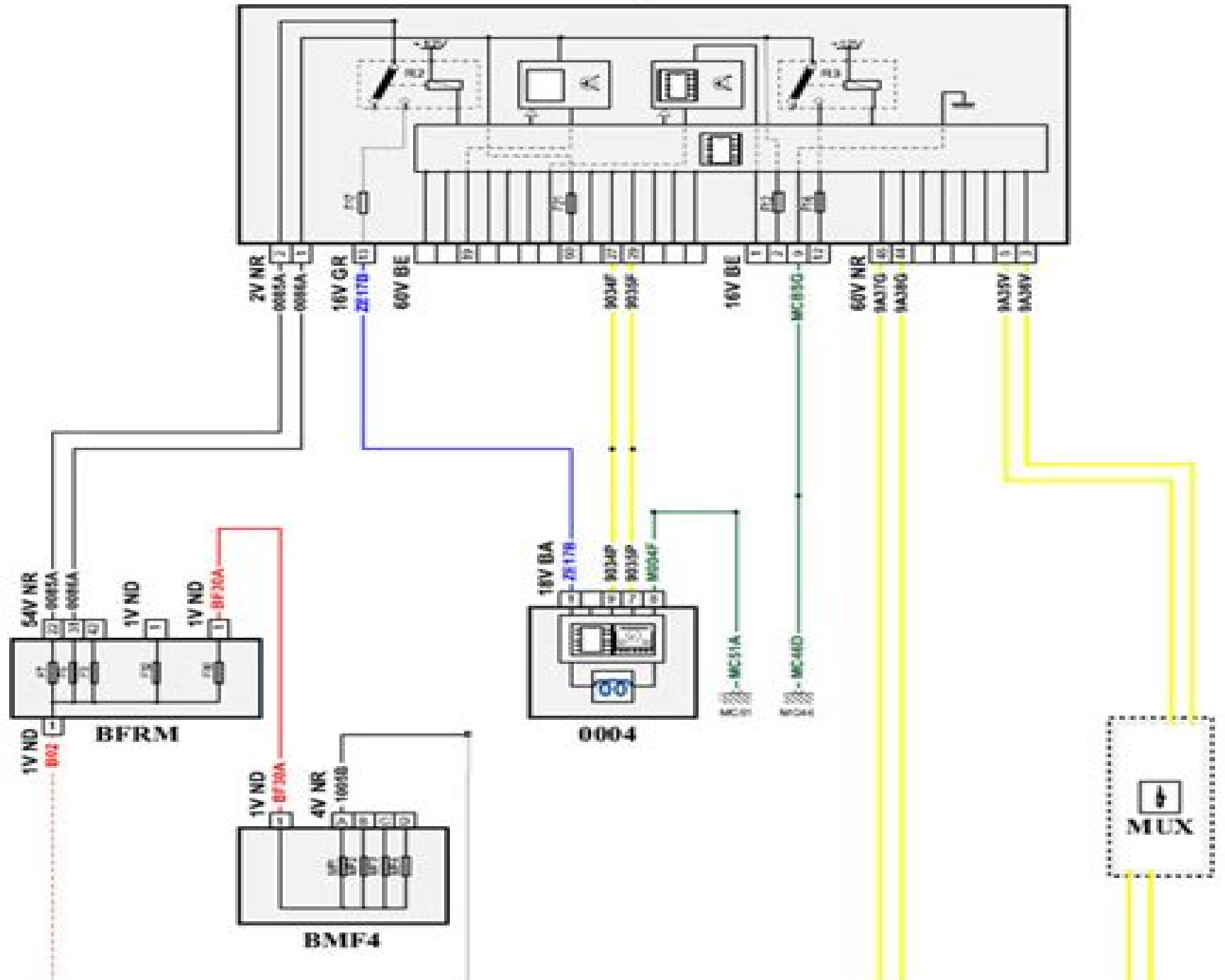


BS11



Wiring Diagram Trans Aw5040 Opel

Huangqi Zhang



Wiring Diagram Trans Aw5040 Opel:

This is likewise one of the factors by obtaining the soft documents of this **Wiring Diagram Trans Aw5040 Opel** by online. You might not require more epoch to spend to go to the ebook initiation as skillfully as search for them. In some cases, you likewise accomplish not discover the pronouncement Wiring Diagram Trans Aw5040 Opel that you are looking for. It will definitely squander the time.

However below, similar to you visit this web page, it will be hence no question simple to get as competently as download lead Wiring Diagram Trans Aw5040 Opel

It will not consent many era as we tell before. You can complete it even if produce a result something else at house and even in your workplace. in view of that easy! So, are you question? Just exercise just what we have the funds for under as with ease as evaluation **Wiring Diagram Trans Aw5040 Opel** what you in imitation of to read!

https://hersolutiongelbuy.com/About/virtual-library/fetch.php/triumph_daytona_955i_bike_repair_service_manual.pdf

Table of Contents Wiring Diagram Trans Aw5040 Opel

1. Understanding the eBook Wiring Diagram Trans Aw5040 Opel
 - The Rise of Digital Reading Wiring Diagram Trans Aw5040 Opel
 - Advantages of eBooks Over Traditional Books
2. Identifying Wiring Diagram Trans Aw5040 Opel
 - Exploring Different Genres
 - Considering Fiction vs. Non-Fiction
 - Determining Your Reading Goals
3. Choosing the Right eBook Platform
 - Popular eBook Platforms
 - Features to Look for in an Wiring Diagram Trans Aw5040 Opel
 - User-Friendly Interface
4. Exploring eBook Recommendations from Wiring Diagram Trans Aw5040 Opel

- Personalized Recommendations
 - Wiring Diagram Trans Aw5040 Opel User Reviews and Ratings
 - Wiring Diagram Trans Aw5040 Opel and Bestseller Lists
5. Accessing Wiring Diagram Trans Aw5040 Opel Free and Paid eBooks
 - Wiring Diagram Trans Aw5040 Opel Public Domain eBooks
 - Wiring Diagram Trans Aw5040 Opel eBook Subscription Services
 - Wiring Diagram Trans Aw5040 Opel Budget-Friendly Options
 6. Navigating Wiring Diagram Trans Aw5040 Opel eBook Formats
 - ePub, PDF, MOBI, and More
 - Wiring Diagram Trans Aw5040 Opel Compatibility with Devices
 - Wiring Diagram Trans Aw5040 Opel Enhanced eBook Features
 7. Enhancing Your Reading Experience
 - Adjustable Fonts and Text Sizes of Wiring Diagram Trans Aw5040 Opel
 - Highlighting and Note-Taking Wiring Diagram Trans Aw5040 Opel
 - Interactive Elements Wiring Diagram Trans Aw5040 Opel
 8. Staying Engaged with Wiring Diagram Trans Aw5040 Opel
 - Joining Online Reading Communities
 - Participating in Virtual Book Clubs
 - Following Authors and Publishers Wiring Diagram Trans Aw5040 Opel
 9. Balancing eBooks and Physical Books Wiring Diagram Trans Aw5040 Opel
 - Benefits of a Digital Library
 - Creating a Diverse Reading Collection Wiring Diagram Trans Aw5040 Opel
 10. Overcoming Reading Challenges
 - Dealing with Digital Eye Strain
 - Minimizing Distractions
 - Managing Screen Time
 11. Cultivating a Reading Routine Wiring Diagram Trans Aw5040 Opel
 - Setting Reading Goals Wiring Diagram Trans Aw5040 Opel
 - Carving Out Dedicated Reading Time
 12. Sourcing Reliable Information of Wiring Diagram Trans Aw5040 Opel

- Fact-Checking eBook Content of Wiring Diagram Trans Aw5040 Opel
 - Distinguishing Credible Sources
13. Promoting Lifelong Learning
- Utilizing eBooks for Skill Development
 - Exploring Educational eBooks
14. Embracing eBook Trends
- Integration of Multimedia Elements
 - Interactive and Gamified eBooks

Wiring Diagram Trans Aw5040 Opel Introduction

In the digital age, access to information has become easier than ever before. The ability to download Wiring Diagram Trans Aw5040 Opel has revolutionized the way we consume written content. Whether you are a student looking for course material, an avid reader searching for your next favorite book, or a professional seeking research papers, the option to download Wiring Diagram Trans Aw5040 Opel has opened up a world of possibilities. Downloading Wiring Diagram Trans Aw5040 Opel provides numerous advantages over physical copies of books and documents. Firstly, it is incredibly convenient. Gone are the days of carrying around heavy textbooks or bulky folders filled with papers. With the click of a button, you can gain immediate access to valuable resources on any device. This convenience allows for efficient studying, researching, and reading on the go. Moreover, the cost-effective nature of downloading Wiring Diagram Trans Aw5040 Opel has democratized knowledge. Traditional books and academic journals can be expensive, making it difficult for individuals with limited financial resources to access information. By offering free PDF downloads, publishers and authors are enabling a wider audience to benefit from their work. This inclusivity promotes equal opportunities for learning and personal growth. There are numerous websites and platforms where individuals can download Wiring Diagram Trans Aw5040 Opel. These websites range from academic databases offering research papers and journals to online libraries with an expansive collection of books from various genres. Many authors and publishers also upload their work to specific websites, granting readers access to their content without any charge. These platforms not only provide access to existing literature but also serve as an excellent platform for undiscovered authors to share their work with the world. However, it is essential to be cautious while downloading Wiring Diagram Trans Aw5040 Opel. Some websites may offer pirated or illegally obtained copies of copyrighted material. Engaging in such activities not only violates copyright laws but also undermines the efforts of authors, publishers, and researchers. To ensure ethical downloading, it is advisable to utilize reputable websites that prioritize the legal distribution of content. When downloading Wiring Diagram Trans Aw5040 Opel, users should also consider the

potential security risks associated with online platforms. Malicious actors may exploit vulnerabilities in unprotected websites to distribute malware or steal personal information. To protect themselves, individuals should ensure their devices have reliable antivirus software installed and validate the legitimacy of the websites they are downloading from. In conclusion, the ability to download Wiring Diagram Trans Aw5040 Opel has transformed the way we access information. With the convenience, cost-effectiveness, and accessibility it offers, free PDF downloads have become a popular choice for students, researchers, and book lovers worldwide. However, it is crucial to engage in ethical downloading practices and prioritize personal security when utilizing online platforms. By doing so, individuals can make the most of the vast array of free PDF resources available and embark on a journey of continuous learning and intellectual growth.

FAQs About Wiring Diagram Trans Aw5040 Opel Books

How do I know which eBook platform is the best for me? Finding the best eBook platform depends on your reading preferences and device compatibility. Research different platforms, read user reviews, and explore their features before making a choice. Are free eBooks of good quality? Yes, many reputable platforms offer high-quality free eBooks, including classics and public domain works. However, make sure to verify the source to ensure the eBook credibility. Can I read eBooks without an eReader? Absolutely! Most eBook platforms offer webbased readers or mobile apps that allow you to read eBooks on your computer, tablet, or smartphone. How do I avoid digital eye strain while reading eBooks? To prevent digital eye strain, take regular breaks, adjust the font size and background color, and ensure proper lighting while reading eBooks. What the advantage of interactive eBooks? Interactive eBooks incorporate multimedia elements, quizzes, and activities, enhancing the reader engagement and providing a more immersive learning experience. Wiring Diagram Trans Aw5040 Opel is one of the best book in our library for free trial. We provide copy of Wiring Diagram Trans Aw5040 Opel in digital format, so the resources that you find are reliable. There are also many Ebooks of related with Wiring Diagram Trans Aw5040 Opel. Where to download Wiring Diagram Trans Aw5040 Opel online for free? Are you looking for Wiring Diagram Trans Aw5040 Opel PDF? This is definitely going to save you time and cash in something you should think about. If you trying to find then search around for online. Without a doubt there are numerous these available and many of them have the freedom. However without doubt you receive whatever you purchase. An alternate way to get ideas is always to check another Wiring Diagram Trans Aw5040 Opel. This method for see exactly what may be included and adopt these ideas to your book. This site will almost certainly help you save time and effort, money and stress. If you are looking for free books then you really should consider finding to assist you try this. Several of Wiring Diagram Trans Aw5040 Opel are for sale to free while some are payable. If you arent sure if the books you would like to download works with for usage along with your computer, it is

possible to download free trials. The free guides make it easy for someone to free access online library for download books to your device. You can get free download on free trial for lots of books categories. Our library is the biggest of these that have literally hundreds of thousands of different products categories represented. You will also see that there are specific sites catered to different product types or categories, brands or niches related with Wiring Diagram Trans Aw5040 Opel. So depending on what exactly you are searching, you will be able to choose e books to suit your own need. Need to access completely for Campbell Biology Seventh Edition book? Access Ebook without any digging. And by having access to our ebook online or by storing it on your computer, you have convenient answers with Wiring Diagram Trans Aw5040 Opel To get started finding Wiring Diagram Trans Aw5040 Opel, you are right to find our website which has a comprehensive collection of books online. Our library is the biggest of these that have literally hundreds of thousands of different products represented. You will also see that there are specific sites catered to different categories or niches related with Wiring Diagram Trans Aw5040 Opel So depending on what exactly you are searching, you will be able to choose ebook to suit your own need. Thank you for reading Wiring Diagram Trans Aw5040 Opel. Maybe you have knowledge that, people have search numerous times for their favorite readings like this Wiring Diagram Trans Aw5040 Opel, but end up in harmful downloads. Rather than reading a good book with a cup of coffee in the afternoon, instead they juggled with some harmful bugs inside their laptop. Wiring Diagram Trans Aw5040 Opel is available in our book collection an online access to it is set as public so you can download it instantly. Our digital library spans in multiple locations, allowing you to get the most less latency time to download any of our books like this one. Merely said, Wiring Diagram Trans Aw5040 Opel is universally compatible with any devices to read.

Find Wiring Diagram Trans Aw5040 Opel :

[triumph daytona 955i bike repair service manual](#)

[tropical rainforest brochure templates](#)

[triumph bonneville repair manual 1972](#)

[triumph adventurer 900 885cc service repair manual 1996 1999](#)

triumph speed triple manual

[triumph daytona 750 900 1000 1200 shop manual 1991 1999](#)

[triumph speed triple 2002 factory service repair manual](#)

[trinidad shark and bake recipe](#)

[triumph explorer 120service manual](#)

[trigonometry seventh edition answer guide](#)

[triumph explorer 1200 manual](#)

[trigonometric ratios tescece](#)

[triumph speedmaster manual](#)

[trigonometry pacing guide california](#)

[triplelevision rv camera manual](#)

Wiring Diagram Trans Aw5040 Opel :

Guide de survie pour les enfants vivant avec un TDAH Un livre sympathique pour enfant, plein d'astuces et de trucs pour mieux s'organiser à l'école, à la maison et avec les amis quand on vit avec un TDAH. Guide de survie pour les enfants vivants avec un TDAH Ce livre a été écrit spécialement pour toi - mais tu peux le lire avec tes parents ou avec un adulte en qui tu as confiance. Parle de ce que tu vis, expérimente ... Guide de survie pour les enfants vivant avec un TDAH Mar 20, 2012 — Il ne va pas résoudre tous tes problèmes, mais il va certainement te donner plusieurs trucs pour mieux t'organiser à l'école, à la maison et ... Guide de survie pour les enfants vivant avec un TDAH Tu y trouveras plusieurs activités à réaliser afin de découvrir tes forces et de mieux actualiser ton potentiel.. ... Biographie de l'auteur. John F. Taylor, Ph. Guide de survie pour les enfants vivant avec un TDAH Ce petit guide plein d'idées va permettre aux enfants de mieux comprendre le TDAH, afin qu'ils s'approprient des stratégies pour développer leurs pleins ... Guide de survie pour les enfants vivant avec un TDAH Feb 24, 2014 — Annick Vincent, médecin spécialiste en TDAH, auteure et maman. John F. Taylor, Ph. D. Un guide pratique, sympathique et amusant ! Guide de survie pour les enfants vivant avec un TDAH - Benjo Guide de survie pour les enfants vivant avec un TDAH. Editions Midi Trente. SKU: 0978292382723. Guide de survie pour les enfants vivant avec un TDAH. Guide de survie pour les enfants vivant avec un TDAH Guide de survie pour les enfants vivant avec un TDAH · Lecture en tandem · Catalogue de bibliothèque. Pour aller plus loin : Faire une ... Guide de survie pour les enfants vivants avec un... - John F ... Guide de survie pour les enfants vivants avec un TDAH de Plongez-vous dans le livre John F. Taylor au format Grand Format. Ajoutez-le à votre liste de ... Digital Cinematography: Fundamentals,... by Stump ASC, ... David Stump's Digital Cinematography focuses on the tools and technology of the trade, looking at how digital cameras work, the ramifications of choosing one ... Digital Cinematography: Fundamentals, Tools, Techniques ... This book empowers the reader to correctly choose the appropriate camera and workflow for their project from today's incredibly varied options, as well as ... Digital Cinematography: Fundamentals, Tools, Techniques ... David Stump's Digital Cinematography focusses primarily on the tools and technology of the trade, looking at how digital cameras work, the ramifications of ... Digital Cinematography: Fundamentals, Tools, Techniques ... This book empowers the reader to correctly choose the appropriate camera and workflow for their project from today's incredibly varied options, as well as ... Digital Cinematography: Fundamentals, Tools,

Techniques ... First published in 2014. With the shift from film to digital, a new view of the future of cinematography has emerged. Today's successful cinematographer ... Digital Cinematography: Fundamentals, Tools, Techniques ... Digital Cinematography: Fundamentals, Tools, Techniques, and Workflows by Stump, David - ISBN 10: 0240817915 - ISBN 13: 9780240817910 - Routledge - 2014 ... [PDF] Digital Cinematography by David Stump eBook Fundamentals, Tools, Techniques, and Workflows. David Stump. Read this book ... David Stump's Digital Cinematography focusses primarily on the tools and ... Digital cinematography : fundamentals, tools, techniques ... Digital cinematography : fundamentals, tools, techniques, and workflows ; Author: David Stump ; Edition: Second edition View all formats and editions ; Publisher: ... Digital Cinematography: Fundamentals, Tools, Techniques ... Digital Cinematography: Fundamentals, Tools, Techniques, and Workflows David Stump, ASC 9781138603851 ... Digital Compositing for Film and Video: Production ... Cinematography: A Technical Guide for Filmmakers ... Digital Cinematography, fundamentals, tools, techniques, and workflows" as a good reference guide. Harry Mathias, "The Death & Rebirth of Cinema ... Explaining Psychological Statistics, 3rd... by Cohen, Barry H. This comprehensive graduate-level statistics text is aimed at students with a minimal background in the area or those who are wary of the subject matter. Explaining Psychological Statistics 3th (third) edition Explaining Psychological Statistics 3th (third) edition ; Print length. 0 pages ; Language. English ; Publication date. January 1, 2007 ; ASIN, B006QZ9VN0. Explaining psychological statistics, 3rd ed. by BH Cohen · 2008 · Cited by 1434 — Cohen, B. H. (2008). Explaining psychological statistics (3rd ed.). John Wiley & Sons Inc. Abstract. This edition retains the basic organization of the previous ... barry cohen - explaining psychological statistics - AbeBooks Explaining Psychological Statistics · Price: US\$ 5.76 ; Explaining Psychological Statistics, 3rd Edition · Price: US\$ 6.25 ; Explaining Psychological Statistics. Explaining Psychological Statistics - Barry H. Cohen This comprehensive graduate-level statistics text is aimed at students with a minimal background in the area or those who are wary of the subject matter. Explaining Psychological Statistics Cohen 3rd Edition Pdf Explaining Psychological Statistics Cohen 3rd Edition Pdf. INTRODUCTION Explaining Psychological Statistics Cohen 3rd Edition Pdf Full PDF. Explaining Psychological Statistics, 3rd Edition - Hardcover This comprehensive graduate-level statistics text is aimed at students with a minimal background in the area or those who are wary of the subject matter. Explaining Psychological Statistics | Rent | 9780470007181 Rent Explaining Psychological Statistics 3rd edition (978-0470007181) today, or search our site for other textbooks by Barry H. Cohen. EXPLAINING PSYCHOLOGICAL STATISTICS, 3RD ... EXPLAINING PSYCHOLOGICAL STATISTICS, 3RD EDITION By Barry H. Cohen - Hardcover ; Item Number. 186040771674 ; ISBN-10. 0470007184 ; Book Title. Explaining ... Explaining Psychological Statistics, 3rd Edition, Cohen ... Explaining Psychological Statistics, 3rd Edition, Cohen, Barry H., Good Book ; Est. delivery. Wed, Dec 27 - Tue, Jan 2. From New York, New York, United States.