

Figure 42 Wheel Hubs and Brakes

1. Wheel hub assembly
  2. Brakes
20. Install brake shoe anchor rollers (2).
  21. Install brakes (2).
  22. Inspect spindle threads and spindle nut for corrosion, and clean thoroughly or replace as required.
  23. Pre-lubricate wheel end and end of bearings.
  24. Install wheel hub assembly (1) onto axle.
  25. Install outer wheel bearing into wheel hub.
  26. Install outer wheel bearing inner nut. Tighten inner nut to 75 - 100 ft-lb (101 - 135 Nm).
  27. Rotate nut three full turns.
  28. Back off inner adjusting nut one quarter turn. Do not rotate hub after backing off inner adjusting nut.

29. Install outer wheel bearing lock washer and pinch nut. Tighten pinch nut to 250 - 400 ft-lb (338 - 542 Nm).
30. Verify wheel end play is less than 0.002 in (0.05 mm) using a dial indicator.

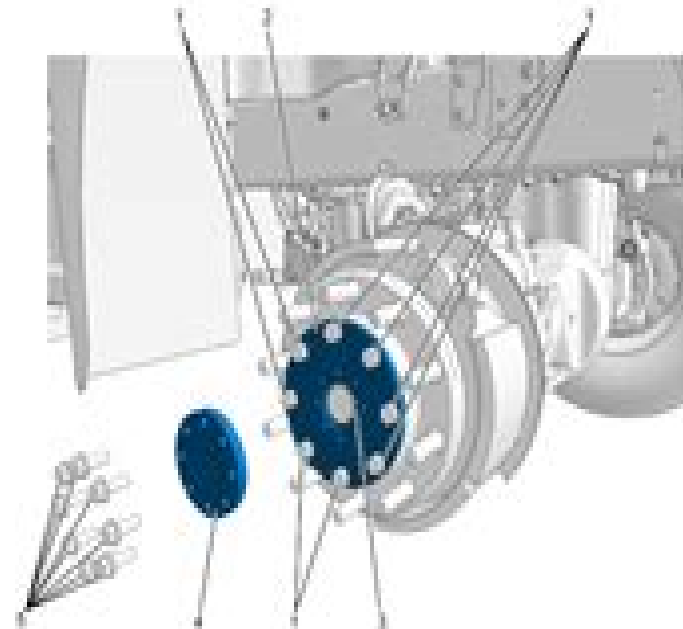


Figure 51 Drive Module

1. Bolt
  2. Drive module
  3. Timing ring
  4. Drive module plate
  5. Bolt
31. Apply layer of silicone gasket to mating surface of drive module (2).
  32. Apply Molykote wheel bearing grease to inside splines of drive module (2) and axle shaft.
  33. Install drive module (2) onto axle.
  34. Install eight bolts (1) in drive module (2). Tighten bolts to 180 - 220 ft-lb (244 - 297 Nm).
  35. Install snap ring (3) onto axle shaft.
  36. Apply 2-1/2 in (3.175 mm) silicone gasket to mating surface of drive module plate (4).
  37. Install drive module plate (4).

# Navistar Dt444e Service Manual

**AW Rasmussen**



## Navistar Dt444e Service Manual:

**Public Works Manual**, 1998    **Fleet Owner**, 1998    **Women in Mechanical Engineering** Margaret Bailey, Laura Shackelford, 2022-04-27 This book features influential scholarly research and technical contributions professional trajectories disciplinary shifts personal insights and a combination of these from a group of remarkable women within mechanical engineering Combined these chapters tell an important story about the dynamic field of mechanical engineering in the areas of energy and the environment as seen from the perspective of some of its most extraordinary women scientists and engineers The volume shares with the Women in Engineering and Science Series the primary aim of documenting and raising awareness of the valuable multi faceted contributions of women engineers and scientists past and present to these areas Women in mechanical engineering and energy and the environment are historically relevant and continue to lead these fields as passionate risk takers entrepreneurs innovators educators and researchers Chapter authors are members of the National Academies winners of major awards and recognition that include Presidential Medals as well as SWE SAE ASME ASEE and IEEE Award winners and Fellows    Computerized Engine Control Peter King, Dick H. King, 1998 Computerized Engine Controls 5E 1998 Update to the Fifth Edition explores the many ways in which computers affect the driveability performance fuel economy and emissions quality of today s vehicles By referencing the fundamentals of electricity and computers this text illustrates how to systematically apply the information to products of virtually all automobile manufacturers Each chapter contains real world examples of applications of the information presented selected lists of technical terms introduced diagnostic exercises and review questions    *Ward's Auto World*, 1993    Commercial Carrier Journal for Professional Fleet Managers, 1999    **The Second Environmental Chemistry Symposium**, 1999    Product Safety & Liability Reporter, 1994    **California Builder & Engineer**, 1995    *Truck Service Manual* Navistar International Corporation, 1984    **Truck Service Manual, CTS-4253** Navistar International Corporation, 1980    **Truck Service Manual, CTS-4231** Navistar International Corporation, 1986\*    *Truck Service Manual CTS-4253* International Harvester Company, 1990    *Truck Service Manual, CTS-4245G* Navistar International Corporation, 1987\*    Truck Service Manual, CTS-5640 Navistar International Corporation, 1997    *Truck Service Manual, CTS-5540* Navistar International Corporation, 1995    **Truck Service Manual, CTS-4260** Navistar International Corporation, 1987\*    **Truck Service Manual**, 1999    *Truck Service Manual* General Motors Corporation. Truck & Coach Division, 1951    Engine D 100, TD 100, 1974

## Unveiling the Power of Verbal Art: An Emotional Sojourn through **Navistar Dt444e Service Manual**

In a global inundated with screens and the cacophony of fast conversation, the profound power and mental resonance of verbal art frequently fade in to obscurity, eclipsed by the constant barrage of noise and distractions. Yet, set within the lyrical pages of **Navistar Dt444e Service Manual**, a interesting perform of literary beauty that impulses with organic feelings, lies an unforgettable journey waiting to be embarked upon. Penned by way of a virtuoso wordsmith, this interesting opus courses viewers on a mental odyssey, lightly revealing the latent possible and profound affect stuck within the delicate internet of language. Within the heart-wrenching expanse of this evocative evaluation, we shall embark upon an introspective exploration of the book is main subjects, dissect their interesting writing type, and immerse ourselves in the indelible impression it leaves upon the depths of readers souls.

[https://hersolutiongelbuy.com/book/Resources/Documents/Panasonic\\_Kx\\_T7668\\_Manual.pdf](https://hersolutiongelbuy.com/book/Resources/Documents/Panasonic_Kx_T7668_Manual.pdf)

### **Table of Contents Navistar Dt444e Service Manual**

1. Understanding the eBook Navistar Dt444e Service Manual
  - The Rise of Digital Reading Navistar Dt444e Service Manual
  - Advantages of eBooks Over Traditional Books
2. Identifying Navistar Dt444e Service Manual
  - Exploring Different Genres
  - Considering Fiction vs. Non-Fiction
  - Determining Your Reading Goals
3. Choosing the Right eBook Platform
  - Popular eBook Platforms
  - Features to Look for in an Navistar Dt444e Service Manual
  - User-Friendly Interface
4. Exploring eBook Recommendations from Navistar Dt444e Service Manual
  - Personalized Recommendations

- Navistar Dt444e Service Manual User Reviews and Ratings
- Navistar Dt444e Service Manual and Bestseller Lists
- 5. Accessing Navistar Dt444e Service Manual Free and Paid eBooks
  - Navistar Dt444e Service Manual Public Domain eBooks
  - Navistar Dt444e Service Manual eBook Subscription Services
  - Navistar Dt444e Service Manual Budget-Friendly Options
- 6. Navigating Navistar Dt444e Service Manual eBook Formats
  - ePub, PDF, MOBI, and More
  - Navistar Dt444e Service Manual Compatibility with Devices
  - Navistar Dt444e Service Manual Enhanced eBook Features
- 7. Enhancing Your Reading Experience
  - Adjustable Fonts and Text Sizes of Navistar Dt444e Service Manual
  - Highlighting and Note-Taking Navistar Dt444e Service Manual
  - Interactive Elements Navistar Dt444e Service Manual
- 8. Staying Engaged with Navistar Dt444e Service Manual
  - Joining Online Reading Communities
  - Participating in Virtual Book Clubs
  - Following Authors and Publishers Navistar Dt444e Service Manual
- 9. Balancing eBooks and Physical Books Navistar Dt444e Service Manual
  - Benefits of a Digital Library
  - Creating a Diverse Reading Collection Navistar Dt444e Service Manual
- 10. Overcoming Reading Challenges
  - Dealing with Digital Eye Strain
  - Minimizing Distractions
  - Managing Screen Time
- 11. Cultivating a Reading Routine Navistar Dt444e Service Manual
  - Setting Reading Goals Navistar Dt444e Service Manual
  - Carving Out Dedicated Reading Time
- 12. Sourcing Reliable Information of Navistar Dt444e Service Manual
  - Fact-Checking eBook Content of Navistar Dt444e Service Manual

- Distinguishing Credible Sources
13. Promoting Lifelong Learning
- Utilizing eBooks for Skill Development
  - Exploring Educational eBooks
14. Embracing eBook Trends
- Integration of Multimedia Elements
  - Interactive and Gamified eBooks

## **Navistar Dt444e Service Manual Introduction**

Free PDF Books and Manuals for Download: Unlocking Knowledge at Your Fingertips In today's fast-paced digital age, obtaining valuable knowledge has become easier than ever. Thanks to the internet, a vast array of books and manuals are now available for free download in PDF format. Whether you are a student, professional, or simply an avid reader, this treasure trove of downloadable resources offers a wealth of information, conveniently accessible anytime, anywhere. The advent of online libraries and platforms dedicated to sharing knowledge has revolutionized the way we consume information. No longer confined to physical libraries or bookstores, readers can now access an extensive collection of digital books and manuals with just a few clicks. These resources, available in PDF, Microsoft Word, and PowerPoint formats, cater to a wide range of interests, including literature, technology, science, history, and much more. One notable platform where you can explore and download free Navistar Dt444e Service Manual PDF books and manuals is the internet's largest free library. Hosted online, this catalog compiles a vast assortment of documents, making it a veritable goldmine of knowledge. With its easy-to-use website interface and customizable PDF generator, this platform offers a user-friendly experience, allowing individuals to effortlessly navigate and access the information they seek. The availability of free PDF books and manuals on this platform demonstrates its commitment to democratizing education and empowering individuals with the tools needed to succeed in their chosen fields. It allows anyone, regardless of their background or financial limitations, to expand their horizons and gain insights from experts in various disciplines. One of the most significant advantages of downloading PDF books and manuals lies in their portability. Unlike physical copies, digital books can be stored and carried on a single device, such as a tablet or smartphone, saving valuable space and weight. This convenience makes it possible for readers to have their entire library at their fingertips, whether they are commuting, traveling, or simply enjoying a lazy afternoon at home. Additionally, digital files are easily searchable, enabling readers to locate specific information within seconds. With a few keystrokes, users can search for keywords, topics, or phrases, making research and finding relevant information a breeze. This efficiency saves time and effort, streamlining the learning process and allowing individuals to focus on extracting the

information they need. Furthermore, the availability of free PDF books and manuals fosters a culture of continuous learning. By removing financial barriers, more people can access educational resources and pursue lifelong learning, contributing to personal growth and professional development. This democratization of knowledge promotes intellectual curiosity and empowers individuals to become lifelong learners, promoting progress and innovation in various fields. It is worth noting that while accessing free Navistar Dt444e Service Manual PDF books and manuals is convenient and cost-effective, it is vital to respect copyright laws and intellectual property rights. Platforms offering free downloads often operate within legal boundaries, ensuring that the materials they provide are either in the public domain or authorized for distribution. By adhering to copyright laws, users can enjoy the benefits of free access to knowledge while supporting the authors and publishers who make these resources available. In conclusion, the availability of Navistar Dt444e Service Manual free PDF books and manuals for download has revolutionized the way we access and consume knowledge. With just a few clicks, individuals can explore a vast collection of resources across different disciplines, all free of charge. This accessibility empowers individuals to become lifelong learners, contributing to personal growth, professional development, and the advancement of society as a whole. So why not unlock a world of knowledge today? Start exploring the vast sea of free PDF books and manuals waiting to be discovered right at your fingertips.

### **FAQs About Navistar Dt444e Service Manual Books**

How do I know which eBook platform is the best for me? Finding the best eBook platform depends on your reading preferences and device compatibility. Research different platforms, read user reviews, and explore their features before making a choice. Are free eBooks of good quality? Yes, many reputable platforms offer high-quality free eBooks, including classics and public domain works. However, make sure to verify the source to ensure the eBook credibility. Can I read eBooks without an eReader? Absolutely! Most eBook platforms offer web-based readers or mobile apps that allow you to read eBooks on your computer, tablet, or smartphone. How do I avoid digital eye strain while reading eBooks? To prevent digital eye strain, take regular breaks, adjust the font size and background color, and ensure proper lighting while reading eBooks. What the advantage of interactive eBooks? Interactive eBooks incorporate multimedia elements, quizzes, and activities, enhancing the reader engagement and providing a more immersive learning experience. Navistar Dt444e Service Manual is one of the best book in our library for free trial. We provide copy of Navistar Dt444e Service Manual in digital format, so the resources that you find are reliable. There are also many Ebooks of related with Navistar Dt444e Service Manual. Where to download Navistar Dt444e Service Manual online for free? Are you looking for Navistar Dt444e Service Manual PDF? This is definitely going to save you time and cash in something you should think about.

**Find Navistar Dt444e Service Manual :**

**panasonic kx t7668 manual**

**panasonic kx t7630 auto answer**

panasonic kx ts15 w manual

**panasonic lumix dmc fz30 user manual**

**panasonic kx tda100d feature guide**

pancake pancake activities

panasonic viera tc p54g10 service manual repair guide

*panasonic th 42phd7uy manual*

*panasonic wj mx30 manual*

panasonic lumix dmc fz18 series service manual repair

panasonic microwave genius sensor 1250w manual

*panasonic lumix dmc lz1 series digital camera service repair manual*

panasonic fv 08vq5 installation instructions

**panasonic security camera manual**

*panasonic g1 user manual*

**Navistar Dt444e Service Manual :**

the goodman theatre s rapture blister burn youtube - Jan 02 2022

web jennifer coombs mark l montgomery perform a scene from the goodman s production of rapture blister burn for more video visit [chicagotribune.com](http://chicagotribune.com)

**dramatists play service inc** - Feb 15 2023

web rapture blister burn gina gionfriddo author bio s pdf preview 13 00 full length comedy 1 man 4 women total cast 5 flexible set isbn 13 978 0 8222 2999 5 format acting edition apply for rights min performance fee 105 per performance the story after grad school catherine and gwen chose polar opposite paths

rapture blister burn gionfriddo gina author free download - Mar 16 2023

web may 25 2022 rapture blister burn by gionfriddo gina author publication date 2014 topics feminism drama female friendship drama sex role drama publisher london bloomsbury

**pdf rapture blister burn by gina gionfriddo perlego** - Aug 09 2022



web gina gionfriddo book details book preview table of contents citations about this book women are running for president men are exfoliating it s all jumbled you can t read the signs can any woman have it all

**rapture blister burn modern plays amazon com** - Feb 03 2022

web mar 19 2014 gina gionfriddo dissects modern gender politics in this breathtakingly witty and virtuosic comedy set in a small new england college town traversing the experiences of women across the generations this play is a hugely entertaining exploration of a new style of feminism ripe for the twenty first century

rapture blister burn at playwrights horizons the new york times - Nov 12 2022

web jun 13 2012 a theater review on wednesday about rapture blister burn at playwrights horizons in manhattan misspelled the surname of a prominent feminist whose ideas are discussed in the play she

**rapture blister burn full script pdf feminism gender studies** - Apr 05 2022

web rapture blister burn full script free download as pdf file pdf text file txt or read online for free

*rapture blister burn and laughter bu today boston university* - Dec 13 2022

web may 29 2013 the quartet of women in gina gionfriddo s rapture blister burn offers a provocative and humorous tableau of the graying of second wave feminism and the ambivalence of its beneficiaries women of all ages are likely to see at least some of themselves in the critically acclaimed play a 2013 finalist for the pulitzer prize which

**rapture blister burn bloomsbury publishing** - Apr 17 2023

web traversing the experiences of women across the generations this play is a hugely entertaining exploration of a new style of feminism ripe for the twenty first century rapture blister burn was commissioned by playwrights horizons where it premiered with funds from the harold and mim steinberg charitable trust

*rapture blister burn youtube* - Aug 21 2023

web jan 28 2018 february 7 2018 through march 4 20182013 pulitzer prize finalist in drama rapture blister burn is a searing comedy that examines the psyches of two wome

rapture blister burn dramatists play service - May 18 2023

web world premiere of rapture blister burn off broadway in 2012 the following acknowledgments must appear on the title page in all programs distributed in connection with performanes of the play rapture blister burn was comissioned by playwrights horizons with funds provided by the harold and mimi steinberg commissioning program

**rapture blister burn study guide by geffen playhouse issuu** - Mar 04 2022

web jul 30 2013 welcome to rapture blister burn the first play of our 2013 2014 season we are so pleased to open with gina gionfriddo s smart funny look at what it means to be a woman in this millennium

loading interface goodreads - Oct 11 2022

web rapture blister burn gina gionfriddo 3 75 280 ratings37 reviews women are running for president men are exfoliating it s all you can t read the signs can any woman have it all after university catherine and gwen chose opposite catherine built a career as a rock star academic while gwen built a home with a husband and children

**rapture blister burn goodman theatre** - Jul 20 2023

web rapture blister burn the pulitzer prize finalist hailed as intensely smart immensely funny by the new york times makes its chicago debut in a sharp new production after graduate school catherine and gwen chose opposite paths

**review rapture blister burn explores gender and agency** - Jan 14 2023

web mar 2 2023 rapture blister burn is an ambitious play that explores themes of female agency sexual freedom and the toxicity of human nature with all of its themes and topics it proves a challenging play to pull off however the cast crew and director on the hill were up to the challenge on saturday night

**rapture blister burn theater review the hollywood reporter** - Jun 07 2022

web aug 23 2013 lifestyle style rapture blister burn theater review classical period feminist thought is mined for comedy at the geffen playhouse in westwood by myron meisel august 23 2013 11 55am rapture

**rapture blister burn gina gionfriddo google books** - May 06 2022

web mar 19 2014 traversing the experiences of women across the generations this play is a hugely entertaining exploration of a new style of feminism ripe for the twenty first century rapture blister burn was commissioned by playwrights horizons where it premiered with funds from the harold and mim steinberg charitable trust

**rapture blister burn plays to see** - Jul 08 2022

web jan 16 2014 well wrong actually suggests gina gionfriddo in her gender politics drama rapture blister burn don adam james and gwen emma fielding live a comfortable suburban life with their two children they had the second gwen explains instead of getting a divorce he is a college dean with pot and porn addictions but no ambition she is a

[rapture blister burn book 2014 worldcat org](#) - Sep 10 2022

web rapture blister burn gina gionfriddo after grad school catherine and gwen chose polar opposite paths catherine built a career as a rockstar academic while gwen built a home with her husband and children

**rapture blister burn the feminist spectator** - Jun 19 2023

web jun 2 2012 in rapture blister burn don discards his potential for a life that proceeds quietly under the social radar while catherine moves out into the public world of ideas and culture tergesen strikes just the right notes as a charming enough middle aged man who knows himself and his limitations

**nuovo pignone in english with contextual examples mymemory** - Oct 02 2022

web contextual translation of nuovo pignone into english human translations with examples pignon sprocket intermediate

pinion

nuovo pignone international s r l a massa indirizzo e contatti - May 29 2022

web numeri utili in zona carabinieri asl croce rossa ospedale camera di commercio agenzia delle entrate nuovo pignone international s r l in via dorsale 3 massa numero di telefono mappa descrizione indirizzo e itinerario su pagine bianche

*nuovo pignone tra umanesimo e futuro viaggio dent pdf* - May 09 2023

web merely said the nuovo pignone tra umanesimo e futuro viaggio dent is universally compatible taking into account any devices to read nuovo pignone tra umanesimo e futuro viaggio dent downloaded from autoconfig sureoak com by guest

*nuovo pignone tra umanesimo e futuro viaggio dent pdf* - Jul 11 2023

web may 14 2023 nuovo pignone tra umanesimo e futuro viaggio dent pdf when people should go to the book stores search creation by shop shelf by shelf it is in point of fact problematic this is why we provide the books compilations in this website it will certainly ease you to look guide nuovo pignone tra umanesimo e futuro viaggio dent pdf as

**nuovo pignone tra umanesimo e futuro viaggio dentro l** - Jan 05 2023

web e tra umanesimo e devotio studi di storia monastica rac nuovo domani in azienda a 15 30 trovaprezzi it gt altri primomaggio 21 2015 by cgil regionale toscana issuu nuovo pignone tra umanesimo e futuro barni giovanni per chi suona la campanella libro nuovo pignone tra umanesimo e futuro viaggio dentro l

**dopo due anni il grande ritorno degli orti di pignone** - Mar 27 2022

web aug 17 2022 tutto pronto ancora una volta dopo due anni di stop ritorna acclamatissima la mostra mercato gli orti di pignone che nell estate 2022 impegnerà il weekend del 27 e 28 agosto tutto il borgo

**bucket list of travel destinations for 2022 honeycombers** - Apr 27 2022

web oct 29 2021 best travel destinations for 2022 1 rome italy photography spencer davis via unsplash the capital of italy overflows with history world famous attractions and amazing food like pasta gelato and pizzas so it s totally understandable to feel overwhelmed when you re planning an itinerary

*nuovo pignone tra umanesimo e futuro viaggio dent full pdf* - Jun 10 2023

web nuovo pignone tra umanesimo e futuro viaggio dent momigliano and antiquarianism jan 20 2020 in momigliano and antiquarianism peter n miller brings together an international and interdisciplinary group of scholars to provide the first serious study of momigliano s history of historical scholarship a new sense of

*nuovo pignone tra umanesimo e futuro viaggio dent pdf* - Oct 14 2023

web nuovo pignone tra umanesimo e futuro viaggio dent la buona politica e la casa comune may 05 2023 la buona politica e la casa comune breve trattato di filosofia politica di ispirazione cristiana la modernità è ancora una categoria spirituale e culturale ermeneutica e discriminante di lettura della

**nuovo pignone tra umanesimo e futuro viaggio dent copy** - Sep 01 2022

web aug 5 2023 nuovo pignone tra umanesimo e futuro viaggio dent 2 7 downloaded from uniport edu ng on august 5 2023 by guest the tomb of god richard andrews 1997 08 04 it began as an intriguing piece of puzzle solving and

nuovo pignone tra umanesimo e futuro viaggio dent - Sep 13 2023

web nuovo pignone tra umanesimo e futuro viaggio dent the vivaldi compendium apr 28 2022 the vivaldi compendium will serve as the most reliable and up to date source of quick reference on the composer antonio vivaldi and his music this takes the form of a dictionary listing persons places

*nuovo pignone tra umanesimo e futuro viaggio dent copy* - Jul 31 2022

web mar 13 2023 nuovo pignone tra umanesimo e futuro viaggio dent 2 6 downloaded from uniport edu ng on march 13 2023 by guest volume explores gender panic and policy in the united states and beyond geographers hayden lorimer 2015 12

14 catalogo dei libri in commercio 1999 leila antonio fogazzaro 1911 nuovo pignone tra umanesimo e futuro

download solutions nuovo pignone tra umanesimo e futuro viaggio dent - Mar 07 2023

web nuovo pignone tra umanesimo e futuro viaggio dentro l industria per scoprire il lavoro del domani may 25 2023

callimaque may 01 2021 pillole di management di strada jun 14 2022 john florio sep 17 2022 tredici volte lenin dec 08 2021

jozef ijsewijn humanism in the low countries jun 02 2021

**nuovo pignone tra umanesimo e futuro viaggio dent** - Feb 23 2022

web may 2 2023 nuovo pignone tra umanesimo e futuro viaggio dent 3 9 downloaded from uniport edu ng on may 2 2023 by guest the undivine comedy teodolinda barolini 1992 10 30 accepting dante s prophetic truth claims on their own terms

teodolinda barolini proposes a detheologized

**nuovo pignone tra umanesimo e futuro viaggio dentro l industria** - Feb 06 2023

web scopri nuovo pignone tra umanesimo e futuro viaggio dentro l industria per scoprire il lavoro del domani di barni

giovanni spedizione gratuita per i clienti prime e per ordini a partire da 29 spediti da amazon

pdf nuovo pignone tra umanesimo e futuro viaggio dent pdf - Nov 03 2022

web aug 7 2023 nuovo pignone tra umanesimo e futuro viaggio dent pdf and numerous ebook collections from fictions to scientific research in any way in the course of them is this nuovo pignone tra umanesimo e futuro viaggio dent pdf that can be your partner città di vita a lxxvi n 5 settembre ottobre 2021 edizioni edizioni polistampa

**nuovo pignone tra umanesimo e futuro viaggio dent copy** - Jun 29 2022

web jun 17 2023 we offer you this proper as with ease as simple mannerism to acquire those all we give nuovo pignone tra umanesimo e futuro viaggio dent and numerous book collections from fictions to scientific research in any way in the course of them is this nuovo pignone tra umanesimo e futuro viaggio dent that can be your partner

[nuovo pignone tra umanesimo e futuro viaggio dent](#) - Aug 12 2023

web nuovo pignone tra umanesimo e futuro viaggio dent spiral of violence profilo ideologico del novecento italian mannerism the fascist dictatorship in italy nuovo pignone tra umanesimo e futuro viaggio dentro l industria per scoprire il lavoro del domani dal progetto al prototipo the florentine histories l umanesimo cristiano di

**downloadable free pdfs nuovo pignone tra umanesimo e futuro viaggio dent** - Apr 08 2023

web nuovo pignone tra umanesimo e futuro viaggio dent history of linguistics vol iii mar 26 2023 thehistory of linguistics to be published in five volumes aims to provide the reader with an authoritative and comprehensive account of the attitudes to language prevailing in different civilizations and in different periods by

**nuovo pignone tra umanesimo e futuro viaggio dent pdf** - Dec 04 2022

web jun 30 2023 nuovo pignone tra umanesimo e futuro viaggio dent is available in our book collection an online access to it is set as public so you can download it instantly our books collection hosts in multiple countries allowing you to get the most less latency time to download any of our books like this one

[atatürk ün gençliğe hitabe nutuk eserin hangi bölümünde yer alır](#) - Feb 12 2022

web sep 23 2014 atatürk ün gençliğe hitabe nutuk eserin hangi bölümünde yer alır yardım ederseniz çok sevinirim ama biraz acelem var

**artet liber nxenesi klasa 10 11 12 2022 securev nj1 2** - May 18 2022

web artet liber nxenesi klasa 10 11 12 downloaded from securev nj1 2 mobileexpression com by guest ashley august atlas shrugged wiley blackwell the book describes current research into all aspects of craftwork in ancient egypt ethics and accountability in african public services house of anansi

[artet liber nxenesi klasa 10 11 12 pdf ftp vape mexico](#) - Jul 20 2022

web 2 artet liber nxenesi klasa 10 11 12 2022 12 31 into practice in the classroom throughout the school and in the wider community it is intended for all teachers not only specialists but teachers in all subject areas and teacher educators working in higher education institutions or other settings both in pre and in service training

[artet klasa 10 11 12 subsites imoney my](#) - Feb 24 2023

web sep 30 2023 read udhezimi 2011 2012 pdf readbag com artet liber nxenesi klasa 10 11 12 howtogetitincanada com gjeografia 6 liber mesuesi by dita print issuu 12 histori kl 10 11 scribd com artet klasa 10 11 12 acknex de artet liber nxenesi klasa 10 11 12 198 74 57 167 albas me ne më afër dijës artet liber nxenesi klasa 10 11 12 habmut de

**artet liber nxenesi klasa 10 11 12 pdf 2023** - Jun 30 2023

web mar 8 2023 artet liber nxenesi klasa 10 11 12 pdf when somebody should go to the book stores search creation by shop shelf by shelf it is in reality problematic this is why we offer the ebook compilations in this website it will unquestionably ease

you to see guide artet liber nxenesi klasa 10 11 12 pdf as you such as

**atatürk ün büyük eseri nutuk gençliğe hitabe ile** - Apr 16 2022

web sep 24 2021 atatürk ün büyük eseri nutuk gençliğe hitabe ile son bulur atatürk ün gençliğe hitabesi nin ilk cümlesinde ey türk gençliği birinci vazifen türk

artet liber nxenesi klasa 10 11 12 download only wrbb neu - Aug 01 2023

web getting the books artet liber nxenesi klasa 10 11 12 now is not type of challenging means you could not lonesome going later ebook growth or library or borrowing from your associates to admittance them this is an entirely simple means to specifically get lead by on line this online proclamation artet liber nxenesi klasa 10 11 12 can be one

atatürk ün ankara ya gelişi ile ilgili yazı 27 aralık 1919 - Mar 16 2022

web atatürk ün ankara ya gelişi ile ilgili yazı 27 aralık 1919 27 aralık atatürk ün ankara ya gelişi kaynak ataturkinkilaplari com en kapsamlı atatürk sitesi tarafından muhtelif belirli günler ve haftalar ile tc İnkılap tarihi ve atatürkçülük kitaplarından derlenerek oluşturulmuştur okuma sayısı

artet liber nxenesi klasa 10 11 12 pdf full pdf stoa org - Oct 03 2023

web now is artet liber nxenesi klasa 10 11 12 pdf below principles and practices of teaching reading arthur w heilman 1964 the ghost rider ismail kadare 2010 05 20 an old woman is awoken in the dead of night by knocks at her front door the woman opens it to find her daughter doroutine standing there alone in the darkness

**artet liber nxenesi klasa 10 11 12 download only** - May 30 2023

web artet liber nxenesi klasa 10 11 12 this is likewise one of the factors by obtaining the soft documents of this artet liber nxenesi klasa 10 11 12 by online you might not require more times to spend to go to the books opening as competently as search for them in some cases you likewise realize not discover the notice artet liber

artet klasa 10 11 12 huafay - Oct 23 2022

web oct 11 2012 artet liber nxenesi klasa 10 11 12 download books artet liber nxenesi klasa 10 11 12 online download books artet liber nxenesi klasa 10 11 12 pdf download books artet liber nxenesi klasa 10 11 12 for free books artet liber nxenesi klasa 10 read and download artet klasa 10 11 12 free ebooks in pdf format pre

artet liber nxenesi klasa 10 11 12 pdf banking finance gov - Mar 28 2023

web artet liber nxenesi klasa 10 11 12 3 3 transformation if we are the same person before and after we loved that means we haven t loved enough ella rubinstein has a husband three teenage children and a pleasant home everything that should make her confident and fulfilled yet there is an emptiness at the heart of ella s life an emptiness

liber nxenesi gjeografia 12 secure4 khronos - Sep 02 2023

web jun 26 2023 title artet liber nxenesi klasa 10 11 12 author eel pie publishing keywords download books artet liber

nxenesi klasa 10 11 12 download books artet liber nxenesi klasa 10 11 12 online download books artet liber nxenesi klasa 10 11 12 pdf download books artet liber nxenesi klasa 10 11 12 for free books artet liber [artet liber nxenesi klasa 10 11 12 full pdf cdn writermag](#) - Sep 21 2022

web 2 artet liber nxenesi klasa 10 11 12 2023 09 24 currently consists of 28 member states including most of the formerly communist countries of central and eastern europe the eu is largely viewed as a cornerstone of european stability and prosperity for much of the last decade however many eu countries have faced considerable economic [artet klasa 10 11 12 mintxx](#) - Dec 25 2022

web artet liber nxenesi klasa 10 11 12 raggae de 12 histori kl 10 11 scribd com 7 kurrikula e gjimnazit scribd com 1 artet liber nxenesi klasa 10 11 12 asgoth de free download here pdfdocuments2 com artet liber nxenesi klasa 10 11 12 198 74 57 167

**artet liber nxenesi klasa 10 11 12 2022 old syndeohro** - Apr 28 2023

web artet liber nxenesi klasa 10 11 12 3 3 became independent from the rest of egypt egypt remained split between the canaanitic rulers in north and the native egyptian kings in the south for the rest of the second intermediate period the division of egypt brought about an economic decline and the entire period is characterized by a lack of

**artet liber nxenesi klasa 10 11 12 pdf assetsebukuproject** - Aug 21 2022

web will categorically offer it is not all but the costs its practically what you obsession currently this artet liber nxenesi klasa 10 11 12 pdf as one of the most on the go sellers here will enormously be among the best options to review eugenie grandet honoré de balzac 1907 the european union kristin archick 2018 12 04

**artet liber nxenesi klasa 10 11 12 2023 cdn writermag** - Nov 23 2022

web artet liber nxenesi klasa 10 11 12 3 3 an accident that left her crippled and unable to bear children to salvage what she could from her unhappy situation kahlo had to learn to keep still so she began to paint kahlo s unique talent was to make her one of the century s most enduring artists but her remarkable paintings were only one

[bolu merkez bolu atatürk anadolu lisesi](#) - Jun 18 2022

web t c millî eğitim bakanlığı bolu merkez bolu atatürk anadolu lisesi baal yari final grubunda bağlantılar mezun bilgi sistemi e okul yönetim bilgi sistemleri giriş ekranı meb bilişim sistemleri giriş ekranı e okul veli bilgilendirme sistemi e devlet kapısı turkiye gov tr

[artet liber nxenesi klasa 10 11 12 retreat vedantaworld](#) - Jan 26 2023

web artet liber nxenesi klasa 10 11 12 1 artet liber nxenesi klasa 10 11 12 right here we have countless book artet liber nxenesi klasa 10 11 12 and collections to check out we additionally provide variant types and also type of the books to browse the customary book

