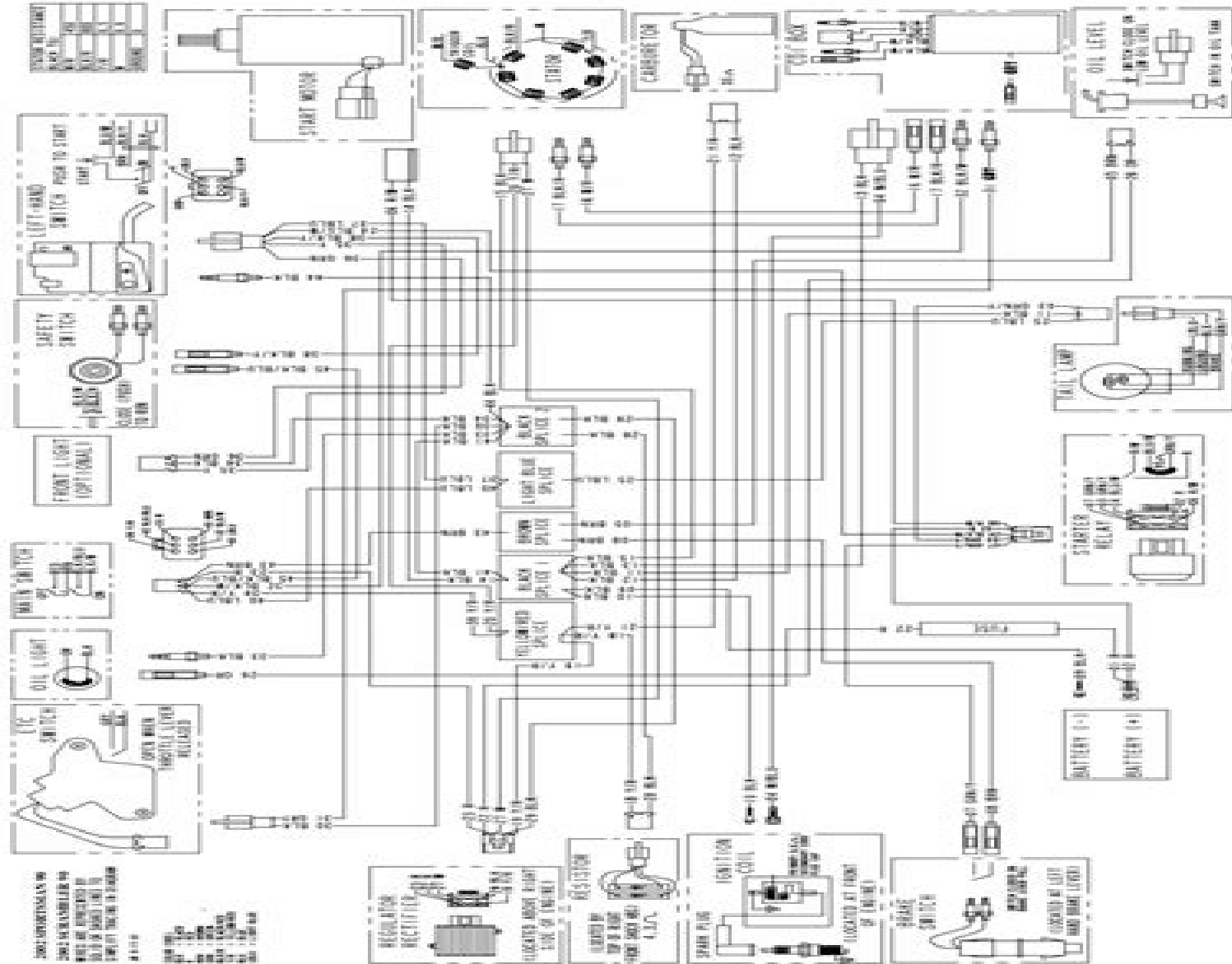


WIRING DIAGRAM 2001 SCRAMBLER 90, SPORTSMAN 90



# Wiring Diagram For 2000 Polaris 335 Sportsman

**J Spring**



## **Wiring Diagram For 2000 Polaris 335 Sportsman:**

Eventually, you will entirely discover a supplementary experience and success by spending more cash. nevertheless when? reach you give a positive response that you require to get those every needs similar to having significantly cash? Why dont you try to get something basic in the beginning? Thats something that will lead you to understand even more on the subject of the globe, experience, some places, like history, amusement, and a lot more?

It is your definitely own grow old to fake reviewing habit. among guides you could enjoy now is **Wiring Diagram For 2000 Polaris 335 Sportsman** below.

[https://hersolutiongelbuy.com/book/detail/fetch.php/robot\\_coupe\\_blixer3\\_food\\_processors\\_owners\\_manual.pdf](https://hersolutiongelbuy.com/book/detail/fetch.php/robot_coupe_blixer3_food_processors_owners_manual.pdf)

## **Table of Contents Wiring Diagram For 2000 Polaris 335 Sportsman**

1. Understanding the eBook Wiring Diagram For 2000 Polaris 335 Sportsman
  - The Rise of Digital Reading Wiring Diagram For 2000 Polaris 335 Sportsman
  - Advantages of eBooks Over Traditional Books
2. Identifying Wiring Diagram For 2000 Polaris 335 Sportsman
  - Exploring Different Genres
  - Considering Fiction vs. Non-Fiction
  - Determining Your Reading Goals
3. Choosing the Right eBook Platform
  - Popular eBook Platforms
  - Features to Look for in an Wiring Diagram For 2000 Polaris 335 Sportsman
  - User-Friendly Interface
4. Exploring eBook Recommendations from Wiring Diagram For 2000 Polaris 335 Sportsman
  - Personalized Recommendations
  - Wiring Diagram For 2000 Polaris 335 Sportsman User Reviews and Ratings
  - Wiring Diagram For 2000 Polaris 335 Sportsman and Bestseller Lists
5. Accessing Wiring Diagram For 2000 Polaris 335 Sportsman Free and Paid eBooks

- Wiring Diagram For 2000 Polaris 335 Sportsman Public Domain eBooks
  - Wiring Diagram For 2000 Polaris 335 Sportsman eBook Subscription Services
  - Wiring Diagram For 2000 Polaris 335 Sportsman Budget-Friendly Options
6. Navigating Wiring Diagram For 2000 Polaris 335 Sportsman eBook Formats
    - ePub, PDF, MOBI, and More
    - Wiring Diagram For 2000 Polaris 335 Sportsman Compatibility with Devices
    - Wiring Diagram For 2000 Polaris 335 Sportsman Enhanced eBook Features
  7. Enhancing Your Reading Experience
    - Adjustable Fonts and Text Sizes of Wiring Diagram For 2000 Polaris 335 Sportsman
    - Highlighting and Note-Taking Wiring Diagram For 2000 Polaris 335 Sportsman
    - Interactive Elements Wiring Diagram For 2000 Polaris 335 Sportsman
  8. Staying Engaged with Wiring Diagram For 2000 Polaris 335 Sportsman
    - Joining Online Reading Communities
    - Participating in Virtual Book Clubs
    - Following Authors and Publishers Wiring Diagram For 2000 Polaris 335 Sportsman
  9. Balancing eBooks and Physical Books Wiring Diagram For 2000 Polaris 335 Sportsman
    - Benefits of a Digital Library
    - Creating a Diverse Reading Collection Wiring Diagram For 2000 Polaris 335 Sportsman
  10. Overcoming Reading Challenges
    - Dealing with Digital Eye Strain
    - Minimizing Distractions
    - Managing Screen Time
  11. Cultivating a Reading Routine Wiring Diagram For 2000 Polaris 335 Sportsman
    - Setting Reading Goals Wiring Diagram For 2000 Polaris 335 Sportsman
    - Carving Out Dedicated Reading Time
  12. Sourcing Reliable Information of Wiring Diagram For 2000 Polaris 335 Sportsman
    - Fact-Checking eBook Content of Wiring Diagram For 2000 Polaris 335 Sportsman
    - Distinguishing Credible Sources
  13. Promoting Lifelong Learning
    - Utilizing eBooks for Skill Development

- Exploring Educational eBooks
- 14. Embracing eBook Trends
  - Integration of Multimedia Elements
  - Interactive and Gamified eBooks

### **Wiring Diagram For 2000 Polaris 335 Sportsman Introduction**

Free PDF Books and Manuals for Download: Unlocking Knowledge at Your Fingertips In today's fast-paced digital age, obtaining valuable knowledge has become easier than ever. Thanks to the internet, a vast array of books and manuals are now available for free download in PDF format. Whether you are a student, professional, or simply an avid reader, this treasure trove of downloadable resources offers a wealth of information, conveniently accessible anytime, anywhere. The advent of online libraries and platforms dedicated to sharing knowledge has revolutionized the way we consume information. No longer confined to physical libraries or bookstores, readers can now access an extensive collection of digital books and manuals with just a few clicks. These resources, available in PDF, Microsoft Word, and PowerPoint formats, cater to a wide range of interests, including literature, technology, science, history, and much more. One notable platform where you can explore and download free Wiring Diagram For 2000 Polaris 335 Sportsman PDF books and manuals is the internet's largest free library. Hosted online, this catalog compiles a vast assortment of documents, making it a veritable goldmine of knowledge. With its easy-to-use website interface and customizable PDF generator, this platform offers a user-friendly experience, allowing individuals to effortlessly navigate and access the information they seek. The availability of free PDF books and manuals on this platform demonstrates its commitment to democratizing education and empowering individuals with the tools needed to succeed in their chosen fields. It allows anyone, regardless of their background or financial limitations, to expand their horizons and gain insights from experts in various disciplines. One of the most significant advantages of downloading PDF books and manuals lies in their portability. Unlike physical copies, digital books can be stored and carried on a single device, such as a tablet or smartphone, saving valuable space and weight. This convenience makes it possible for readers to have their entire library at their fingertips, whether they are commuting, traveling, or simply enjoying a lazy afternoon at home. Additionally, digital files are easily searchable, enabling readers to locate specific information within seconds. With a few keystrokes, users can search for keywords, topics, or phrases, making research and finding relevant information a breeze. This efficiency saves time and effort, streamlining the learning process and allowing individuals to focus on extracting the information they need. Furthermore, the availability of free PDF books and manuals fosters a culture of continuous learning. By removing financial barriers, more people can access educational resources and pursue lifelong learning, contributing to personal growth and professional development. This democratization of knowledge

promotes intellectual curiosity and empowers individuals to become lifelong learners, promoting progress and innovation in various fields. It is worth noting that while accessing free Wiring Diagram For 2000 Polaris 335 Sportsman PDF books and manuals is convenient and cost-effective, it is vital to respect copyright laws and intellectual property rights. Platforms offering free downloads often operate within legal boundaries, ensuring that the materials they provide are either in the public domain or authorized for distribution. By adhering to copyright laws, users can enjoy the benefits of free access to knowledge while supporting the authors and publishers who make these resources available. In conclusion, the availability of Wiring Diagram For 2000 Polaris 335 Sportsman free PDF books and manuals for download has revolutionized the way we access and consume knowledge. With just a few clicks, individuals can explore a vast collection of resources across different disciplines, all free of charge. This accessibility empowers individuals to become lifelong learners, contributing to personal growth, professional development, and the advancement of society as a whole. So why not unlock a world of knowledge today? Start exploring the vast sea of free PDF books and manuals waiting to be discovered right at your fingertips.

### FAQs About Wiring Diagram For 2000 Polaris 335 Sportsman Books

**What is a Wiring Diagram For 2000 Polaris 335 Sportsman PDF?** A PDF (Portable Document Format) is a file format developed by Adobe that preserves the layout and formatting of a document, regardless of the software, hardware, or operating system used to view or print it. **How do I create a Wiring Diagram For 2000 Polaris 335 Sportsman PDF?** There are several ways to create a PDF: Use software like Adobe Acrobat, Microsoft Word, or Google Docs, which often have built-in PDF creation tools. Print to PDF: Many applications and operating systems have a "Print to PDF" option that allows you to save a document as a PDF file instead of printing it on paper. Online converters: There are various online tools that can convert different file types to PDF. **How do I edit a Wiring Diagram For 2000 Polaris 335 Sportsman PDF?** Editing a PDF can be done with software like Adobe Acrobat, which allows direct editing of text, images, and other elements within the PDF. Some free tools, like PDFescape or Smallpdf, also offer basic editing capabilities. **How do I convert a Wiring Diagram For 2000 Polaris 335 Sportsman PDF to another file format?** There are multiple ways to convert a PDF to another format: Use online converters like Smallpdf, Zamzar, or Adobe Acrobat's export feature to convert PDFs to formats like Word, Excel, JPEG, etc. Software like Adobe Acrobat, Microsoft Word, or other PDF editors may have options to export or save PDFs in different formats. **How do I password-protect a Wiring Diagram For 2000 Polaris 335 Sportsman PDF?** Most PDF editing software allows you to add password protection. In Adobe Acrobat, for instance, you can go to "File" -> "Properties" -> "Security" to set a password to restrict access or editing capabilities. Are there any free alternatives to Adobe Acrobat for working with PDFs? Yes, there are many free alternatives for working with PDFs, such as: LibreOffice: Offers

PDF editing features. PDFsam: Allows splitting, merging, and editing PDFs. Foxit Reader: Provides basic PDF viewing and editing capabilities. How do I compress a PDF file? You can use online tools like Smallpdf, ILovePDF, or desktop software like Adobe Acrobat to compress PDF files without significant quality loss. Compression reduces the file size, making it easier to share and download. Can I fill out forms in a PDF file? Yes, most PDF viewers/editors like Adobe Acrobat, Preview (on Mac), or various online tools allow you to fill out forms in PDF files by selecting text fields and entering information. Are there any restrictions when working with PDFs? Some PDFs might have restrictions set by their creator, such as password protection, editing restrictions, or print restrictions. Breaking these restrictions might require specific software or tools, which may or may not be legal depending on the circumstances and local laws.

### **Find Wiring Diagram For 2000 Polaris 335 Sportsman :**

[robot coupe blixer3 food processors owners manual](#)

[rolls royce shop manual](#)

**rock my body black falcon black falcon series english edition**

[rock ola jukebox manual 1493](#)

[robert j barro macroeconomics 5th edition](#)

*rohs and weee for dummies r*

**robin hood the just**

**rohan predator guide**

[rock ola 1452](#)

[rocky top banjo tab](#)

*robertson ap45 manual*

**rocky and carlos mac and cheese recipe**

*rolls royce silver spur iii owners manual*

[rolls royce silver seraph manual](#)

**rockin body nutrition guide**

### **Wiring Diagram For 2000 Polaris 335 Sportsman :**

*2007 mitsubishi galant workshop manual circuit diagrams - May 01 2022*

web 2007 mitsubishi galant workshop manual circuit diagrams these manuals are used by mitsubishi repair mechanics they



contain very detailed diagrams and descriptions the manuals give comprehensive information on your parts for mitsubishi and much more engine 4g69 2 4l 6g75 3 8l transaxle f4a4b 4a t f5a5a 5a t contents

[2007 mitsubishi galant user manuals repair guides fixya](#) - Jan 09 2023

web browse 2007 mitsubishi galant owner s manuals user guides instructional help documents operating information to learn more about your product

[mitsubishi galant workshop manual pdf download manualslib](#) - Dec 08 2022

web 1 2 page of 2 bookmarks advertisement download this manual enlarged version workshop manual foreword this workshop manual contains procedures for service mechanics including removal disassembly inspection adjustment installation use the combination with this manual as required technical information manual

[mitsubishi galant free workshop and repair manuals](#) - Mar 11 2023

web mitsubishi galant workshop repair and owners manuals for all years and models free pdf download for thousands of cars and trucks

[mitsubishi galant repair service manuals 28 pdf s](#) - Jun 14 2023

web mitsubishi galant service manual for roadside repairs mitsubishi galant owners manual covering weekly checks mitsubishi galant workshop manual covering lubricants fluids and tyre pressures mitsubishi galant service

[2007 mitsubishi galant auto repair manuals](#) - Jul 03 2022

web 2007 mitsubishi mitsubishi galant auto repair manuals and service manuals all makes and models 100 free online electrical wiring diagrams engine and transmission rebuild manuals car manuals auto repair manuals

**2007 mitsubishi galant repair manuals carid com** - Mar 31 2022

web service your 2007 mitsubishi galant easier with our repair manuals available in print and electronic formats and loaded with detailed illustrations

**2007 mitsubishi galant problems and complaints 14 issues** - Dec 28 2021

web our list of 14 known complaints reported by owners can help you fix your 2007 mitsubishi galant close problems mitsubishi galant 2007 2007 mitsubishi galant problems find the most common issues based on car owner complaints find 2007 mitsubishi galant recalls 2007 mitsubishi galant owner reviews research a car 2007 mitsubishi

**workshop manual mitsubishi galant 2007 Carsoftos com** - Jun 02 2022

web may 9 2022 maintenance and repair manual for a 2007 mitsubishi galant year of publication 2006 format pdf [owner s manual mitsubishi motors us](#) - Jul 15 2023

web my mitsubishi store owner s manual to view your owner s manual and other owner s portal content click this link and follow the instructions to log into or set up your owner s portal suvs crossovers outlander eclipse cross outlander sport all

vehicles mirage mirage g4 up to speed eclipse car history lancer

**[mitsubishi galant owner s and service manuals online](#)** - Apr 12 2023

web mitsubishi galant owner s manuals and service manuals for online browsing and download search through 1133 mitsubishi manuals online for free carmanualsonline info is the largest free online database of mitsubishi user manuals

**[2007 mitsubishi galant service repair manual](#)** - Oct 06 2022

web this is the complete official service and repair manual for the mitsubishi galant production model years 2007 it covers every single detail on your car all models and all engines are included this manual contains everything you will need to repair maintain rebuild refurbish or restore your car all diagnostic and repair procedures are

**[mitsubishi galant 2007 service repair manuals pdf](#)** - Aug 04 2022

web mitsubishi galant 2007 service repair manuals pdf changing spark plugs brake fluids oil changes engine rebuilds electrical faults and much more detailed illustrations

**[2007 mitsubishi galant service repair manual issuu](#)** - Feb 27 2022

web aug 5 2013 this is a complete repair manual service manual for 2007 mitsubishi galant it covers every single detail on your car all models and all engines are included this manual is the

**[2007 mitsubishi galant repair manual online](#)** - Nov 07 2022

web get detailed instructions illustrations wiring schematics diagnostic codes more for your 2007 mitsubishi galant step by step instructions service repair instructions specific to your 2007 mitsubishi galant

**[mitsubishi galant 2007 service repair manuals pdf download](#)** - Jan 29 2022

web this mitsubishi galant 2007 service repair manuals pdf download provides detailed instructions and illustrations on how to repair service and maintain your vehicle it includes unlimited copies and can be viewed on mobile phones tablets computers and more

**[mitsubishi galant pdf workshop and repair manuals](#)** - Feb 10 2023

web mitsubishi galant 2001 workshop manual supplement rar 16mb download mitsubishi galant 2007 supplement for russia and ukraine pdf 51 6kb download mitsubishi galant 2010 owners manual pdf 61 8mb download mitsubishi galant 2011 owners manual pdf 61 8mb download mitsubishi galant 2012 owners manual pdf 61 8mb

**[mitsubishi galant owner s manual pdf download manualslib](#)** - Aug 16 2023

web view and download mitsubishi galant owner s manual online galant automobile pdf manual download

**[mitsubishi galant 2004 2007 workshop manual](#)** - May 13 2023

web workshop repair manuals for repair maintenance and operation of mitsubishi galant 2004 2007 cars with left hand and right hand drive steering equipped with gdi 4g93 gasoline engines 1 8 l 4g94 2 0 l 4g64 2 4 l and petrol engines mpi 4g63 2 0

l 4g64 2 4 l 6a12 v6 2 0 l and 6a13 v6 2 5 l

**2007 mitsubishi galant service repair manuals pdf download** - Sep 05 2022

web motor era has the best selection of service repair manuals for your 2007 mitsubishi galant download your manual now money back guarantee 2007 mitsubishi galant service repair manuals

*werde eins mit der natur lerne die sprache der tiere und* - Jun 21 2022

web werde eins mit der natur lerne die sprache der tiere und pflanzen by tamarack song lerne dich von der spirale des lebens tragen zu lassen die ganz von selbst zur quelle allen seins zurückfließt

**werde eins mit der natur lerne die sprache der ti pdf** - Mar 19 2022

web der natur das buch von geistlicher armuth meister eckhart der mystiker literatur und anzeigeblatt für das baufach akten der lebendige marxismus werde eins mit der natur lerne die sprache der tiere und pflanzen die erde die pflanzen und der mensch naturschilderungen aus dem dänischen unter mitwirkung des verfassers von h zeise

werde eins mit der natur lerne die sprache der tiere und - Nov 26 2022

web werde eins mit der natur lerne die sprache der tiere und eins werden mit translation from german into english pons eins werden mit t umaczenie niemiecki angielski pons werde eins mit der natur von tamarack song bücher orell werde eins mit der natur lerne die ab 14 99 carina solöga högman die sprache der pflanzen ebay werde

werde eins mit der natur lerne die sprache der ti pdf - Feb 15 2022

web werde eins mit der natur lerne die sprache der ti downloaded from confrencemeet com by guest benjamin grant selbst oder subjekt edwin mellen press für die menschen des westens ist der zugang zu den geheimnissen der natur mit dem aufkommen der modernen naturwissenschaft weitgehend verloren gegangen alles

**werde eins mit der natur lerne die sprache der ti** - Mar 31 2023

web werde eins mit der natur lerne die sprache der ti die sprache der zeitzer kanzleien im 16 mar 09 2021 die sprache der meder apr 02 2023 versuch über die sprache der uden aus den memoires de l acad imperiale des sciences de st petersb 7

**werde eins mit der natur lerne die sprache der ti full pdf** - Apr 19 2022

web werde eins mit der natur lerne die sprache der ti eins werden mit der natur hermes oder kritisches jahrbuch der literatur werde eins mit der natur lerne die sprache der tiere und pflanzen lothar schreyer edition 3 theateraufsätze actes du xve congrès de philosophie ueber den verfall der naturwissenschaft und schulbelehrung die daher

*werde eins mit der natur lerne die sprache der ti pdf pdf* - Jan 29 2023

web werde eins mit der natur lerne die sprache der ti pdf introduction werde eins mit der natur lerne die sprache der ti pdf pdf studium universale das ist alles das jenige so von anfang der welt biss an das ende je gelebet geschrieben gelesen oder gelernet werden möchte valentin weigel 1618 die realien in der volkschule

**werde eins mit der natur lerne die sprache der tiere und pflanzen** - Jul 03 2023

web für die menschen des westens ist der zugang zu den geheimnissen der natur mit dem aufkommen der modernen naturwissenschaft weitgehend verloren gegangen alles wird gemessen und untersucht um auf seinen nutzen überprüft zu werden die idee von schöpfung oder gar von einer alles durchdringenden welt

**werde eins mit der natur lerne die sprache der ti 2023** - Jul 23 2022

web werde eins mit der natur lerne die sprache der ti das buch von geistlicher armuth Österreich als naturforderung theateraufsätze ueber den verfall der naturwissenschaft und schulbelehrung die daher entstehenden höchst verderblichen folgen etc zunächst für mecklenburg natur ethik

werde eins mit der natur lerne die sprache der ti pdf - Oct 06 2023

web right here we have countless books werde eins mit der natur lerne die sprache der ti and collections to check out we additionally meet the expense of variant types and after that type of the books to browse

**werde eins mit der natur lerne die sprache der ti pdf vod** - May 01 2023

web deutsche monatschrift für das gesamte leben der gegenwart johannes scotus erigena beiträge zur natur und heilkunde bdch 1 2 die christliche lehre von der dreieinigkeit und menschwerdung gottes in ihrer geschichtlichen werde eins mit der natur lerne die sprache der ti downloaded from vod transcode uat mediacp net by guest jordan

downloadable free pdfs werde eins mit der natur lerne die sprache der ti - Oct 26 2022

web werde eins mit der natur lerne die sprache der ti humboldt dec 15 2020 die realien in der volkschule ziel umfang und methode des realistischen unterrichts etc jul 14 2023 diderot s leben und werke apr 11 2023 schmidt s jahrbuecher feb 14 2021 kant und das problem der analogie jul 02 2022

werde eins mit der natur lerne die sprache der tiere und - Feb 27 2023

web werde eins mit der natur lerne die sprache der tiere und pflanzen song tamarack amazon de books skip to main content de hello select your address books en

*werde eins mit der natur lerne die sprache der ti download* - Dec 28 2022

web für die menschen des westens ist der zugang zu den geheimnissen der natur mit dem aufkommen der modernen naturwissenschaft weitgehend verloren gegangen alles wird gemessen und

**werde eins mit der natur lerne die sprache der ti ci kubesail** - May 21 2022

web eins werden eins sein ueber den verfall der naturwissenschaft und schulbelehrung die daher entstehenden höchst verderblichen folgen etc zunächst für mecklenburg

**natur für kinder erste worte vorschul lernen microsoft com** - Aug 24 2022

web offizieller club usk ab 0 jahren natur für kinder aus der deutsche worte für kinder ist ein spiel welches die entwicklung

von kindern zwischen zwei und vier jahren unterstützt zusammen mit ihrem kind können sie traumhafte bilder von objekten in der natur und naturerscheinungen jahreszeiten früchte und gemüse beeren

**werde eins mit der natur lerne die sprache der tiere und pflanzen** - Aug 04 2023

web kindle ausgabe gebundenes buch 15 26 für die menschen des westens ist der zugang zu den geheimnissen der natur mit dem aufkommen der modernen naturwissenschaft weitgehend verloren gegangen alles wird gemessen und untersucht um auf seinen nutzen überprüft zu werden

**werde eins mit der natur lerne die sprache der tiere und pflanzen** - Sep 05 2023

web werde eins mit der natur lerne die sprache der tiere und pflanzen song tamarack isbn 9783861911104 kostenloser versand für alle bücher mit versand und verkauf duch amazon

werde eins mit der natur lerne die sprache der ti pdf election tv - Sep 24 2022

web list of file werde eins mit der natur lerne die sprache der ti page title 1 kurzgefasstes wörterbuch der hauptschwierigkeiten in der deutschen sprache 2 vollständiges wörterbuch der englischen sprache für die deutschen 3 die edda eine sammlung altnordischer götter und heldenlieder urschrift mit erklärenden anmerkungen

**werde eins mit der natur lerne die sprache der tiere und** - Jun 02 2023

web für die menschen des westens ist der zugang zu den geheimnissen der natur mit dem aufkommen der modernen naturwissenschaft weitgehend verloren gegangen alles wird gemessen und

**penerapan model pembelajaran jigsaw untuk semantic scholar** - Oct 12 2021

web mar 8 2022 menurut rusman 2011 metode jigsaw adalah sebuah model belajar kooperatif yang menitik beratkan pada kerja kelompok peserta didik dalam bentuk

**pengaruh pembelajaran kooperatif tipe jigsaw** - Oct 24 2022

web abstract penelitian ini bertujuan untuk 1 menganalisis peningkatan kemampuan penalaran matematis siswa smp yang memperoleh model pembelajaran kooperatif tipe jigsaw

*pembelajaran kooperatif tipe jigsaw dalam pembelajaran* - May 31 2023

web tentang model pembelajaran kooperatif tipe jigsaw untuk meningkatkan hasil belajar matematika siswa dari penelitian penelitian sebelumnya langkah pertama dalam

model pembelajaran kooperatif tipe jigsaw untuk meningkatkan - Aug 02 2023

berdasarkan konsepnya yang akan membuat siswa bertanggung jawab terhadap diri sendiri dan kelompoknya serta harus mampu menjadi delegasi dan see more

**pdf penerapan cooperative learning tipe jigsaw untuk** - Aug 22 2022

web oct 19 2023 this research aims to find out the effect of jigsaw type of cooperative learning on increasing the self

confidence of the fifth grade blind students at slb a

peningkatan hasil belajar fisika siswa dengan model - Aug 10 2021

web aug 25 2023 penerapan pendekatan saintifik untuk meningkatkan pemahaman konsep materi ipa siswa sekolah dasar dendi ahmad ardaya

pdf penerapan model kooperatif tipe jigsaw - Mar 29 2023

web mar 14 2021 pembelajaran kooperatif tipe jigsaw terdapat kelompok asal yang heterogen dan kemudian dibentuk kelompok ahli untuk menjadikan siswa siswa ahli

**penerapan model kooperatif tipe jigsaw untuk** - Sep 10 2021

web pembelajaran kooperatif tipe nbsp jigsaw adalah suatu metode pembelajaran yang didasarkan pada bentuk struktur multifungsi kelompok belajar yang dapat digunakan

**pendekatan kooperatif tipe jigsaw cyberlab sutd edu sg** - Feb 25 2023

web apr 20 2022 the results showed that there was an increase in cooperation and student learning achievement it can be seen from the increase from cycle to cycle the

**penerapan model pembelajaran kooperatif tipe** - Nov 24 2022

web the results show that 1 the students are active in having cooperative learning of jigsaw type through problem giving approach 2 the teacher s activity in cooperative learning of

**pembelajaran kooperatif tipe jigsaw neliti** - Jul 01 2023

web jan 11 2023 model pembelajaran jigsaw adalah suatu variasi model pembelajaran kooperatif yang terdiri dari beberapa anggota dalam satu kelompok yang bertanggung

model pembelajaran tipe jigsaw kajianpustaka - Dec 14 2021

web kooperatif tipe jigsaw dapat meningkatkan tanggung jawab siswa 2 penerapan model pembelajaran kooperatif tipe jigsaw dapat meningkatkan prestasi belajar siswa pada

**contoh rpp model kooperatif learning tipe jigsaw** - Jun 07 2021

web nov 3 2023 this study aims to determine the improvement of student learning outcomes by using the jigsaw type cooperative learning model the sample of this study were

*pengertian model pembelajaran jigsaw beserta tujuan ciri* - Sep 03 2023

cara terbaik untuk memahami model pembelajaran kooperatif tipe jigsaw adalah dengan mengetahui langsung bagaimana sintaks serta langkah atau see more

*penerapan pendekatan cooperative learning tipe* - Sep 22 2022

web pembelajaran kooperatif tipe jigsaw adalah pembelajaran yang menitikberatkan pada diskusi oleh kelompok ahli dan

kelompok asal diskusi yang dilakukan oleh siswa

**penerapan model pembelajaran kooperatif tipe** - Jan 15 2022

web oct 30 2023 hasil penelitian menunjukkan bahwa 1 terdapat pengaruh model kooperatif tipe jigsaw terhadap keaktifan peserta didik hal ini menunjukkan keaktifan yang tergolong

*bab ii kajian pustaka 2 1 cooperative learning tipe jigsaw* - Apr 17 2022

web sep 5 2019 perbedaan model kooperatif jigsaw group kooperatif merupakan suatu pendekatan keterlaksanaan pembelajaran menggunakan model

**model pembelajaran kooperatif tipe jigsaw fatkhan web id** - Jul 09 2021

web penerapan model kooperatif tipe jigsaw untuk meningkatkan keaktifan dan hasil belajar siswa pada mata pelajaran keselamatan

**penerapan model pembelajaran cooperative tipe** - May 19 2022

web 2 1 pengertian kooperatif tipe jigsaw pembelajaran model kooperatif tipe jigsaw merupakan salah satu pembelajaran kooperatif yang diterapkan untuk menghadapi

**penerapan model cooperative learning tipe** - Feb 13 2022

web 2 1 model pembelajaran cooperative learning tipe jigsaw 2 1 1 pengertian model pembelajaran model pembelajaran merupakan suatu rencana atau pola yang

*bab ii tinjauan pustaka 2 1 pengertian kooperatif tipe jigsaw* - Jul 21 2022

web aug 25 2022 penerapan pendekatan cooperative learning tipe jigsaw untuk meningkatkan aktivitas dan hasil belajar siswa di sdn 001 kempas jaya august 2022

**pembelajaran kooperatif tipe jigsaw neliti** - Nov 12 2021

web penelitian ini bertujuan untuk mengukur efektivitas pembelajaran kooperatif tipe jigsaw dalam mengembangkan keterampilan sosial dan kemampuan adaptasi siswa kelas 5

**pdf pengaruh model kooperatif tipe jigsaw terhadap** - Mar 17 2022

web nov 13 2022 penerapan model pembelajaran kooperatif tipe jigsaw dalam meningkatkan minat belajar ilmu pengetahuan alam pokok bahasan pengaruh gaya

**model pembelajaran jigsaw cooperative learning yang inovatif** - Oct 04 2023

pembelajaran kooperatif tipe jigsaw merupakan model pembelajaran yang membagi siswa ke dalam beberapa kelompok lalu secara sistematis memecah kembali kelompok tersebut untuk berdiskusi dengan anggota kelompok lain dalam suatu bagian materi dan kelompok khusus untuk see more

soal tryout pppk guru 2023 kompetensi teknis yang diprediksi - May 07 2021

web feb 19 2017 model pembelajaran kooperatif tipe jigsaw teknik mengajar jigsaw dikembangkan dan diuji oleh elliot arronson dan rekan rekannya di universitas texas

*pembelajaran kooperatif tipe jigsaw dengan pendekatan neliti - Jan 27 2023*

web feb 8 2021 tujuan penelitian ini adalah menganalisis seberapa besar pengaruh model pembelajaran kooperatif tipe jigsaw dari penelitian eksperimen yang dipublikasikan

penerapan model pembelajaran kooperatif tipe - Apr 29 2023

web pembelajaran kooperatif tipe jigsaw adalah suatu metode pembelajaran yang didasarkan pada bentuk struktur multi fungsi kelompok belajar yang dapat digunakan pada semua

*penerapan model pembelajaran kooperatif tipe - Dec 26 2022*

web pendekatan strategi dan model pembelajaran kooperatif dengan adanya buku ini diharapkan dapat membantu para mahasiswa guru peneliti dan dosen bidang

*pdf perbedaan model kooperatif jigsaw group - Jun 19 2022*

web oct 11 2023 dengan langkah langkah pembelajaran model jigsaw yang dikemukakan oleh lie yaitu 1 menyampaikan tujuan dan memotivasi siswa 2 menyampaikan