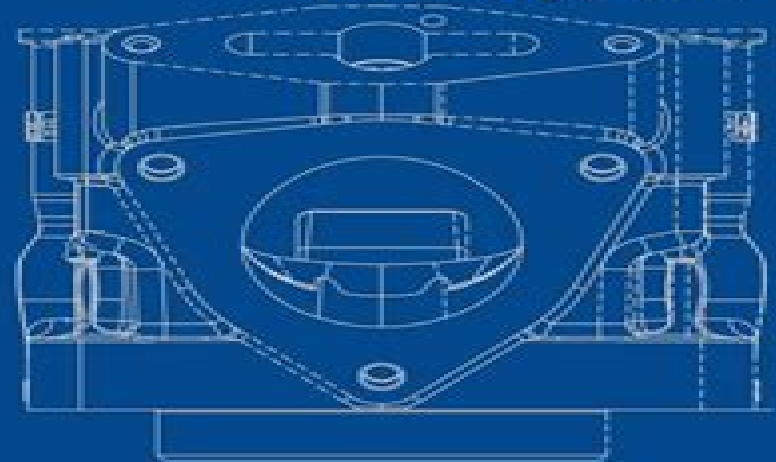
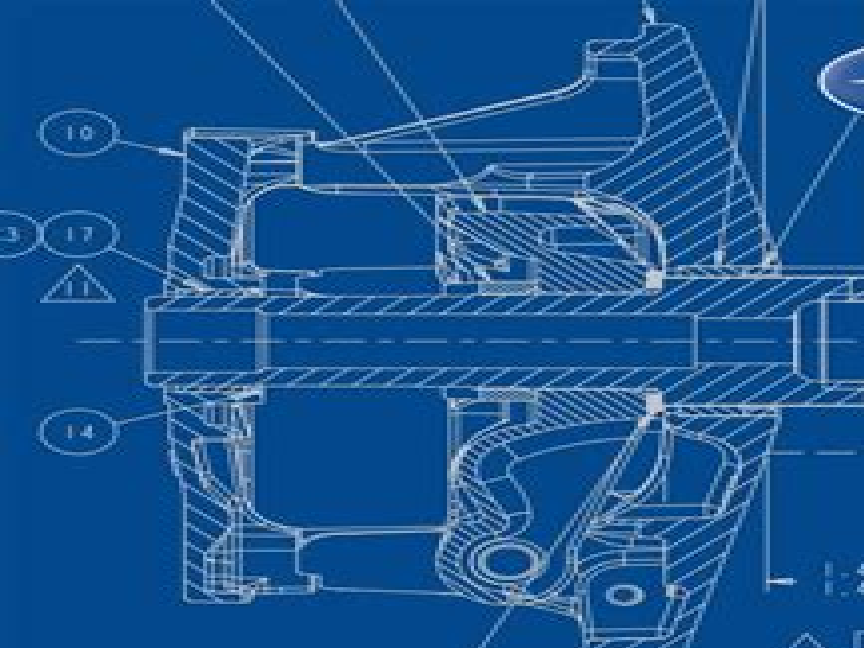




**POLARIS**  
The Way Out.



# 2005 DEEP SNOW SERVICE MANUAL

TRAIL RMK  
600 RMK  
700 RMK  
800 RMK  
900 RMK

600 SWITCHBACK™  
800 SWITCHBACK™

PN 9919302

# Polaris 700 Rmk Manual

**Toyota Motor Sales Co. Export-  
Technical Department, Toyota Motor  
Sales Co., Ltd. Export-Technical  
Division**

## **Polaris 700 Rmk Manual:**

Polaris Sportsman 600, 700, & 800 Series 2002-2010 Penton Staff,2000-05-24 Sportsman 600 2003 2005 Sportsman 700 2002 2006 Sportsman 700 EFI 2004 2007 Sportsman 700 EFI X2 2008 Sportsman MV7 2005 2006 Sportsman 800 EFI 2005 2010 Sportsman 800 EFI X2 2007 2009 Sportsman 800 EFI Touring 2008 2009 **Clymer Polaris Ranger 800, 2010-2014** Haynes Publishing,2017-10-25 The Clymer Polaris Ranger 800 2010 2014 Repair Manual features complete maintenance and repair information for the Polaris RZR 800 built during model years 2008 2014 More than 700 Photos guide the reader through every job Where possible tools developed by the writers during the disassembly and reassembly of the machine are described in the text to save the reader from spending hundreds of dollars on factory tools Each manual features quick reference data plus chapters on Troubleshooting Lubrication maintenance and tune up Engine top end Engine lower end Clutch and drivebelt system Transmission Engine management system Electrical system Cooling system Wheels hubs and tires Front suspension steering and front gearcase Rear suspension and rear gearcase Brakes Body Wiring diagrams

**Polaris ATV Owners Workshop Manual** Alan Ahlstrand,John Harold Haynes,2004 The purpose of this manual is to help you get the best value from your ATV It can help you decide what work must be done even if you choose to have it done by a dealer service department or a repair shop it provides information and procedures for routine maintenance and servicing and it offers diagnostic and repair procedures to follow when trouble occurs This book should allow you to tackle any job yourself nbs **Subaru 700 Sedan Series** ,1982 Clymer Polaris RZR 800 2008-2014 Haynes Publishing,2017-10-21 The Polaris RZR 800 off road vehicles are very popular and built with precision engineering to ensure a long life With the help of the Clymer Polaris RZR 800 2008 2014 Repair Manual in your toolbox you will be able to maintain service and repair your RZR 800 to extend the life of your machine for years to come Clymer manuals are very well known for their thorough and comprehensive nature This manual is loaded with step by step procedures along with detailed photography exploded views charts and diagrams to enhance the steps associated with a service or repair task This Clymer manual is organized by subsystem with procedures grouped together for specific topics such as front suspension brake system engine and transmission It includes color wiring diagrams The language used in this Clymer repair manual is targeted toward the novice mechanic but is also very valuable for the experienced mechanic The service manual by Clymer is an authoritative piece of DIY literature and should provide you the confidence you need to get the job done and save money too **Polaris Sportsman 400, 450 & 500 1996-2013 Manual** Penton Staff,2000-05-24 Sportman 400 2001 2005 Sportsman 450 2006 2007 Sportsman 450 Browning Edition 2006 Sportsman 500 1996 2010 Sportsman 500 RSE 2000 2002 Sportsman 500 DUSE 2001 2002 Sportsman 500 HO 2001 2006 2008 2010 Sportsman 500 X2 2006 2010 Sp *AMC/Jeep Service Manual* American Motors Corporation,1983 Yamaha ATVs Raptor 660 and 700 Editors of Haynes Manuals,2012-11-01 With a Haynes manual you can do it yourself from simple maintenance to basic repairs Haynes writes every book based on a

complete teardown of the ATV We learn the best ways to do a job and that makes it quicker easier and cheaper for you Our books have clear instructions and hundreds of photographs that show each step Whether you re a beginner or a pro you can save big with Haynes Step by step procedures Easy to follow photos Comprehensive routine maintenance and fault diagnosis sections Detailed wiring diagrams Color spark plug diagnosis Complete coverage for your Yamaha Raptor 660 for 2001 thru 2005 and Raptor 700 for 2006 thru 2012 ATVs Routine Maintenance Tune up procedures Engine clutch and transmission repair Cooling system Fuel and exhaust Ignition and electrical systems Brakes wheels and tires Steering suspension and final drive Frame and bodywork Wiring diagrams      **Polaris ATVs 250-800cc, '98-'07** Alan Ahlstrand, Ken Freund, 2018-05-01 Each Haynes manual provides specific and detailed instructions for performing everything from basic maintenance and troubleshooting to a complete overhaul of the machine in this case the Polaris ATVs 250 800cc model years 1998 through 2007 Do it yourselfers will find this service and repair manual more comprehensive than the factory manual making it an indispensable part of their tool box A typical Haynes manual covers general information troubleshooting lubrication and routine maintenance engine top end engine lower end primary drive clutch and external shift mechanism transmission and internal shift mechanism engine management system electrical system wheels tires and drivebelt front suspension and steering rear suspension brakes body and color wiring diagrams An index makes the manual easy to navigate      **Kawasaki Vulcan 700 (1985), Vulcan 750 (85-06), Vulcan 800 (95-05), Vulcan 800 Classic (96-02) & Vulcan 600 Drifter (99-06)** Haynes Publishing, 2017-09-01 Complete coverage of your Kawasaki Vulcan 700 750 800 85 06      **700 A/B Reference Manual** ,1970      **Toyota 700 Repair Manual** Toyota Motor Sales Co. Export-Technical Department, Toyota Motor Sales Co., Ltd. Export-Technical Division, 1964

Ignite the flame of optimism with its motivational masterpiece, Find Positivity in **Polaris 700 Rmk Manual** . In a downloadable PDF format ( \*), this ebook is a beacon of encouragement. Download now and let the words propel you towards a brighter, more motivated tomorrow.

[https://hersolutiongelbuy.com/public/Resources/Documents/Tite\\_Et\\_Beacutereacutenice.pdf](https://hersolutiongelbuy.com/public/Resources/Documents/Tite_Et_Beacutereacutenice.pdf)

## **Table of Contents Polaris 700 Rmk Manual**

1. Understanding the eBook Polaris 700 Rmk Manual
  - The Rise of Digital Reading Polaris 700 Rmk Manual
  - Advantages of eBooks Over Traditional Books
2. Identifying Polaris 700 Rmk Manual
  - Exploring Different Genres
  - Considering Fiction vs. Non-Fiction
  - Determining Your Reading Goals
3. Choosing the Right eBook Platform
  - Popular eBook Platforms
  - Features to Look for in an Polaris 700 Rmk Manual
  - User-Friendly Interface
4. Exploring eBook Recommendations from Polaris 700 Rmk Manual
  - Personalized Recommendations
  - Polaris 700 Rmk Manual User Reviews and Ratings
  - Polaris 700 Rmk Manual and Bestseller Lists
5. Accessing Polaris 700 Rmk Manual Free and Paid eBooks
  - Polaris 700 Rmk Manual Public Domain eBooks
  - Polaris 700 Rmk Manual eBook Subscription Services
  - Polaris 700 Rmk Manual Budget-Friendly Options
6. Navigating Polaris 700 Rmk Manual eBook Formats

- ePub, PDF, MOBI, and More
  - Polaris 700 Rmk Manual Compatibility with Devices
  - Polaris 700 Rmk Manual Enhanced eBook Features
7. Enhancing Your Reading Experience
    - Adjustable Fonts and Text Sizes of Polaris 700 Rmk Manual
    - Highlighting and Note-Taking Polaris 700 Rmk Manual
    - Interactive Elements Polaris 700 Rmk Manual
  8. Staying Engaged with Polaris 700 Rmk Manual
    - Joining Online Reading Communities
    - Participating in Virtual Book Clubs
    - Following Authors and Publishers Polaris 700 Rmk Manual
  9. Balancing eBooks and Physical Books Polaris 700 Rmk Manual
    - Benefits of a Digital Library
    - Creating a Diverse Reading Collection Polaris 700 Rmk Manual
  10. Overcoming Reading Challenges
    - Dealing with Digital Eye Strain
    - Minimizing Distractions
    - Managing Screen Time
  11. Cultivating a Reading Routine Polaris 700 Rmk Manual
    - Setting Reading Goals Polaris 700 Rmk Manual
    - Carving Out Dedicated Reading Time
  12. Sourcing Reliable Information of Polaris 700 Rmk Manual
    - Fact-Checking eBook Content of Polaris 700 Rmk Manual
    - Distinguishing Credible Sources
  13. Promoting Lifelong Learning
    - Utilizing eBooks for Skill Development
    - Exploring Educational eBooks
  14. Embracing eBook Trends
    - Integration of Multimedia Elements
    - Interactive and Gamified eBooks

## **Polaris 700 Rmk Manual Introduction**

In this digital age, the convenience of accessing information at our fingertips has become a necessity. Whether its research papers, eBooks, or user manuals, PDF files have become the preferred format for sharing and reading documents. However, the cost associated with purchasing PDF files can sometimes be a barrier for many individuals and organizations. Thankfully, there are numerous websites and platforms that allow users to download free PDF files legally. In this article, we will explore some of the best platforms to download free PDFs. One of the most popular platforms to download free PDF files is Project Gutenberg. This online library offers over 60,000 free eBooks that are in the public domain. From classic literature to historical documents, Project Gutenberg provides a wide range of PDF files that can be downloaded and enjoyed on various devices. The website is user-friendly and allows users to search for specific titles or browse through different categories. Another reliable platform for downloading Polaris 700 Rmk Manual free PDF files is Open Library. With its vast collection of over 1 million eBooks, Open Library has something for every reader. The website offers a seamless experience by providing options to borrow or download PDF files. Users simply need to create a free account to access this treasure trove of knowledge. Open Library also allows users to contribute by uploading and sharing their own PDF files, making it a collaborative platform for book enthusiasts. For those interested in academic resources, there are websites dedicated to providing free PDFs of research papers and scientific articles. One such website is Academia.edu, which allows researchers and scholars to share their work with a global audience. Users can download PDF files of research papers, theses, and dissertations covering a wide range of subjects. Academia.edu also provides a platform for discussions and networking within the academic community. When it comes to downloading Polaris 700 Rmk Manual free PDF files of magazines, brochures, and catalogs, Issuu is a popular choice. This digital publishing platform hosts a vast collection of publications from around the world. Users can search for specific titles or explore various categories and genres. Issuu offers a seamless reading experience with its user-friendly interface and allows users to download PDF files for offline reading. Apart from dedicated platforms, search engines also play a crucial role in finding free PDF files. Google, for instance, has an advanced search feature that allows users to filter results by file type. By specifying the file type as "PDF," users can find websites that offer free PDF downloads on a specific topic. While downloading Polaris 700 Rmk Manual free PDF files is convenient, its important to note that copyright laws must be respected. Always ensure that the PDF files you download are legally available for free. Many authors and publishers voluntarily provide free PDF versions of their work, but its essential to be cautious and verify the authenticity of the source before downloading Polaris 700 Rmk Manual. In conclusion, the internet offers numerous platforms and websites that allow users to download free PDF files legally. Whether its classic literature, research papers, or magazines, there is something for everyone. The platforms mentioned in this article, such as Project Gutenberg, Open Library, Academia.edu, and Issuu, provide access to a vast collection of PDF files. However, users should always be cautious

and verify the legality of the source before downloading Polaris 700 Rmk Manual any PDF files. With these platforms, the world of PDF downloads is just a click away.

### **FAQs About Polaris 700 Rmk Manual Books**

1. Where can I buy Polaris 700 Rmk Manual books? Bookstores: Physical bookstores like Barnes & Noble, Waterstones, and independent local stores. Online Retailers: Amazon, Book Depository, and various online bookstores offer a wide range of books in physical and digital formats.
2. What are the different book formats available? Hardcover: Sturdy and durable, usually more expensive. Paperback: Cheaper, lighter, and more portable than hardcovers. E-books: Digital books available for e-readers like Kindle or software like Apple Books, Kindle, and Google Play Books.
3. How do I choose a Polaris 700 Rmk Manual book to read? Genres: Consider the genre you enjoy (fiction, non-fiction, mystery, sci-fi, etc.). Recommendations: Ask friends, join book clubs, or explore online reviews and recommendations. Author: If you like a particular author, you might enjoy more of their work.
4. How do I take care of Polaris 700 Rmk Manual books? Storage: Keep them away from direct sunlight and in a dry environment. Handling: Avoid folding pages, use bookmarks, and handle them with clean hands. Cleaning: Gently dust the covers and pages occasionally.
5. Can I borrow books without buying them? Public Libraries: Local libraries offer a wide range of books for borrowing. Book Swaps: Community book exchanges or online platforms where people exchange books.
6. How can I track my reading progress or manage my book collection? Book Tracking Apps: Goodreads, LibraryThing, and Book Catalogue are popular apps for tracking your reading progress and managing book collections. Spreadsheets: You can create your own spreadsheet to track books read, ratings, and other details.
7. What are Polaris 700 Rmk Manual audiobooks, and where can I find them? Audiobooks: Audio recordings of books, perfect for listening while commuting or multitasking. Platforms: Audible, LibriVox, and Google Play Books offer a wide selection of audiobooks.
8. How do I support authors or the book industry? Buy Books: Purchase books from authors or independent bookstores. Reviews: Leave reviews on platforms like Goodreads or Amazon. Promotion: Share your favorite books on social media or recommend them to friends.
9. Are there book clubs or reading communities I can join? Local Clubs: Check for local book clubs in libraries or



community centers. Online Communities: Platforms like Goodreads have virtual book clubs and discussion groups.

10. Can I read Polaris 700 Rmk Manual books for free? Public Domain Books: Many classic books are available for free as they're in the public domain. Free E-books: Some websites offer free e-books legally, like Project Gutenberg or Open Library.

### **Find Polaris 700 Rmk Manual :**

[tite et beacutereacutenice](#)

[timing diagram for 1997 nissan td27 diesel engine](#)

[titine au bistrot tome deacutelire total](#)

[timoshenko solution manual](#)

[time warner service number](#)

[timetable for maneb](#)

**tivo series 2 owners manual**

[title page of a book report](#)

[timeout guide to new york](#)

**time s potential power thoughts 136**

**timberjack manual 1210b**

[tissot t461 user manual](#)

[timing belt guide mini cooper 2002](#)

**tire repair kit instructions**

[tire repair cost at walmart](#)

### **Polaris 700 Rmk Manual :**

Les Secrets de la casserole by This, Herve This is a great book for cooks, and for chemists. It explains the science of cooking in layman's terms, with the focus on French style cooking, and does so ... Amazon.com: Les secrets de la casserole: nouvelle édition Amazon.com: Les secrets de la casserole: nouvelle édition: 9782701149745: This, Hervé: Books. Les Secrets de la casserole - This, Herve: 9782701115856 Les Secrets de la casserole - Hardcover. This, Herve. 3.75 avg rating • ( 220 ratings by Goodreads ). View all 32 copies of Les Secrets de la casserole from US ... Les Secrets de la casserole Herve This Author. This, Herve ; Book Title. Les Secrets de la casserole Herve This ; Accurate description. 4.9 ; Reasonable shipping cost. 5.0 ;

Shipping speed. 5.0. Les Secrets de la casserole Herve This Les Secrets de la casserole Herve This ; Item Number. 394996975267 ; Special Attributes. EX-LIBRARY ; Author. This, Herve ; Accurate description. 4.9 ; Reasonable ... Kitchen mysteries : revealing the science of cooking = Les ... Kitchen mysteries : revealing the science of cooking = Les secrets de la casserole ; Authors: Hervé. This, Jody Gladding (Translator) ; Edition: View all formats ... Les Secrets De La Casserole by Herve This-Benckhard Les Secrets De La Casserole by Herve This-Benckhard. Nature; London Vol. 368, Iss. 6472, (Apr 14, 1994): 595. Publisher logo. Links to publisher website ... Les secrets de la casserole. VonH. This. Éditions Bélin, ... by P Weyerstahl · 1996 — Les secrets de la casserole. VonH. This. Éditions Bélin, Paris, 1993. 222 S., geb. 110.00 FF. - ISBN 2-7011-1585-X. Révélation Gastronomiques. VonH. This. Les secrets de la casserole (French Edition) Les secrets de la casserole (French Edition). USD\$26.57. Price when purchased online. Image 1 of Les secrets de la casserole (French Edition). Les secrets de la casserole Nouvelle édition - broché Les secrets de la casserole ont été traduits en allemand, en espagnol, en italien, en japonais, en polonais et en portugais (Brésil) et ont reçu le Prix de l' ... Advanced Mathematics: An Incremental Development Find step-by-step solutions and answers to Advanced Mathematics: An Incremental Development - 9781565770393, as well as thousands of textbooks so you can ... Advanced Math 2e Answer Key & Tests (Saxon... ... Advanced Math 2e Answer Key & Tests (Saxon Advanced Math) (Paperback) - Common · Buy New. \$52.20\$52.20. \$3.99 delivery: Dec 29 - Jan 5. Ships from: BeveledBooks. Saxon Advanced Math - Solutions Manual The Saxon Advanced Math Solutions Manual provides complete, worked out solutions to the Advanced Math textbook and test forms. Recommended for use with the ... Saxon Advanced Math Solutions Manual (2nd edition)\* - Store This manual contain solutions to each problem in the Advanced Mathematics textbooks. Early solutions of problems of a particular type contain every step. Saxon Advanced Math 2ED Answer Keys and Tests Saxon Advanced Math 2ED Answer Keys and Tests · \$45.27 · \$45.27 · \$33.95. Rainbow Savings: \$11.32. saxon advanced math solutions manual Although the Homeschool Kit contains all of the answers, the Solutions Manual contains the answers as well as solution details for each problem. Solutions to ... Saxon Advanced Math Answer Key - Store Answer key to all student textbook problem sets. (This item is included in the Saxon Advanced Math set.) Softcover, 159 pages. Saxon Advanced Math Solutions Manual (2nd edition) Detailed solutions to the problems found in Saxon Advanced Math. This Advanced Mathematics text contains detailed solutions to the problems found in Saxon ... Saxon Advanced Math, Answer Key Booklet & Test Forms Title: Saxon Advanced Math, Answer Key Booklet & Test Forms ; Format: Paperback ; Vendor: Saxon Publishing ; Publication Date: 1998 ; Dimensions: 8 1/2 X 11 (inches) Saxon Advanced Math, Answer Key Booklet & Test Forms This book of tests accompanies the Saxon Advanced Mathematics curriculum. A testing schedule and optional student answer forms are also included. The Democratic Genre: Fan Fiction in a Literary Context Fandoms as diverse as Jane Austen, Blake's 7, and The Bill are explored in this guide to the cultural phenomenon of fan fiction. The democratic genre : fan fiction in a literary context The democratic genre : fan fiction in a literary context · Genre:

Criticism, interpretation, etc · Physical Description: 282 pages ; 21 cm · ISBN: 9781854113993 ... The Democratic Genre: Fan Fiction in a Literary Context Aug 1, 2006 — Fandoms as diverse as Jane Austen, Blake's 7 , and The Bill are explored in this guide to the cultural phenomenon of fan fiction. Fan Fiction in a Literary Context, p. 219 (via nihilistelektra) Oct 29, 2016 — [QUOTE] From Sheenagh Pugh, The Democratic Genre: Fan Fiction in a Literary Context, p. 219 (via nihilistelektra) ... The kind of literature that ... The Democratic Genre: Fan Fiction in a Literary Context In 'The Democratic Genre' poet Sheenagh Pugh explores fandoms as diverse as Jane Austen, Blake's 7 and The Bill. She discusses fanfic terminology, its ... The Democratic Genre: Fan Fiction in a Literary Context Dec 15, 2008 — This book offers an excellent and sympathetic overview of fan fiction as a literary form. The author uses material from both media and literary ... The Democratic Genre (Fan Fiction in a Literary Context) This book title, The Democratic Genre (Fan Fiction in a Literary Context), ISBN: 9781854113993, by Sheenagh Pugh, published by Seren (August 1, 2006) is ... The Democratic Genre: Fan Fiction in a Literary... Fandoms as diverse as Jane Austen, Blake's 7, and The Bill are explored in this guide to the cultural phenomenon of fan fiction. The Democratic Genre: Fan Fiction In A Literary Context, by ... Oct 6, 2005 — The alternative universe of Elizabeth Bennet, Blake's 7, and Buffy. the democratic genre: fan fiction in a literary context pdf, epub ... Pugh's investigation has deepened my interest in the genre by showing how fanfic can be a literary genre albeit a rather odd one , as surely as the writing of ...