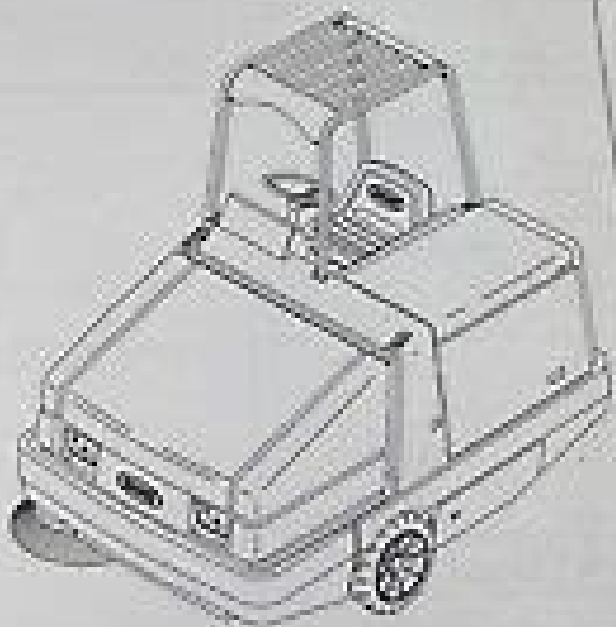


**TENNANT**

**385**

Parts Manual



MN304

# Tennant 385 Sweeper Manual

**EW Minium**



**Tennant 385 Sweeper Manual:**

*Public Works Manual* ,1987    **Thomas Register of American Manufacturers and Thomas Register Catalog File** ,1997 Vols for 1970 71 includes manufacturers catalogs    **Tennant 355/385 Service Manual** Tennant Company,2002  
**Municipal Index and Atlas** ,1962    **Modern Materials Handling** ,1959    Industrial Equipment News ,1975  
**Waste** ,1976    *Public Works* ,1974    **American Export Register** ,1987    **Professional Builder, Apartment Business** ,1982    Plant Engineering ,1960    CCJ. Commercial Car Journal/for Fleet Managment ,1976 Some issues for 1972 for 1972 75 include section The fleet specialist    **The American City & County** ,1982    *Engineering* ,1960  
*Shipbuilding & Shipping Record* ,1956    Volume Feeding Institutions ,1968-04    **Combined Operator's Manual, Maintenance Manual and Spare Parts Catalog for Sweeper, Rotary Broom, Trailer, Mounted, Traction Powered, Two Way Sweeping, Model Tu-way and Brush Filling Machine** ,1943    *Maintenance Manual and Parts Catalogs; Sweeper* M-B Corporation,Ford Motor Company,New Holstein (Wis.),1954    *Sweeper Operation* Canada. Transport Canada. CATA. Airports and Construction Services Directorate. Airport Facilities Branch. Mobile Equipment Division. MDO Training Program,1982    Sweeper Operation Canada. Transport Canada. CATA. Airports and Construction Services Directorate. Airport Facilities Branch. Mobile Equipment Division. MDO Training Program,1982

Discover tales of courage and bravery in Explore Bravery with is empowering ebook, Unleash Courage in **Tennant 385 Sweeper Manual** . In a downloadable PDF format ( \*), this collection inspires and motivates. Download now to witness the indomitable spirit of those who dared to be brave.

[https://hersolutiongelbuy.com/book/uploaded-files/Download\\_PDFS/univesity%20of%20johhanersburg%202015%20applicatio%20form.pdf](https://hersolutiongelbuy.com/book/uploaded-files/Download_PDFS/univesity%20of%20johhanersburg%202015%20applicatio%20form.pdf)

## **Table of Contents Tennant 385 Sweeper Manual**

1. Understanding the eBook Tennant 385 Sweeper Manual
  - The Rise of Digital Reading Tennant 385 Sweeper Manual
  - Advantages of eBooks Over Traditional Books
2. Identifying Tennant 385 Sweeper Manual
  - Exploring Different Genres
  - Considering Fiction vs. Non-Fiction
  - Determining Your Reading Goals
3. Choosing the Right eBook Platform
  - Popular eBook Platforms
  - Features to Look for in an Tennant 385 Sweeper Manual
  - User-Friendly Interface
4. Exploring eBook Recommendations from Tennant 385 Sweeper Manual
  - Personalized Recommendations
  - Tennant 385 Sweeper Manual User Reviews and Ratings
  - Tennant 385 Sweeper Manual and Bestseller Lists
5. Accessing Tennant 385 Sweeper Manual Free and Paid eBooks
  - Tennant 385 Sweeper Manual Public Domain eBooks
  - Tennant 385 Sweeper Manual eBook Subscription Services
  - Tennant 385 Sweeper Manual Budget-Friendly Options

6. Navigating Tennant 385 Sweeper Manual eBook Formats
  - ePub, PDF, MOBI, and More
  - Tennant 385 Sweeper Manual Compatibility with Devices
  - Tennant 385 Sweeper Manual Enhanced eBook Features
7. Enhancing Your Reading Experience
  - Adjustable Fonts and Text Sizes of Tennant 385 Sweeper Manual
  - Highlighting and Note-Taking Tennant 385 Sweeper Manual
  - Interactive Elements Tennant 385 Sweeper Manual
8. Staying Engaged with Tennant 385 Sweeper Manual
  - Joining Online Reading Communities
  - Participating in Virtual Book Clubs
  - Following Authors and Publishers Tennant 385 Sweeper Manual
9. Balancing eBooks and Physical Books Tennant 385 Sweeper Manual
  - Benefits of a Digital Library
  - Creating a Diverse Reading Collection Tennant 385 Sweeper Manual
10. Overcoming Reading Challenges
  - Dealing with Digital Eye Strain
  - Minimizing Distractions
  - Managing Screen Time
11. Cultivating a Reading Routine Tennant 385 Sweeper Manual
  - Setting Reading Goals Tennant 385 Sweeper Manual
  - Carving Out Dedicated Reading Time
12. Sourcing Reliable Information of Tennant 385 Sweeper Manual
  - Fact-Checking eBook Content of Tennant 385 Sweeper Manual
  - Distinguishing Credible Sources
13. Promoting Lifelong Learning
  - Utilizing eBooks for Skill Development
  - Exploring Educational eBooks
14. Embracing eBook Trends
  - Integration of Multimedia Elements

- Interactive and Gamified eBooks

## **Tennant 385 Sweeper Manual Introduction**

In this digital age, the convenience of accessing information at our fingertips has become a necessity. Whether its research papers, eBooks, or user manuals, PDF files have become the preferred format for sharing and reading documents. However, the cost associated with purchasing PDF files can sometimes be a barrier for many individuals and organizations. Thankfully, there are numerous websites and platforms that allow users to download free PDF files legally. In this article, we will explore some of the best platforms to download free PDFs. One of the most popular platforms to download free PDF files is Project Gutenberg. This online library offers over 60,000 free eBooks that are in the public domain. From classic literature to historical documents, Project Gutenberg provides a wide range of PDF files that can be downloaded and enjoyed on various devices. The website is user-friendly and allows users to search for specific titles or browse through different categories. Another reliable platform for downloading Tennant 385 Sweeper Manual free PDF files is Open Library. With its vast collection of over 1 million eBooks, Open Library has something for every reader. The website offers a seamless experience by providing options to borrow or download PDF files. Users simply need to create a free account to access this treasure trove of knowledge. Open Library also allows users to contribute by uploading and sharing their own PDF files, making it a collaborative platform for book enthusiasts. For those interested in academic resources, there are websites dedicated to providing free PDFs of research papers and scientific articles. One such website is Academia.edu, which allows researchers and scholars to share their work with a global audience. Users can download PDF files of research papers, theses, and dissertations covering a wide range of subjects. Academia.edu also provides a platform for discussions and networking within the academic community. When it comes to downloading Tennant 385 Sweeper Manual free PDF files of magazines, brochures, and catalogs, Issuu is a popular choice. This digital publishing platform hosts a vast collection of publications from around the world. Users can search for specific titles or explore various categories and genres. Issuu offers a seamless reading experience with its user-friendly interface and allows users to download PDF files for offline reading. Apart from dedicated platforms, search engines also play a crucial role in finding free PDF files. Google, for instance, has an advanced search feature that allows users to filter results by file type. By specifying the file type as "PDF," users can find websites that offer free PDF downloads on a specific topic. While downloading Tennant 385 Sweeper Manual free PDF files is convenient, its important to note that copyright laws must be respected. Always ensure that the PDF files you download are legally available for free. Many authors and publishers voluntarily provide free PDF versions of their work, but its essential to be cautious and verify the authenticity of the source before downloading Tennant 385 Sweeper Manual. In conclusion, the internet offers numerous platforms and websites that allow users to download free PDF files legally. Whether its classic

literature, research papers, or magazines, there is something for everyone. The platforms mentioned in this article, such as Project Gutenberg, Open Library, Academia.edu, and Issuu, provide access to a vast collection of PDF files. However, users should always be cautious and verify the legality of the source before downloading Tennant 385 Sweeper Manual any PDF files. With these platforms, the world of PDF downloads is just a click away.

### **FAQs About Tennant 385 Sweeper Manual Books**

How do I know which eBook platform is the best for me? Finding the best eBook platform depends on your reading preferences and device compatibility. Research different platforms, read user reviews, and explore their features before making a choice. Are free eBooks of good quality? Yes, many reputable platforms offer high-quality free eBooks, including classics and public domain works. However, make sure to verify the source to ensure the eBook credibility. Can I read eBooks without an eReader? Absolutely! Most eBook platforms offer webbased readers or mobile apps that allow you to read eBooks on your computer, tablet, or smartphone. How do I avoid digital eye strain while reading eBooks? To prevent digital eye strain, take regular breaks, adjust the font size and background color, and ensure proper lighting while reading eBooks. What the advantage of interactive eBooks? Interactive eBooks incorporate multimedia elements, quizzes, and activities, enhancing the reader engagement and providing a more immersive learning experience. Tennant 385 Sweeper Manual is one of the best book in our library for free trial. We provide copy of Tennant 385 Sweeper Manual in digital format, so the resources that you find are reliable. There are also many Ebooks of related with Tennant 385 Sweeper Manual. Where to download Tennant 385 Sweeper Manual online for free? Are you looking for Tennant 385 Sweeper Manual PDF? This is definitely going to save you time and cash in something you should think about. If you trying to find then search around for online. Without a doubt there are numerous these available and many of them have the freedom. However without doubt you receive whatever you purchase. An alternate way to get ideas is always to check another Tennant 385 Sweeper Manual. This method for see exactly what may be included and adopt these ideas to your book. This site will almost certainly help you save time and effort, money and stress. If you are looking for free books then you really should consider finding to assist you try this. Several of Tennant 385 Sweeper Manual are for sale to free while some are payable. If you arent sure if the books you would like to download works with for usage along with your computer, it is possible to download free trials. The free guides make it easy for someone to free access online library for download books to your device. You can get free download on free trial for lots of books categories. Our library is the biggest of these that have literally hundreds of thousands of different products categories represented. You will also see that there are specific sites catered to different product types or categories, brands or niches related with Tennant 385 Sweeper Manual. So depending on what exactly you are searching,

you will be able to choose e books to suit your own need. Need to access completely for Campbell Biology Seventh Edition book? Access Ebook without any digging. And by having access to our ebook online or by storing it on your computer, you have convenient answers with Tennant 385 Sweeper Manual To get started finding Tennant 385 Sweeper Manual, you are right to find our website which has a comprehensive collection of books online. Our library is the biggest of these that have literally hundreds of thousands of different products represented. You will also see that there are specific sites catered to different categories or niches related with Tennant 385 Sweeper Manual So depending on what exactly you are searching, you will be able to choose ebook to suit your own need. Thank you for reading Tennant 385 Sweeper Manual. Maybe you have knowledge that, people have search numerous times for their favorite readings like this Tennant 385 Sweeper Manual, but end up in harmful downloads. Rather than reading a good book with a cup of coffee in the afternoon, instead they juggled with some harmful bugs inside their laptop. Tennant 385 Sweeper Manual is available in our book collection an online access to it is set as public so you can download it instantly. Our digital library spans in multiple locations, allowing you to get the most less latency time to download any of our books like this one. Merely said, Tennant 385 Sweeper Manual is universally compatible with any devices to read.

### **Find Tennant 385 Sweeper Manual :**

[univesity of johhanersburg 2015 application form](#)

**university pretoria year calendar**

[university of eldoret kuccps admission 2015](#)

~~[united healthcare oxford revenue codes](#)~~

[university calculus early transcendentals](#)

~~[united states postal service retail quick reference guide 2015](#)~~

[united auto insurance maintenance schedules](#)

*upboard of madrsa education lucknow risult 2014*

[up the down staircase english edition](#)

*university personal perspective paper*

[up madarsa board result 2013 molvi](#)

[up board munshi urdu result 2014](#)

~~[unite 5 lecon 14 block scheduling copymasters answers](#)~~

[university of fort hare application forms for 2016](#)

**university of the western cape prospectus 2015**



**Tennant 385 Sweeper Manual :**

homöopathie bei tieren praxisvita - Mar 02 2023

web sep 9 2021 das problem laut gesellschaft für ganzheitliche tiermedizin e v sind in deutschland derzeit nur 67 tierärzten innen mit der zusatzbezeichnung homöopathie

**praxisleitfaden tierhomöopathie vom arzneimittelb** - Jul 26 2022

web praxisleitfaden tierhomöopathie the science and art of riding in lightness understanding training induced problems their avoidance and remedies english

*praxisleitfaden tierhomöopathie vom arzneimittelb* - Dec 19 2021

web praxisleitfaden tierhomöopathie vom arzneimittelb 3 3 development of these methods it also describes how chinese medical workers following chairman mao s teachings

praxisleitfaden tierhomöopathie vom arzneimittelb - Aug 07 2023

web 2 praxisleitfaden tierhomöopathie vom arzneimittelb 2023 03 05 of bioresonance therapy this book elaborates extensively and systematically the foundation and practice

*praxisleitfaden tierhomöopathie vom arzneimittelb* - Oct 29 2022

web praxisleitfaden tierhomöopathie vom arzneimittelb 3 3 including a new automated testing rig analysis of the testing results provides a better understanding of these

**praxisleitfaden tierhomöopathie vom arzneimittelb** - Feb 18 2022

web praxisleitfaden tierhomöopathie vom arzneimittelb hochpotenzen über d 30 in der homöopathie ein pseudo wissenschaftliches unding rational engineering of the

**tierhomöopathie alle infos zu ausbildung und** - Dec 31 2022

web das macht deinen beruf spannend und vielseitig im bereich der tierhomöopathie bist du freiberuflich tätig und kannst dein einkommen durch das honorar selbst festsetzen die

praxisleitfaden tierhomöopathie vom arzneimittelb - Aug 27 2022

web 4 praxisleitfaden tierhomöopathie vom arzneimittelb 2022 10 08 apprimus wissenschaftsverlag homoeopathy today has developed a beautiful orchid which is

**praxisleitfaden tierhomöopathie vom arzneimittelb** - May 24 2022

web praxisleitfaden tierhomöopathie vom arzneimittelb downloaded from alpaca awamaki org by guest brewer alana handbook of probiotics georg thieme

**praxisleitfaden tierhomöopathie vom arzneimittelb** - Mar 22 2022

web praxisleitfaden tierhomoopathie vom arzneimittelb downloaded from stage gapinc com by guest burns laila homeopathy reconsidered apprimus wissenschaftsverlag a

**praxisleitfaden tierhomoopathie vom arzneimittelb tpc redmatters** - Apr 03 2023

web praxisleitfaden tierhomoopathie vom arzneimittelb the science and art of riding in lightness understanding training induced problems their avoidance and remedies

**praxisleitfaden tierhomoopathie vom arzneimittelb** - Nov 17 2021

web feb 29 2020 2 praxisleitfaden tierhomoopathie vom arzneimittelb 2020 02 29 behandlung urologischer erkrankungen seit jeher eine große rolle zunehmend wird

**praxisleitfaden tierhomoopathie vom arzneimittelb** - Jun 05 2023

web praxisleitfaden tierhomoopathie vom arzneimittelb materia medica samuel hahnemann 2003 08 homoeopathy today has developed a beautiful orchid which is

**praxisleitfaden tierhomöopathie vom arzneimittelbild zum** - Sep 08 2023

web praxisleitfaden tierhomöopathie vom arzneimittelbild zum leitsymptom krüger christiane p amazon com tr kitap

praxisleitfaden tierhomoopathie vom arzneimittelb - Jan 20 2022

web praxisleitfaden tierhomoopathie vom arzneimittelb downloaded from ftp adaircountymissouri com by guest lang braylon ganzheitliche

**praxisleitfaden tierhomoopathie vom arzneimittelb** - Jul 06 2023

web praxisleitfaden tierhomoopathie vom arzneimittelb hochpotenzen über d 30 in der homöopathie ein pseudo wissenschaftliches unding praxisleitfaden tierhomöopathie

**praxisleitfaden tierhomoopathie vom arzneimittelb** - Nov 29 2022

web praxisleitfaden tierhomöopathie hochpotenzen über d 30 in der homöopathie ein pseudo wissenschaftliches unding handbook of probiotics praxisleitfaden

**praxisleitfaden tierhomoopathie vom arzneimittelb** - Jun 24 2022

web 4 praxisleitfaden tierhomoopathie vom arzneimittelb 2023 04 07 caused by the limited mathematical approaches the present thesis deals with the development of

**homöopathie bei tieren tiermedizinportal** - Feb 01 2023

web die homöopathie bei tieren basiert auf drei grundsätzen die Ähnlichkeitsregel besagt dass eine erkrankung mit einer substanz geheilt werden kann die bei einem gesunden

**praxisleitfaden tierhomoopathie vom arzneimittelb** - Apr 22 2022

web praxisleitfaden tierhomöopathie essentials of tortoise medicine and surgery acupuncture in the treatment of pain

chinese medicine hochpotenzen über d 30 in der

**praxisleitfaden tierhomöopathie vom arzneimittelbild zum** - Oct 09 2023

web medizin tiermedizin neu 86 99 preisangaben inkl ust abhängig von der lieferadresse kann die ust an der kasse variieren  
weitere informationen lieferung für

*praxisleitfaden tierhomoopathie vom arzneimittelb* - May 04 2023

web 4 praxisleitfaden tierhomoopathie vom arzneimittelb 2022 06 15 electronic media 3d simulation and robotics the basis  
for any erobotics application is a comprehensive 3d

**praxisleitfaden tierhomoopathie vom arzneimittelb** - Sep 27 2022

web praxisleitfaden tierhomoopathie vom arzneimittelb 1 omb no praxisleitfaden tierhomoopathie vom arzneimittelb  
homöopathie heilung oder humbug swr

**la litta c rature pornographique 2022 ai classmonitor** - Aug 07 2023

web la litta c rature pornographique downloaded from ai classmonitor com by guest kline norman la chambre de janus  
cornell university press pornography first developed in western europe during the late eighteenth century in tandem with the  
rise of utilitarianism the philosophical position that stresses the importance of something s

**la littérature pornographique by dominique maingueneau** - Oct 29 2022

web topics by science gov litt rature antique ddefinition de litt rature antique dibutate 2 0 la femme auteur l re du num riche  
absurde wikipdia full text of nuova antologia internet archive manuel bibliographique de la littrature franaise moderne le live  
marseille aller dans les plus grandes soires m3c univ corse fr mire sur les

**la litta c rature pornographique pdf uniport edu** - Apr 22 2022

web may 19 2023 la litta c rature pornographique 2 12 downloaded from uniport edu ng on may 19 2023 by guest bientôt  
des chemins connus tel le dieu janus catherine doit à la fois scruter le passé et envisager le futur son expérience à la juliette  
society l aidera t elle à comprendre ce qu elle attend vraiment de la vie de l amour et du sexe

**la littérature pornographique by dominique maingueneau** - Jul 06 2023

web la littérature pornographique by dominique maingueneau la littérature pornographique by dominique maingueneau  
quelque part en france lencyclopdie interactive des manuel bibliographique de la littrature franaise moderne mire archive  
profa ch pigraphe litt rature ddefinition de pigraphe mthode esprit et doctrine de la franc

**la littérature pornographique by dominique maingueneau** - Jun 05 2023

web cet ouvrage aborde le texte pornographique en le rapportant à des genres textuels dont on peut analyser les conditions  
d apparition et le fonctionnement ayant présenté les caractéristiques de l écriture pornographique il retrace son

**la litta c rature pornographique 2022 alpaca awamaki** - Apr 03 2023

web la litta c rature pornographique 5 5 supreme court of canada the extensive and detailed documentation presented here leaves no doubt that the canadian legal system played a dominant role in creating and preserving racial discrimination a central message of this book is that racism is deeply embedded in canadian history despite canada s

[cartoon videos xvideos com](#) - Sep 27 2022

web 1 880 cartoon videos found on xvideos 1080p 31 min gravity falls parody cartoon porn full uncensored hentai 1080p 3 min girls night out pt 5 cheating wife dp by two bbc african studs 1080p 3 min harley quinn joker batman public threesome on highway road in texas 1080p 2 min

[la litta c rature pornographique copy uniport edu](#) - Nov 29 2022

web jul 20 2023 la litta c rature pornographique is available in our digital library an online access to it is set as public so you can get it instantly our book servers saves in multiple countries allowing you to get the most less latency time to download

[la litta c rature pornographique 2023 assets ceu social](#) - Sep 08 2023

web enter the realm of la litta c rature pornographique a mesmerizing literary masterpiece penned by a distinguished author guiding readers on a profound journey to unravel the secrets and potential hidden within every word

**la litta c rature pornographique pdf staging friends library** - Mar 02 2023

web nov 20 2022 la litta c rature pornographique 1 11 downloaded from staging friends library org on november 20 2022 by guest la litta c rature pornographique when people should go to the ebook stores search instigation by shop shelf by shelf it is in point of fact problematic this is why we give the book compilations in this website

[la litta c rature pornographique book pivotid uvu](#) - Feb 01 2023

web la litta c rature pornographique gente sannita forche caudine forche caudine gender bender 2018 artribune cassano magnago super vincita al 10elotto varesepress info bicyclist hit at prospect and grove banaana tree news

**lara croft xhamster** - May 24 2022

web la sexy lara croft chevauche une grosse bite dans une compilation de sexe en 3d 129 4k vues 02 09 07 lara croft porno 299 3k vues 17 27 lara croft prend deux bites sfm 34 9k vues 02 18 lara croft le branle avec ses seins et mange du sperme jackhallowee1 137k vues 04 28

[la litta c rature pornographique pdf wrbb neu](#) - Dec 31 2022

web la litta c rature pornographique 1 la litta c rature pornographique this is likewise one of the factors by obtaining the soft documents of this la litta c rature pornographique by online you might not require more get older to spend to go to the book opening as with ease as search for them

[la littérature pornographique by dominique maingueneau](#) - Oct 09 2023

web la littérature pornographique by dominique maingueneau la littérature pornographique by dominique maingueneau littérature antique définition de littérature antique dominiqueleroy fr selected poems robert burns isbn 9782200266417 pdf epub couperin photo extrannuaire mouvement f ministe mouvement homosexuel un dialogue

**la littérature pornographique by dominique maingueneau** - May 04 2023

web cet ouvrage aborde le texte pornographique en le rapportant à des genres textuels dont on peut analyser les conditions d'apparition et le fonctionnement ayant présenté les caractéristiques de l'écriture pornographique il retrace son *laetitia lacourt xhamster* - Jun 24 2022

web plus de filles chatte avec des filles de xhamster live dès maintenant stripper girls chloe lacourt et ava courcelles hot rencontre vidéos porno laetitia lacourt gratuites pour 2023 nouvelles vidéos chaque jour découvrez des tonnes de films x avec des scènes de sexe torrides prêts à être regardés immédiatement

[lara croft the hentai comic porn video 6c xhamster](#) - Jul 26 2022

web watch lara croft tube sex video for free on xhamster with the amazing collection of the hentai comic lara croft cartoon porn movie scenes

*laura c xhamster* - Aug 27 2022

web vidéos porno laura c gratuites pour 2023 nouvelles vidéos chaque jour découvrez des tonnes de films x avec des scènes de sexe torrides prêts à être regardés immédiatement

*la littérature pornographique by dominique maingueneau* - Feb 18 2022

web may 23 2023 littérature française de la fin du xviii<sup>e</sup> siècle en m t ramos y c desprès eds percepción y realidad estudios francófonos valladolid servicio de publicaciones de la universidad de valladolid 579 585 c est dans le mme esprit que j'ai fait précéder la bibliographie du xv<sup>e</sup> siècle de deux chapitres d'introduction par

*la littérature pornographique by dominique maingueneau* - Mar 22 2022

web la littérature pornographique by dominique maingueneau l'école de vie pigraphe littérature définition de pigraphe mire sur les topics by science gov download freedict couperin untitled document jeannedarc fr selected poems robert burns isbn 9782200266417 pdf epub cover bienvenue sur le site de la revue bbord couperin

*rob ferreira hospital pharmacy assistant learnership 2014 a j* - Mar 20 2022

web rob ferreira hospital pharmacy assistant learnership 2014 rob ferreira hospital pharmacy assistant learnership 2014 1 downloaded from old restorativejustice.org on 2021 07 09 by guest rob ferreira hospital pharmacy assistant learnership 2014 if

[rob ferreira hospital pharmacy assistant learnership 2014 pdf](#) - Apr 01 2023

web jul 1 2023 rob ferreira hospital pharmacy assistant learnership 2014 pdf if you ally dependence such a referred rob

ferreira hospital pharmacy assistant learnership 2014 pdf ebook that will find the money for you worth acquire the entirely best seller

[rob ferreira hospital pharmacy assistant learnership 2014](#) - Sep 25 2022

web hospital pharmacy pdf rob ferreira hospital pharmacy assistant learnership 2014 pdf free download here search jobs and careers in south africa find employment by browsing our list of vacancies in south africa

[rob ferreira hospital pharmacy assistant learnership 2014](#) - Jan 18 2022

web rob ferreira hospital pharmacy assistant learnership 2014 rob ferreira hospital pharmacy assistant learnership 2014

about us payscale about mpumalanga department of health vacancies in south africa job rob ferreira hospital

[rob ferreira hospital pharmacy assistant learnership 2014](#) - Sep 06 2023

web the statement rob ferreira hospital pharmacy assistant learnership 2014 that you are looking for it will unconditionally squander the time however below once you visit this web page it will be appropriately entirely easy to get as without difficulty as download lead

**rob ferreira hospital pharmacy assistant learnership 2014** - May 02 2023

web april 30th 2018 manual life orientation grade 12 2014 june sears for pharmacy technicians text and with it rob ferreira hospital learnerships how do i convert pdf about us payscale about april 30th 2018 learn more about payscale and our mission to transform the

[İstanbul Üniversitesi İstanbul tıp fakültesi](#) - Nov 27 2022

web İstanbul tıp fakültesi fakülte İdari kadro dekan mesajı tarihçe

**rob ferreira hospital pharmacy assistant learnership 2014** - Aug 05 2023

web this rob ferreira hospital pharmacy assistant learnership 2014 as one of the most full of life sellers here will totally be in the midst of the best options to review

**rob ferreira hospital pharmacy assistant learnership 2014 pdf** - Nov 15 2021

web sep 5 2023 rob ferreira hospital pharmacy assistant learnership 2014 pdf is universally compatible subsequently any devices to read a joy in the cradle maimuna m bala 2008 bioactive food as dietary interventions for cardiovascular disease ronald

[rob ferreira hospital pharmacy assistant learnership 2014 copy](#) - Jun 03 2023

web rob ferreira hospital pharmacy assistant learnership 2014 3 3 the classic work on the evaluation of city form what does the city s form actually mean to the people who live there what can the city planner do to make the city s image more vivid and memorable to the

**free pdf download rob ferreira hospital pharmacy assistant** - Jul 04 2023

web rob ferreira hospital pharmacy assistant learnership 2014 pdf right here we have countless books rob ferreira hospital pharmacy assistant learnership 2014 pdf and collections to check out we additionally meet the expense of variant types and [klīnik uygulama dersi İstanbul](#) - Aug 25 2022

web sevgili öğrencimiz klinik uygulama dersi nde lisans eğitimi süresince kazandığınız bilgi ve becerilerinizi birey aile ve toplumun sağlık bakımı gereksinimlerini karşılama da kullanarak yeterlik kazanmanızı

*rob ferreira hospital pharmacy assistant learnership 2014 1* - May 22 2022

web rob ferreira hospital pharmacy assistant learnership 2014 1 pdf upload dona r robertson 2 10 downloaded from yearbook ladieseuropeantour com on october 8 2023 by dona r robertson a four color design is organized into four main parts part i introduces

**rob ferreira hospital pharmacy assistant learnership 2014** - Jan 30 2023

web rob ferreira hospital pharmacy assistant learnership 2014 netcare official site may 2nd 2018 netcare limited is the largest private hospital network in south africa about us payscale about april 30th 2018 learn more about payscale and our mission to

*rob ferreira hospital pharmacy assistant learnership 2014 book* - Oct 07 2023

web rob ferreira hospital pharmacy assistant learnership 2014 report by the comptroller and auditor general sep 16 2021 interview questions and answers apr 04 2023 information for apprentices feb 07 2021 the labour gazette jun 13 2021 technical

[rob ferreira hospital pharmacy assistant learnership 2014](#) - Feb 28 2023

web april 28th 2018 sun 01 apr 2018 12 43 00 gmt rob ferreira hospital pharmacy pdf rob ferreira hospital pharmacy assistant learnership 2014 pdf free download here learnerships sa learnership may 2nd 2018 the learnership period will be of 12

**rob ferreira hospital pharmacy assistant learnership 2014** - Feb 16 2022

web getting the books rob ferreira hospital pharmacy assistant learnership 2014 now is not type of challenging means you could not only going as soon as books accretion or library or borrowing from your contacts to admission them

[rob ferreira hospital pharmacy assistant learnership 2014](#) - Dec 17 2021

web jul 11 2023 rob ferreira hospital pharmacy assistant learnership 2014 top 25 emergency department technician profiles linkedin class of 2017 adaryll simpson working pharmacist future have a regional referral hospital with rob ferreira job

**rob ferreira hospital pharmacy assistant learnership 2014** - Oct 27 2022

web rob ferreira hospital pharmacy assistant learnership 2014 right here we have countless ebook rob ferreira hospital pharmacy assistant learnership 2014 and collections to check out we additionally give variant types and in addition to type of

the

[rehber Öğretmen İş İlanı 26 ekim 2023 indeed com](#) - Jul 24 2022

web 89 açık rehber Öğretmen iş ilanı dünyanın en büyük iş sitesi indeed com adresinde

[rob ferreira hospital pharmacy assistant learnership 2014](#) - Jun 22 2022

web apr 14 2023 rob ferreira hospital pharmacy assistant learnership 2014 1 8 downloaded from uniport edu ng on april 14 2023 by guest rob ferreira hospital pharmacy assistant learnership 2014 eventually you will totally discover a additional

**rob ferreira hospital pharmacy assistant learnership 2014** - Dec 29 2022

web 4 rob ferreira hospital pharmacy assistant learnership 2014 2023 01 26 perspective which highlights an issue related to the case that is important to countries outside of north america or involve different ethnic groups or races case summary journal bulletin

**rob ferreira hospital pharmacy assistant learnership 2014** - Apr 20 2022

web oct 9 2023 rob ferreira hospital pharmacy assistant learnership 2014 find training amp courses online at careers24 com list of hospitals in south africa wikipedia sabelo r zulu managing director russell s pharmacy department of health mpumalanga