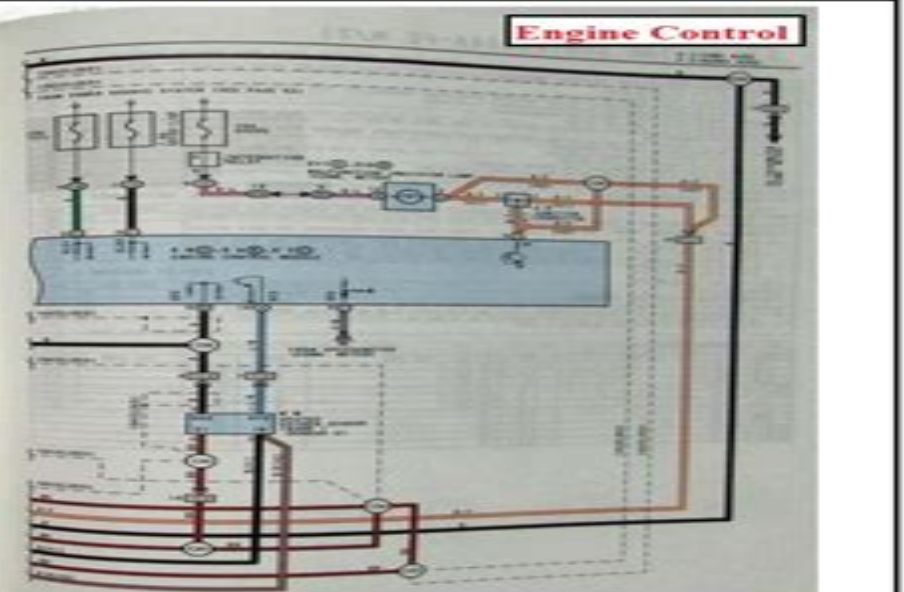
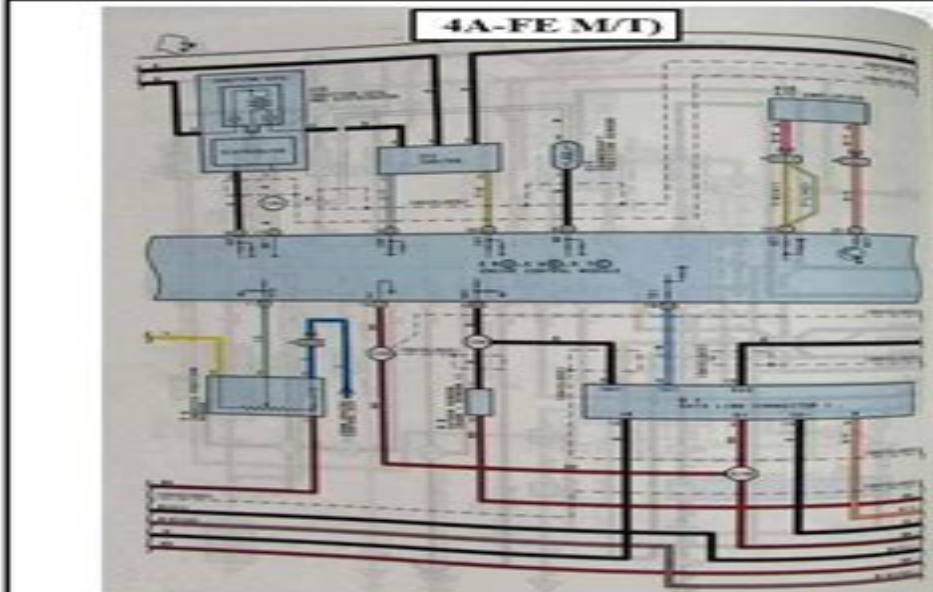
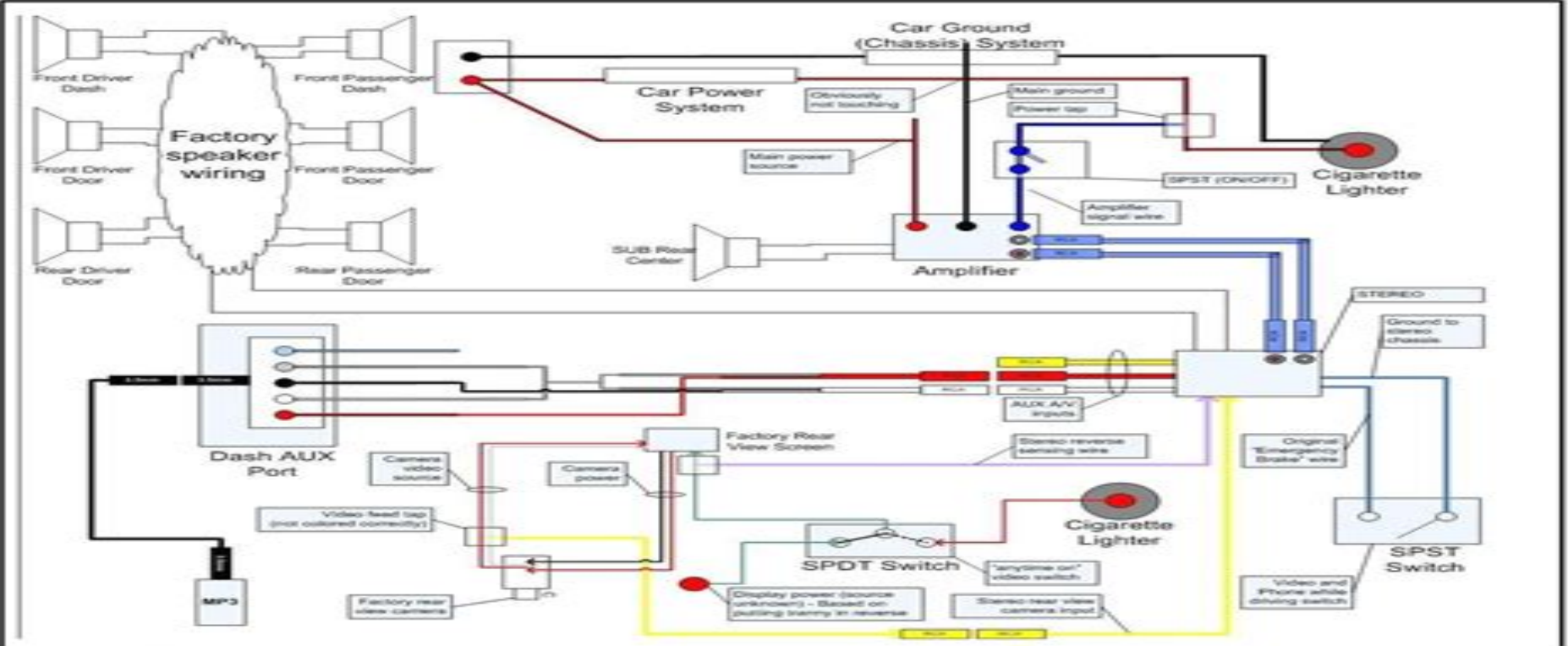


# TOYOTA COROLLA ELECTRIC WIRING DIAGRAM



# Toyota Corolla 1995 Computer Wiring Diagram

**PT Brinkman**



## **Toyota Corolla 1995 Computer Wiring Diagram:**

*Chilton's Repair & Tune-up Guide, Toyota Corolla, Carina, Tercel, Starlet, 1970-81*, 1981 *Chilton's Toyota Corolla 1970-87 Repair Manual* Chilton Book Company, 1995 Total Car Care is the most complete step by step automotive repair manual you ll ever use All repair procedures are supported by detailed specifications exploded views and photographs

**Popular Mechanics**, 1976-11 Popular Mechanics inspires instructs and influences readers to help them master the modern world Whether it s practical DIY home improvement tips gadgets and digital technology information on the newest cars or the latest breakthroughs in science PM is the ultimate guide to our high tech lifestyle **Popular Science**, 1977-03 Popular Science gives our readers the information and tools to improve their technology and their world The core belief that Popular Science and our readers share The future is going to be better and science and technology are the driving forces that will help make it better

**Popular Mechanics**, 1977-02 Popular Mechanics inspires instructs and influences readers to help them master the modern world Whether it s practical DIY home improvement tips gadgets and digital technology information on the newest cars or the latest breakthroughs in science PM is the ultimate guide to our high tech lifestyle

**Popular Mechanics**, 1977-05 Popular Mechanics inspires instructs and influences readers to help them master the modern world Whether it s practical DIY home improvement tips gadgets and digital technology information on the newest cars or the latest breakthroughs in science PM is the ultimate guide to our high tech lifestyle Popular Science, 1977-05 Popular Science gives our readers the information and tools to improve their technology and their world The core belief that Popular Science and our readers share The future is going to be better and science and technology are the driving forces that will help make it better

*Popular Science*, 1977-04 Popular Science gives our readers the information and tools to improve their technology and their world The core belief that Popular Science and our readers share The future is going to be better and science and technology are the driving forces that will help make it better **Popular Science**, 1976-09 Popular Science gives our readers the information and tools to improve their technology and their world The core belief that Popular Science and our readers share The future is going to be better and science and technology are the driving forces that will help make it better

**Popular Science**, 1977-02 Popular Science gives our readers the information and tools to improve their technology and their world The core belief that Popular Science and our readers share The future is going to be better and science and technology are the driving forces that will help make it better *Popular Science*, 1976-11 Popular Science gives our readers the information and tools to improve their technology and their world The core belief that Popular Science and our readers share The future is going to be better and science and technology are the driving forces that will help make it better

**Popular Mechanics**, 1976-09 Popular Mechanics inspires instructs and influences readers to help them master the modern world Whether it s practical DIY home improvement tips gadgets and digital technology information on the newest cars or the latest breakthroughs in science PM is the ultimate guide to our high tech lifestyle **American Book**

**Publishing Record** ,1995      *Popular Mechanics* ,1977-04 Popular Mechanics inspires instructs and influences readers to help them master the modern world Whether it s practical DIY home improvement tips gadgets and digital technology information on the newest cars or the latest breakthroughs in science PM is the ultimate guide to our high tech lifestyle

Popular Mechanics ,1977-03 Popular Mechanics inspires instructs and influences readers to help them master the modern world Whether it s practical DIY home improvement tips gadgets and digital technology information on the newest cars or the latest breakthroughs in science PM is the ultimate guide to our high tech lifestyle      *Popular Mechanics* ,1980-02 Popular Mechanics inspires instructs and influences readers to help them master the modern world Whether it s practical DIY home improvement tips gadgets and digital technology information on the newest cars or the latest breakthroughs in science PM is the ultimate guide to our high tech lifestyle      Road and Track ,1977      Popular Science ,1986-02 Popular Science gives our readers the information and tools to improve their technology and their world The core belief that Popular Science and our readers share The future is going to be better and science and technology are the driving forces that will help make it better      *Popular Mechanics* ,1979-11 Popular Mechanics inspires instructs and influences readers to help them master the modern world Whether it s practical DIY home improvement tips gadgets and digital technology information on the newest cars or the latest breakthroughs in science PM is the ultimate guide to our high tech lifestyle      Popular Mechanics ,1980-01 Popular Mechanics inspires instructs and influences readers to help them master the modern world Whether it s practical DIY home improvement tips gadgets and digital technology information on the newest cars or the latest breakthroughs in science PM is the ultimate guide to our high tech lifestyle

## Enjoying the Melody of Term: An Mental Symphony within **Toyota Corolla 1995 Computer Wiring Diagram**

In a world eaten by displays and the ceaseless chatter of fast transmission, the melodic elegance and mental symphony created by the published term usually fade into the back ground, eclipsed by the persistent sound and interruptions that permeate our lives. Nevertheless, situated within the pages of **Toyota Corolla 1995 Computer Wiring Diagram** an enchanting literary treasure full of fresh thoughts, lies an immersive symphony waiting to be embraced. Crafted by a masterful composer of language, that captivating masterpiece conducts readers on a psychological trip, skillfully unraveling the concealed melodies and profound affect resonating within each cautiously constructed phrase. Within the depths of this emotional analysis, we will investigate the book is main harmonies, analyze its enthralling writing fashion, and surrender ourselves to the profound resonance that echoes in the depths of readers souls.

<https://hersolutiongelbuy.com/public/book-search/index.jsp/Nv%20Social%20Studies%20Common%20Core%20Pacing%20Guide.pdf>

### **Table of Contents Toyota Corolla 1995 Computer Wiring Diagram**

1. Understanding the eBook Toyota Corolla 1995 Computer Wiring Diagram
  - The Rise of Digital Reading Toyota Corolla 1995 Computer Wiring Diagram
  - Advantages of eBooks Over Traditional Books
2. Identifying Toyota Corolla 1995 Computer Wiring Diagram
  - Exploring Different Genres
  - Considering Fiction vs. Non-Fiction
  - Determining Your Reading Goals
3. Choosing the Right eBook Platform
  - Popular eBook Platforms
  - Features to Look for in an Toyota Corolla 1995 Computer Wiring Diagram
  - User-Friendly Interface
4. Exploring eBook Recommendations from Toyota Corolla 1995 Computer Wiring Diagram

- Personalized Recommendations
  - Toyota Corolla 1995 Computer Wiring Diagram User Reviews and Ratings
  - Toyota Corolla 1995 Computer Wiring Diagram and Bestseller Lists
5. Accessing Toyota Corolla 1995 Computer Wiring Diagram Free and Paid eBooks
    - Toyota Corolla 1995 Computer Wiring Diagram Public Domain eBooks
    - Toyota Corolla 1995 Computer Wiring Diagram eBook Subscription Services
    - Toyota Corolla 1995 Computer Wiring Diagram Budget-Friendly Options
  6. Navigating Toyota Corolla 1995 Computer Wiring Diagram eBook Formats
    - ePub, PDF, MOBI, and More
    - Toyota Corolla 1995 Computer Wiring Diagram Compatibility with Devices
    - Toyota Corolla 1995 Computer Wiring Diagram Enhanced eBook Features
  7. Enhancing Your Reading Experience
    - Adjustable Fonts and Text Sizes of Toyota Corolla 1995 Computer Wiring Diagram
    - Highlighting and Note-Taking Toyota Corolla 1995 Computer Wiring Diagram
    - Interactive Elements Toyota Corolla 1995 Computer Wiring Diagram
  8. Staying Engaged with Toyota Corolla 1995 Computer Wiring Diagram
    - Joining Online Reading Communities
    - Participating in Virtual Book Clubs
    - Following Authors and Publishers Toyota Corolla 1995 Computer Wiring Diagram
  9. Balancing eBooks and Physical Books Toyota Corolla 1995 Computer Wiring Diagram
    - Benefits of a Digital Library
    - Creating a Diverse Reading Collection Toyota Corolla 1995 Computer Wiring Diagram
  10. Overcoming Reading Challenges
    - Dealing with Digital Eye Strain
    - Minimizing Distractions
    - Managing Screen Time
  11. Cultivating a Reading Routine Toyota Corolla 1995 Computer Wiring Diagram
    - Setting Reading Goals Toyota Corolla 1995 Computer Wiring Diagram
    - Carving Out Dedicated Reading Time
  12. Sourcing Reliable Information of Toyota Corolla 1995 Computer Wiring Diagram

- Fact-Checking eBook Content of Toyota Corolla 1995 Computer Wiring Diagram
  - Distinguishing Credible Sources
13. Promoting Lifelong Learning
- Utilizing eBooks for Skill Development
  - Exploring Educational eBooks
14. Embracing eBook Trends
- Integration of Multimedia Elements
  - Interactive and Gamified eBooks

### **Toyota Corolla 1995 Computer Wiring Diagram Introduction**

Toyota Corolla 1995 Computer Wiring Diagram Offers over 60,000 free eBooks, including many classics that are in the public domain. Open Library: Provides access to over 1 million free eBooks, including classic literature and contemporary works. Toyota Corolla 1995 Computer Wiring Diagram Offers a vast collection of books, some of which are available for free as PDF downloads, particularly older books in the public domain. Toyota Corolla 1995 Computer Wiring Diagram : This website hosts a vast collection of scientific articles, books, and textbooks. While it operates in a legal gray area due to copyright issues, its a popular resource for finding various publications. Internet Archive for Toyota Corolla 1995 Computer Wiring Diagram : Has an extensive collection of digital content, including books, articles, videos, and more. It has a massive library of free downloadable books. Free-eBooks Toyota Corolla 1995 Computer Wiring Diagram Offers a diverse range of free eBooks across various genres. Toyota Corolla 1995 Computer Wiring Diagram Focuses mainly on educational books, textbooks, and business books. It offers free PDF downloads for educational purposes. Toyota Corolla 1995 Computer Wiring Diagram Provides a large selection of free eBooks in different genres, which are available for download in various formats, including PDF. Finding specific Toyota Corolla 1995 Computer Wiring Diagram, especially related to Toyota Corolla 1995 Computer Wiring Diagram, might be challenging as theyre often artistic creations rather than practical blueprints. However, you can explore the following steps to search for or create your own Online Searches: Look for websites, forums, or blogs dedicated to Toyota Corolla 1995 Computer Wiring Diagram, Sometimes enthusiasts share their designs or concepts in PDF format. Books and Magazines Some Toyota Corolla 1995 Computer Wiring Diagram books or magazines might include. Look for these in online stores or libraries. Remember that while Toyota Corolla 1995 Computer Wiring Diagram, sharing copyrighted material without permission is not legal. Always ensure youre either creating your own or obtaining them from legitimate sources that allow sharing and downloading. Library Check if your local library offers eBook lending services. Many libraries have digital catalogs where you can borrow Toyota Corolla 1995 Computer Wiring Diagram eBooks for free, including

popular titles. Online Retailers: Websites like Amazon, Google Books, or Apple Books often sell eBooks. Sometimes, authors or publishers offer promotions or free periods for certain books. Authors Website Occasionally, authors provide excerpts or short stories for free on their websites. While this might not be the Toyota Corolla 1995 Computer Wiring Diagram full book, it can give you a taste of the authors writing style. Subscription Services Platforms like Kindle Unlimited or Scribd offer subscription-based access to a wide range of Toyota Corolla 1995 Computer Wiring Diagram eBooks, including some popular titles.

### **FAQs About Toyota Corolla 1995 Computer Wiring Diagram Books**

How do I know which eBook platform is the best for me? Finding the best eBook platform depends on your reading preferences and device compatibility. Research different platforms, read user reviews, and explore their features before making a choice. Are free eBooks of good quality? Yes, many reputable platforms offer high-quality free eBooks, including classics and public domain works. However, make sure to verify the source to ensure the eBook credibility. Can I read eBooks without an eReader? Absolutely! Most eBook platforms offer web-based readers or mobile apps that allow you to read eBooks on your computer, tablet, or smartphone. How do I avoid digital eye strain while reading eBooks? To prevent digital eye strain, take regular breaks, adjust the font size and background color, and ensure proper lighting while reading eBooks. What the advantage of interactive eBooks? Interactive eBooks incorporate multimedia elements, quizzes, and activities, enhancing the reader engagement and providing a more immersive learning experience. Toyota Corolla 1995 Computer Wiring Diagram is one of the best book in our library for free trial. We provide copy of Toyota Corolla 1995 Computer Wiring Diagram in digital format, so the resources that you find are reliable. There are also many Ebooks of related with Toyota Corolla 1995 Computer Wiring Diagram. Where to download Toyota Corolla 1995 Computer Wiring Diagram online for free? Are you looking for Toyota Corolla 1995 Computer Wiring Diagram PDF? This is definitely going to save you time and cash in something you should think about.

### **Find Toyota Corolla 1995 Computer Wiring Diagram :**

*nv social studies common core pacing guide*

**nuwave oven cooking chart times**

**number devil study guide answer key**

**nursing pie documentation**



[nursing progress notes example in australia](#)

[nursing math practice problems](#)

[nuclear equations worksheet chapter 25](#)

[nuwave mini cooking guide](#)

**numerical methods chapra 6th edition**

[numerical analysis burden and faires solution manual](#)

[nut crusted tilipia recipe](#)

**numerical methods solutions manual chapra edition**

*numerical analysis 9th edition student solutions manual*

**nursing application available in gauteng 2016**

[nyc painter exam study guide](#)

**Toyota Corolla 1995 Computer Wiring Diagram :**

*introduction to physics 9th edition cutnell download only* - Feb 26 2022

web sharpness of this introduction to physics 9th edition cutnell solutions can be taken as competently as picked to act principles of measurement systems 3 e bentley 2000

**pdf solutions manual physics 9th edition by john d cutnell** - Sep 04 2022

web introduction to physics 9th edition cutnell solutions student solutions manual for fundamentals of physics apr 06 2020 student solutions manual to accompany

**solutions for physics 9th by john d cutnell kenneth w** - Apr 11 2023

web welcome to the web site for introduction to physics 9th edition international student version by john d cutnell kenneth w johnson this web site gives you access to the

*introduction to physics 9th edition cutnell solutions book* - Jul 02 2022

web sep 22 2015 introduction to physics john d cutnell kenneth w johnson david young shane stadler wiley sep 22 2015 science 896 pages cutnell and johnson

*introduction to physics 9th edition cutnell solutions* - Nov 25 2021

**cutnell johnson introduction to physics 9th edition international** - Mar 10 2023

web verified textbook solutions need answers to physics 9th edition published by john wiley and sons get help now with immediate access to step by step textbook answers

**introduction to physics 9th ed by john d cutnell ebook** - Jun 01 2022

web introduction to physics 9th edition cutnell 1 introduction to physics 9th edition cutnell introduction to physics physics siu edu physics 9th edition textbook

buy introduction to physics book online at low prices in india - Sep 23 2021

introduction to physics john d cutnell kenneth w johnson - Dec 27 2021

web introduction to physics paperback 12 june 2015 by john d cutnell author kenneth w johnson author david young author shane stadler author 1 more 4 9 4 9 out

**introduction to physics john d cutnell kenneth w johnson** - Oct 05 2022

web jun 16 2023 solutions manual physics 9th edition by john d cutnell kenneth w johnson the book is available for you to download in pdf format you

**cutnell johnson introduction to physics 9th edition international** - May 12 2023

web solutions for physics 9th john d cutnell kenneth w johnson get access to all of the answers and step by step video explanations to this book and 5 000 more try

solutions manual physics 9th edition by john d - Jul 14 2023

web cutnell johnson physics 9780470879528 solutions and answers quizlet find step by step solutions and answers to cutnell johnson physics 9780470879528

cutnell and johnson physics 9th edition solutions and - Aug 15 2023

web now with expert verified solutions from cutnell and johnson physics 9th edition you ll learn how to solve your toughest homework problems our resource for cutnell and

*cutnell johnson physics 9th edition student companion site* - Jan 08 2023

web textbook solutions for physics 9th edition john d cutnell and others in this series view step by step homework solutions for your homework ask our subject experts for help

introduction to physics john d cutnell kenneth w johnson - Mar 30 2022

web introduction to physics paperback 1 january 2016 by the tenth edition continues to offer material to help the development of conceptual understanding and show the

*introduction to physics by john d cutnell goodreads* - Aug 03 2022

web cutnell and johnson has been the 1 text in the algebra based physics market for almost 20 years physics 9e continues that tradition by providing superior support students

**introduction to physics 9th edition cutnell solutions robert s** - Oct 25 2021

**physics 9th edition textbook solutions bartleby** - Dec 07 2022

web these links will open a new window copyright 2000 2023 by john wiley sons inc or related companies all right reserved  
privacy policyprivacy policy

*introduction to physics 9th edition cutnell solutions copy* - Jan 28 2022

web skillfully as sharpness of this introduction to physics 9th edition cutnell solutions can be taken as with ease as picked to  
act essential physics john matolyak 2013 12 17

**physics 9th edition solutions studysoup** - Feb 09 2023

web welcome to the web site for physics 9th edition by john d cutnell kenneth w johnson this web site gives you access to the  
rich tools and resources available for

cutnell johnson physics 9780470879528 solutions and - Jun 13 2023

web cutnell johnson introduction to physics 9th edition international student version instructor companion site home browse  
by chapter browse by resource more

**amazon com physics 9th edition 9780470879528** - Apr 30 2022

web introduction to physics 9th edition introduction to physics amazon co uk john d cutnell cutnell johnson introduction to  
physics 9th edition introduction to

**cutnell johnson physics 9th edition student companion site** - Nov 06 2022

web apr 24 2012 cutnell and johnson has been the 1 text in the algebra based physics market for almost 20 years physics 9e  
continues that tradition by providing superior

modern archery advanced tuning techniques 2 0 full pdf - Jan 25 2022

web modern archery advanced tuning techniques 2 0 applied simulation and optimization 2 jan 21 2023 building on the  
author s earlier applied simulation and optimization this

*amazon com customer reviews modern archery advanced* - Nov 03 2022

web find helpful customer reviews and review ratings for modern archery advanced tuning techniques at amazon com read  
honest and unbiased product reviews from our users

**modern archery advanced tuning techniques 2 0 paperback** - Oct 14 2023

web tools changing strings and cables adjusting cam lean how to tune a lizard tongue nock points and d loop peep install at  
full draw perfect sight tuning method tuning vertical

modern archery advanced tuning techniques - Apr 27 2022

web modern archery advanced tuning techniques 3 3 advice for teaching beginning bowshooters the engineering of sport  
stackpole books zero in on the latest methods

[modern archery advanced tuning techniques 20](#) - Feb 23 2022

web alignment back tension breathing variations in technique and more tuning methods of visual paper bare shaft walk back and group tuning are described and compared

**modern archery advanced tuning techniques 2 0 paperback** - Sep 01 2022

web buy modern archery advanced tuning techniques 2 0 by coop vernon online on amazon ae at best prices fast and free shipping free returns cash on delivery available

*modern archery advanced tuning techniques 2 0 paperback* - Apr 08 2023

web modern archery advanced tuning techniques 2 0 coop vernon amazon com au books

**buy modern archery advanced tuning techniques 2 0 online at** - Oct 02 2022

web shop modern archery advanced tuning techniques 2 0 online at best prices at desertcart the best international shopping platform in singapore free delivery across

*modern archery advanced tuning techniques 2 0 alibris* - Feb 06 2023

web buy modern archery advanced tuning techniques 2 0 by vernon coop online at alibris we have new and used copies available in 1 editions starting at 20 12 shop

**modern archery advanced tuning techniques 2 0 kindle edition** - Mar 07 2023

web apr 4 2019 modern archery advanced tuning techniques 2 0 ebook coop vernon amazon co uk kindle store

**loading interface goodreads** - Dec 24 2021

web discover and share books you love on goodreads

**modern archery advanced tuning techniques sheetodo com** - Mar 27 2022

web pronouncement as with ease as keenness of this modern archery advanced tuning techniques can be taken as well as picked to act total archery kisik lee 2005 lost

**modern archery advanced tuning techniques 2 0** - May 29 2022

web modern archery advanced tuning techniques 2 0 thisiswhatsupertuningisallabout aperfectlytunedbowshootingaperfectlytunedarrowbyanarcher perfectlyintunewithise

*modern archery advanced tuning techniques 2 0 kindle edition* - Aug 12 2023

web tools changing strings and cables adjusting cam lean how to tune a lizard tongue nock points and d loop peep install at full draw perfect sight tuning method tuning vertical

**modern archery advanced tuning techniques goodreads** - Jun 10 2023

web read reviews from the world s largest community for readers this is what super tuning is all a perfectly tuned bow shooting a perfectly tuned arrow by an

**modern archery advanced tuning techniques 2 0** - Sep 13 2023

web mar 31 2019 modern archery advanced tuning techniques 2 0 paperback march 31 2019 by vernon coop author 4 1 46 ratings see all formats and editions this is what

*modern archery advanced tuning techniques paperback* - May 09 2023

web hello sign in account lists returns orders cart

modern archery advanced tuning techniques google books - Jul 11 2023

web we will be sharing secrets only a few of the pros know tools changing strings and cables adjusting cam lean how to tune a lizard tongue nock points and d loop peep install at

**image unavailable amazon com** - Jun 29 2022

web mar 25 2018 we will be sharing secrets only a few of the pros know tools changing strings and cables adjusting cam lean how to tune a lizard tongue nock points and d

**buy modern archery advanced tuning techniques 2 0 book** - Dec 04 2022

web amazon in buy modern archery advanced tuning techniques 2 0 book online at best prices in india on amazon in read modern archery advanced tuning techniques

**centenary archers tuning** - Jul 31 2022

web setting up and tuning your equipment is a vital part of archery although the outcomes related to tuning your equipment are directly related to your shooting technique and

**modern archery advanced tuning techniques 2 0 kindle edition** - Jan 05 2023

web modern archery advanced tuning techniques 2 0 ebook coop vernon amazon in kindle store

**modern archery advanced tuning techniques 2 0** - Nov 22 2021

web modern archery advanced tuning techniques 2 0 modern optimization techniques with applications in electric power systems sep 19 2021 this book presents the

aprender ouvir uma história de criança esperta portuguese edition - Dec 27 2021

web jun 30 2015 buy aprender ouvir uma história de criança esperta portuguese edition read kindle store reviews amazon com

uma criança esperta portuguese edition versión kindle - Nov 06 2022

web lee ahora en digital con la aplicación gratuita kindle

**uma criança esperta portuguese edition kindle edition** - Aug 15 2023

web apr 10 2013 uma criança esperta portuguese edition kindle edition by ulrich l h download it once and read it on your kindle device pc phones or tablets use features like bookmarks note taking and highlighting while reading uma

*uma criança esperta portuguese edition kindle* □ □ □ □ - Apr 11 2023

web apr 10 2013 *uma criança esperta portuguese edition kindle edition by ulrich l h* download it once and read it on your kindle device pc phones or tablets use features like bookmarks note taking and highlighting while reading *uma*

**uma criança esperta portuguese edition kindle edition** - Jul 14 2023

web apr 10 2013 *uma criança esperta portuguese edition ebook ulrich l h amazon co uk kindle store*

*uma cria translation in english portuguese english dictionary* - Feb 26 2022

web *uma cria translation in portuguese english reverso dictionary* see also *criar crina criado cair* examples definition conjugation translation context spell

**uma translation in english portuguese english dictionary reverso** - Mar 30 2022

web *uma translation in portuguese english reverso dictionary* see also *um a umbanda u uai* examples definition conjugation *umacriancaespertaportugueseedition* - Jun 01 2022

web 1 *umacriancaespertaportugueseedition* as recognized adventure as with ease as experience more or less lesson amusement as with ease as promise can be gotten by just

**uma criança esperta portuguese edition kindle edition amazon de** - Jan 28 2022

web *uma criança esperta portuguese edition ebook ulrich l h amazon de kindle store*

*era uma criança translation in english portuguese english* - Apr 30 2022

web *era uma criança translation in portuguese english reverso dictionary* see also *criançada criação cria carniça* examples definition conjugation

**uma crianca esperta portuguese edition pdf** - Oct 05 2022

web *uma crianca esperta portuguese edition unveiling the energy of verbal artistry an psychological sojourn through uma crianca esperta portuguese edition in a global inundated with displays and the cacophony of immediate communication the profound energy and mental resonance of verbal artistry usually diminish in to obscurity eclipsed*

*aprender ouvir uma história de criança esperta portuguese edition* - Jan 08 2023

web *aprender ouvir uma história de criança esperta portuguese edition ebook almeida Ângelo almeida Ângelo amazon co uk kindle store*

**uma criança esperta portuguese edition kindle edition** - Jun 13 2023

web *uma criança esperta portuguese edition ebook ulrich l h amazon in kindle store*

*uma crianca esperta portuguese edition uniport edu* - Jul 02 2022

web apr 5 2023 *uma crianca esperta portuguese edition 1 9* downloaded from uniport edu ng on april 5 2023 by guest *uma crianca esperta portuguese edition* as recognized adventure as without difficulty as experience just about lesson amusement

as competently as union can be gotten by just checking out a books uma criança esperta

**uma criança esperta portuguese edition format kindle** - Dec 07 2022

web achetez et téléchargez ebook uma criança esperta portuguese edition boutique kindle fantastique science fiction et horreur amazon fr

uma criança esperta portuguese edition by l h ulrich - Aug 03 2022

web uma criança esperta portuguese edition by l h ulrich eu sou malala em portuguese do brasil portuguese apostila baralho maria padilha tereza cirne 1 pdf literatura infantil contemporânea o passado meu outro blog entários saindo da matrix da diáspora judaica no caribe séculos xvii e xviii a babá de freud e outras babás

**uma criança esperta by l h ulrich goodreads** - Feb 09 2023

web uma criança esperta book read reviews from world s largest community for readers uma história que acontece no futuro sobre um soldado com lapsos de me

**uma criança esperta portuguese edition kindle ausgabe amazon de** - May 12 2023

web uma criança esperta portuguese edition ebook ulrich l h amazon de kindle shop

**uma aventura tv series 2000 2007 imdb** - Sep 04 2022

web uma aventura na cidade the group finds out that an old garage is the base of operations for a gang of car thieves and their leader is a renowned local figure nobody would ever suspect 7 9 10 rate top rated wed dec 28 2005 s4 e8

uma criança esperta portuguese edition ebook amazon it - Mar 10 2023

web uma criança esperta portuguese edition ebook ulrich l h amazon it kindle store