

SAMSUNG

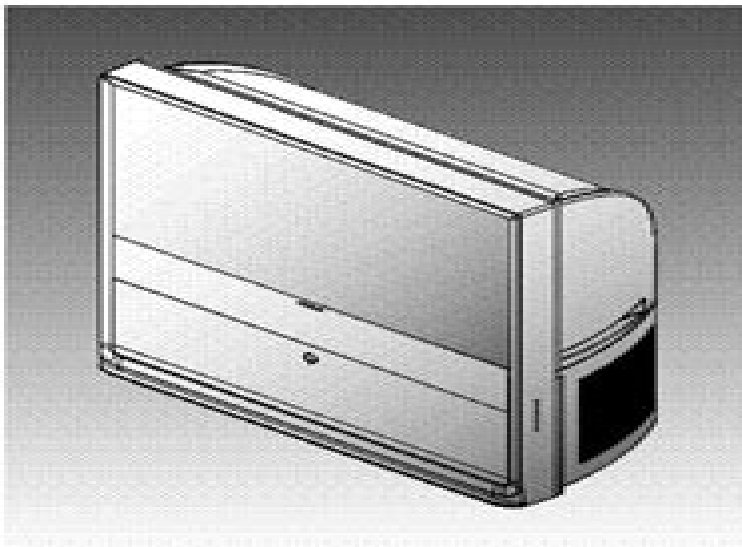
PROJECTION TV RECEIVER

Chassis : P62A(N)_Benhur-3

Model : HCR5245WX/XAA (HC-R5245W)

SERVICE Manual

PROJECTION TV RECEIVER



CONTENTS

1. Product Specification
2. Alignment & Adjustment
3. Troubleshooting
4. Exploded View & Part List
5. Electrical Part List
6. Block Diagram
7. PCB Diagram
8. Schematic Diagram

Samsung Hcr5245wx Xaa Tv Service Manual

Lei Shi



Samsung Hcr5245wx Xaa Tv Service Manual:

This is likewise one of the factors by obtaining the soft documents of this **Samsung Hcr5245wx Xaa Tv Service Manual** by online. You might not require more become old to spend to go to the books inauguration as with ease as search for them. In some cases, you likewise reach not discover the statement Samsung Hcr5245wx Xaa Tv Service Manual that you are looking for. It will categorically squander the time.

However below, past you visit this web page, it will be as a result unconditionally simple to get as competently as download guide Samsung Hcr5245wx Xaa Tv Service Manual

It will not receive many grow old as we run by before. You can attain it even though decree something else at home and even in your workplace. as a result easy! So, are you question? Just exercise just what we manage to pay for below as competently as review **Samsung Hcr5245wx Xaa Tv Service Manual** what you with to read!

https://hersolutiongelbuy.com/files/detail/Download_PDFS/Philips_Htb9245d_Service_Manual_Repair_Guide.pdf

Table of Contents Samsung Hcr5245wx Xaa Tv Service Manual

1. Understanding the eBook Samsung Hcr5245wx Xaa Tv Service Manual
 - The Rise of Digital Reading Samsung Hcr5245wx Xaa Tv Service Manual
 - Advantages of eBooks Over Traditional Books
2. Identifying Samsung Hcr5245wx Xaa Tv Service Manual
 - Exploring Different Genres
 - Considering Fiction vs. Non-Fiction
 - Determining Your Reading Goals
3. Choosing the Right eBook Platform
 - Popular eBook Platforms
 - Features to Look for in an Samsung Hcr5245wx Xaa Tv Service Manual
 - User-Friendly Interface
4. Exploring eBook Recommendations from Samsung Hcr5245wx Xaa Tv Service Manual

- Personalized Recommendations
 - Samsung Hcr5245wx Xaa Tv Service Manual User Reviews and Ratings
 - Samsung Hcr5245wx Xaa Tv Service Manual and Bestseller Lists
5. Accessing Samsung Hcr5245wx Xaa Tv Service Manual Free and Paid eBooks
 - Samsung Hcr5245wx Xaa Tv Service Manual Public Domain eBooks
 - Samsung Hcr5245wx Xaa Tv Service Manual eBook Subscription Services
 - Samsung Hcr5245wx Xaa Tv Service Manual Budget-Friendly Options
 6. Navigating Samsung Hcr5245wx Xaa Tv Service Manual eBook Formats
 - ePub, PDF, MOBI, and More
 - Samsung Hcr5245wx Xaa Tv Service Manual Compatibility with Devices
 - Samsung Hcr5245wx Xaa Tv Service Manual Enhanced eBook Features
 7. Enhancing Your Reading Experience
 - Adjustable Fonts and Text Sizes of Samsung Hcr5245wx Xaa Tv Service Manual
 - Highlighting and Note-Taking Samsung Hcr5245wx Xaa Tv Service Manual
 - Interactive Elements Samsung Hcr5245wx Xaa Tv Service Manual
 8. Staying Engaged with Samsung Hcr5245wx Xaa Tv Service Manual
 - Joining Online Reading Communities
 - Participating in Virtual Book Clubs
 - Following Authors and Publishers Samsung Hcr5245wx Xaa Tv Service Manual
 9. Balancing eBooks and Physical Books Samsung Hcr5245wx Xaa Tv Service Manual
 - Benefits of a Digital Library
 - Creating a Diverse Reading Collection Samsung Hcr5245wx Xaa Tv Service Manual
 10. Overcoming Reading Challenges
 - Dealing with Digital Eye Strain
 - Minimizing Distractions
 - Managing Screen Time
 11. Cultivating a Reading Routine Samsung Hcr5245wx Xaa Tv Service Manual
 - Setting Reading Goals Samsung Hcr5245wx Xaa Tv Service Manual
 - Carving Out Dedicated Reading Time
 12. Sourcing Reliable Information of Samsung Hcr5245wx Xaa Tv Service Manual

- Fact-Checking eBook Content of Samsung Hcr5245wx Xaa Tv Service Manual
 - Distinguishing Credible Sources
13. Promoting Lifelong Learning
- Utilizing eBooks for Skill Development
 - Exploring Educational eBooks
14. Embracing eBook Trends
- Integration of Multimedia Elements
 - Interactive and Gamified eBooks

Samsung Hcr5245wx Xaa Tv Service Manual Introduction

In the digital age, access to information has become easier than ever before. The ability to download Samsung Hcr5245wx Xaa Tv Service Manual has revolutionized the way we consume written content. Whether you are a student looking for course material, an avid reader searching for your next favorite book, or a professional seeking research papers, the option to download Samsung Hcr5245wx Xaa Tv Service Manual has opened up a world of possibilities. Downloading Samsung Hcr5245wx Xaa Tv Service Manual provides numerous advantages over physical copies of books and documents. Firstly, it is incredibly convenient. Gone are the days of carrying around heavy textbooks or bulky folders filled with papers. With the click of a button, you can gain immediate access to valuable resources on any device. This convenience allows for efficient studying, researching, and reading on the go. Moreover, the cost-effective nature of downloading Samsung Hcr5245wx Xaa Tv Service Manual has democratized knowledge. Traditional books and academic journals can be expensive, making it difficult for individuals with limited financial resources to access information. By offering free PDF downloads, publishers and authors are enabling a wider audience to benefit from their work. This inclusivity promotes equal opportunities for learning and personal growth. There are numerous websites and platforms where individuals can download Samsung Hcr5245wx Xaa Tv Service Manual. These websites range from academic databases offering research papers and journals to online libraries with an expansive collection of books from various genres. Many authors and publishers also upload their work to specific websites, granting readers access to their content without any charge. These platforms not only provide access to existing literature but also serve as an excellent platform for undiscovered authors to share their work with the world. However, it is essential to be cautious while downloading Samsung Hcr5245wx Xaa Tv Service Manual. Some websites may offer pirated or illegally obtained copies of copyrighted material. Engaging in such activities not only violates copyright laws but also undermines the efforts of authors, publishers, and researchers. To ensure ethical downloading, it is advisable to utilize reputable websites that prioritize the legal distribution of content. When downloading Samsung Hcr5245wx Xaa Tv Service

Manual, users should also consider the potential security risks associated with online platforms. Malicious actors may exploit vulnerabilities in unprotected websites to distribute malware or steal personal information. To protect themselves, individuals should ensure their devices have reliable antivirus software installed and validate the legitimacy of the websites they are downloading from. In conclusion, the ability to download Samsung Hcr5245wx Xaa Tv Service Manual has transformed the way we access information. With the convenience, cost-effectiveness, and accessibility it offers, free PDF downloads have become a popular choice for students, researchers, and book lovers worldwide. However, it is crucial to engage in ethical downloading practices and prioritize personal security when utilizing online platforms. By doing so, individuals can make the most of the vast array of free PDF resources available and embark on a journey of continuous learning and intellectual growth.

FAQs About Samsung Hcr5245wx Xaa Tv Service Manual Books

What is a Samsung Hcr5245wx Xaa Tv Service Manual PDF? A PDF (Portable Document Format) is a file format developed by Adobe that preserves the layout and formatting of a document, regardless of the software, hardware, or operating system used to view or print it. **How do I create a Samsung Hcr5245wx Xaa Tv Service Manual PDF?** There are several ways to create a PDF: Use software like Adobe Acrobat, Microsoft Word, or Google Docs, which often have built-in PDF creation tools. Print to PDF: Many applications and operating systems have a "Print to PDF" option that allows you to save a document as a PDF file instead of printing it on paper. Online converters: There are various online tools that can convert different file types to PDF. **How do I edit a Samsung Hcr5245wx Xaa Tv Service Manual PDF?** Editing a PDF can be done with software like Adobe Acrobat, which allows direct editing of text, images, and other elements within the PDF. Some free tools, like PDFescape or Smallpdf, also offer basic editing capabilities. **How do I convert a Samsung Hcr5245wx Xaa Tv Service Manual PDF to another file format?** There are multiple ways to convert a PDF to another format: Use online converters like Smallpdf, Zamzar, or Adobe Acrobats export feature to convert PDFs to formats like Word, Excel, JPEG, etc. Software like Adobe Acrobat, Microsoft Word, or other PDF editors may have options to export or save PDFs in different formats. **How do I password-protect a Samsung Hcr5245wx Xaa Tv Service Manual PDF?** Most PDF editing software allows you to add password protection. In Adobe Acrobat, for instance, you can go to "File" -> "Properties" -> "Security" to set a password to restrict access or editing capabilities. Are there any free alternatives to Adobe Acrobat for working with PDFs? Yes, there are many free alternatives for working with PDFs, such as: LibreOffice: Offers PDF editing features. PDFsam: Allows splitting, merging, and editing PDFs. Foxit Reader: Provides basic PDF viewing and editing capabilities. How do I compress a PDF file? You can use online tools like Smallpdf, ILovePDF, or desktop software like Adobe

Acrobat to compress PDF files without significant quality loss. Compression reduces the file size, making it easier to share and download. Can I fill out forms in a PDF file? Yes, most PDF viewers/editors like Adobe Acrobat, Preview (on Mac), or various online tools allow you to fill out forms in PDF files by selecting text fields and entering information. Are there any restrictions when working with PDFs? Some PDFs might have restrictions set by their creator, such as password protection, editing restrictions, or print restrictions. Breaking these restrictions might require specific software or tools, which may or may not be legal depending on the circumstances and local laws.

Find Samsung Hcr5245wx Xaa Tv Service Manual :

philips htb9245d service manual repair guide

philips dvd player repair

photosynthesis what s in a leaf

[phylogeny and systematics answers chapter](#)

~~physics grade november 2013 review~~

phoenix bios beep codes 1 long beep

photography guide fifth edition

~~photoshop 7 users guide~~

philips projection tv repair

phonics workbook grade 2

photoshop certification review packet answers

photoshop 7 user guide

~~phonics blackline masters grade 2~~

photofunstudio 50 manual guide

photoshop 7 user guide in

Samsung Hcr5245wx Xaa Tv Service Manual :

word 2010 der umfassende ratgeber 9783842100084 abebooks - Jan 31 2023

web word 2010 der umfassende ratgeber at abebooks co uk isbn 10 3842100086 isbn 13 9783842100084 hardcover

[word 2010 der umfassende ratgeber](#) - Jan 19 2022

web word 2010 der umfassende ratgeber getting the books word 2010 der umfassende ratgeber now is not type of

challenging means you could not abandoned going next

word 2010 der umfassende ratgeber amazon co uk books - Mar 01 2023

web buy word 2010 der umfassende ratgeber by 9783842100084 from amazon uk s books shop free delivery on eligible orders

word 2010 der umfassende ratgeber amazon it - Oct 28 2022

web word 2010 der umfassende ratgeber peyton christine amazon it libri passa al contenuto principale it in consegna a roma 00185 accedi per aggiornare la tua

word 2010 der umfassende ratgeber amazon com tr - Aug 06 2023

web word 2010 der umfassende ratgeber peyton christine amazon com tr kitap Çerez tercihlerinizi seçin Çerez bildirimimizde detaylandırıldığı üzere satın alm yapmanızı

word 2010 der umfassende ratgeber zvak - Nov 28 2022

web word 2010 der umfassende ratgeber hardcover isbn 10 3842100086 isbn 13 9783842100084 zu dieser isbn ist aktuell kein angebot verfügbar alle exemplare der

microsoft word 2010 download von word 2010 microsoft office - Feb 17 2022

web mehr erfahren geben sie stets ihr bestes aktualisieren sie von ihrer word 2010 downloadversion auf microsoft 365 für privatanwender oder unternehmen um word an

word 2010 der umfassende ratgeber amazon de - Sep 07 2023

web das komplette word wissen auf mehr als 800 seiten vom einstieg über die gestaltung perfekter texte bis hin zur automatisierung mit vba dieser umfassende ratgeber ist

word 2010 der umfassende ratgeber - Jul 05 2023

web word 2010 der umfassende ratgeber christine peyton 5 0 5 0 0 comments download word 2010 der umfassende ratgeber book for free from z library request code

word 2010 der umfassende ratgeber pdf hipertexto - Mar 21 2022

web word 2010 der umfassende ratgeber pdf is available in our book collection an online access to it is set as public so you can get it instantly our book servers hosts in multiple

word 2010 der umfassende ratgeber vierfarben erste auflage - Sep 26 2022

web informations sur le titre word 2010 der umfassende ratgeber avec description sommaire et vérification de la disponibilité

word 2010 der umfassende ratgeber amazon de - Apr 02 2023

web word 2010 der umfassende ratgeber peyton christine amazon de books skip to main content de hello select your address

books select the department you want to

word 2010 der umfassende ratgeber pdf 6vbn3mave5f0 e - Oct 08 2023

web word 2010 der umfassende ratgeber page 2 liebe leserin lieber leser page 3 auf einen blick page 4 impressum page 5 inhalt page 6 teil i Überblick und umstieg page 38 1 1 die wichtigsten funktionen im Überblick page 40 1 2 neues in

word 2010 der umfassende ratgeber iberlibro com - May 23 2022

web word 2010 der umfassende ratgeber en iberlibro com isbn 10 3842100086 isbn 13 9783842100084 tapa dura
word 2010 der umfassende ratgeber booklooker - Aug 26 2022

web word 2010 der umfassende ratgeber bücher gebraucht antiquarisch neu kaufen preisvergleich käuferschutz wir bücher
word 2010 der umfassende ratgeber amazon - Jul 25 2022

web amazon word 2010 der umfassende ratgeber word 2010 der umfassende ratgeber von christine peyton
word 2010 der umfassende ratgeber von christine peyton - May 03 2023

web word 2010 der umfassende ratgeber finden sie alle bücher von peyton christine bei der büchersuchmaschine eurobuch com können sie antiquarische und neubücher

word 2010 der umfassende ratgeber pdf pdfdrive - Jun 04 2023

web read download pdf word 2010 der umfassende ratgeber by christine peyton update the latest version with high quality try now

word 2010 der umfassende ratgeber abebooks - Dec 30 2022

web word 2010 der umfassende ratgeber bei abebooks de isbn 10 3842100086 isbn 13 9783842100084 hardcover
microsoft word 2010 download chip - Apr 21 2022

web unser downloadlink verweist sie auf den windows iso downloader mit dem sie alle office 2010 programme dennoch herunterladen können alternative empfehlungen 30

microsoft word 2010 32 64 bit türkçe exe ve iso seçeneği - Nov 16 2021

web microsoft word 2010 belki de dünyanın en popüler sözcük işlemcisi word ayrıca microsoft office verimlilik paketindeki temel uygulamalardan biri microsoft word 2010

kostenlose anleitungen für office 2010 herunterladen - Jun 23 2022

web jan 14 2012 auch die office web apps werden von immer mehr anwendern eingesetzt falls sie auch die office web apps nutzen sollten sie also auch einen blick in diese

word 2010 der umfassende ratgeber store spiralny com - Dec 18 2021

web word 2010 der umfassende ratgeber 5 5 their lives to their development as managers in the workplace at the heart of the book is the idea of the individual engaged in a

le diaba te n est pas une fatalita c pra c ventio download - Jun 01 2022

web le diaba te n est pas une fatalita c pra c ventio when people should go to the ebook stores search establishment by shop shelf by shelf it is in point of fact problematic this is why we present the ebook compilations in this website it will utterly ease you to see guide le diaba te n est pas une fatalita c pra c ventio as you such as

le diaba te n est pas une fatalita c pra c ventio old vulkk - Dec 07 2022

web devenir ton meilleur ami un compagnon de lecture qui n est pas fait pour respecter les coutumes mais conna tre tes choix ce livre ne raconte pas l'histoire des autres mais la tienne ce livre a une valeur inestimable pour que m me le plus pauvre acc de degres la richesse le contenu de ce livre n est pas au programme scolaire la petite

le diaba te n est pas une fatalita c pra c ventio download - Aug 15 2023

web mémoires de l événement le diaba te n est pas une fatalita c pra c ventio downloaded from old cardiologiecentra nl by guest petty parsons language quarterly média diffusion the contribution of this collection to scholarship is fourfold it contributes to the expansion of knowledge about the african continent through a critic s

le diaba te n est pas une fatalita c pra c ventio pdf - Aug 03 2022

web may 19 2023 le diaba te n est pas une fatalita c pra c ventio 3 4 downloaded from uniport edu ng on may 19 2023 by guest patrimoine familial le jaliya ou l art du griot mandingue entre un père kèlè monson diabaté le grand conteur épique et son fils massa makan diabaté l écrivain malien le plus productif de sa génération

diénéba diakité diabira audio youtube - Feb 26 2022

web mar 14 2018 Écoutez l album entier sur youtube bit ly 2ny4knxÉcoutez tÉlÉchargez l album mali stars smarturl it jnrbbbs plus d infos sur l album a

le diaba te n est pas une fatalita c pra c ventio 2023 - Apr 11 2023

web le diaba te n est pas une fatalita c pra c ventio this is likewise one of the factors by obtaining the soft documents of this le diaba te n est pas une fatalita c pra c ventio by online you might not require more epoch to spend to go to the books foundation as with ease as search for them in some cases you likewise get

le diaba te n est pas une fatalita c pra c ventio pdf - Jun 13 2023

web mar 20 2023 le diaba te n est pas une fatalita c pra c ventio pdf is available in our digital library an online access to it is set as public so you can download it instantly

le diaba te n est pas une fatalita c pra c ventio giuseppe - Apr 30 2022

web jan 26 2023 le diaba te n est pas une fatalita c pra c ventio 2 16 downloaded from sfsupport2 solidfire com on by guest libraries around the world and other notations in the work this work is in the public domain in the united states of america and possibly other nations within the united states you may freely copy and distribute this work as

le diaba te n est pas une fatalita c pra c ventio pdf stuart - Jul 14 2023

web merely said the le diaba te n est pas une fatalita c pra c ventio pdf is universally compatible with any devices to read maxims and reflections ricordi francesco guicciardini 1965 review unlike machiavelli inveterate dreamer and cynic guicciardini s mind is remarkable for the balance and masterly coolness of its judgment federico

le diaba te n est pas une fatalita c pra c ventio pdf - Jan 08 2023

web le diaba te n est pas une fatalita c pra c ventio n 39 est ce pas wiktionary aug 05 2022 n 39 est ce pas used as an expression of affirmation after a statement often translated into english as a tag question bizarre n 39 est ce pas strange isn 39 t it further reading n 39 est ce pas in trésor de la

le diaba te n est pas une fatalita c pra c ventio 2022 - Oct 05 2022

web devenir ton meilleur ami un compagnon de lecture qui n est pas fait pour respecter les coutumes mais connaitre tes choix ce livre ne raconte pas l'histoire des autres mais la tienne ce livre a une valeur inestimable pour que même le plus pauvre accède à des degrés de la richesse le contenu de ce livre n est pas au programme scolaire

le diaba te n est pas une fatalita c pra c ventio download - Mar 10 2023

web la tour de ferrare cmj new music report le diaba te n est pas une fatalita c pra c ventio downloaded from ftp popcake com by guest efrain hurley diana von solange university of chicago press first published in 1970 routledge is an imprint of taylor francis an informa company mande music archipoche l illustration théâtrale

free le diaba te n est pas une fatalita c pra c ventio - May 12 2023

web le diaba te n est pas une fatalita c pra c ventio monde primitif analysé et comparé avec le monde moderne aug 12 2023 theologia dogmatica et moralis secundum ordinem catechismi concilii tridentini auctore fr natali alexandro jun 05 2020 magnum lexicon novissimum latinum et lusitanum ad normam præcipue magni lexic

balla diabate d music instagram - Nov 06 2022

web 182k followers 1 752 following ballaba toumani diabateba issue de la 72e génération de koriste de la famille diabate label diabatebamusic1 le titre paris bamako

le diaba te n est pas une fatalita c pra c ventio pdf ftp - Mar 30 2022

web 4 le diaba te n est pas une fatalita c pra c ventio 2019 10 13 ma coloc diana pour me remonter le moral grâce à elle ma vie ressemble davantage à sex in the city qu'aux sopranos jusqu'à présent je me suis contentée de nos fous rires de nos soirées in à manhattan et de nos festins dans mon restaurant au fait c est moi

le diaba te n est pas une fatalita c pra c ventio uniport edu - Jul 02 2022

web jun 28 2023 le diaba te n est pas une fatalita c pra c ventio 2 3 downloaded from uniport edu ng on june 28 2023 by guest fanfaron se dessine peu peu la figure grave et pathétique d un homme blessé auquel la conversion de l islam donna

finalement sa véritable stature massive, le lieu traditionnel de formation des griots

deuil didier drogba pleure sa tante - Dec 27 2021

web dec 18 2021 après avoir emporté la mère des frères keita il y a peu de temps la grande faucheuse s'est manifestée une nouvelle fois en effet la tante de l'ancien capitaine des éléphants a quitté le monde des vivants dans un post sur ses réseaux sociaux didier drogba a annoncé la nouvelle et a tenu à rendre un vibrant hommage à sa tata

le diabète n est pas une fatalité prévention et prise en - Sep 04 2022

web chronique de diaba le mariage n'est pas qu'un simple mot diaba sora déclare sa flamme alassane ouattara chronique de diaba le mariage n'est pas qu'un simple mot may 1st 2020 diaba sora ne blague pas hein ko 200 millions mais est ce que pour leïla la cousine de kankou moussa n'est pas plus gros on attend de te voir avec à

le diaba te n'est pas une fatalité c'est la prévention download - Feb 09 2023

web 2 le diaba te n'est pas une fatalité c'est la prévention 2021 11 11 le diaba te n'est pas une fatalité c'est la prévention downloaded from old talentsprint.com by guest cowan donna passion secrète harlequin horizon university of chicago press situating literature and anthropology in mutual interrogation miller's book actually performs what

accident l'épouse du défunt dr baba diagne est seneweb - Jan 28 2022

web aug 25 2023 accident l'épouse du défunt dr baba diagne est finalement décédée ces faits sont survenus à la suite d'un accident sur la route de saint louis précisément à hauteur du village de

gus van sant icons gus van sant matthieu orléan - May 01 2022

web hardcover presents the full range of the filmmaker's artistry photography painting and music through the optic of his films this work also explores the work of other artists whose heritage gus van sant believes he is continuing heritage beat pop rock and experimental filmmakers writers and visual artists like william burroughs and ed ruscha num

gus van sant icons stylezeitgeist - Feb 10 2023

web jul 29 2016 gus van sant icons actes sud cinemathèque française all images courtesy of the publisher author eugene rabkin sz mag.com eugene rabkin is the founder of stylezeitgeist.com he has contributed articles on fashion and culture to the business of fashion vogue russia buro247 the haaretz daily newspaper and

gus van sant icons gus van sant amazon.com au books - Dec 08 2022

web gus van sant icons hardcover 10 october 2016 by gus van sant author 13 ratings see all formats and editions hardcover from 53 20 1 used from 82 01 14 new from 53 20 this reference work presents the full range of the filmmaker's artistry photography painting and music through the optic of his films

gus van sant icons brings director's vision to life - Mar 11 2023

web jun 10 2016 gus van sant icons is a new book that provides unfettered access from the man responsible for films such

as good will hunting milk my own private idaho and drugstore cowboy readers get an unfiltered account of

gus van sant icons the book of hov - May 13 2023

web gus van sant icons offers insight into the world of filmmaker gus van sant published on the occasion of a major exhibition at the cinémathèque française in paris this comprehensive monograph surveys the full range of van sant s artistry from photography and painting to music filtered through the perspective of his films

[gus van sant icons hardcover 4 august 2016 amazon in](#) - Mar 31 2022

web amazon in buy gus van sant icons book online at best prices in india on amazon in read gus van sant icons book reviews author details and more at amazon in free delivery on qualified orders

gus van sant icons amazon com - Aug 16 2023

web jun 28 2016 gus van sant icons offers insight into the world of filmmaker gus van sant published on the occasion of a major exhibition at the cinémathèque française in paris this comprehensive monograph surveys the full range of van sant s artistry from photography and painting to music filtered through the perspective of his films

gus van sant icons rizzoli bookstore - Aug 04 2022

web jun 1 2016 from drugstore cowboy to sea of trees van sant is both indie auteur and hollywood subversive gus van sant icons offers insight into the world of filmmaker gus van sant published on the occasion of a major exhibition at

[gus van sant s young hollywood icons revisited the cut](#) - Apr 12 2023

web jun 26 2016 gus van sant s young hollywood icons revisited by danielle cohen 15 photos american filmmaker gus van sant is best known as a director his oeuvre includes good will hunting and the iconic 2008 biopic milk not to mention a 1998 remake of psycho starring vince vaughn

[see gus van sant s major muses in his new icons book artnet news](#) - Sep 05 2022

web jun 28 2016 andy warhol used his screen tests to reveal the stars and anti stars of alternative america matthieu orléan writes in the new book gus van sant icons he continues gus van sant has

[gus van sant icons hardcover 4 aug 2016 amazon co uk](#) - Jan 09 2023

web gus van sant gus van sant icons hardcover 4 aug 2016 by matthieu orléan editor 4 9 15 ratings see all formats and editions

gus van sant icons by gus van sant hardcover barnes noble - Nov 07 2022

web jun 28 2016 from drugstore cowboy to sea of trees van sant is both indie auteur and hollywood subversive gus van sant icons offers

gus van sant icons river phoenix by bruce weber - Jun 02 2022

web jul 10 2016 gus van sant icons this 1991 photograph of river phoenix is part of a series by bruce weber shot to promote

gus van sant s haunting early masterpiece my own private idaho

gus van sant icons by matthieu orléan goodreads - Jun 14 2023

web the heart of gus van sant icons is a previously unpublished interview with van sant conducted in portland in june 2015 by matthieu orleans the exhibition s curator in a wide ranging conversation the two men discuss the whole

[icymi pride picks new queer cinema icons gus van sant and](#) - Feb 27 2022

web jun 22 2022 on june 11 2020 film independent was thrilled to host a very special coffee talk chat between new queer cinema icons and pals gus van sant my own private idaho milk and john cameron mitchell hedwig and the angry inch shortbus who got together over video chat

[gus van sant icons monrowe magazine](#) - Oct 06 2022

web jun 27 2016 published by actes sud the heavy art book gus van sant icons offers an in depth view of the iconic filmmaker s artistic process a process dedicated to moments of solitude introspection and transcendence

gus van sant icons alibris - Jan 29 2022

web buy gus van sant icons by gus van sant matthieu orleans contributions by online at alibris we have new and used copies available in 1 editions starting at 26 17 shop now

[gus van sant icons artbook d a p](#) - Jul 15 2023

web gus van sant icons offers insight into the world of filmmaker gus van sant published on the occasion of a major exhibition at the cinémathèque française in paris this comprehensive monograph surveys the full range of van sant s artistry from photography and painting to music filtered through the perspective of his films

[read download gus van sant icons pdf pdf download](#) - Dec 28 2021

web read online gus van sant icons and download gus van sant icons book full in pdf formats search results for gus van sant icons pdf download pdf download

pdf gus van sant icons studylib net - Jul 03 2022

web matthieu orlean gus van sant 208 pages 28 jul 2016 actes sud 9782330060763 english arles france gus van sant icons length 56 cm customer service this comprehensive monograph surveys the full range of van sant s artistry from photography and painting to music filtered through the perspective of his films