



Refrigerator Compressor Parts

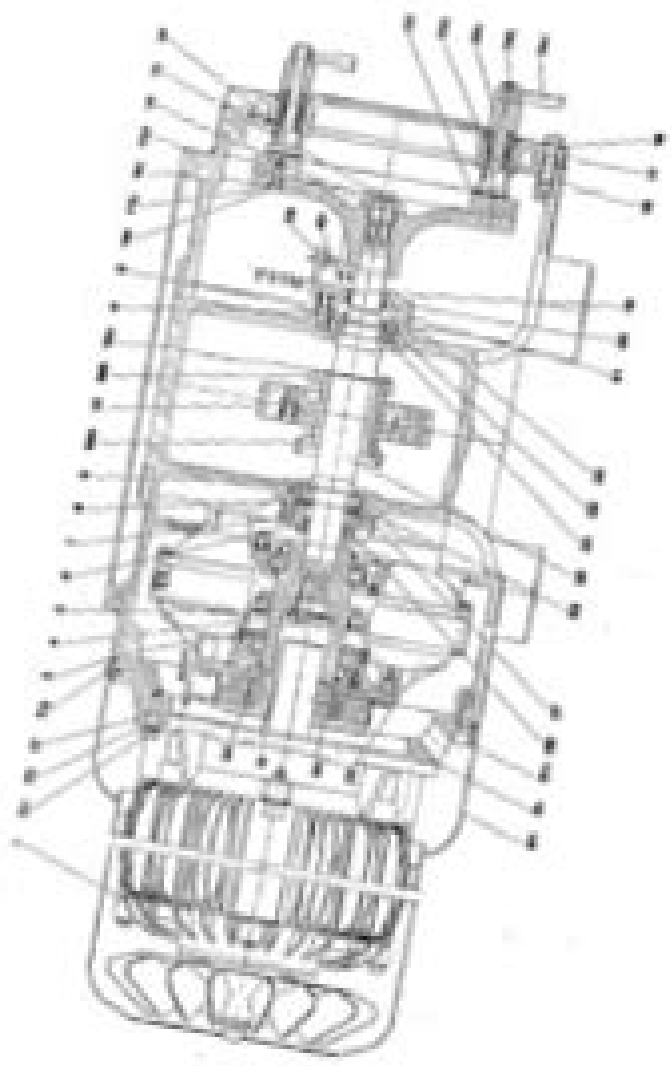


Fig. 10

Westfalia Separator Decanter Service Manual

DJ Losen



Westfalia Separator Decanter Service Manual:

Decanter Centrifuge Handbook A. Records, K Sutherland, 2001-03-02 Scope of Publication A reference work for process designers and users of decanters this book aims to bridge the information gap in this field that between academic theory promoted in student textbooks and case study data in manufacturers sales literature Design It includes information on design and specification preparing the reader to select and correctly size equipment Purchase As a design or project engineer working with vendors to make final equipment selection this work provides the readers with the full facts before they start talking to product vendors Supply In an environment of industry consolidation the handbook allows you to track suppliers old and new providing a basis on which users can find the new relevant company for the parts service he she wishes to purchase Operation Once an equipment purchase is made the user needs to be made aware of how to optimally operate decanters The *Decanter Centrifuge Handbook* covers relevant process operating issues such as instrumentation and control and the use of flocculents

Handbook of Food Products Manufacturing, 2 Volume Set Nirmal K. Sinha, 2007-04-27 The Handbook of Food Products Manufacturing is a definitive master reference providing an overview of food manufacturing in general and then covering the processing and manufacturing of more than 100 of the most common food products With editors and contributors from 24 countries in North America Europe and Asia this guide provides international expertise and a truly global perspective on food manufacturing

Handbook of Methods and Instrumentation in Separation Science, 2009-11-11 Handbook of Methods and Instrumentation in Separation Science Volume 1 provides concise overviews and summaries of the main methods used for separation It is based on the Encyclopedia of Separation Science The handbook focuses on the principles of methods and instrumentation It provides general concepts concerning the subject matter it does not present specific procedures This volume discusses the separation processes including affinity methods analytical ultracentrifugation centrifugation chromatography and use of decanter centrifuge and dye Each methodology is defined and compared with other separation processes It also provides specific techniques principles and theories concerning each process Furthermore the handbook presents the applications benefits and validation of the processes described in this book This handbook is an excellent reference for biomedical researchers environmental and production chemists flavor and fragrance technologists food and beverage technologists academic and industrial librarians and nuclear researchers Students and novices will also find this handbook useful for practice and learning One stop source for information on separation methods General overviews for quick orientation Ease of use for finding results fast Expert coverage of major separation methods Coverage of techniques for all sizes of samples pico level to kilo level

Kent and Riegel's Handbook of Industrial Chemistry and Biotechnology James A. Kent, 2010-05-27 Substantially revising and updating the classic reference in the field this handbook offers a valuable overview and myriad details on current chemical processes products and practices No other source offers as much data on the chemistry engineering economics and infrastructure of the industry The Handbook serves

a spectrum of individuals from those who are directly involved in the chemical industry to others in related industries and activities It provides not only the underlying science and technology for important industry sectors 30 of the book s 38 chapters but also broad coverage of critical supporting topics Industrial processes and products can be much enhanced through observing the tenets and applying the methodologies found in new chapters on Green Engineering and Chemistry Practical Catalysis and Environmental Measurements as well as expanded treatment of Safety and Emergency Preparedness Understanding these factors allows them to be part of the total process and helps achieve optimum results in for example process development review and modification Other new chapters include Nanotechnology Environmental Considerations in Facilities Planning Biomass Utilization Industrial Microbial Fermentation Enzymes and Biocatalysis the Nuclear Industry and History of the Chemical Industry

Processing Fruits Laszlo Somogyi, Diane M. Barrett, Y. H. Hui, 1996-05-31 This Publication presents information about the latest developments in fruit processing Volume 2 covers the important processed fruit and nut commodities and discusses the process technologies applied to them The reader will find representative examples for each major fruit category including pome fruits drupe fruits grapes and other berries citrus and other tropical and subtropical fruits oil fruits and nuts The global character of the fruit industry is confirmed by the participation of contributing authors from six countries each of the authors has first hand academic research or industrial experience related to their topics We have made a concerted effort to provide the reader with comprehensive and current information on a wide variety of fruits and processes

Handbook of Industrial Chemistry and Biotechnology James A. Kent, Tilak V. Bommaraju, Scott D. Barnicki, 2017-08-01 This widely respected and frequently consulted reference work provides a wealth of information and guidance on industrial chemistry and biotechnology Industries covered span the spectrum from salt and soda ash to advanced dyes chemistry the nuclear industry the rapidly evolving biotechnology industry and most recently electrochemical energy storage devices and fuel cell science and technology Other topics of surpassing interest to the world at large are covered in chapters on fertilizers and food production pesticide manufacture and use and the principles of sustainable chemical practice referred to as green chemistry Finally considerable space and attention in the Handbook are devoted to the subjects of safety and emergency preparedness It is worth noting that virtually all of the chapters are written by individuals who are embedded in the industries whereof they write so knowledgeably

Fats and Oils Handbook (Nahrungsfette und Öle) Michael Bockisch, 2015-08-13 Fats and Oils Handbook Nahrungsfette und Öle acknowledges the importance of fats and oils and surveys today s state of the art technology To pursue food technology without knowing the raw material would mean working in a vacuum This book describes the raw materials predominantly employed and the spectrum of processes used today It is the updated and revised English version of Nahrungsfette und Öle originally printed in German It contains 283 tables 647 figures and over 850 references If you can afford only one book on oils and fats their composition processing and use then this should probably be the one Presents details on the composition chemistry and

processes of the major fats and oils used today Includes hundreds of illustrations and tables making the concepts easier to read and grasp Acknowledges the importance of fats and oils offers details on relevant technologies

Solid-Liquid Separation Ladislav Svarovsky,2013-10-22 Solid Liquid Separation compiles a compact and coherent structure of contributions regarding solid liquid separation This book comprises chapters on basic fundamentals principles and equipment as well as on various important aspects of solid liquid separation such as filter aids washing and flocculation Other topics include characterization of particles suspended in liquids efficiency of separation of particles from fluids separation by centrifugal sedimentation pressure filtration cake dewatering and selection of solid liquid separation equipment This publication is useful to chemical engineers and process engineers particularly those in plant operation plant design or equipment testing and commissioning This selection can also be used as a textbook for teaching in undergraduate postgraduate and post experience courses

Riegel's Handbook of Industrial Chemistry James A. Kent,2012-12-06 The aim of this book is to present in a single volume an up to date account of the chemistry and chemical engineering which underlie the major areas of the chemical process industry This most recent edition includes several new chapters which comprise important threads in the industry s total fabric These new chapters cover waste minimization safety considerations in chemical plant design and operation emergency response planning and statistical applications in quality control and experimental planning Together with the chapters on chemical industry economics and wastewater treatment they provide a unifying base on which the reader can most effectively apply the information provided in the chapters which describe the various areas of the chemical process industries The ninth edition of this established reference work contains the contributions of some fifty experts from industry government and academe I have been humbled by the breadth and depth of their knowledge and expertise and by the willingness and enthusiasm with which they shared their knowledge and insights They have without exception been unstinting in their efforts to make their respective chapters as complete and informative as possible within the space available Errors of omission duplication and shortcomings in organization are mine Grateful acknowledgment is made to the editors of technical journals and publishing houses for permission to reproduce illustrations and other materials and to the many industrial concerns which contributed drawings and photographs Comments and criticisms by readers will be welcome

Thomas Register of American Manufacturers ,2002 This basic source for identification of U S manufacturers is arranged by product in a large multi volume set Includes Products services Company profiles and Catalog file

Isolation and Purification of Proteins Rajni Hatti-Kaul,Bo Mattiasson,2003-02-05 This publication details the isolation of proteins from biological materials techniques for solid liquid separation concentration crystallization chromatography scale up process monitoring product formulation and regulatory and commercial considerations in protein production The authors discuss the release of protein from a biological host

2005 Thomas Register ,2005 **Food Technology in Australia** ,1980 World Fishing ,1980 Biopolymers and Their Industrial

Applications Sabu Thomas, Sreeraj Gopi, Augustine Amalraj, 2020-10-31 Biopolymers and Their Industrial Applications From Plant Animal and Marine Sources to Functional Products is a detailed guide to the use of biopolymers for advanced applications across a range of key industries. In terms of processing and cost, bio-based polymers are becoming increasingly viable for an ever-broadening range of novel industrial applications. The book begins with an overview of biopolymers, explaining resources, demands, sustainability, life cycle assessment, LCA modeling and simulation, and classifications. Further in depth, chapters explore the latest techniques and methodologies for isolation and physicochemical characterization, materials selection and processing for blends and composites. Chapters 6 to 14 each focus on the preparation and applications of biopolymers in a specific industrial area, including food science and nutraceuticals, medicine and pharmaceuticals, textiles, cosmeceutical packaging, adhesives, and automotive 3D printing, super capacitor and energy storage devices, and environmental applications. The final chapter compares and analyzes biopolymers alongside synthetic polymers, also offering valuable insight into social, economic, and environmental aspects. This is an essential resource for those seeking to understand research or utilize biopolymers in industrial applications. This includes researchers, scientists, and advanced students working in biopolymers, polymer science, polymer chemistry, biomaterials, materials science, nanotechnology, composites, and biotechnology. This is a highly valuable book for scientists, R & D professionals, designers, and engineers across multiple industries and disciplines who are looking to utilize biopolymers for components and products. Introduces a broad range of industrial application areas, including food, medicine, textiles, cosmetics, packaging, automotive, 3D printing, energy, and more. Offers an industry-oriented approach, addressing challenges and explaining the preparation and application of biopolymers for functional products and parts. Considers important factors such as resources, classification, sustainability, and life cycle assessment, LCA modeling and simulation. Compares and analyzes biopolymers alongside synthetic polymers, also offering valuable insight into social, economic, and environmental aspects.

Bioprocess Technology Mr. Rohit Manglik, 2024-01-12 EduGorilla Publication is a trusted name in the education sector, committed to empowering learners with high-quality study materials and resources. Specializing in competitive exams and academic support, EduGorilla provides comprehensive and well-structured content tailored to meet the needs of students across various streams and levels.

Encyclopedia of Dairy Sciences, 2011-03-25 Dairy Science Four Volume Set includes the study of milk and milk-derived food products, examining the biological, chemical, physical, and microbiological aspects of milk itself, as well as the technological processing aspects of the transformation of milk into its various consumer products, including beverages, fermented products, concentrated and dried products, butter, and ice cream. This new edition includes information on the possible impact of genetic modification of dairy animals, safety concerns of raw milk and raw milk products, peptides in milk, dairy-based allergies, packaging, and shelf life, and other topics of importance and interest to those in dairy research and industry. Fully reviewed, revised, and updated with the latest developments in Dairy Science. Full-color inserts in each volume illustrate key concepts. Extended index for

easily locating information *International Biotechnology Directory* J. Coombs, Y.R. Alston, 2016-01-07 This directory provides the reader with quick access to information on more than 8000 companies research centres and academic institutions involved in new and established technologies This edition offers more than 600 all new organization listings including new listings in Europe **Oceanic Abstracts with Indexes** ,1980 Chilton's Food Engineering ,1998

Right here, we have countless books **Westfalia Separator Decanter Service Manual** and collections to check out. We additionally find the money for variant types and along with type of the books to browse. The conventional book, fiction, history, novel, scientific research, as competently as various supplementary sorts of books are readily available here.

As this Westfalia Separator Decanter Service Manual, it ends in the works creature one of the favored ebook Westfalia Separator Decanter Service Manual collections that we have. This is why you remain in the best website to see the amazing book to have.

https://hersolutiongelbuy.com/public/detail/Download_PDFS/Welder_Continuity_Log_Guide.pdf

Table of Contents Westfalia Separator Decanter Service Manual

1. Understanding the eBook Westfalia Separator Decanter Service Manual
 - The Rise of Digital Reading Westfalia Separator Decanter Service Manual
 - Advantages of eBooks Over Traditional Books
2. Identifying Westfalia Separator Decanter Service Manual
 - Exploring Different Genres
 - Considering Fiction vs. Non-Fiction
 - Determining Your Reading Goals
3. Choosing the Right eBook Platform
 - Popular eBook Platforms
 - Features to Look for in an Westfalia Separator Decanter Service Manual
 - User-Friendly Interface
4. Exploring eBook Recommendations from Westfalia Separator Decanter Service Manual
 - Personalized Recommendations
 - Westfalia Separator Decanter Service Manual User Reviews and Ratings
 - Westfalia Separator Decanter Service Manual and Bestseller Lists
5. Accessing Westfalia Separator Decanter Service Manual Free and Paid eBooks

- Westfalia Separator Decanter Service Manual Public Domain eBooks
 - Westfalia Separator Decanter Service Manual eBook Subscription Services
 - Westfalia Separator Decanter Service Manual Budget-Friendly Options
6. Navigating Westfalia Separator Decanter Service Manual eBook Formats
 - ePub, PDF, MOBI, and More
 - Westfalia Separator Decanter Service Manual Compatibility with Devices
 - Westfalia Separator Decanter Service Manual Enhanced eBook Features
 7. Enhancing Your Reading Experience
 - Adjustable Fonts and Text Sizes of Westfalia Separator Decanter Service Manual
 - Highlighting and Note-Taking Westfalia Separator Decanter Service Manual
 - Interactive Elements Westfalia Separator Decanter Service Manual
 8. Staying Engaged with Westfalia Separator Decanter Service Manual
 - Joining Online Reading Communities
 - Participating in Virtual Book Clubs
 - Following Authors and Publishers Westfalia Separator Decanter Service Manual
 9. Balancing eBooks and Physical Books Westfalia Separator Decanter Service Manual
 - Benefits of a Digital Library
 - Creating a Diverse Reading Collection Westfalia Separator Decanter Service Manual
 10. Overcoming Reading Challenges
 - Dealing with Digital Eye Strain
 - Minimizing Distractions
 - Managing Screen Time
 11. Cultivating a Reading Routine Westfalia Separator Decanter Service Manual
 - Setting Reading Goals Westfalia Separator Decanter Service Manual
 - Carving Out Dedicated Reading Time
 12. Sourcing Reliable Information of Westfalia Separator Decanter Service Manual
 - Fact-Checking eBook Content of Westfalia Separator Decanter Service Manual
 - Distinguishing Credible Sources
 13. Promoting Lifelong Learning
 - Utilizing eBooks for Skill Development

- Exploring Educational eBooks
- 14. Embracing eBook Trends
 - Integration of Multimedia Elements
 - Interactive and Gamified eBooks

Westfalia Separator Decanter Service Manual Introduction

Free PDF Books and Manuals for Download: Unlocking Knowledge at Your Fingertips In today's fast-paced digital age, obtaining valuable knowledge has become easier than ever. Thanks to the internet, a vast array of books and manuals are now available for free download in PDF format. Whether you are a student, professional, or simply an avid reader, this treasure trove of downloadable resources offers a wealth of information, conveniently accessible anytime, anywhere. The advent of online libraries and platforms dedicated to sharing knowledge has revolutionized the way we consume information. No longer confined to physical libraries or bookstores, readers can now access an extensive collection of digital books and manuals with just a few clicks. These resources, available in PDF, Microsoft Word, and PowerPoint formats, cater to a wide range of interests, including literature, technology, science, history, and much more. One notable platform where you can explore and download free Westfalia Separator Decanter Service Manual PDF books and manuals is the internet's largest free library. Hosted online, this catalog compiles a vast assortment of documents, making it a veritable goldmine of knowledge. With its easy-to-use website interface and customizable PDF generator, this platform offers a user-friendly experience, allowing individuals to effortlessly navigate and access the information they seek. The availability of free PDF books and manuals on this platform demonstrates its commitment to democratizing education and empowering individuals with the tools needed to succeed in their chosen fields. It allows anyone, regardless of their background or financial limitations, to expand their horizons and gain insights from experts in various disciplines. One of the most significant advantages of downloading PDF books and manuals lies in their portability. Unlike physical copies, digital books can be stored and carried on a single device, such as a tablet or smartphone, saving valuable space and weight. This convenience makes it possible for readers to have their entire library at their fingertips, whether they are commuting, traveling, or simply enjoying a lazy afternoon at home. Additionally, digital files are easily searchable, enabling readers to locate specific information within seconds. With a few keystrokes, users can search for keywords, topics, or phrases, making research and finding relevant information a breeze. This efficiency saves time and effort, streamlining the learning process and allowing individuals to focus on extracting the information they need. Furthermore, the availability of free PDF books and manuals fosters a culture of continuous learning. By removing financial barriers, more people can access educational resources and pursue lifelong learning, contributing to personal growth and professional development. This democratization of knowledge promotes

intellectual curiosity and empowers individuals to become lifelong learners, promoting progress and innovation in various fields. It is worth noting that while accessing free Westfalia Separator Decanter Service Manual PDF books and manuals is convenient and cost-effective, it is vital to respect copyright laws and intellectual property rights. Platforms offering free downloads often operate within legal boundaries, ensuring that the materials they provide are either in the public domain or authorized for distribution. By adhering to copyright laws, users can enjoy the benefits of free access to knowledge while supporting the authors and publishers who make these resources available. In conclusion, the availability of Westfalia Separator Decanter Service Manual free PDF books and manuals for download has revolutionized the way we access and consume knowledge. With just a few clicks, individuals can explore a vast collection of resources across different disciplines, all free of charge. This accessibility empowers individuals to become lifelong learners, contributing to personal growth, professional development, and the advancement of society as a whole. So why not unlock a world of knowledge today? Start exploring the vast sea of free PDF books and manuals waiting to be discovered right at your fingertips.

FAQs About Westfalia Separator Decanter Service Manual Books

How do I know which eBook platform is the best for me? Finding the best eBook platform depends on your reading preferences and device compatibility. Research different platforms, read user reviews, and explore their features before making a choice. Are free eBooks of good quality? Yes, many reputable platforms offer high-quality free eBooks, including classics and public domain works. However, make sure to verify the source to ensure the eBook credibility. Can I read eBooks without an eReader? Absolutely! Most eBook platforms offer web-based readers or mobile apps that allow you to read eBooks on your computer, tablet, or smartphone. How do I avoid digital eye strain while reading eBooks? To prevent digital eye strain, take regular breaks, adjust the font size and background color, and ensure proper lighting while reading eBooks. What the advantage of interactive eBooks? Interactive eBooks incorporate multimedia elements, quizzes, and activities, enhancing the reader engagement and providing a more immersive learning experience. Westfalia Separator Decanter Service Manual is one of the best book in our library for free trial. We provide copy of Westfalia Separator Decanter Service Manual in digital format, so the resources that you find are reliable. There are also many Ebooks of related with Westfalia Separator Decanter Service Manual. Where to download Westfalia Separator Decanter Service Manual online for free? Are you looking for Westfalia Separator Decanter Service Manual PDF? This is definitely going to save you time and cash in something you should think about.

Find Westfalia Separator Decanter Service Manual :

welder continuity log guide

west bend automatic bread and dough maker 41065 manual

what cpa no 68 of 2009

westinghouse gas turbine maintenance manual

westwood t110service manual

westinghouse tv user guide

wellcom a88 manual

what do i know people politics and the arts

west transformed study guide answers

welding qms manual

~~wen to apply fr september 2015intake in egerton university~~

west bend slow cooker instruction manual

~~western digital passport manual~~

west systems user manual

~~western digital service manual~~

Westfalia Separator Decanter Service Manual :

commentaries on the laws of england in four books - Jan 24 2023

vol 1 of blackstone s commentaries on the laws of england rights of persons based on the first edition together with the most material corrections and additions in the second edition

commentaries on the laws of england wikisource - Nov 21 2022

jan 9 2014 even today the u s supreme court frequently cites blackstone when interpreting the constitution book 1 of blackstone s commentaries looks at the rights of people

oxford edition of blackstone commentaries on the laws of - Aug 19 2022

blackstone s commentaries a series of lectures delivered by the english jurist sir william blackstone at oxford in 1753 and published as commentaries on the laws of england in

commentaries on the laws of england vol 1 rights of persons - Sep 19 2022

commentaries on the laws of england a facsimile of the first edition of 1765 1769 vol 1 william blackstone 4 06 81 ratings6

reviews sir william blackstone s commentaries on the

blackstone s commentaries on the laws of england - Feb 22 2023

his most influential work the commentaries on the laws of england was published between 1765 and 1769 and consisted of four books of the rights of persons dealt with family and

commentaries on the laws of england book 2 of the rights of - Jan 12 2022

the online library of liberty - Oct 01 2023

commentaries on the laws of england vol 1 the rights of persons 1765 and vol 2 the rights of things 1766 sir william blackstone 1765 and 1766 summary

commentaries on the laws of england volume 1 the - May 28 2023

blackstone s commentaries on the laws of england book the first chapter the first of the absolute rights of individuals

blackstone contents p 116 p 117 commentaries on

blackstone s commentaries on the laws of england lonang - Dec 23 2022

the oxford edition of blackstone commentaries on the laws of england vol 1 of the rights of persons david lemmings ed publisher oxford university press the oxford edition of

commentaries on the laws of england vol 1 the rights of - Jul 30 2023

university of chicago press nov 15 1979 law 495 pages sir william blackstone s commentaries on the laws of england 1765 1769 stands as the first great effort to reduce

commentaries on the laws of england a facsimile of - Mar 14 2022

commentaries on the laws of england - Feb 10 2022

william blackstone commentaries on the laws of england vol 1 - May 16 2022

commentaries on the laws of england a facsimile of the - Apr 14 2022

commentaries on the laws of england volume i - Aug 31 2023

the rights of persons is the first volume in the four part series that is the commentaries divided into 18 chapters it is largely concerned with the rights of individuals the rights of parliament the rights and title of the king the royal family the councils belonging to the king kingly duties the royal prerogative the king s revenue subordinate magistrates the people aliens

denizens and natives the rights of the clergy the civil state the military and maritime states the relationship

commentaries on the laws of england wikipedia - Jun 28 2023

section the first on the study of law section the second of the nature of laws in general section the third of the laws of england section the fourth of the countries subject to

commentaries on the laws of england volume 1 - Apr 26 2023

sect 1 on the study of the law sect 2 of the nature of laws in general sect 3 of the laws of england sect 4 of the countries subject to the laws of england book 1 rights of

commentaries on the laws of england book 1 the rights of - Jun 16 2022

commentary 1 this provision defining the scope of the present 46 hackworth s digest of international law vol iv p 467 47 1962 and 5 drafts article 6 britain s right to regulate

draft articles on the law of treaties with commentaries 1966 - Dec 11 2021

commentaries on the laws of england vol 1 rights - Jul 18 2022

dec 7 2022 volume 90 1 01 chapter 1 of property in general part 1 17 34 2 02 chapter 1 of property in general part 2 19 08 3 03 chapter 2 of real property and first of

commentaries on the laws of england work by blackstone - Oct 21 2022

1 excerpt william blackstone commentaries on the laws of england vol 1 oxford clarendon press 1765 facsimile version legal classics library 1983 some have divided the common

blackstone s commentaries on the laws of england - Mar 26 2023

apr 24 2021 blackstone s commentaries were long regarded as the leading work on the development of english law and played a role in the development of the american legal

chapter 4 database processing flashcards quizlet - Apr 11 2023

web verified answer chemistry astatine is the rarest naturally occurring element with 219 at appearing as the product of a very minor side branch in the decay of 235 u itself not a very abundant isotope

chapter 4 database processing flashcards quizlet - Feb 09 2023

web forms reports queries and application programs for processing a database a database can be processed by many different ones

fifteenth edition database processing pearson - Jan 08 2023

web chapter 7 sql for database construction and application processing 324 chapter 8 database redesign 424 part 4

multiuser database processing 453 chapter 9 managing multiuser databases 454 chapter 10 managing databases with

microsoft sql server 2017 oracle database and mysql 5 7 490 online chapter see page 495 for

pdf chapter 4 solution manual database systems design - May 12 2023

web a use case is a description of a sequence of actions constituting a complete task or transaction in an application use cases were first proposed by jacobson 1987 and have since been incorporated as one of the key modeling constructs in the uml booch jacobson rumbaugh 1999 and the unified software development

solved chapter 4 problem 43pq solution database processing - Sep 04 2022

web access database processing 14th edition chapter 4 problem 43pq solution now our solutions are written by chegg experts so you can be assured of the highest quality

chapter 4 data and databases information systems for - Jul 02 2022

web part i what is an information system chapter 4 data and databases learning objectives upon successful completion of this chapter you will be able to describe the differences between data information and knowledge describe why database technology must be used for data resource management

ch4 database processing flashcards quizlet - Dec 07 2022

web an international standard language for processing a database database administration dba the management development operation and maintenance of the database so as to achieve the organization s objectives

database processing chapter 4 1 slideey com - Apr 30 2022

web mar 15 2023 database processing chapter 4 1 learning objectives know the purpose of database processing list the components of a database system understand important database terms know the elements of the entity relationship model understand the general nature of database design recognize the need for and know

database processing chapter 4 flashcards and study sets quizlet - Jun 13 2023

web learn database processing chapter 4 with free interactive flashcards choose from 500 different sets of database processing chapter 4 flashcards on quizlet

concepts of database management 9th edition starks test bank - Jan 28 2022

web apr 21 2020 page 4 chapter 01 introduction to database management b each entity is stored as an attribute c each entity is stored as a table d each entity is stored as a column answer points difficulty

query processing database questions and answers - Feb 26 2022

web many to one relationship 7 a table can be logically connected to another table by defining a a super key b candidate key c primary key d unique key 8 if the state of the database no longer reflects a real state of the world that the database is supposed to capture then such a state is called

itm chapter 4 database processing flashcards quizlet - Mar 10 2023

web a self describing collection of integrated records a database tables or files relationships among rows in those tables metadata that describes the structure of the database

database processing ch 4 notes cs 221 studocu - Nov 06 2022

web 1 4 week 1 short responses a p 1 lab exercise 1 lab worksheet psychology 101 notes chapter 2 notes myers ap psychology notes unit 1 psychology s history and its approaches ati palliative hospice care activity gero sim lab 2 ch hum 100 module 1 short answers foundations study guide book answer bank physio ex exercise 11

solved 4 11 summarize the reasons explained in this chapter - Dec 27 2021

web solved expert answers for database processing 12th edition by david m kroenke david auer instant access with 24 7 expert assistance

chapter 4 multiple choice questions 1 accounting information - Aug 03 2022

web explain the difference between file oriented transaction processing systems and relationaldatabase systems discuss the advantages and disadvantages of each system answer in file oriented approaches different users or departments units etc maintain their own data and use different application programs

chapter 1 introduction to database processing hacettepe - Mar 30 2022

web fundamentals design and implementation 9 e chapter 1 introduction to database processing title slide template author ranida boonthanom subject database processing 9 e kroenke

processes systems and information chapter 4 quizlet - Jun 01 2022

web is a program used to create process and administer a database is a collection of forms reports queries and application programs that use the dbms to process a database show data in a structured context exemplifies one of the special characteristics of multi user database processing

database processing 14th edition textbook solutions chegg - Aug 15 2023

web our interactive player makes it easy to find solutions to database processing 14th edition problems you re working on just go to the chapter for your book hit a particularly tricky question bookmark it to easily review again before an exam

solved chapter 4 problem 45pq solution database processing - Oct 05 2022

web access database processing 14th edition chapter 4 problem 45pq solution now our solutions are written by chegg experts so you can be assured of the highest quality

chapter 4 solution manual database system studocu - Jul 14 2023

web may 27 2021 chapter 4 solution manual database system answers to review questions what two conditions must be studocu answers to chapter 4 chapter entity relationship er modeling answers to review questions what two conditions must be met before an entity can be classified as skip to document

the end of food kirkus reviews - Feb 01 2023

web jun 4 2008 when he began college anti black racist ideas covered my freshman eyes like my orange contacts this unsparing honesty helps readers both white and people of color navigate this difficult intellectual territory not an easy read but an essential one pub date aug 13 2019 isbn 978 0 525 50928 8

the end of food 2006 edition open library - May 04 2023

web end of food by thomas f pawlick 2006 barricade books edition paperback in english 1st printing

amazon de kundenrezensionen the end of food english edition - Aug 27 2022

web finde hilfreiche kundenrezensionen und rezensionsbewertungen für the end of food english edition auf amazon de lese ehrliche und unvoreingenommene rezensionen von unseren nutzern

the end of food english edition formato kindle amazon it - Oct 29 2022

web the end of food english edition ebook roberts paul amazon it kindle store passa al contenuto principale it ciao scegli il tuo indirizzo kindle store seleziona la categoria in cui desideri effettuare la ricerca ricerca amazon it ciao accedi account e liste

the end of food by paul roberts goodreads - Sep 08 2023

web mar 21 2008 the end of food offers a deeper look at the global food system than any previous book i have read at times it reminded me of confessions of an economic hitman and the omnivore s dilemma combined into one mixing solid writing with a behind the scenes look at the geo political systems that control our food paul roberts describes

the end of food english edition kindle editie amazon nl - Mar 02 2023

web the end of food english edition ebook roberts paul amazon nl kindle store ga naar primaire content nl hallo bestemming kiezen kindle store selecteer de afdeling waarin je wilt zoeken zoeken amazon nl nl hallo inloggen account en lijsten

editions of the end of food by paul roberts goodreads - Apr 22 2022

web mar 21 2008 end of food ebook published january 1st 2009 by mariner books ebook more details want to read rate this book 1 of 5 stars 2 of 5 stars 3 of 5 stars 4 of 5 stars 5 of 5 stars per page editions for the end of food 0618606238 hardcover published in 2008 0547085974 paperback published in 2009 kindle edition 0747596425

the end of food archive org - Oct 09 2023

web english xxvi 390 pages 24 cm the bestselling author of the end of oil turns his attention to food and finds that the system entrusted with meeting one of the most basic needs is dramatically failing us with his trademark comprehensive global approach roberts investigates the startling truth about the modern food system

the end of food paul roberts google books - Aug 07 2023

web paul roberts the best selling author of the end of oil turns his attention to the modern food economy and finds that the

system entrusted to meet our most basic need is failing

the end of food google books - Jul 06 2023

web jan 6 2012 pawlick holds a masters degree in farm journalism and is the author of ten books including the best selling the end of food he served six years as chief editor of ceres magazine the united nations food and agriculture organization s flagship publication he currently lives on a 150 acre farm in eastern ontario

the end of food english edition format kindle amazon fr - Jun 24 2022

web achetez et téléchargez ebook the end of food english edition boutique kindle agricultural amazon fr

the end of food english edition download only seminary fbny - May 24 2022

web the end of food english edition 1 the end of food english edition beginning to end hunger it s not about food food poetry and the aesthetics of consumption outsmarting overeating a consumer s dictionary of food additives 7th edition the end of food allergy my mother s kitchen mike colameco s food lover s guide to new york city

the end of food by paul roberts open library - Jul 26 2022

web jun 4 2008 the end of food by paul roberts june 4 2008 houghton mifflin houghton mifflin company edition hardcover in english

the end of food how the food industry is destroying ou - Nov 29 2022

web jan 1 2006 the end of food was a very enlightening read there were many studies that show how the food industry has gone from an art form to a disaster due to big corporations in north america this book has given me more knowledge on how the produce section of the food industry works which is really written about

the end of food ebook 2006 worldcat org - Dec 31 2022

web get this from a library the end of food thomas pawlick maintains that the current method of food production in the united states is geared toward profit rather than nutrition leading to an increase in toxic contaminants and explains how individuals can

the end of food english edition kindle ausgabe amazon de - Jun 05 2023

web takes a close up look at the modern food system to reveal how we make market and consume food and how this has led to inequities in the global market analyzing the dangerous impact of chemicals and destructive farming techniques food contamination and disease as well as what needs to be done to address the situation before it is too late

the end of food english edition edición kindle amazon com mx - Mar 22 2022

web the end of food english edition ebook roberts paul amazon com mx tienda kindle

the end of food english edition kindle - Feb 18 2022

web may 6 2009 the end of food english edition kindle paul roberts kindle 51 kindle 1

850 19pt 5 904 776 10 2 695 5 2 327 798 8 2 327 7
the end of food english edition ebook kindle amazon com br - Sep 27 2022

web compre the end of food english edition de roberts paul na amazon com br confira também os ebooks mais vendidos lançamentos e livros digitais exclusivos

the end of food first roberts paul amazon com - Apr 03 2023

web may 6 2009 the end of food kindle edition paul roberts the best selling author of the end of oil turns his attention to the modern food economy and finds that the system entrusted to meet our most basic need is failing in this carefully researched vivid narrative roberts lays out the stark economic realities behind modern food and shows how our