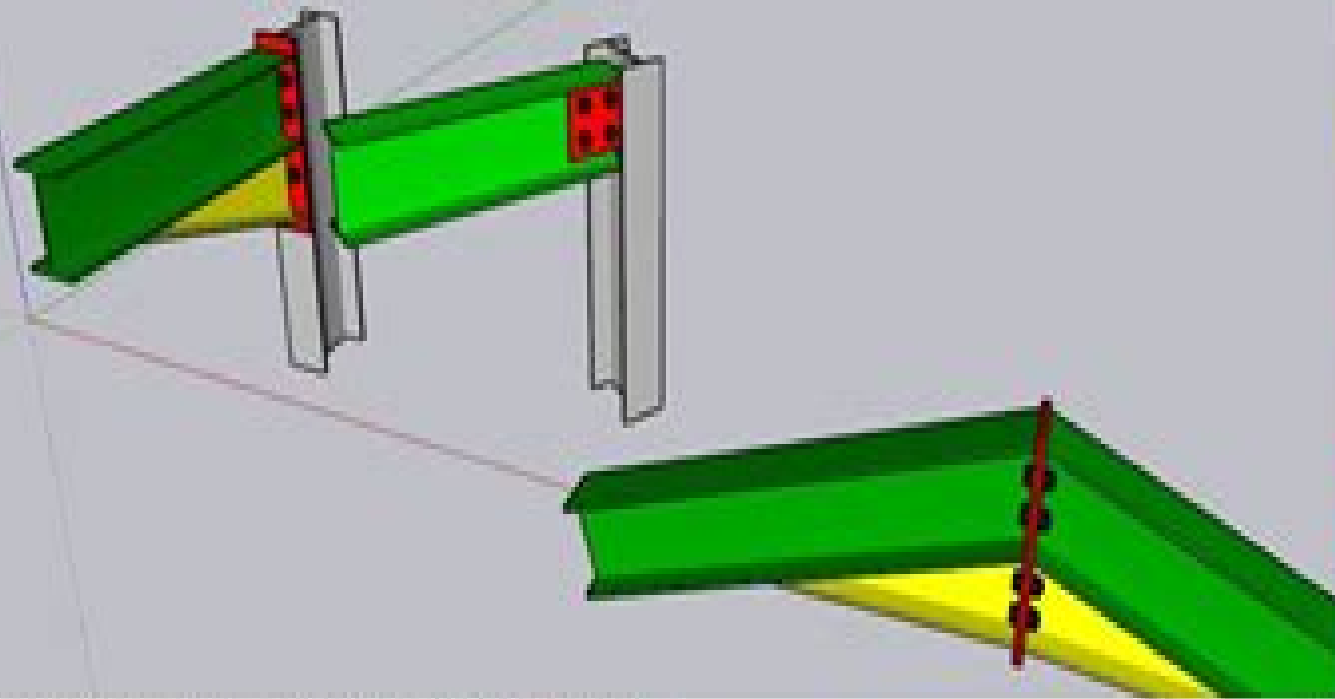


# How to create Structural Steel Connection in Sketchup?



Materials

Color 007

Select map

Color

Light Green	Medium Green	Dark Green	Very Dark Green
Light Green	Medium Green	Dark Green	Very Dark Green
Light Green	Medium Green	Dark Green	Very Dark Green
Light Green	Medium Green	Dark Green	Very Dark Green
Light Green	Medium Green	Dark Green	Very Dark Green
Light Green	Medium Green	Dark Green	Very Dark Green
Light Green	Medium Green	Dark Green	Very Dark Green
Light Green	Medium Green	Dark Green	Very Dark Green

Components

Styles

Click or drag to select objects. Shift = Add/Subtract. Ctrl = Add. Shift + Ctrl = Subtract.

Measurements

# Using Sketchup In Engineering

**M. Udin Harun Al Rasyid, Mohammad  
Robihul Mufid**



## **Using Sketchup In Engineering:**

Discover tales of courage and bravery in is empowering ebook, Unleash Courage in **Using Sketchup In Engineering** . In a downloadable PDF format ( \*), this collection inspires and motivates. Download now to witness the indomitable spirit of those who dared to be brave.

[https://hersolutiongelbuy.com/data/Resources/index.jsp/winchester\\_model\\_62a\\_owners\\_manual.pdf](https://hersolutiongelbuy.com/data/Resources/index.jsp/winchester_model_62a_owners_manual.pdf)

## **Table of Contents Using Sketchup In Engineering**

1. Understanding the eBook Using Sketchup In Engineering
  - The Rise of Digital Reading Using Sketchup In Engineering
  - Advantages of eBooks Over Traditional Books
2. Identifying Using Sketchup In Engineering
  - Exploring Different Genres
  - Considering Fiction vs. Non-Fiction
  - Determining Your Reading Goals
3. Choosing the Right eBook Platform
  - Popular eBook Platforms
  - Features to Look for in an Using Sketchup In Engineering
  - User-Friendly Interface
4. Exploring eBook Recommendations from Using Sketchup In Engineering
  - Personalized Recommendations
  - Using Sketchup In Engineering User Reviews and Ratings
  - Using Sketchup In Engineering and Bestseller Lists
5. Accessing Using Sketchup In Engineering Free and Paid eBooks
  - Using Sketchup In Engineering Public Domain eBooks
  - Using Sketchup In Engineering eBook Subscription Services
  - Using Sketchup In Engineering Budget-Friendly Options
6. Navigating Using Sketchup In Engineering eBook Formats

- ePub, PDF, MOBI, and More
  - Using Sketchup In Engineering Compatibility with Devices
  - Using Sketchup In Engineering Enhanced eBook Features
7. Enhancing Your Reading Experience
    - Adjustable Fonts and Text Sizes of Using Sketchup In Engineering
    - Highlighting and Note-Taking Using Sketchup In Engineering
    - Interactive Elements Using Sketchup In Engineering
  8. Staying Engaged with Using Sketchup In Engineering
    - Joining Online Reading Communities
    - Participating in Virtual Book Clubs
    - Following Authors and Publishers Using Sketchup In Engineering
  9. Balancing eBooks and Physical Books Using Sketchup In Engineering
    - Benefits of a Digital Library
    - Creating a Diverse Reading Collection Using Sketchup In Engineering
  10. Overcoming Reading Challenges
    - Dealing with Digital Eye Strain
    - Minimizing Distractions
    - Managing Screen Time
  11. Cultivating a Reading Routine Using Sketchup In Engineering
    - Setting Reading Goals Using Sketchup In Engineering
    - Carving Out Dedicated Reading Time
  12. Sourcing Reliable Information of Using Sketchup In Engineering
    - Fact-Checking eBook Content of Using Sketchup In Engineering
    - Distinguishing Credible Sources
  13. Promoting Lifelong Learning
    - Utilizing eBooks for Skill Development
    - Exploring Educational eBooks
  14. Embracing eBook Trends
    - Integration of Multimedia Elements
    - Interactive and Gamified eBooks

### Using Sketchup In Engineering Introduction

In this digital age, the convenience of accessing information at our fingertips has become a necessity. Whether its research papers, eBooks, or user manuals, PDF files have become the preferred format for sharing and reading documents. However, the cost associated with purchasing PDF files can sometimes be a barrier for many individuals and organizations. Thankfully, there are numerous websites and platforms that allow users to download free PDF files legally. In this article, we will explore some of the best platforms to download free PDFs. One of the most popular platforms to download free PDF files is Project Gutenberg. This online library offers over 60,000 free eBooks that are in the public domain. From classic literature to historical documents, Project Gutenberg provides a wide range of PDF files that can be downloaded and enjoyed on various devices. The website is user-friendly and allows users to search for specific titles or browse through different categories. Another reliable platform for downloading Using Sketchup In Engineering free PDF files is Open Library. With its vast collection of over 1 million eBooks, Open Library has something for every reader. The website offers a seamless experience by providing options to borrow or download PDF files. Users simply need to create a free account to access this treasure trove of knowledge. Open Library also allows users to contribute by uploading and sharing their own PDF files, making it a collaborative platform for book enthusiasts. For those interested in academic resources, there are websites dedicated to providing free PDFs of research papers and scientific articles. One such website is Academia.edu, which allows researchers and scholars to share their work with a global audience. Users can download PDF files of research papers, theses, and dissertations covering a wide range of subjects. Academia.edu also provides a platform for discussions and networking within the academic community. When it comes to downloading Using Sketchup In Engineering free PDF files of magazines, brochures, and catalogs, Issuu is a popular choice. This digital publishing platform hosts a vast collection of publications from around the world. Users can search for specific titles or explore various categories and genres. Issuu offers a seamless reading experience with its user-friendly interface and allows users to download PDF files for offline reading. Apart from dedicated platforms, search engines also play a crucial role in finding free PDF files. Google, for instance, has an advanced search feature that allows users to filter results by file type. By specifying the file type as "PDF," users can find websites that offer free PDF downloads on a specific topic. While downloading Using Sketchup In Engineering free PDF files is convenient, its important to note that copyright laws must be respected. Always ensure that the PDF files you download are legally available for free. Many authors and publishers voluntarily provide free PDF versions of their work, but its essential to be cautious and verify the authenticity of the source before downloading Using Sketchup In Engineering. In conclusion, the internet offers numerous platforms and websites that allow users to download free PDF files legally. Whether its classic literature, research papers, or magazines, there is something for everyone. The platforms mentioned in this article, such as Project Gutenberg, Open Library, Academia.edu, and Issuu, provide access to a vast collection of PDF files. However, users

should always be cautious and verify the legality of the source before downloading Using Sketchup In Engineering any PDF files. With these platforms, the world of PDF downloads is just a click away.

### **FAQs About Using Sketchup In Engineering Books**

How do I know which eBook platform is the best for me? Finding the best eBook platform depends on your reading preferences and device compatibility. Research different platforms, read user reviews, and explore their features before making a choice. Are free eBooks of good quality? Yes, many reputable platforms offer high-quality free eBooks, including classics and public domain works. However, make sure to verify the source to ensure the eBook credibility. Can I read eBooks without an eReader? Absolutely! Most eBook platforms offer web-based readers or mobile apps that allow you to read eBooks on your computer, tablet, or smartphone. How do I avoid digital eye strain while reading eBooks? To prevent digital eye strain, take regular breaks, adjust the font size and background color, and ensure proper lighting while reading eBooks. What the advantage of interactive eBooks? Interactive eBooks incorporate multimedia elements, quizzes, and activities, enhancing the reader engagement and providing a more immersive learning experience. Using Sketchup In Engineering is one of the best book in our library for free trial. We provide copy of Using Sketchup In Engineering in digital format, so the resources that you find are reliable. There are also many Ebooks of related with Using Sketchup In Engineering. Where to download Using Sketchup In Engineering online for free? Are you looking for Using Sketchup In Engineering PDF? This is definitely going to save you time and cash in something you should think about.

### **Find Using Sketchup In Engineering :**

*winchester model 62a owners manual*

**wiring a t8 ballast**

**windows 2008 r2 lab manual**

windows xp professional service pack 2 iso

winchester model 94 centennial 66 manual

wire diagram 1988 toyota mr2

wiring diaghrams 99 escalade

**winterize yamaha outboard 4 stroke**

**wings of fear helene young**

~~wire diagram for 1975 sportster~~

~~windows xp maintenance tools~~

**wire diagram for azera**

~~winchester centennial 66 manual~~

~~wiring diagram 1993 toyota celica filteruiimagesize large~~

**wired hard erotica for a gay universe english edition**

### Using Sketchup In Engineering :

2005 XJ8L Suspension Diagram Sep 10, 2013 — XJ XJ6 / XJ8 / XJR ( X350 & X358 ) - 2005 XJ8L Suspension Diagram - Is there a diagram that shows all associated front and rear suspension ... Jaguar XJ8 Air Suspension Compressor Line - C2C9925 Buy Jaguar XJ8 Air Suspension Compressor Line. Ride control components. Tube, Valve, Connector - OEM Jaguar Part # C2C9925. Jaguar XJ8 Active Suspension Control Module - C2C37299 Buy Jaguar XJ8 Active Suspension Control Module. Ride control components; rear suspension - OEM Jaguar Part # C2C37299 (C2C1922, C2C22388, C2C22604, C2C24172). XJ204-06 Air Suspension System Diagnostics.pdf Issue: This Technical Bulletin has been issued to aid in the diagnosis of air suspension system faults. Action: The following Service Instruction will assist in ... 2004-2009 Jaguar XJ8 4 Wheel Air Suspension ... Strutmasters 2004-2009 Jaguar XJ8 Four Wheel Air Strut To Coil Over Strut Conversion Kit is the perfect solution to your air suspension problems. Designed to be ... 2004 jaguar xj8. 2 new front air struts. Inflate but after Mar 15, 2022 — 2 new front air struts. Inflate but after 30 minutes of driving, air suspension fault light comes on and air goes out/ car dips front/grinds. 2004 Jaguar XJ - Air Suspension Fault Jun 10, 2021 — The suspension struts are well know for leaking at the top seal after a few years. This will lead to the car dropping down overnight. The ASM ... Why Your Jaguar XJ8 Suspension is Failing, and ... Oct 21, 2018 — Another major problem is that air suspensions are made of moving, rather than static parts. Moving parts are guaranteed to wear down over time ... KT76A-78A\_IMSM.pdf KT 76A Maintenance Manual. 7, March 1999. PART NUMBER: 006-05143-0007. Add ... the entire Installation Manual be removed and replaced when a revision is issued. KT 76/78 - TRANSPONDER INSTALLATION MANUAL J(T 76A Troubt~hootin2 Tips. Poor sen\$itivity ? When working on a KT 76A that has poor sensitivity, check the following caps: C440, ... BENDIX KING KT76A TRANSPONDER INSTALLATION ... PDF File: Bendix King Kt76a Transponder Installation Manual - BKKTIMPDF-SCRG25-1 3/4. Related PDF's for Bendix King Kt76a Transponder Installation Manual. KT76A to TT31 Minor Modification Jul 31, 2007 — Instructions for Continued. Airworthiness. On condition maintenance used; instructions listed in installation manual. Installation Manual. Thread: King KT76A manual Jul 23, 2015 — Hey all, Looking for a KT76A transponder manual. Does anyone have one hanging around? Dan. Honeywell International Inc. Honeywell International Inc. One Technology Center. 23500 West 105th



Street. Olathe, Kansas 66061. FAX 913-791-1302. Telephone: (913) 712-0400. Bendix King KT 76A 78A ATRCBS Transponder Installation ... Installation Manual. for. Bendix King. KT 76A 78A. ATRCBS Transponder. Manual # 006-00143-0006. has 18, pages. Revision 6: November, 1996 ... KT 76A-78A Mant. Manual PDF When replacing a connector, refer to the appropriate PC board assembly drawing, and follow the notes, to ensure correct mounting and mating of each connector. B ... King Kt 76A CD Install Manual King Kt 76A CD Install Manual. 0 Reviews 0 Answered Questions. \$9.75/Each. Quantity. Add to Cart Icon Add to Cart. Add to Wishlist. Part# 11-02310 Groundwater Hydrology TODD and MAYS PDF Groundwater Hydrology TODD and MAYS.pdf - Free ebook download as PDF File (.pdf) or read book online for free. Example 1 (Example 3.3.4 Todd and Mays, Groundwater ... Oct 21, 2021 — Question: Example 1 (Example 3.3.4 Todd and Mays, Groundwater Hydrology 3rd Edition) The Figure shows the cross section of an unconfined aquifer ... [PDF] Groundwater Hydrology By David Keith Todd, Larry ... Mays - Our understanding of the occurrence and movement of water under the Earth's surface is constantly advancing, with new models, improved drilling equipment ... Groundwater Hydrology - David Keith Todd, Larry W. Mays Special focus is placed on modern groundwater modeling methods, including a detailed description of MODFLOW. Intended Courses: Departments of Civil and ... Solution manual Groundwater Hydrology (3rd Ed., David ... Jan 30, 2018 — Solution manual Groundwater Hydrology (3rd Ed., David Keith Todd & Larry Mays) ... Solution manual Practical Problems in Groundwater Hydrology ... Groundwater Hydrology by D.K.Todd Groundwater Hydrology by D.K.Todd. Groundwater Hydrology by D.K.Todd. Groundwater ... Hydrology Solutions for Volume : I Classroom Practice Questions Missing ... Groundwater studies: an international guide for research ... Ground-water studies: an international guide for research and practice. Person as author : Brown, R.H.. Parent : Studies and reports in hydrology. Groundwater Hydrology: Third Edition | PDF | Aquifer ... Groundwater. Hydrology. Third Edition. David Keith. Todd. University. o. California. Berkeley. and. Todd. Engineers. Larry. W. Mays ... groundwater. knowledge. Groundwater studies: an international guide for ... Groundwater studies: an international guide for hydrogeological investigations. Person as author : Kovalevsky, Vlademir S. Person as author : Kruseman, ...