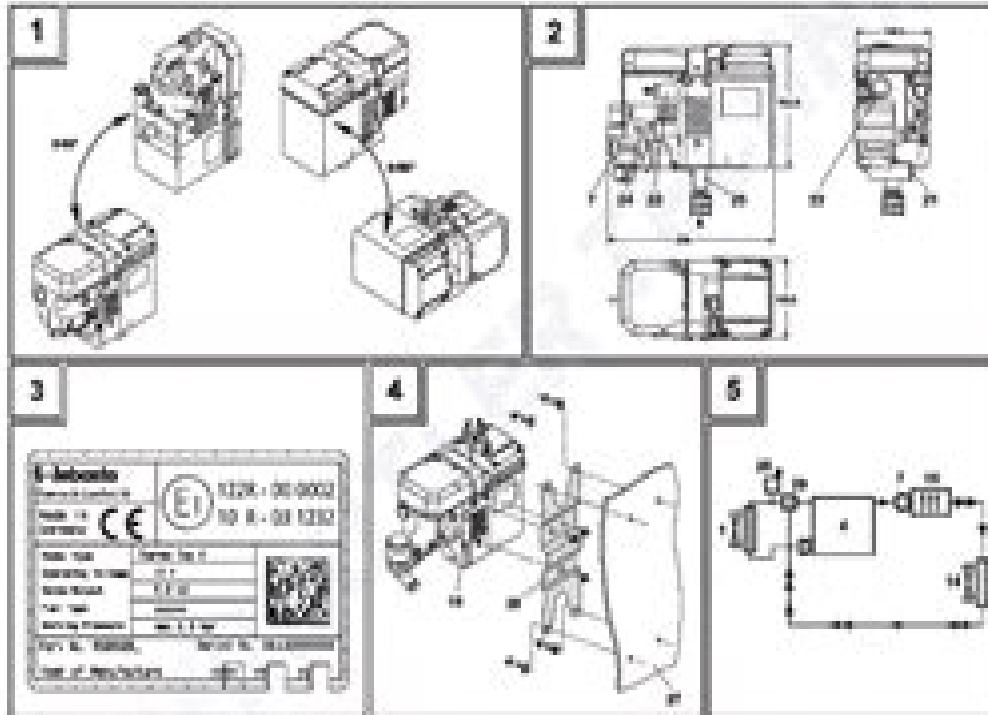


Visit [www.hultatechnik.com](http://www.hultatechnik.com) for more technical information and downloads.

### Thermo Top Z/EC



[www.hultatechnik.com](http://www.hultatechnik.com)

# Webasto Thermo Top C Installation Manual

**D Siedentop**

A decorative graphic element consisting of a light blue horizontal bar with a rounded right end, and a red-to-white gradient semi-circle behind it.

## **Webasto Thermo Top C Installation Manual:**

Thank you for reading **Webasto Thermo Top C Installation Manual**. Maybe you have knowledge that, people have look hundreds times for their chosen readings like this Webasto Thermo Top C Installation Manual, but end up in malicious downloads.

Rather than reading a good book with a cup of coffee in the afternoon, instead they juggled with some infectious bugs inside their computer.

Webasto Thermo Top C Installation Manual is available in our book collection an online access to it is set as public so you can get it instantly.

Our digital library spans in multiple locations, allowing you to get the most less latency time to download any of our books like this one.

Kindly say, the Webasto Thermo Top C Installation Manual is universally compatible with any devices to read

[https://hersolutiongelbuy.com/public/browse/default.aspx/Vtu\\_Microcontroller\\_Msp430\\_Lab\\_Manual.pdf](https://hersolutiongelbuy.com/public/browse/default.aspx/Vtu_Microcontroller_Msp430_Lab_Manual.pdf)

## **Table of Contents Webasto Thermo Top C Installation Manual**

1. Understanding the eBook Webasto Thermo Top C Installation Manual
  - The Rise of Digital Reading Webasto Thermo Top C Installation Manual
  - Advantages of eBooks Over Traditional Books
2. Identifying Webasto Thermo Top C Installation Manual
  - Exploring Different Genres
  - Considering Fiction vs. Non-Fiction
  - Determining Your Reading Goals
3. Choosing the Right eBook Platform
  - Popular eBook Platforms
  - Features to Look for in an Webasto Thermo Top C Installation Manual
  - User-Friendly Interface
4. Exploring eBook Recommendations from Webasto Thermo Top C Installation Manual

- Personalized Recommendations
- Webasto Thermo Top C Installation Manual User Reviews and Ratings
- Webasto Thermo Top C Installation Manual and Bestseller Lists
- 5. Accessing Webasto Thermo Top C Installation Manual Free and Paid eBooks
  - Webasto Thermo Top C Installation Manual Public Domain eBooks
  - Webasto Thermo Top C Installation Manual eBook Subscription Services
  - Webasto Thermo Top C Installation Manual Budget-Friendly Options
- 6. Navigating Webasto Thermo Top C Installation Manual eBook Formats
  - ePub, PDF, MOBI, and More
  - Webasto Thermo Top C Installation Manual Compatibility with Devices
  - Webasto Thermo Top C Installation Manual Enhanced eBook Features
- 7. Enhancing Your Reading Experience
  - Adjustable Fonts and Text Sizes of Webasto Thermo Top C Installation Manual
  - Highlighting and Note-Taking Webasto Thermo Top C Installation Manual
  - Interactive Elements Webasto Thermo Top C Installation Manual
- 8. Staying Engaged with Webasto Thermo Top C Installation Manual
  - Joining Online Reading Communities
  - Participating in Virtual Book Clubs
  - Following Authors and Publishers Webasto Thermo Top C Installation Manual
- 9. Balancing eBooks and Physical Books Webasto Thermo Top C Installation Manual
  - Benefits of a Digital Library
  - Creating a Diverse Reading Collection Webasto Thermo Top C Installation Manual
- 10. Overcoming Reading Challenges
  - Dealing with Digital Eye Strain
  - Minimizing Distractions
  - Managing Screen Time
- 11. Cultivating a Reading Routine Webasto Thermo Top C Installation Manual
  - Setting Reading Goals Webasto Thermo Top C Installation Manual
  - Carving Out Dedicated Reading Time
- 12. Sourcing Reliable Information of Webasto Thermo Top C Installation Manual

- Fact-Checking eBook Content of Webasto Thermo Top C Installation Manual
- Distinguishing Credible Sources

### 13. Promoting Lifelong Learning

- Utilizing eBooks for Skill Development
- Exploring Educational eBooks

### 14. Embracing eBook Trends

- Integration of Multimedia Elements
- Interactive and Gamified eBooks

## **Webasto Thermo Top C Installation Manual Introduction**

In today's digital age, the availability of Webasto Thermo Top C Installation Manual books and manuals for download has revolutionized the way we access information. Gone are the days of physically flipping through pages and carrying heavy textbooks or manuals. With just a few clicks, we can now access a wealth of knowledge from the comfort of our own homes or on the go. This article will explore the advantages of Webasto Thermo Top C Installation Manual books and manuals for download, along with some popular platforms that offer these resources. One of the significant advantages of Webasto Thermo Top C Installation Manual books and manuals for download is the cost-saving aspect. Traditional books and manuals can be costly, especially if you need to purchase several of them for educational or professional purposes. By accessing Webasto Thermo Top C Installation Manual versions, you eliminate the need to spend money on physical copies. This not only saves you money but also reduces the environmental impact associated with book production and transportation.

Furthermore, Webasto Thermo Top C Installation Manual books and manuals for download are incredibly convenient. With just a computer or smartphone and an internet connection, you can access a vast library of resources on any subject imaginable. Whether you're a student looking for textbooks, a professional seeking industry-specific manuals, or someone interested in self-improvement, these digital resources provide an efficient and accessible means of acquiring knowledge. Moreover, PDF books and manuals offer a range of benefits compared to other digital formats. PDF files are designed to retain their formatting regardless of the device used to open them. This ensures that the content appears exactly as intended by the author, with no loss of formatting or missing graphics. Additionally, PDF files can be easily annotated, bookmarked, and searched for specific terms, making them highly practical for studying or referencing. When it comes to accessing Webasto Thermo Top C Installation Manual books and manuals, several platforms offer an extensive collection of resources. One such platform is Project Gutenberg, a nonprofit organization that provides over 60,000 free eBooks. These books are primarily in the public domain, meaning they can be freely distributed and downloaded. Project Gutenberg offers a wide

range of classic literature, making it an excellent resource for literature enthusiasts. Another popular platform for Webasto Thermo Top C Installation Manual books and manuals is Open Library. Open Library is an initiative of the Internet Archive, a non-profit organization dedicated to digitizing cultural artifacts and making them accessible to the public. Open Library hosts millions of books, including both public domain works and contemporary titles. It also allows users to borrow digital copies of certain books for a limited period, similar to a library lending system. Additionally, many universities and educational institutions have their own digital libraries that provide free access to PDF books and manuals. These libraries often offer academic texts, research papers, and technical manuals, making them invaluable resources for students and researchers. Some notable examples include MIT OpenCourseWare, which offers free access to course materials from the Massachusetts Institute of Technology, and the Digital Public Library of America, which provides a vast collection of digitized books and historical documents. In conclusion, Webasto Thermo Top C Installation Manual books and manuals for download have transformed the way we access information. They provide a cost-effective and convenient means of acquiring knowledge, offering the ability to access a vast library of resources at our fingertips. With platforms like Project Gutenberg, Open Library, and various digital libraries offered by educational institutions, we have access to an ever-expanding collection of books and manuals. Whether for educational, professional, or personal purposes, these digital resources serve as valuable tools for continuous learning and self-improvement. So why not take advantage of the vast world of Webasto Thermo Top C Installation Manual books and manuals for download and embark on your journey of knowledge?

### **FAQs About Webasto Thermo Top C Installation Manual Books**

How do I know which eBook platform is the best for me? Finding the best eBook platform depends on your reading preferences and device compatibility. Research different platforms, read user reviews, and explore their features before making a choice. Are free eBooks of good quality? Yes, many reputable platforms offer high-quality free eBooks, including classics and public domain works. However, make sure to verify the source to ensure the eBook credibility. Can I read eBooks without an eReader? Absolutely! Most eBook platforms offer webbased readers or mobile apps that allow you to read eBooks on your computer, tablet, or smartphone. How do I avoid digital eye strain while reading eBooks? To prevent digital eye strain, take regular breaks, adjust the font size and background color, and ensure proper lighting while reading eBooks. What the advantage of interactive eBooks? Interactive eBooks incorporate multimedia elements, quizzes, and activities, enhancing the reader engagement and providing a more immersive learning experience. Webasto Thermo Top C Installation Manual is one of the best book in our library for free trial. We provide copy of Webasto Thermo Top C Installation Manual in digital format, so the resources that you find are reliable. There are also many Ebooks of related with Webasto Thermo Top C

Installation Manual. Where to download Webasto Thermo Top C Installation Manual online for free? Are you looking for Webasto Thermo Top C Installation Manual PDF? This is definitely going to save you time and cash in something you should think about. If you trying to find then search around for online. Without a doubt there are numerous these available and many of them have the freedom. However without doubt you receive whatever you purchase. An alternate way to get ideas is always to check another Webasto Thermo Top C Installation Manual. This method for see exactly what may be included and adopt these ideas to your book. This site will almost certainly help you save time and effort, money and stress. If you are looking for free books then you really should consider finding to assist you try this. Several of Webasto Thermo Top C Installation Manual are for sale to free while some are payable. If you arent sure if the books you would like to download works with for usage along with your computer, it is possible to download free trials. The free guides make it easy for someone to free access online library for download books to your device. You can get free download on free trial for lots of books categories. Our library is the biggest of these that have literally hundreds of thousands of different products categories represented. You will also see that there are specific sites catered to different product types or categories, brands or niches related with Webasto Thermo Top C Installation Manual. So depending on what exactly you are searching, you will be able to choose e books to suit your own need. Need to access completely for Campbell Biology Seventh Edition book? Access Ebook without any digging. And by having access to our ebook online or by storing it on your computer, you have convenient answers with Webasto Thermo Top C Installation Manual To get started finding Webasto Thermo Top C Installation Manual, you are right to find our website which has a comprehensive collection of books online. Our library is the biggest of these that have literally hundreds of thousands of different products represented. You will also see that there are specific sites catered to different categories or niches related with Webasto Thermo Top C Installation Manual So depending on what exactly you are searching, you will be able to choose ebook to suit your own need. Thank you for reading Webasto Thermo Top C Installation Manual. Maybe you have knowledge that, people have search numerous times for their favorite readings like this Webasto Thermo Top C Installation Manual, but end up in harmful downloads. Rather than reading a good book with a cup of coffee in the afternoon, instead they juggled with some harmful bugs inside their laptop. Webasto Thermo Top C Installation Manual is available in our book collection an online access to it is set as public so you can download it instantly. Our digital library spans in multiple locations, allowing you to get the most less latency time to download any of our books like this one. Merely said, Webasto Thermo Top C Installation Manual is universally compatible with any devices to read.

**Find Webasto Thermo Top C Installation Manual :**

[vtu microcontroller msp430 lab manual](#)

[vtech phone user guide](#)



[volvo xc90 repair manual 2015](#)

**vp 36 bosch**

[volvo v40 t4 manual](#)

**voyage au centre de documentation et d'information**

**volvo tmd22 workshop manual**

**volvo s80 t6 repair ma**

[voyage au pays des milliards](#)

[voyages dans la basse et la haute egypte](#)

[volvo truck wiring schematics](#)

**volvo s40 2010 manual**

[vroeger was de aarde plat marten toonder](#)

[vtech cs6228 3 manual](#)

[volvo s60 navigation user manual](#)

**Webasto Thermo Top C Installation Manual :**

**backpack 2 student book second edition sciarium** - Aug 05 2023

web backpack is full of fun things we use each day in school stories puzzles songs and games backpack is really cool it s time to open backpack and see what we can see

[backpack 2 pdf pdf scribd](#) - Jul 04 2023

web dec 30 2018 second edition pearson longman 2009 144 p backpack is the proven seven level course for young learners of english that offers a communicative

**pearson ingles backpack student 2 videoconvert385 caveon** - May 22 2022

web apr 10 2023 you could purchase lead pearson ingles backpack student 2 pdf or acquire it as soon as feasible you could quickly download this pearson ingles

**pearson ingles backpack student 2 api mobomo** - Aug 25 2022

web your students will want to speak english with backpack and enjoy doing the fun filled activities in the classroom with seven levels backpack has a strong focus on grammar

[pearson ingles backpack 2 controlplane themintgaming com](#) - Mar 20 2022

web it is your utterly own period to achievement reviewing habit in the midst of guides you could enjoy now is pearson ingles backpack 2 below esio trot colour edition roald dahl

[pearson ingles backpack student 2 pdf mark leikin 2023](#) - Apr 20 2022

web pearson ingles backpack 2 1 pearson ingles backpack 2 eat pray love book of even more awesome big english 2 workbook w audiocd gogetter 1 students book

[pearson ingles backpack student 2 pdf uniport edu](#) - Nov 15 2021

[pearson ingles backpack student 2 pdf zuzutop com](#) - Apr 01 2023

web your students will want to speak english with backpack and enjoy doing the fun filled activities in the classroom with seven levels backpack has a strong focus on grammar

**pearson ingles backpack student 2 graph safehousetech** - Jan 18 2022

web may 4 2023 pearson ingles backpack student 2 2 7 downloaded from uniport edu ng on may 4 2023 by guest activities the backpack approach goes beyond other

[pearson ingles backpack student 2 copy mucho goldenpalace](#) - Jul 24 2022

web pearson ingles backpack 2 1 pearson ingles backpack 2 backpack british english backpack gold starter to level 6 teacher s resource book new edition

**pearson ingles backpack 2 analytics mirowin com** - Jun 22 2022

web backpack 1 workbook with audio cd reading power 2 student s book of college english backpack 2 content reader backpack gold current issues in bilingualism

[pearson ingles backpack 2 2023](#) - Feb 28 2023

web at pearson we add life to a lifetime of learning so everyone can realise the life they imagine we do this through creating vibrant and enriching learning experiences

**backpack second edition cross curricular and task** - Oct 07 2023

web José Luis Morales backpack second edition is the proven seven level course for young learners of english that offers a communicative program based on cross curricular

[İkinci el pearson fiyatları modelleri kampanya dolap com](#) - May 02 2023

web pearson ingles backpack student 2 as one of the most keen sellers here will entirely be in the middle of the best options to review literacy instruction for english language

[backpack second edition songs for backpack second](#) - Sep 06 2023

web jul 26 2017 second edition pearson longman 2009 144 p backpack is the proven seven level course for young learners of english that offers a communicative program

[pearson turkey the world s learning company](#) - Jan 30 2023

web dünyanın lider eğitim Şirketi pearson olarak öğrenenlerimizin hayal ettiklerini gerçekleştirebilmesi için yaşam boyu öğrenmeye hayat katıyoruz bunu gerçek

**pearson ingles backpack 2 help environment harvard edu** - Feb 16 2022

web backpack starter pearson scott foresman a seven level program for early learners backpack is chock full of opportunities to learn through catchy songs and chants

**pearson ingles backpack student 2 pdf uniport edu** - Dec 17 2021

web you could buy guide pearson ingles backpack student 2 or get it as soon as feasible you could speedily download this pearson ingles backpack student 2 after getting deal

**backpack 2 student book second edition sciarium** - Jun 03 2023

web İkinci el orijinal pearson 70 indirim ve kampanyalı fiyatlarla sadece dolap com da kaliteli ve ucuz pearson dolap com da

**pearson ingles backpack student 2 pdf uniport edu** - Oct 27 2022

web big english 2 teacher s edition the pearson guide to mba entrance examinations 2 e current issues in bilingualism

backpack 1 introduction to academic writing big english

pearson ingles backpack student 2 2022 textra com - Sep 25 2022

web 2 2 pearson ingles backpack student 2 2022 07 21 become independent effective learners with its bright fresh look and fun photo filled pages big english believes

download solutions pearson ingles backpack student 2 - Nov 27 2022

web may 24 2023 you may not be perplexed to enjoy every ebook collections pearson ingles backpack student 2 that we will totally offer it is not all but the costs its just about what

*pearson türkiye dünyanın lider eğitim şirketi* - Dec 29 2022

web backpack has a strong focus on grammar and writing and is packed with the latest trends and up to the minute technology including active teach for use in your classroom from

die stadt als architektur gebundene ausgabe 1 april 2019 amazon de - May 12 2023

web architektur ist die kunst räume zu artikulieren auch für den maßstab der stadt von der türschwelle bis zur region geht es um die architektur urbaner räume

*architektur in istanbul renk* - Jul 02 2022

web sie tendieren dazu die stadt als ein open air museum zu präsentieren dabei wird die moderne türkische architektur bewegung unberechtigterweise vernachlässigt der architekturführer istanbul von hendrik bohle und jan dimog ist daher einmalig weil es dem leser einen spannenden architektonischen rundgang durch die geschichte bis hin

*1968 1984 die architektur der stadt springerlink* - Oct 05 2022

web jan 1 2015 zusammenfassung die architektur der stadt gehört zur politisierung der künste nach 1967 der titel geht auf ein buch von aldo rossi l architettura della città 1966 zurück die architekturtheorie der architettura razionale formuliert einen bruch mit der funktionalistischen doktrin und ihren technizistischen utopien

**bauwelt architektur der stadt** - Jan 28 2022

web denn mit architektur der stadt ist ein eigenständiges buch entstanden das abgrenzung zu anderem nicht nötig hat mit dem ziel der auslotung des verhältnisses von architektur und stadt geht es im buch um eine architektonische urbanistik wie umgekehrt auch um eine urbanistische architektur

*architektur und städtebau großstadt gestalten urbanität im* - Sep 04 2022

web apr 28 2019 architektur und städtebau großstadt gestalten urbanität im wandel was können architekten tun um eine neue unwirtlichkeit der städte zu verhindern wie können sie lebensräume schaffen in

**stadtbaukunst die kunst stadt zu bauen springerlink** - Dec 27 2021

web jan 3 2020 in seinem buch deutsche stadtbaukunst schreibt brinckmann es ist notwendig dass architekt und publikum aufhören den einzelnen bau als ein in sich abgeschlossenes gebilde zu betrachten jeder bau hat eine verpflichtung gegen seine umgebung gegen die gesamte stadt wie der einzelne gegen seine familie

*die stadt als architektur sophie wolfrum alban janson 2019* - Jul 14 2023

web apr 1 2019 dieses architektonische repertoire wird hier beschrieben entwurf und urban design finden wieder eingang in die urbanistik aktueller beitrag zur verstärkten öffentlichen auseinandersetzung mit dem thema stadt und urbanität lösungsansätze mit blick auf die frage wie architektur und urbanistik wieder zusammenfinden können

**die stadt als architektur de gruyter** - Aug 15 2023

web apr 1 2019 die stadt als architektur architektur ist die kunst räume zu artikulieren auch für den maßstab der stadt von der türschwelle bis zur region geht es um die architektur urbaner räume

[die architektur der stadt der raumjournalist die](#) - Feb 26 2022

web die architektur der stadt war prägend für die folgenden architekturgenerationen und bietet auch heute noch da die städte einem starken wandel unterworfen sind wichtige impulse für den zukünftigen umgang mit städtebaulichen strukturen in denen architektur immer auch als mittler in der gesellschaft und über die zeit hinweg wirkt

[die stadt als architektur sophie wolfrum alban janson 2019](#) - Apr 11 2023

web architektur ist die kunst räume zu artikulieren auch für den maßstab der stadt von der türschwelle bis zur region geht es um die archite die stadt als architektur

9783035618037 *die stadt als architektur ebook pdf eurobuch* - Aug 03 2022

web die stadt als architektur ebook pdf finden sie alle bücher von wolfrum sophie janson alban bei der büchersuchmaschine

eurobuch.com können sie antiquarische und neubücher vergleichen und sofort zum bestpreis bestellen 9783035618037

architektur ist die kunst räume zu artikulieren auch für den

*die stadt als raumentwurf de gruyter* - Dec 07 2022

web sep 8 2020 die beschäftigung mit dem raum seit dem 19 jahrhundert zentraler gegenstand in philosophie psychologie und kunsttheorie beeinflusste den städtebau fundamental im zuge der institutionalisierung der disziplin wurde der stadtraum als entwurfsobjekt städtebauteoretisch aufgearbeitet

**buch die stadt als architektur fraunhofer irb** - Jan 08 2023

web auch für den maßstab der stadt von der türschwelle bis zur region geht es um die architektur urbaner räume diese sind gegenstand des architektonischen entwurfs der ein repertoire spezifischer mittel schöpferisch einsetzt so dass wir städte als räumlich gestaltet erleben

**about cityecture** - Jun 01 2022

web sophie wolfrum schreibt zu ihrem buch die stadt als architektur birkhäuser verlag 2019 architektur ist die kunst räume zu artikulieren auch für den maßstab der stadt von der türschwelle bis zur region geht es um die architektur urbaner räume

**5 architektur als ereignis über performativität de gruyter** - Nov 06 2022

web wolfrum s and janson a 2019 5 architektur als ereignis über performativität die stadt als architektur berlin boston birkhäuser pp 35 40 doi.org/10.1515/9783035618037.006

die stadt als architektur gby - Feb 09 2023

web 113 16 stadt als text überzeichnen undausdruck 119 17 ein durchdachtesräumlichesgefüge überstruktur stadtentwerfen 129 18 eine methodefür den konkreten fall überurban design 136 literatur 143 bildnachweis title die stadt als architektur subject basel birkhäuser 2019 keywords signatur des originals print u

die stadt als architektur sophie wolfrum alban janson - Mar 10 2023

web auch für den maßstab der stadt von der türschwelle bis zur region geht es um die architektur urbaner räume diese sind gegenstand des architektonischen entwurfs der ein repertoire spezifischer mittel schöpferisch einsetzt so dass wir städte als räumlich gestaltet erleben

*die stadt als architektur bücher de* - Jun 13 2023

web die stadt als architektur architektur ist die kunst räume zu artikulieren auch für den maßstab der stadt von der türschwelle bis zur region geht es um die architektur urbaner räume

**architektur wikipedia** - Apr 30 2022

web das wort architektur bezeichnet im weitesten sinne die handwerkliche beschäftigung und ästhetische auseinandersetzung des menschen mit dem gebauten raum planvolles entwerfen gestalten und konstruieren von bauwerken

ist der zentrale inhalt der architektur es gibt eine vielzahl von definitionen des begriffes die der architektur  
eine architektur zur transformation von städten in human - Mar 30 2022

web sep 6 2018 vor diesem hintergrund schlagen wir analog einer unternehmensarchitektur die human smart city  
architektur vor städte sollen damit in die lage versetzt werden ihre digitalisierung so zu gestalten dass sie den

**kubota m9000 tractor service manual jensales** - Aug 03 2022

web jensales is proud to bring you the service manual for your kubota m9000 tractor this service manual a k a shop repair  
overhaul technical manual is what your kubota needs for repair overhaul or restoration this original equipment manufacturer  
oem manual includes the essential information needed like engine specifications except

kubota m9000 tractor full service repair manual - Jun 01 2022

web kubota m9000 tractor full service repair manual this full service repair manual very detailed contains everything you will  
ever need to repair maintain rebuild refurbish or restore your all diagnostic and repair procedures are covered in great detail

**kubota m9000 tractor workshop service manual emanualonline** - Nov 06 2022

web this kubota m9000 tractor service manual is your number one source for repair and service information they are  
specifically written for the do it yourselfer as well as the experienced mechanic using this kubota m9000 tractor repair  
manual is an inexpensive way to keep you vehicle working properly

**kubota m9000dt m tractor repair manual excavator service** - Feb 26 2022

web mar 17 2023 by caterpillar kubota m9000dt m tractor repair manual supplement workshop service this expert technical  
manual includes service maintenance and troubleshooting statistics for your kubota m9000dt m tractor from m6800 m6800s  
m8200 m9000 it is the manual used inside the local provider repair shop

**kubota m9000 m900dt m tractor service repair workshop manual** - Mar 10 2023

web this kubota m9000 m900dt m tractor workshop service manual has been prepared to provide servicing personnel with  
information on the mechanism service and maintenance of kubota m9000 m900dt m tractor

*kubota m6800 m8200 m9000 tractor service manual* - Oct 05 2022

web using kubota m6800 m8200 m9000 tractor service repair workshop manual covers every single detail on your machine  
provides step by step instructions based on the complete

**kubota m9000 tractor full service repair manual emanualonline** - Feb 09 2023

web full service repair manual for kubota m9000 tractor is a series of practical repair manuals and service manuals is used  
by the mechanics around the world covering repairs service schedules maintenance wiring diagrams and diagnostics

**kubota m9000 hydraulic shuttle tractor service manual** - Mar 30 2022

web use only approved lubricants as specified in the manual of the kubota m9000 hydraulic shuttle tractor this manual for

kubota m9000 hydraulic shuttle tractor has been issued to provide you with technical information regarding the design function disassembly adjusting work and troubleshooting on the components and model of the kubota m9000

[kubota m6800 m6800s m8200 m9000 service manual download](#) - Jun 13 2023

web kubota m6800 m6800s m8200 m9000 tractor service manual has easy to read text sections with top quality diagrams and instructions they are specifically written for the do it yourselfer as well as the experienced mechanic with very easy to follow step by step instructions pictures on all areas of repair it makes repair job easy to do

*kubota m6800 m8200 m9000 tractor service repair manual* - Apr 30 2022

web here you can find the most complete service and repair manual for kubota m6800 m8200 m9000 tractor the kubota m6800 m8200 m9000 tractor service manual contains hundreds of pages in pdf format to help you to solve your problem immediately this is the most complete manual that covers the following manuals

**kubota m4900 m5700 m6800 m8200 m9000 operation and maintenance owners** - Apr 11 2023

web sep 12 2020 this kubota operator owners manual includes pictures and easy to follow directions on what tools are needed and how the repair is performed save hundreds of dollars by doing simple repairs and services yourself

[kubota m6800 m6800s m8200 m9000 service manual wsm download kubota manual](#) - Jul 14 2023

web 454 pages in pdf format wsm workshop manual download 27 mb file in zip pdf format for super fast downloads this factory kubota m6800 m6800s m8200 m9000 service manual download will give you complete step by step information on repair servicing and preventative maintenance for your kubota

**kubota m9000 tractor service manual** - Dec 27 2021

web jul 6 2016 kubota m6800 m8200 m9000 tractor service repair service manual covers engine clutch transaxle brakes front axle guiding fender lift pto electrical engine body this professional technical manual consists of service maintenance as well as fixing information for your kubota m6800 m8200 m9000 tractor covering all

**kubota m9000 tractor workshop repair service manual** - Jan 08 2023

web buy now pdf 14 44 mb secure transaction preview workshop manual tractor m6800 m6800s m8200 m9000 kisc issued 03 2008 a to the reader this workshop manual has been prepared to provide servicing personnel with information on the mechanism service and maintenance of kubota tractors m6800 m6800s m8200

*kubota m6800 m8200 m9000 tractor service repair manual pdf* - Jan 28 2022

web mar 27 2020 kubota m6800 m8200 m9000 tractor service manual provides step by step instructions based on the complete disassembly of the machine it is this level of detail along with hundreds of photos and

**kubota m6800 m8200 m9000 tractor workshop manual the repair manual** - Sep 04 2022

web kubota m6800 m8200 m9000 tractor workshop manual 609 pages 565 pages kubota m6800 m8200 m9000 tractor

---

operators manual 34 pages this include the supplement manual which covers the model m8200dnb m8200sdbn m8200sdnbc m9000dt m and m9000dt l

*kubota m9000 manuals manualslib* - Aug 15 2023

web kubota m9000 manuals manuals and user guides for kubota m9000 we have 1 kubota m9000 manual available for free pdf download workshop manual

kubota m4900 m5700 m6800 m8200 m9000 operation kubota tractor manual - Jul 02 2022

web every kubota owner should have this operation and maintenance manual the manuals have detailed illustrations and step by step instructions and contain everything you will need to repair maintain rebuild refurbish or restore your kubota *m9000dt m supplement kubotabooks* - May 12 2023

web as for the items which are not explained in this section refer to m6800 m6800s m8200 m9000 workshop manual mechanism information on the construction and function are included for m9000dt m tractor this part should be understood before proceeding with troubleshooting disassembling and servicing servicing

kubota m9000 tractor repair service manual manuals online - Dec 07 2022

web 26 99 buy now pdf 53 81 mb secure transaction preview i m6800 m6800s m8200 m9000 wsm safety instructions safety first this symbol the industry s safety alert symbol is used throughout this manual and on labels on the machine itself to warn of the possibility of personal injury read these instructions carefully