



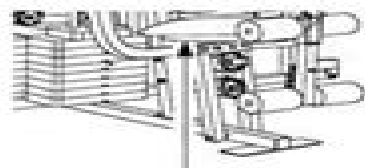
PATENT PENDING

WEIDER[®]

Model No. 831.159380

Serial No. _____

The serial number can be found in the location shown below. Write the serial number in the space above.



Serial Number Decal

EXERCISE
EQUIPMENT

QUESTIONS

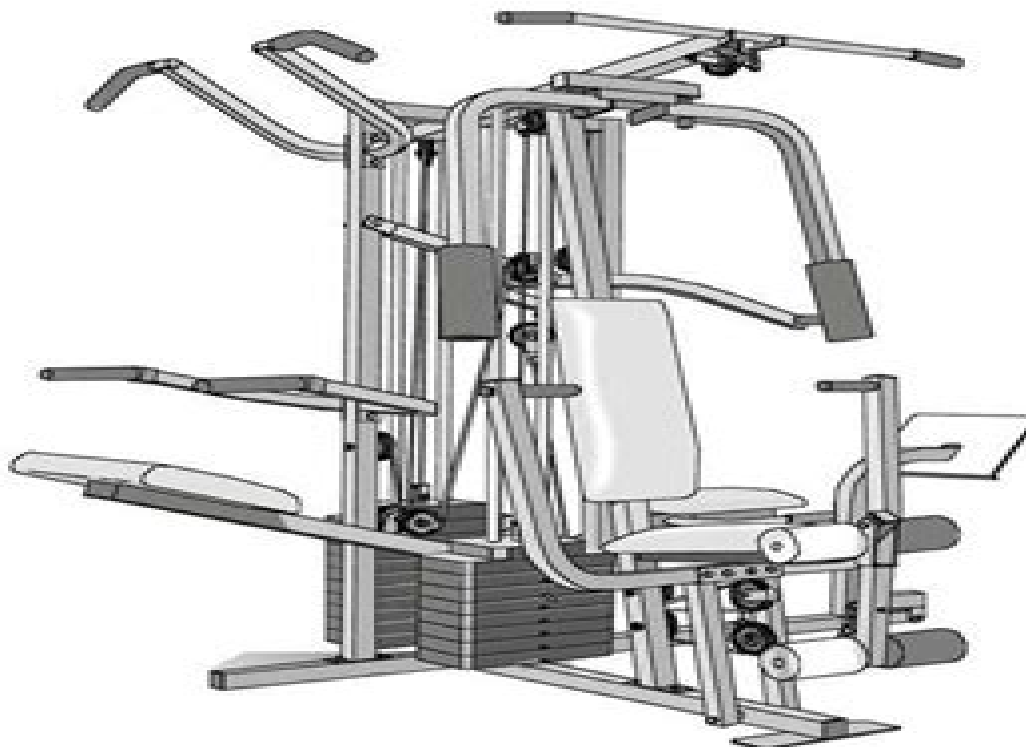
HELPLINE!

1-800-736-6879

CAUTION

Read all precautions and instructions in this manual before using this equipment. Save this manual for future reference.

USER'S MANUAL



SEARS

SEARS, ROEBUCK AND CO., HOFFMAN ESTATES, IL 60179

Weider Pro 4300 Exercise Guide

RD Boyd



Weider Pro 4300 Exercise Guide:

I Love Boston Guide Marilyn J. Appleberg,1987 *Subject Guide to Books in Print* ,1993 Popular Mechanics ,1966-04 Popular Mechanics inspires instructs and influences readers to help them master the modern world Whether it s practical DIY home improvement tips gadgets and digital technology information on the newest cars or the latest breakthroughs in science PM is the ultimate guide to our high tech lifestyle *The EBay Price Guide* Julia L. Wilkinson,2006 Provides lists of selling prices of items found on eBay in such categories as antiques boats books cameras coins collectibles dolls DVDs real estate stamps tickets and video games *Moody's OTC Unlisted Manual* ,1999 *Runner's World* ,1993

SRDS Consumer Magazine Advertising Source ,2002-10 *Sports Market Place* ,1992 The premier reference book for everything and everybody related to the sports industry *Shape* ,1996 *American Manufacturers Directory* ,1998

D&B Million Dollar Directory ,1997 **Ulrich's International Periodicals Directory** ,1996 **D and B Million Dollar Directory** ,2006 *Million Dollar Directory* Dun and Bradstreet, inc,2005 The Direct Marketing Market Place ,1990 *The Exercise Guide to Resistance Training* Paul Batman,Michelle Van Capelle,1995 *Training Notebook* Weider Publications, LLC,2002 At last the complete fully illustrated guide to weight training exercises based on the popular Muscle Fitness column Training Notebook Now all in one place 74 of the best exercises ever with step by step directions for building a strong muscular physique This easy to follow format lets you choose from a variety of exercises for each bodypart from back and biceps to chest and calves You can now change up your training so you keep making gains while you hit your muscles from new angles every workout The Muscle Fitness Training Notebook provides detailed instruction on doing each movement correctly for maximum effectiveness and safety Special tips let you customize each exercise for your individual goals whether you want wider shoulders or stronger legs The training log lets you keep track of your sets reps and poundage along with your progress Color coded anatomy drawings show you the muscles in action with sports applications for each exercise listed Expand your exercise inventory with this essential guide The spiral bound format provides easy access for convenient use while you train The Ultimate Exercise Guide Nicolas Andreou,2025-01-30 The Ultimate Exercise Guide Back Edition 120 How to Instructions for Home and Gym Are you ready to build and strengthen your Abdominals with a comprehensive easy to follow guide Look no further than The Ultimate Exercise Guide Back Edition your essential resource for mastering 120 targeted back exercises designed for home workouts and gym sessions Whether you re a beginner intermediate or advanced fitness enthusiast this book will help you sculpt a powerful back with expert guidance and visual support What Makes This Guide Stand Out 120 Back Exercises A wide range of exercises that target your back and trapezius from every angle ensuring complete muscle activation for optimal results Includes Bodyweight Machines Suspension Trainer Resistance Bands Dumbbells Barbell exercises and more Step by Step Instructions Detailed how to instructions for every exercise eliminating guesswork and ensuring you perform each move correctly High Quality 3D Illustrations Visualize your

exercises with state of the art 3D illustrations clearly demonstrating form and muscle engagement QR Codes for Video Demonstrations Get access to exercise animation videos by scanning QR codes included with each exercise offering you real time demonstrations and extra visual support For Home or Gym Whether you re working out at home with minimal equipment or hitting the gym this guide covers bodyweight free weights resistance bands and machine exercises For All Fitness Levels Discover a range of exercises perfect for both beginners and advanced athletes No matter your level there s something for you Why Choose The Ultimate Exercise Guide Back Edition Build Strength it s your ultimate resource for building muscle improving strength and enhancing your fitness journey Don t miss out this guide is a must have for anyone serious about training their back **Pak** Donald Kravitz,2000-10-01

Yeah, reviewing a book **Weider Pro 4300 Exercise Guide** could build up your close friends listings. This is just one of the solutions for you to be successful. As understood, ability does not suggest that you have fantastic points.

Comprehending as skillfully as contract even more than new will present each success. neighboring to, the broadcast as skillfully as perception of this Weider Pro 4300 Exercise Guide can be taken as competently as picked to act.

https://hersolutiongelbuy.com/public/uploaded-files/index.jsp/Seventeen_Ultimate_Guide_To_Beauty_Amazon.pdf

Table of Contents Weider Pro 4300 Exercise Guide

1. Understanding the eBook Weider Pro 4300 Exercise Guide
 - The Rise of Digital Reading Weider Pro 4300 Exercise Guide
 - Advantages of eBooks Over Traditional Books
2. Identifying Weider Pro 4300 Exercise Guide
 - Exploring Different Genres
 - Considering Fiction vs. Non-Fiction
 - Determining Your Reading Goals
3. Choosing the Right eBook Platform
 - Popular eBook Platforms
 - Features to Look for in an Weider Pro 4300 Exercise Guide
 - User-Friendly Interface
4. Exploring eBook Recommendations from Weider Pro 4300 Exercise Guide
 - Personalized Recommendations
 - Weider Pro 4300 Exercise Guide User Reviews and Ratings
 - Weider Pro 4300 Exercise Guide and Bestseller Lists
5. Accessing Weider Pro 4300 Exercise Guide Free and Paid eBooks
 - Weider Pro 4300 Exercise Guide Public Domain eBooks
 - Weider Pro 4300 Exercise Guide eBook Subscription Services

- Weider Pro 4300 Exercise Guide Budget-Friendly Options
- 6. Navigating Weider Pro 4300 Exercise Guide eBook Formats
 - ePub, PDF, MOBI, and More
 - Weider Pro 4300 Exercise Guide Compatibility with Devices
 - Weider Pro 4300 Exercise Guide Enhanced eBook Features
- 7. Enhancing Your Reading Experience
 - Adjustable Fonts and Text Sizes of Weider Pro 4300 Exercise Guide
 - Highlighting and Note-Taking Weider Pro 4300 Exercise Guide
 - Interactive Elements Weider Pro 4300 Exercise Guide
- 8. Staying Engaged with Weider Pro 4300 Exercise Guide
 - Joining Online Reading Communities
 - Participating in Virtual Book Clubs
 - Following Authors and Publishers Weider Pro 4300 Exercise Guide
- 9. Balancing eBooks and Physical Books Weider Pro 4300 Exercise Guide
 - Benefits of a Digital Library
 - Creating a Diverse Reading Collection Weider Pro 4300 Exercise Guide
- 10. Overcoming Reading Challenges
 - Dealing with Digital Eye Strain
 - Minimizing Distractions
 - Managing Screen Time
- 11. Cultivating a Reading Routine Weider Pro 4300 Exercise Guide
 - Setting Reading Goals Weider Pro 4300 Exercise Guide
 - Carving Out Dedicated Reading Time
- 12. Sourcing Reliable Information of Weider Pro 4300 Exercise Guide
 - Fact-Checking eBook Content of Weider Pro 4300 Exercise Guide
 - Distinguishing Credible Sources
- 13. Promoting Lifelong Learning
 - Utilizing eBooks for Skill Development
 - Exploring Educational eBooks
- 14. Embracing eBook Trends

- Integration of Multimedia Elements
- Interactive and Gamified eBooks

Weider Pro 4300 Exercise Guide Introduction

In today's digital age, the availability of Weider Pro 4300 Exercise Guide books and manuals for download has revolutionized the way we access information. Gone are the days of physically flipping through pages and carrying heavy textbooks or manuals. With just a few clicks, we can now access a wealth of knowledge from the comfort of our own homes or on the go. This article will explore the advantages of Weider Pro 4300 Exercise Guide books and manuals for download, along with some popular platforms that offer these resources. One of the significant advantages of Weider Pro 4300 Exercise Guide books and manuals for download is the cost-saving aspect. Traditional books and manuals can be costly, especially if you need to purchase several of them for educational or professional purposes. By accessing Weider Pro 4300 Exercise Guide versions, you eliminate the need to spend money on physical copies. This not only saves you money but also reduces the environmental impact associated with book production and transportation. Furthermore, Weider Pro 4300 Exercise Guide books and manuals for download are incredibly convenient. With just a computer or smartphone and an internet connection, you can access a vast library of resources on any subject imaginable. Whether you're a student looking for textbooks, a professional seeking industry-specific manuals, or someone interested in self-improvement, these digital resources provide an efficient and accessible means of acquiring knowledge. Moreover, PDF books and manuals offer a range of benefits compared to other digital formats. PDF files are designed to retain their formatting regardless of the device used to open them. This ensures that the content appears exactly as intended by the author, with no loss of formatting or missing graphics. Additionally, PDF files can be easily annotated, bookmarked, and searched for specific terms, making them highly practical for studying or referencing. When it comes to accessing Weider Pro 4300 Exercise Guide books and manuals, several platforms offer an extensive collection of resources. One such platform is Project Gutenberg, a nonprofit organization that provides over 60,000 free eBooks. These books are primarily in the public domain, meaning they can be freely distributed and downloaded. Project Gutenberg offers a wide range of classic literature, making it an excellent resource for literature enthusiasts. Another popular platform for Weider Pro 4300 Exercise Guide books and manuals is Open Library. Open Library is an initiative of the Internet Archive, a non-profit organization dedicated to digitizing cultural artifacts and making them accessible to the public. Open Library hosts millions of books, including both public domain works and contemporary titles. It also allows users to borrow digital copies of certain books for a limited period, similar to a library lending system. Additionally, many universities and educational institutions have their own digital libraries that provide free access to PDF books and manuals. These libraries often offer academic texts, research papers, and technical manuals, making them

invaluable resources for students and researchers. Some notable examples include MIT OpenCourseWare, which offers free access to course materials from the Massachusetts Institute of Technology, and the Digital Public Library of America, which provides a vast collection of digitized books and historical documents. In conclusion, Weider Pro 4300 Exercise Guide books and manuals for download have transformed the way we access information. They provide a cost-effective and convenient means of acquiring knowledge, offering the ability to access a vast library of resources at our fingertips. With platforms like Project Gutenberg, Open Library, and various digital libraries offered by educational institutions, we have access to an ever-expanding collection of books and manuals. Whether for educational, professional, or personal purposes, these digital resources serve as valuable tools for continuous learning and self-improvement. So why not take advantage of the vast world of Weider Pro 4300 Exercise Guide books and manuals for download and embark on your journey of knowledge?

FAQs About Weider Pro 4300 Exercise Guide Books

What is a Weider Pro 4300 Exercise Guide PDF? A PDF (Portable Document Format) is a file format developed by Adobe that preserves the layout and formatting of a document, regardless of the software, hardware, or operating system used to view or print it. **How do I create a Weider Pro 4300 Exercise Guide PDF?** There are several ways to create a PDF: Use software like Adobe Acrobat, Microsoft Word, or Google Docs, which often have built-in PDF creation tools. **Print to PDF:** Many applications and operating systems have a "Print to PDF" option that allows you to save a document as a PDF file instead of printing it on paper. **Online converters:** There are various online tools that can convert different file types to PDF. **How do I edit a Weider Pro 4300 Exercise Guide PDF?** Editing a PDF can be done with software like Adobe Acrobat, which allows direct editing of text, images, and other elements within the PDF. Some free tools, like PDFescape or Smallpdf, also offer basic editing capabilities. **How do I convert a Weider Pro 4300 Exercise Guide PDF to another file format?** There are multiple ways to convert a PDF to another format: Use online converters like Smallpdf, Zamzar, or Adobe Acrobats export feature to convert PDFs to formats like Word, Excel, JPEG, etc. Software like Adobe Acrobat, Microsoft Word, or other PDF editors may have options to export or save PDFs in different formats. **How do I password-protect a Weider Pro 4300 Exercise Guide PDF?** Most PDF editing software allows you to add password protection. In Adobe Acrobat, for instance, you can go to "File" -> "Properties" -> "Security" to set a password to restrict access or editing capabilities. **Are there any free alternatives to Adobe Acrobat for working with PDFs?** Yes, there are many free alternatives for working with PDFs, such as: LibreOffice: Offers PDF editing features. PDFsam: Allows splitting, merging, and editing PDFs. Foxit Reader: Provides basic PDF viewing and editing capabilities. **How do I compress a PDF file?** You can use online tools like Smallpdf, ILovePDF, or desktop software like Adobe Acrobat to compress PDF files without significant quality loss. Compression reduces the file size,

making it easier to share and download. Can I fill out forms in a PDF file? Yes, most PDF viewers/editors like Adobe Acrobat, Preview (on Mac), or various online tools allow you to fill out forms in PDF files by selecting text fields and entering information. Are there any restrictions when working with PDFs? Some PDFs might have restrictions set by their creator, such as password protection, editing restrictions, or print restrictions. Breaking these restrictions might require specific software or tools, which may or may not be legal depending on the circumstances and local laws.

Find Weider Pro 4300 Exercise Guide :

seventeen ultimate guide to beauty amazon

[sharing my fiancee acutec a cheating wife tale english edition](#)

[sharepoint document id not generated](#)

[seventh grade language arts pacing guide](#)

seuss coloring sheets

sex with a stranger nick hern books

[sg intellisys controller manual](#)

[shakespeare on the university stage](#)

setup guide for skybox f5 cccam

[setting internet manual di android](#)

[shakespeare and the english speaking cinema oxford shakespeare topics](#)

[sharp el w535 manual](#)

[sharp ar m620n m620u service manual technical documentation](#)

[sfa 7700 user manual](#)

[shape poem pentecost](#)

Weider Pro 4300 Exercise Guide :

alfa romeo pasion por conduccion spanish version pdf - Sep 03 2022

web jul 12 2023 wish to download and install the alfa romeo pasion por conduccion spanish version it is very simple then

past currently we extend the associate to

[alfa romeo pasión por conducción spanish version by ernie](#) - Sep 22 2021

web alfa romeo pasión por conducción spanish version by ernie ruben pasion por los alfa romeo alfa romeo da la espalda a la

pasión y abraza los suv pasión al volante

alfa romeo pasión por conducción spanish version by ernie - Jul 13 2023

web abc es selected4u pasión por los alfa romeo alfa romeo motorpasión méxico nuevo suv alfa romeo stelvio first edition alfa romeo 4c 2020 descripción general precios y fichas

alfa romeo pasión por conducción spanish version winston - Jul 01 2022

web we offer alfa romeo pasión por conducción spanish version and numerous books collections from fictions to scientific research in any way in the course of them is this

alfa romeo pasión por conducción spanish version pdf copy - Jun 12 2023

web alfa romeo pasión por conducción spanish version pdf introduction alfa romeo pasión por conducción spanish version pdf copy loads of information on designs

alfa romeo pasión por conducción spanish version full pdf - Nov 24 2021

web alfa romeo pasión por conducción spanish version 1 alfa romeo pasión por conducción spanish version cambio 16 the divine comedy curtiss hill 21 lessons

condución in spanish english to spanish translation - Jan 27 2022

web duhk shihn noun 1 general a la conducción f conduction is a method of heat transfer that is often used in cooking

alfa romeo pasión por conducción spanish version copy - Apr 10 2023

web alfa romeo pasión por conducción spanish version downloaded from old militos org by guest evelyn gardner alfa romeo pasión por conducción random house

alfa romeo pasión por conducción spanish version pdf 2023 - Dec 06 2022

web right here we have countless ebook alfa romeo pasión por conducción spanish version pdf and collections to check out we additionally give variant types and

alfa romeo pasión por conducción spanish version by ernie - Dec 26 2021

web alfa romeo pasión por la conducción y la tecnología al alfa romeo 4c a prueba con el corazón alfa romeo alfa romeo da la espalda a la pasión y abraza los suv

alfa romeo pasión por conducción spanish version winston - Oct 24 2021

web alfa romeo pasión por conducción spanish version is available in our digital library an online access to it is set as public so you can download it instantly our books collection

alfa romeo pasión por conducción spanish version copy - Aug 02 2022

web may 4 2023 alfa romeo pasión por conducción spanish version 1 12 downloaded from uniport edu ng on may 4 2023 by guest alfa romeo pasión por conducción

conducción spanish to english translation - Feb 25 2022

web 4 set of pipes a piping hoy no hay agua porque están haciendo reparaciones en la conducción de la zona there s no running water today because the piping in the area is

alfa romeo pasion por conduccion spanish version ci kubesail - Feb 08 2023

web alfa romeo pasion por conduccion spanish version downloaded from ci kubesail com by guest nathaniel karter million dollar classics chartwell books robert langdon

alfa romeo pasion por conduccion spanish version download - Oct 04 2022

web alfa romeo pasion por conduccion spanish version 1 alfa romeo pasion por conduccion spanish version alfa romeo pasion por conduccion spanish version

passion in spanish english to spanish translation - Mar 29 2022

web translate passion see 4 authoritative translations of passion in spanish with example sentences phrases and audio pronunciations

alfa romeo argentina sitio oficial - May 31 2022

web alfa romeo argentina sitio oficial

alfa romeo pasion por conduccion spanish version - May 11 2023

web alfa romeo pasion por conduccion spanish version downloaded from app oaklandlibrary org by guest wiggins broderick historia 16 heinle heinle

alfa romeo pasion por conduccion spanish version pdf - Mar 09 2023

web alfa romeo pasion por conduccion spanish version 3 3 could ever have imagined edward has already rescued bella from the clutches of one evil vampire but now as

alfa romeo pasion por conduccion spanish version - Nov 05 2022

web alfa romeo pasion por conduccion spanish version is available in our book collection an online access to it is set as public so you can get it instantly our books collection

pasion spanish to english translation spanishdictionary com - Apr 29 2022

web feminine noun 1 sexual desire a passion se apagó la pasión en su relación y decidieron separarse the passion in their relationship had faded so they decided to separate esta

alfa romeo pasion por conduccion spanish version download - Jan 07 2023

web alfa romeo pasion por conduccion spanish version spanish words on the road oct 02 2022 spanish is especially fun to learn on vacation readers are invited to hit the

descargar alfa romeo pasión por conducción spanish version - Aug 14 2023

web apr 26 2020 descargar alfa romeo pasión por conducción spanish version de ernie ruben libros ebooks alfa romeo pasión por conducción spanish version pdf

enthalpy for ammonia absorption cheresources com community - Mar 19 2022

web apr 11 2007 my copy is the 1985 fundamentals and on figure 32 enthalpy concentration diagram for ammonia water solution on page 17 68 you will find the enthalpy values you are seeking additionally you will find a complete typical absorption refrigeration example using aqua ammonia on page 1 24 example 6

enthalpy concentration diagram for aqua ammonia - Apr 19 2022

web enthalpy concentration diagram for aqua ammonia author aaron bodenstein from orientation sutd edu sg subject enthalpy concentration diagram for aqua ammonia keywords concentration enthalpy ammonia diagram for aqua created date [pdf development of thermo physical properties of aqua ammonia](#) - Feb 27 2023

web jan 1 2017 both the low temperature and medium temperature kalina cycle systems ltkcs and mtkcs have been modelled with ammonia water mixture properties calculated up to 100 bar pressure 14 the model

enthalpy concentration ammonia water solutions chart - Aug 24 2022

web aqua ammonia enthalpy concentration diagram the fifth column is the heat of vaporization needed to convert one gram of liquid to vapor freezing curve of ammonia water system three eutectic points i ii and iii are shown enthalpy concentration ammonia water solutions this tutorial describes how to read an aqua ammonia

ammonia enthalpy concentration diagram pdf scribd - May 21 2022

web development of thermo physical properties of aqua ammonia 127 figure 4 enthalpy concentration for a ammonia water mixture up to 100 bar see online version for colours

enthalpy concentration diagram for ammonia water mixtures - Mar 31 2023

web enthalpy concentration diagram for ammonia water mixtures free download as word doc doc pdf file pdf text file txt or read online for free diagrama de entalpia concentraion para mezclas de amoniaco agua

4 34 4 35 temperature composition phase diagram for ammonia water - Sep 05 2023

web 4 34 4 35 enthalpy concentration phase diagram for ammonia water mixtures at 300 psia 20 4 atm 400 300 200 100 0 100 200 300 400 500 600 700 800 900 1000 1100 1200 0 0 1 0 2 0 3 0 4 0 5 0 6 0 7 0 8 0 9 1 weight fraction ammonia enthalpy btu lb ice nh3 h2o ice soln nh3 2h2o solid nh3 vapor liquid solution 80 f 40 f 320 f 280 f

ammonia data page wikipedia - Jul 23 2022

web the s notation indicates equilibrium temperature of vapor over solid otherwise temperature is equilibrium of vapor over liquid log₁₀ of anhydrous ammonia vapor pressure uses formula shown below vapor pressure formula for ammonia $2 \log_{10} p = a - b/t + c$ where p is pressure in k pa and t is temperature in kelvins

ammonia nh 3 thermodynamic properties the engineering toolbox - May 01 2023

web online calculator figures and tables showing dynamic absolute and kinematic viscosity of gaseous and liquid ammonia at temperatures ranging from 73 to 425 c 100 to 800 f at pressure ranging from 1 to 1000 bara 14.5 to 14500 psia si and imperial units ammonia prandtl number vs temperature and pressure

enthalpy concentration diagrams ammonia water big chemical encyclopedia - Jul 03 2023

web the diagram shows the enthalpy of mixtures of ammonia and water versus concentration with pressure and temperature as parameters it covers the phase changes from solid to liquid to vapour and the enthalpy values given include the

aqua ammonia enthalpy concentration diagram youtube - Oct 06 2023

web this tutorial describes how to read an aqua ammonia enthalpy concentration diagram reading this diagram helps in designing an aqua ammonia vapor absorption

diagrams of entropy for ammonia water mixtures applications to - Nov 26 2022

web oct 1 2017 the studies were based on the enthalpy vs concentration diagram obtaining the enthalpy in the liquid phase corresponding at a temperature range from 80 c to 40 c the mixtures enthalpy values were calculated for ammonia h_{1c} and water h_{2c} by using a non linear regression program

enthalpy concentration diagram of the ammonia water mixture - Oct 26 2022

web download scientific diagram enthalpy concentration diagram of the ammonia water mixture source herold 1996 from publication design of a single acting ammonia water solar absorption cooling

enthalpy concentration diagrams chemical - Jan 29 2023

web jan 4 2014 enthalpy concentration diagrams the variation of enthalpy for binary mixtures is conveniently represented on a diagram an example is shown in figure 3.3 the diagram shows the enthalpy of mixtures of ammonia and water versus concentration with pressure and temperature as parameters it covers the phase

[ammonia solution wikipedia](#) - Jun 02 2023

web ammonia solutions decrease in density as the concentration of dissolved ammonia increases at 15.6 c 60.1 f the density of a saturated solution is 0.88 g/ml and contains 35.6 ammonia by mass 308 grams of ammonia per litre of solution and has a molarity of approximately 18 mol/l

[enthalpy concentration diagram for aqua ammonia download](#) - Feb 15 2022

web mollier h-s diagram for water and steam aug 04 2022 this diagram is based on the newest industrial standard iapws-97 for the thermodynamic properties of water and steam which replaces the previous industrial formulation ifc-67 removal of heavy metals from mine drainage by precipitation aug 12 2020

evaluation of thermodynamic properties of ammonia water - Sep 24 2022

web the property chart that is enthalpy concentration entropy concentration temperature concentration and exergy concentration charts have been prepared the present work can be used to simulate the power generating systems to get the feasibility of the proposed ideas up to 100 bar

enthalpy concentration for a ammonia water mixture up to 100 - Aug 04 2023

web download scientific diagram enthalpy concentration for a ammonia water mixture up to 100 bar see online version for colours from publication development of thermo physical properties of

lesson aligarh muslim university - Jun 21 2022

web discuss the properties of ammonia water mixtures and introduce pressure temperature concentration p t ξ and enthalpy temperature concentration h t ξ charts section 16 2

figure 1 ammonia water enthalpy concentration diagram - Dec 28 2022

web figure 1 shows the enthalpy concentration plot as function of ammonia concentration and pressure both the low temperature and medium temperature kalina cycle systems ltkcs and mtkcs have been

taschen basquiat basic art series 2 0 farfetch - Jul 04 2022

web shop taschen basquiat basic art series 2 0

[basquiat emmerling leonhard 9783836559799 amazon.com](#) - Jul 16 2023

web oct 14 2015 this book presents basquiat s short but prolific career his unique style and his profound engagement with ever relevant issues of integration and segregation poverty and wealth about the series born back in 1985 the basic art series has evolved into the best selling art book collection ever published

basquiat taschen basic art series by emmerling leonhard - Feb 11 2023

web buy basquiat taschen basic art series by emmerling leonhard 2011 hardcover by isbn from amazon s book store everyday low prices and free delivery on eligible orders basquiat taschen basic art series by emmerling leonhard 2011 hardcover amazon.co.uk books

basquiat taschen basic art series abebooks - Jan 10 2023

web abebooks.com basquiat taschen basic art series clean cover no marks creases or cuffs pages well bound neat and tidy inside and out basquiat taschen basic art series by emmerling leonhard near fine soft cover 2003 1st edition stephen books

taschen basic art wikipedia - Nov 08 2022

web taschen basic art is a best selling art collection books published by taschen starting in 1985 each book looks at a different artist with a biography and illustrations of their work the books are published as affordable hardcover books of 21 x 26 cm as of 2022 78 titles had been published

taschen books books basic art series - Aug 17 2023

web basic art series home books basic art series 119 items basic art series sort and filter sort by best selling titles themes art architecture design classics photography price all prices under us 50 apply filters 1920s berlin basic art us 20 add to cart abstract art basic art us 20 add to cart abstract expressionism basic art us 20

taschen books basquiat basic art series the old school house arts - Apr 01 2022

web started in 1985 the basic art series has evolved into the best selling art book collection ever published each book in taschen s basic art series features a detailed chronological summary of the life and oeuvre of the artist covering their cultural and historical importance a concise biography

basquiat amazon co uk emmerling leonhard 9783836559799 - May 14 2023

web about the series born back in 1985 the basic art series has evolved into the best selling art book collection ever published each book in taschen s basic art series features a detailed chronological summary of the life and oeuvre of the artist covering his or her cultural and historical importance a concise biography

taschen books jean michel basquiat - Mar 12 2023

web jean michel basquiat us 200 add to cart brilliant basquiat the most comprehensive edition to date the legend of jean michel basquiat is as strong as ever synonymous with new york in the 1980s the artist first appeared in the late 1970s under the tag samo spraying caustic comments and fragmented poems on the walls of the city

taschen basic art series 2 0 80 books goodreads - Sep 06 2022

web taschen basic art series 2 0 flag all votes add books to this list 1 bosch by taschen editor score 294 and 3 people voted want to read saving want to read christo and jeanne claude basic art series 2 0 by jacob baal teshuva

basquiat taschen basic art series phoenix art museum - Nov 27 2021

web basquiat taschen basic art series 20 00 pay in 4 interest free installments for orders over 50 00 with learn more add to cart pickup available at the museum store usually ready in 24 hours view store information

basquiat taschen basic art series leonhard emmerling - Apr 13 2023

web each book in taschen s basic art series features a detailed chronological summary of the life and oeuvre of the artist covering his or her cultural and historical importance a

[basquiat taschen basic art series atomic books](#) - Aug 05 2022

web life lines the 80s art star who put poverty power and racism on the wall an icon of 1980s new york jean michel basquiat 1960 1988 first made his name under the graffiti tag samo before establishing his studio practice and catapulting to fast fame at the age of 20

amazon com taschen basic art series - Jun 15 2023

web amazon com taschen basic art series basquiat part of basic art 136 books 4 8 out of 5 stars 910 hardcover mies van der

rohe basic art part of basic art 136 books 4 7 out of 5 stars 462 hardcover 20 00 20 00 free delivery mon may 29 on 25 of items shipped by amazon

[basquiat taschen basic art series idifix](#) - Oct 07 2022

web basquiat taschen basic art series ürününü idifix kalitesiyle satın almak için hemen tıklayın tüm art ürünleri için idifix i ziyaret edin

taschen books jean michel basquiat basic art series - Sep 18 2023

web each book in taschen s basic art series features a detailed chronological summary of the life and oeuvre of the artist covering his or her cultural and historical importance a concise biography approximately 100 illustrations with explanatory captions

[Éditions taschen livres basic art series](#) - Dec 29 2021

web basic art series home livres basic art series 120 articles basic art series trier et filtrer trier par best selling titles thèmes art architecture design classiques photographie prix tous les prix jusqu'à us 50 appliquer des filtres 1920s berlin basic art us 20 ajouter au panier art abstrait basic art us 20 ajouter au panier

[basquiat taschen basic art series by emmerling leonhard](#) - May 02 2022

web dec 7 2015 booktopia has basquiat taschen basic art series by emmerling leonhard buy a discounted hardcover of basquiat online from australia s leading online bookstore

basquiat emmerling leonhard 9783836559799 abebooks - Dec 09 2022

web the subject of a feature film by fellow artist julian schnabel basquiat is one of the most admired artists to emerge from the 1980s art boom this book explores his short but prolific career from the streets of new york to the walls of its most prominent galleries young graffiti artist jean michel basquiat 1960 1988 was catapulted to

[basquiat 1981 sketchbook for arto lindsay at as if gallery](#) - Oct 27 2021

web may 13 2011 jean michel basquiat website with updated basquiat blog list of exhibitions and gallery shows basquiat works timeline links and bibliography site supports the 2010 book jean michel basquiat a biography by eric fretz there are some simple drawings of the heads crowns cars and other images typical of his work in 1980 and

basquiat basic art series 2 0 editorialist - Jun 03 2022

web multicolour paper basquiat basic art series 2 0 from taschen featuring hardback non fiction 96 pages 210 x 260 x 17 78mm taschen gmbh isbn 10 383655979x and isbn 13 9783836559799 basquiat basic art series 2 0 89 shop compare prices at farfetch from 0 stores view more beauty books assouline books mason books

[taschen basic art book series thriftbooks](#) - Feb 28 2022

web related series taschen basic genre taschen icons meesterlijk modern los impresionistas the taschen basic art book series

by multiple authors includes books salvador dalí matisse rivera and several more see the complete taschen basic art series book list in order box sets or omnibus editions and companion titles

basquiat taschen basic art pdf scribd - Jan 30 2022

web basquiat taschen basic art free download as pdf file pdf text file txt or read online for free this book profiles an icon of 1980s new york jean michel basquiat who first made his name under the graffiti tag samo before establishing his studio practice and catapulting to fast fame