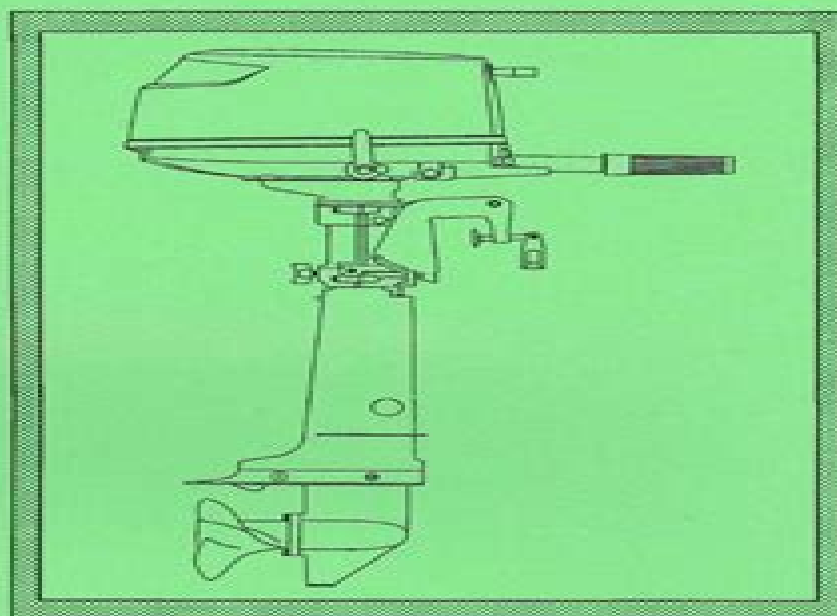


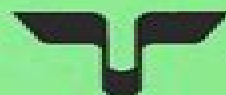
TOHATSU
OUTBOARD



**SERVICE
MANUAL**

4-Stroke Cycle

5



TOHATSU CORPORATION

Tohatsu 70a Service Manual

Katrin Zwirgmaier



Tohatsu 70a Service Manual:

GMC Truck Service Manual, Series 7500 Thru 9502 ,1973

When people should go to the books stores, search launch by shop, shelf by shelf, it is in fact problematic. This is why we provide the ebook compilations in this website. It will categorically ease you to look guide **Tohatsu 70a Service Manual** as you such as.

By searching the title, publisher, or authors of guide you truly want, you can discover them rapidly. In the house, workplace, or perhaps in your method can be every best area within net connections. If you mean to download and install the Tohatsu 70a Service Manual, it is enormously simple then, back currently we extend the belong to to purchase and make bargains to download and install Tohatsu 70a Service Manual suitably simple!

<https://hersolutiongelbuy.com/public/browse/fetch.php/polaris%20ranger%20xp%20700%204x4%206x6%202007%20workshop%20repair%20manual.pdf>

Table of Contents Tohatsu 70a Service Manual

1. Understanding the eBook Tohatsu 70a Service Manual
 - The Rise of Digital Reading Tohatsu 70a Service Manual
 - Advantages of eBooks Over Traditional Books
2. Identifying Tohatsu 70a Service Manual
 - Exploring Different Genres
 - Considering Fiction vs. Non-Fiction
 - Determining Your Reading Goals
3. Choosing the Right eBook Platform
 - Popular eBook Platforms
 - Features to Look for in an Tohatsu 70a Service Manual
 - User-Friendly Interface
4. Exploring eBook Recommendations from Tohatsu 70a Service Manual
 - Personalized Recommendations
 - Tohatsu 70a Service Manual User Reviews and Ratings

- Tohatsu 70a Service Manual and Bestseller Lists
- 5. Accessing Tohatsu 70a Service Manual Free and Paid eBooks
 - Tohatsu 70a Service Manual Public Domain eBooks
 - Tohatsu 70a Service Manual eBook Subscription Services
 - Tohatsu 70a Service Manual Budget-Friendly Options
- 6. Navigating Tohatsu 70a Service Manual eBook Formats
 - ePub, PDF, MOBI, and More
 - Tohatsu 70a Service Manual Compatibility with Devices
 - Tohatsu 70a Service Manual Enhanced eBook Features
- 7. Enhancing Your Reading Experience
 - Adjustable Fonts and Text Sizes of Tohatsu 70a Service Manual
 - Highlighting and Note-Taking Tohatsu 70a Service Manual
 - Interactive Elements Tohatsu 70a Service Manual
- 8. Staying Engaged with Tohatsu 70a Service Manual
 - Joining Online Reading Communities
 - Participating in Virtual Book Clubs
 - Following Authors and Publishers Tohatsu 70a Service Manual
- 9. Balancing eBooks and Physical Books Tohatsu 70a Service Manual
 - Benefits of a Digital Library
 - Creating a Diverse Reading Collection Tohatsu 70a Service Manual
- 10. Overcoming Reading Challenges
 - Dealing with Digital Eye Strain
 - Minimizing Distractions
 - Managing Screen Time
- 11. Cultivating a Reading Routine Tohatsu 70a Service Manual
 - Setting Reading Goals Tohatsu 70a Service Manual
 - Carving Out Dedicated Reading Time
- 12. Sourcing Reliable Information of Tohatsu 70a Service Manual
 - Fact-Checking eBook Content of Tohatsu 70a Service Manual
 - Distinguishing Credible Sources

-
13. Promoting Lifelong Learning
 - Utilizing eBooks for Skill Development
 - Exploring Educational eBooks
 14. Embracing eBook Trends
 - Integration of Multimedia Elements
 - Interactive and Gamified eBooks

Tohatsu 70a Service Manual Introduction

Free PDF Books and Manuals for Download: Unlocking Knowledge at Your Fingertips In today's fast-paced digital age, obtaining valuable knowledge has become easier than ever. Thanks to the internet, a vast array of books and manuals are now available for free download in PDF format. Whether you are a student, professional, or simply an avid reader, this treasure trove of downloadable resources offers a wealth of information, conveniently accessible anytime, anywhere. The advent of online libraries and platforms dedicated to sharing knowledge has revolutionized the way we consume information. No longer confined to physical libraries or bookstores, readers can now access an extensive collection of digital books and manuals with just a few clicks. These resources, available in PDF, Microsoft Word, and PowerPoint formats, cater to a wide range of interests, including literature, technology, science, history, and much more. One notable platform where you can explore and download free Tohatsu 70a Service Manual PDF books and manuals is the internet's largest free library. Hosted online, this catalog compiles a vast assortment of documents, making it a veritable goldmine of knowledge. With its easy-to-use website interface and customizable PDF generator, this platform offers a user-friendly experience, allowing individuals to effortlessly navigate and access the information they seek. The availability of free PDF books and manuals on this platform demonstrates its commitment to democratizing education and empowering individuals with the tools needed to succeed in their chosen fields. It allows anyone, regardless of their background or financial limitations, to expand their horizons and gain insights from experts in various disciplines. One of the most significant advantages of downloading PDF books and manuals lies in their portability. Unlike physical copies, digital books can be stored and carried on a single device, such as a tablet or smartphone, saving valuable space and weight. This convenience makes it possible for readers to have their entire library at their fingertips, whether they are commuting, traveling, or simply enjoying a lazy afternoon at home. Additionally, digital files are easily searchable, enabling readers to locate specific information within seconds. With a few keystrokes, users can search for keywords, topics, or phrases, making research and finding relevant information a breeze. This efficiency saves time and effort, streamlining the learning process and allowing individuals to focus on extracting the information they need. Furthermore, the availability of free PDF books and manuals fosters a culture of continuous learning. By removing

financial barriers, more people can access educational resources and pursue lifelong learning, contributing to personal growth and professional development. This democratization of knowledge promotes intellectual curiosity and empowers individuals to become lifelong learners, promoting progress and innovation in various fields. It is worth noting that while accessing free Tohatsu 70a Service Manual PDF books and manuals is convenient and cost-effective, it is vital to respect copyright laws and intellectual property rights. Platforms offering free downloads often operate within legal boundaries, ensuring that the materials they provide are either in the public domain or authorized for distribution. By adhering to copyright laws, users can enjoy the benefits of free access to knowledge while supporting the authors and publishers who make these resources available. In conclusion, the availability of Tohatsu 70a Service Manual free PDF books and manuals for download has revolutionized the way we access and consume knowledge. With just a few clicks, individuals can explore a vast collection of resources across different disciplines, all free of charge. This accessibility empowers individuals to become lifelong learners, contributing to personal growth, professional development, and the advancement of society as a whole. So why not unlock a world of knowledge today? Start exploring the vast sea of free PDF books and manuals waiting to be discovered right at your fingertips.

FAQs About Tohatsu 70a Service Manual Books

How do I know which eBook platform is the best for me? Finding the best eBook platform depends on your reading preferences and device compatibility. Research different platforms, read user reviews, and explore their features before making a choice. Are free eBooks of good quality? Yes, many reputable platforms offer high-quality free eBooks, including classics and public domain works. However, make sure to verify the source to ensure the eBook credibility. Can I read eBooks without an eReader? Absolutely! Most eBook platforms offer web-based readers or mobile apps that allow you to read eBooks on your computer, tablet, or smartphone. How do I avoid digital eye strain while reading eBooks? To prevent digital eye strain, take regular breaks, adjust the font size and background color, and ensure proper lighting while reading eBooks. What the advantage of interactive eBooks? Interactive eBooks incorporate multimedia elements, quizzes, and activities, enhancing the reader engagement and providing a more immersive learning experience. Tohatsu 70a Service Manual is one of the best book in our library for free trial. We provide copy of Tohatsu 70a Service Manual in digital format, so the resources that you find are reliable. There are also many Ebooks of related with Tohatsu 70a Service Manual. Where to download Tohatsu 70a Service Manual online for free? Are you looking for Tohatsu 70a Service Manual PDF? This is definitely going to save you time and cash in something you should think about.

Find Tohatsu 70a Service Manual :

[polaris ranger xp 700 4x4 6x6 2007 workshop repair manual](#)

[polaris sportsman 500 h o 2012 factory service repair manual](#)

[polaris blazer manual](#)

polaroid sx 70 land camera sonar onestep manual

polaris scrambler 400 4x4 1998 factory service repair manual

polaroid one instant camera manual

polaris snowmobile deepsnow service manual 2005

[polaris phoenix 200cc service manual](#)

[polaris snowmobile 2003 repair and service manual prox](#)

[polaris ranger 4x4 manual](#)

[polaroid film camera manual](#)

[polaris hose manual](#)

[polaris trailblazer 250 repair manual](#)

polaris predator 500 tld repair manual

[polaroid hd digital camcorder dvf 720 manual](#)

Tohatsu 70a Service Manual :

half the sky how to change the world amazon in - May 16 2022

web 19 14 17 books politics freedom security buy new 799 00 inclusive of all taxes free delivery monday 14 august details or fastest delivery tomorrow 9 august

idarah columbia mo s review of half the sky how to change - Jun 16 2022

web feb 5 2014 half the sky focuses on human rights violations against women around the world but mostly in africa and asia divided into areas of concern such as sex

half the sky how to change the world kindle edition - Apr 26 2023

web aug 5 2010 half the sky how to change the world kindle edition by kristof nicholas d sheryl wudunn download it once and read it on your kindle device pc phones or

half the sky how to change the world by kristof nicholas d - Nov 09 2021

web buy half the sky how to change the world by kristof nicholas d wudunn sheryl 2010 paperback by kristof nicholas d isbn

from amazon s book store everyday

half the sky how to change the world amazon com au - Sep 07 2021

web select the department you want to search in

[half the sky how to change the world by kristof nicholas d](#) - Oct 21 2022

web half the sky how to change the world by kristof nicholas d wudunn sheryl 2010 paperback paperback 4 6 3 000 ratings
see all formats and editions kindle 12 99 read

half the sky how to change the world paperback amazon - Feb 10 2022

web when half of our world is debased and marginalized and not permitted to actively participate in society the world is a poorer place we are talking about the female in

half the sky how to change the world google play - Feb 22 2023

web half the sky how to change the world ebook written by nicholas d kristof sheryl wudunn read this book using google play books app on your pc android ios

[half the sky how to change the world kapak resmi deęişebilir](#) - Jul 18 2022

web half the sky how to change the world kapak resmi deęişebilir kristof nicholas d wudunn sheryl amazon com tr kitap
it s time to engineer the sky scientific american - Dec 11 2021

web sep 19 2023 using machines to remove billions of tons of co 2 from the skies a process called direct air capture could slow warming but would be fighting itself the machines

half the sky how to change the world amazon co uk - Jun 28 2023

web buy half the sky how to change the world first vintage books edition by kristof nicholas d wudunn sheryl isbn 9781844086825 from amazon s book store

half the sky how to change the world google books - May 28 2023

web with pulitzer prize winners nicholas d kristof and sheryl wudunn as our guides we undertake a journey through africa and asia to meet an extraordinary array of women

[half the sky how to change the world amazon com au](#) - Sep 19 2022

web in the twenty first kristof and wudunn demonstrate it will be the struggle for gender equality in the developing world fierce moral pragmatic full of amazing stories of

half the sky how to change the world by nicholas d kristof 5 - Jan 12 2022

web buy half the sky how to change the world by nicholas d kristof 5 aug 2010 paperback by isbn from amazon s book store everyday low prices and free delivery

half the sky how to change the world softcover abebooks - Jan 24 2023

web synopsis about this title pulitzer prize winning reporting team husband and wife nicholas d kristof and sheryl wudunn take us on a journey through africa and asia to meet an

half the sky how to change the world kristof nicholas d 1959 - Apr 14 2022

web two pulitzer prize winners issue a call to arms against our era s most pervasive human rights violation the oppression of women in the developing world they show that a little

half the sky how to change the world goodreads - Aug 31 2023

web sep 8 2008 4 28 54 529 ratings5 322 reviews pulitzer prize winning reporting team husband and wife nicholas d kristof and sheryl wudunn take us on a journey through africa and asia to meet an extraordinary array of exceptional women struggling against

half the sky how to change the world google books - Jul 30 2023

web aug 5 2010 in the twenty first kristof and wudunn demonstrate it will be the struggle for gender equality in the developing world fierce moral pragmatic full of amazing stories

[half the sky how to change the world kindle edition amazon in](#) - Aug 19 2022

web pulitzer prize winning reporting team husband and wife nicholas d kristof and sheryl wudunn take us on a journey through africa and asia to meet an extraordinary array of

[half the sky how to change the world kindle edition](#) - Mar 26 2023

web pulitzer prize winning reporting team husband and wife nicholas d kristof and sheryl wudunn take us on a journey through africa and asia to meet an extraordinary array of

half the sky how to change the world kindle edition amazon ca - Oct 09 2021

web half the sky how to change the world ebook kristof nicholas d sheryl wudunn amazon ca kindle store

half the sky how to change the world kağıt kapak - Mar 14 2022

web pulitzer prize winning reporting team husband and wife nicholas d kristof and sheryl wudunn take us on a journey through africa and asia to meet an extraordinary array of

half the sky how to change the world kindle edition - Dec 23 2022

web in the twenty first kristof and wudunn demonstrate it will be the struggle for gender equality in the developing world fierce moral pragmatic full of amazing stories of

[half the sky how to change the world worldcat org](#) - Nov 21 2022

web summary pulitzer prize winning reporting team husband and wife nicholas d kristof and sheryl wudunn take us on a journey through africa and asia to meet an extraordinary

free google ads training for every kind of advertiser google - Jul 14 2023

web get google ads certified showcase you ve got what it takes to create measure and optimize your campaigns grow your google ad skills courses mix marketing strategy and product tactics and are built around real world case studies and common business scenarios so you develop actionable marketing and product know how you can apply

google ads adwords certification courses udemy - Jul 02 2022

web google ads adwords certification relates to marketing paid advertising 396 524 learners featured course ultimate google ads training 2021 profit with pay per click google ads 2021 how our clients have transformed their sales using google ads get your google ads certification by isaac rudansky updated october 2021

google ads certification course get certified earn udemy - Dec 27 2021

web requirements no any one can take this course no marketing knowledge needed description google ads beginners course to become pro in google ads get google ads certificate after clearing the exam clear google ads google adwords search certification in first attempt make your resume start applying for jobs or do

certificate in digital marketing e commerce grow with google - Jun 01 2022

web get started in the high growth fields of digital marketing and e commerce with a professional certificate from google learn to manage digital marketing campaigns attract and engage customers and sell products online get started on no relevant experience required 100 remote online learning under 10 hours of study a week

google ads training on skillshop google ads help - Apr 11 2023

web get google ads certified in search display measurement video and shopping ads achieving google certified status can help you signal your expertise to the industry or simply feel

how to get a google ads certification hubspot blog - Feb 09 2023

web jan 6 2021 if you re looking to get a google ads certificate you ve come to the right place here we ve created a guide that will explain why a google ads certification through google s skillshop is helpful and how you can prepare

step by step guide to earning your google ads certification - Aug 03 2022

web aug 14 2022 step 1 get started in skillshop navigate to the google ads certification platform within skillshop in the top right corner click log in now we re at a critical step right away we want

guide to google adwords training turn profit with ppc udemy - Sep 04 2022

web jan 4 2020 google ads 2021 how our clients have transformed their sales using google ads get your google ads certification bestseller 4 6 51 097 ratings 211 362 students created by isaac rudansky last updated 10 2021 english auto arabic auto 13 more ultimate google ads training 2021 profit with pay per click bestseller 4 6 51 097

À propos des certifications google ads aide google ads - Mar 10 2023

web les certifications ads sont des accréditations professionnelles que google accorde aux personnes démontrant leur

maîtrise des aspects fondamentaux et avancés de google ads les

skillshop google search - May 12 2023

web explore skillshop find online product training and certifications right for you google ads grow your skills using google ads to advertise your business online and get google ads certified google marketing platform discover how google marketing platform can help you plan execute and measure your ad campaigns analytics academy

best google ads courses certifications 2023 coursera - Nov 06 2022

web best google ads courses certifications 2023 coursera online learning filter by 34 results for google ads coursera project network google ads for beginners skills you ll gain digital marketing martech marketing marketing design research and design web design web development advertising communication 4 5 3 6k reviews

about google ads certifications google ads help - Aug 15 2023

web the certifications are available for the following google ads product areas google ads search google ads display google ads video shopping ads google ads apps google ads

google ads certifications how to get certified in google ads - Jan 28 2022

web jan 17 2023 a google ads certification is awarded by google to individuals who successfully pass one or more google ads exams google ads certification holders demonstrate proficiency in having basic and advanced google ads skills

google ads certifications google intellum - Jun 13 2023

web google ads creative certification earn a google ads creative certification by demonstrating your ability to make effective ads for video display app and search campaigns prepare for the certification by completing the diagnostic assessment or proceed to get certified path duration 3 9h rating 4 6 beginner award

how to get the google adwords certification in 20 mins - Apr 30 2022

web as you probably already know all three google adwords certification exams advertising fundamentals advanced search advanced display are at least 88 questions long with two hours to use while taking each test here s the breakdown of passing scores advertising fundamentals 80 search advanced 80 display advanced 80

google ads video certification - Feb 26 2022

web nov 2 2022 google ads certifications ai powered ads apply your google ads knowledge build upon your google ads expertise google ads discovery google ads measurement google ads apps google academy on air google ads tutorial series get to know google solutions google marketing platform certification exams display

google adwords certification become certified earn more udemy - Oct 05 2022

web marketing paid advertising google ads adwords certification preview this course google adwords certification become certified earn more become google adwords ads certified to land a job get promoted or start a whole new career 4 5 2 180

ratings 12 030 students created by daragh walsh last updated 2 2023

[google ads search certification](#) - Jan 08 2023

web aug 10 2023 by earning the google ads search certification google recognizes your ability to translate a vision for online marketing into a coherent digital marketing strategy develop a google search strategy with wider company marketing plans generate a plan to increase leads sales or web traffic using google search

google adwords certification in 2 days 2 courses in 1 udemy - Mar 30 2022

web google adwords certification course is a 2 in 1 course that will help you prepare and get google adwords certification in just 2 days for two exams google adwords fundamentals certification google search advertising certification so what will you get in this google adwords certification course

online courses with certificates grow with google - Dec 07 2022

web google career certificates gain in demand job skills flexible online training programs designed to put you on the fast track to jobs in high growth fields no experience necessary get professional job training from google overview professional certificates path to jobs faqs no experience necessary learn job ready skills 2 4m

physik lehr und Übungsbuch von d giancoli 4 auflage buch - Aug 15 2023

web das bedeutet über 300 digitale arbeitsblätter zu den beispielen im buch erweiterte phet animationen und simulationen ein klausurtrainer und über 1 000 mcqs der zugangscod für mylab physik gültig für 36 monate ist im buch enthalten

[physik mit elearning zugang mylab physik lehr und alice](#) - Aug 03 2022

web physik mit elearning zugang mylab physik lehr und is available in our digital library an online access to it is set as public so you can download it instantly our books collection saves in multiple locations allowing you to get the most less latency time to

physik mit elearning zugang mylab physik lehr und pdf - Nov 06 2022

web jul 14 2023 physik mit elearning zugang mylab physik lehr und 2 11 downloaded from uniport edu ng on july 14 2023 by guest gives a comprehensive introduction to the popular comsol multiphysics 5 software this third edition contains extensive coverage of both microfluidics and computational fluid

physik lehr und Übungsbuch von d giancoli 4 auflage - Feb 26 2022

web das bedeutet über 300 digitale arbeitsblätter zu den beispielen im buch erweiterte phet animationen und simulationen ein klausurtrainer und über 1 000 mcqs der zugangscod für mylab physik gültig für 36 monate ist im buch enthalten

physik mit elearning zugang mylab physik lehr und übungsbuch - Dec 07 2022

web jun 10 2023 physik mit elearning zugang mylab physik lehr und übungsbuch pearson studium physik by douglas c giancoli vierten auflage aktualisierte giancoli ist der klassiker unter diesen lehrbüchern und langjährig in der lehre etabliert

experimentalphysik 1 mit elearning zugang mylab amazon de - Jan 08 2023

web experimentalphysik 1 mit elearning zugang mylab experimentalphysik 1 mechanik und wärme pearson studium physik erdmann martin flügge günter isbn 9783868944167 kostenloser versand für alle bücher mit

physik mit elearning zugang mylab physik lehr und übungsbuch - May 12 2023

web physik mit elearning zugang mylab physik lehr und übungsbuch pearson studium physik by douglas c giancoli mylab physik und den vielen learn a little do a little beispiele eine konkurrenzlose auswahl an medien und online ressourcen die das verständnis der physik verbessern

giancoli physik mit elearning zugang mylab amazon de - Jun 13 2023

web mit elearning zugang mylab physik gymnasiale oberstufe gymnasiale oberstufe pearson studium physik schule giancoli douglas c isbn 9783868949155 kostenloser versand für alle bücher mit versand und verkauf durch amazon

physik mit elearning zugang mylab physik lehr und hugh d - Jul 02 2022

web physik mit elearning zugang mylab physik lehr und when people should go to the book stores search initiation by shop shelf by shelf it is really problematic this is why we provide the book compilations in this website it will unquestionably ease you to look guide physik mit elearning zugang mylab physik lehr und as you such as

physik lehr und Übungsbuch pearson studium physik - Jul 14 2023

web physik lehr und Übungsbuch pearson studium physik giancoli douglas c isbn 9783868943634 kostenloser versand für alle bücher mit versand und verkauf durch amazon

myphysicslab startseite - Apr 30 2022

web mar 14 2023 mit feder achterbahn mit zwei kugeln achterbahn mit flug starrkörper achterbahn brachistochrone billiard hängende kette newton s wiege nichts machen mühle pendel uhr auto aufhängung doppel pendel mit physik engine wagen pendel mit physik engine mars mond rundobjekte haufen haufen anziehend polygon formen

ankara yıldırım beyazıt Üniversitesi - Sep 04 2022

web mar 4 2019 fizik ii lab duyurusu 4 3 2019 physics ii lab sections will start on 4 8 march 2019 as in department lecture schedule at ab 318 3rd floor you can find lab documents from the link below 4 8 mart 2019 haftasında ab 318 3 kat fizik ii labı ilgili her bölüm için ders programındaki ilgili saatlerde başlayacaktır

physik mit elearning zugang mylab physik lehr und übungsbuch - Jan 28 2022

web physik mit elearning zugang mylab physik lehr und übungsbuch pearson studium physik by douglas c giancoli verknüpfungen zu weiteren pdf arbeitsblätter aus den tutorien zur physik 978 3 8273 7322 9 eingepflegt

physik mit elearning zugang mylab physik lehr und übungsbuch - Dec 27 2021

web may 19th 2020 physik mit elearning zugang mylab physik lehr und übungsbuch pearson studium physik jetzt bei kaufen

79 95 bestrahlungsverfahren lexikon der physik

amazon de kundenrezensionen physik lehr und Übungsbuch - Apr 11 2023

web finde hilfreiche kundenrezensionen und rezensionsbewertungen für physik lehr und Übungsbuch pearson studium

physik auf amazon de lese ehrliche und unvoreingenommene rezensionen von unseren nutzern

physik mit elearning zugang mylab physik lehr und james o - Jun 01 2022

web physik mit elearning zugang mylab physik lehr und when people should go to the book stores search establishment by shop shelf by shelf it is truly problematic this is why we give the books compilations in this website it will categorically ease

you to see guide physik mit elearning zugang mylab physik lehr und as you such as

physik mit elearning zugang mylab physik lehr und - Feb 09 2023

web physik mit elearning zugang mylab physik lehr und evaluation metakognition und assessment nov 15 2021 evaluation metakognition und assessment finden auf unterschiedlichen ebene und in unterschiedlichen bezügen statt auf curricularer ebene auf personaler ebene im lernprozess durch und mit den beteiligten

ebene auf personaler ebene im lernprozess durch und mit den beteiligten

physik mit elearning zugang mylab physik lehr und Übungsbuch - Mar 10 2023

web physik mit elearning zugang mylab physik lehr und Übungsbuch pearson studium physik by douglas c giancoli doch

einfach das dort befindliche ebook entweder über den browser oder über unsere app im wahrsten sinne ein learning to go

der zugangscod für mylab physik gültig für 36 monate ist im buch enthalten

sign in gitlab - Mar 30 2022

web gitlab community edition

physik mit elearning zugang mylab physik lehr und Übungsbuch - Oct 05 2022

web jul 18 2023 kundenrezensionen moderne physik ein lehr und physik testberichte amp bewertungen 2020 bestseller de

kundenrezensionen physik mit elearning zugang online lehren und lernen ll physik test preisvergleich amp ratgeber online

kptm edu my 2 36