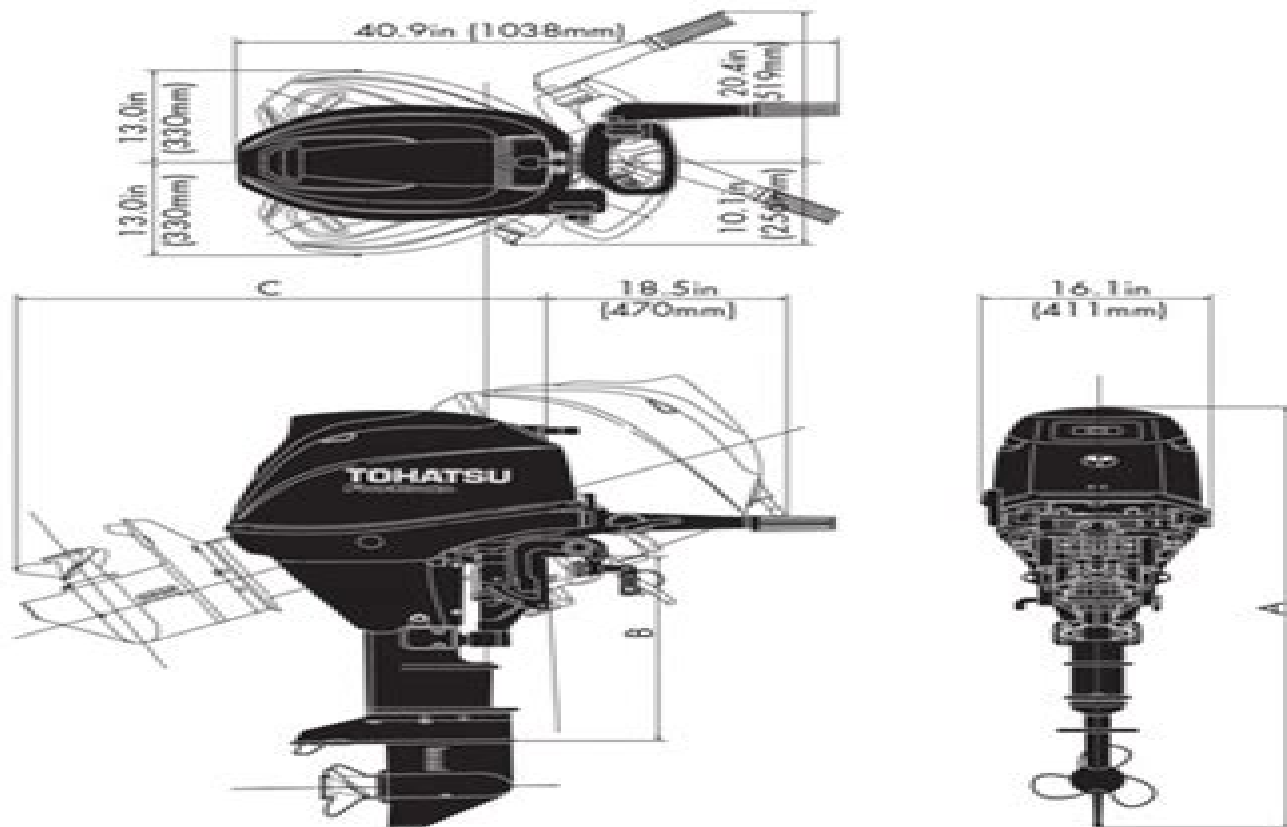


Dimensions



Dry Weight

(lbs./kg)

Model	MF	E	ET
Transom S:	-	161 (73.0)	179 (81.0)
Transom L:	161 (73.0)	164 (74.5)	182 (82.5)

Dimensions

(mm/in)

Model	A	B	C
Transom S:	46.8 (1189)	15.9 (404)	29.8 (756)
Transom L:	52.6 (1337)	21.7 (552)	34.9 (887)

Tohatsu Outboard 25hp 50hp Engine Shop Manual

Editors of Haynes Manuals



Tohatsu Outboard 25hp 50hp Engine Shop Manual:

Outboard Engines Edwin R. Sherman,1997 *Outboard Engines* fills the gap between owner s manuals that don t even tell you how to change a spark plug and professional shop manuals that detail how to do a complete rebuild It covers basic principles and techniques for a wide variety of outboards four stroke as well as two stroke with the emphasis on maintenance and advanced troubleshooting Ed Sherman s clear explanations and diagrams take you step by step through the basics and beyond helping you track down even the most elusive problems a modern outboard can throw in your way his methodical approach can save you a world of frustration and peril as well as time and a half weekend mechanics charges **Tohatsu Outboard Motor** ,1984 Popular Mechanics ,1981-06 *Popular Mechanics* inspires instructs and influences readers to help them master the modern world Whether it s practical DIY home improvement tips gadgets and digital technology information on the newest cars or the latest breakthroughs in science PM is the ultimate guide to our high tech lifestyle Tohatsu 2-Stroke OB 92-00 Penton Staff,2000-05-24 2 5 HP 3 5 HP 5 HP 8 HP 9 8 HP 9 9 HP 15 HP 18 HP 25 HP 30 HP 40 HP 50 HP 60 HP 70 HP 80 HP 90 HP 115 HP 120 HP 140 HP *Shop Manual* Tokyo Hatsudoki Co., Ltd,19?? *Seloc Nissan/Tohatsu Outboards 1992-09 Repair Manual* (Seloc) Seloc,2010 Covers all 2 140 HP 2 stroke and 4 stroke engines including EFI TLDI Front cover Shop Manual Tokyo Hatsudoki Co., Ltd,19?? *Tohatsu Outboard Motor, M5A2, M3.5A* ,1981 *Johnson/Evinrude Four-stroke outboard Motor Shop Manual* Penton Staff,2000-05-24 5 HP 1997 2001 6 HP 1997 2001 8 HP 1995 2001 9 9 HP 211cc 1997 1998 9 9 HP 305cc 1995 2001 15 HP 1995 2001 40 HP 1999 2001 50 HP 1999 2001 70 HP 1999 2001 Outboard Motors Maintenance and Repair Manual Jean-Luc Pallas,2006 **Outboard Motor Service Vol 2 Ed 11** Penton Staff,2000-05-24 *Vintage marine outboard motors 30 horsepower and above produced from 1969 1989* **AC Maintenance & Repair Manual for Outboard Motors** Jean Luc Pallas,2013-08-10 The aim of this book with its detailed step by step colour photographs and diagrams is to enable every owner to fix their outboard motor with ease Troubleshooting tables help diagnose potential problems and there is advice on regular maintenance and winterising and repair Jean Luc Pallas s enthusiasm for passing on his knowledge as well as his clear explanations precise advice and step by step instructions make this a unique book Understand the Outboard Motor Eugene Stagner,1998 A must have guide for small engine repair journeymen this practical manual on outboard mechanics ideal for use in conjunction with a factory service manual explains the technical theory of operation necessary to prepare for certification or recertification tests empowering readers with a basic understanding that will help them troubleshoot and repair quickly and with confidence Reflecting today s latest advances it presents the fundamentals of two and four cycle outboards with thorough coverage of theory diagnostics service and major repairs and thoroughly examines such present day technology as oil injection fuel injection and electronic ignition systems Adds new material on four stroke outboard powerhead engines and more Various boating performance problems are considered and precautionary sections are included Safety You Are In Charge a safety presentation on school

shop tools and situations plus Coast Guard Rules For The Road Outboard Motor Service Manual ,1983 Outboard Motor Service Manual ,1960 Outboard Motor Service Manual Intertec Publishing Corporation,1985-10-01 **Clymer Yamaha Outboard Shop Manual** Mark Rolling,Clymer Publications,2004 **Understanding the Outboard Motor** Eugene Stagner,1985 Reflecting the latest advances this practical manual on outboard mechanics explains the technical theory of operation necessary to prepare for certification or re certification tests It empowers users with a basic understanding that will help them troubleshoot and repair quickly and with confidence Chapter topics include the general use and maintenance of outboard motors two stroke and four stroke operation two stroke and four stroke powerhead electricity electronics for the technician the marine battery starter system alternator charging system ignition systems fuel system operation tune up midsection lower unit trim and tilt system propeller performance and boat performance problems For outboard mechanics boat owners and marine dealerships **Yamaha Outboard Shop Manual** Editors of Haynes Manuals,2014-12-15 Yamaha 75 HP 80 HP 90 HP 100 HP 115 HP Inline 4 and 200 HP 225 HP and 250 HP 3 3L V6 Outboards manual Includes Color Wiring Diagrams Clymer Marine and PWC manuals are the 1 source for DIY maintenance troubleshooting and repair With step by step procedures combined with detailed photography and extensive use of exploded parts views Clymer manuals are a must have tool for the do it yourselfer Models Covered Yamaha 75 HP 2000 20013 Yamaha 80 HP 2000 2013 Yamaha 90 HP 2000 2013 Yamaha 100 HP 2000 2013 Yamaha 115 HP 2000 2013 Yamaha 200 HP 2000 2013 Yamaha 225 HP 2000 2013 Yamaha 250 HP 2000 2013 **Seloc Honda Outboards 2002-08 Repair Manual** Seloc SELOC,2009 Provides a guide to the Honda outboard motor featuring step by step illustrated procedures trouble shooting and wiring diagrams

Reviewing **Tohatsu Outboard 25hp 50hp Engine Shop Manual**: Unlocking the Spellbinding Force of Linguistics

In a fast-paced world fueled by information and interconnectivity, the spellbinding force of linguistics has acquired newfound prominence. Its capacity to evoke emotions, stimulate contemplation, and stimulate metamorphosis is truly astonishing. Within the pages of "**Tohatsu Outboard 25hp 50hp Engine Shop Manual**," an enthralling opus penned by a highly acclaimed wordsmith, readers embark on an immersive expedition to unravel the intricate significance of language and its indelible imprint on our lives. Throughout this assessment, we shall delve to the book is central motifs, appraise its distinctive narrative style, and gauge its overarching influence on the minds of its readers.

<https://hersolutiongelbuy.com/results/scholarship/index.jsp/Schematic%20Diagram%20Of%20Kia%20Picanto%20Automatic%20Transmission.pdf>

Table of Contents Tohatsu Outboard 25hp 50hp Engine Shop Manual

1. Understanding the eBook Tohatsu Outboard 25hp 50hp Engine Shop Manual
 - The Rise of Digital Reading Tohatsu Outboard 25hp 50hp Engine Shop Manual
 - Advantages of eBooks Over Traditional Books
2. Identifying Tohatsu Outboard 25hp 50hp Engine Shop Manual
 - Exploring Different Genres
 - Considering Fiction vs. Non-Fiction
 - Determining Your Reading Goals
3. Choosing the Right eBook Platform
 - Popular eBook Platforms
 - Features to Look for in an Tohatsu Outboard 25hp 50hp Engine Shop Manual
 - User-Friendly Interface
4. Exploring eBook Recommendations from Tohatsu Outboard 25hp 50hp Engine Shop Manual
 - Personalized Recommendations
 - Tohatsu Outboard 25hp 50hp Engine Shop Manual User Reviews and Ratings

- Tohatsu Outboard 25hp 50hp Engine Shop Manual and Bestseller Lists
- 5. Accessing Tohatsu Outboard 25hp 50hp Engine Shop Manual Free and Paid eBooks
 - Tohatsu Outboard 25hp 50hp Engine Shop Manual Public Domain eBooks
 - Tohatsu Outboard 25hp 50hp Engine Shop Manual eBook Subscription Services
 - Tohatsu Outboard 25hp 50hp Engine Shop Manual Budget-Friendly Options
- 6. Navigating Tohatsu Outboard 25hp 50hp Engine Shop Manual eBook Formats
 - ePub, PDF, MOBI, and More
 - Tohatsu Outboard 25hp 50hp Engine Shop Manual Compatibility with Devices
 - Tohatsu Outboard 25hp 50hp Engine Shop Manual Enhanced eBook Features
- 7. Enhancing Your Reading Experience
 - Adjustable Fonts and Text Sizes of Tohatsu Outboard 25hp 50hp Engine Shop Manual
 - Highlighting and Note-Taking Tohatsu Outboard 25hp 50hp Engine Shop Manual
 - Interactive Elements Tohatsu Outboard 25hp 50hp Engine Shop Manual
- 8. Staying Engaged with Tohatsu Outboard 25hp 50hp Engine Shop Manual
 - Joining Online Reading Communities
 - Participating in Virtual Book Clubs
 - Following Authors and Publishers Tohatsu Outboard 25hp 50hp Engine Shop Manual
- 9. Balancing eBooks and Physical Books Tohatsu Outboard 25hp 50hp Engine Shop Manual
 - Benefits of a Digital Library
 - Creating a Diverse Reading Collection Tohatsu Outboard 25hp 50hp Engine Shop Manual
- 10. Overcoming Reading Challenges
 - Dealing with Digital Eye Strain
 - Minimizing Distractions
 - Managing Screen Time
- 11. Cultivating a Reading Routine Tohatsu Outboard 25hp 50hp Engine Shop Manual
 - Setting Reading Goals Tohatsu Outboard 25hp 50hp Engine Shop Manual
 - Carving Out Dedicated Reading Time
- 12. Sourcing Reliable Information of Tohatsu Outboard 25hp 50hp Engine Shop Manual
 - Fact-Checking eBook Content of Tohatsu Outboard 25hp 50hp Engine Shop Manual
 - Distinguishing Credible Sources

13. Promoting Lifelong Learning
 - Utilizing eBooks for Skill Development
 - Exploring Educational eBooks
14. Embracing eBook Trends
 - Integration of Multimedia Elements
 - Interactive and Gamified eBooks

Tohatsu Outboard 25hp 50hp Engine Shop Manual Introduction

In the digital age, access to information has become easier than ever before. The ability to download Tohatsu Outboard 25hp 50hp Engine Shop Manual has revolutionized the way we consume written content. Whether you are a student looking for course material, an avid reader searching for your next favorite book, or a professional seeking research papers, the option to download Tohatsu Outboard 25hp 50hp Engine Shop Manual has opened up a world of possibilities. Downloading Tohatsu Outboard 25hp 50hp Engine Shop Manual provides numerous advantages over physical copies of books and documents. Firstly, it is incredibly convenient. Gone are the days of carrying around heavy textbooks or bulky folders filled with papers. With the click of a button, you can gain immediate access to valuable resources on any device. This convenience allows for efficient studying, researching, and reading on the go. Moreover, the cost-effective nature of downloading Tohatsu Outboard 25hp 50hp Engine Shop Manual has democratized knowledge. Traditional books and academic journals can be expensive, making it difficult for individuals with limited financial resources to access information. By offering free PDF downloads, publishers and authors are enabling a wider audience to benefit from their work. This inclusivity promotes equal opportunities for learning and personal growth. There are numerous websites and platforms where individuals can download Tohatsu Outboard 25hp 50hp Engine Shop Manual. These websites range from academic databases offering research papers and journals to online libraries with an expansive collection of books from various genres. Many authors and publishers also upload their work to specific websites, granting readers access to their content without any charge. These platforms not only provide access to existing literature but also serve as an excellent platform for undiscovered authors to share their work with the world. However, it is essential to be cautious while downloading Tohatsu Outboard 25hp 50hp Engine Shop Manual. Some websites may offer pirated or illegally obtained copies of copyrighted material. Engaging in such activities not only violates copyright laws but also undermines the efforts of authors, publishers, and researchers. To ensure ethical downloading, it is advisable to utilize reputable websites that prioritize the legal distribution of content. When downloading Tohatsu Outboard 25hp 50hp Engine Shop Manual, users should also consider the potential security risks associated with online platforms. Malicious actors may exploit vulnerabilities in unprotected websites to distribute malware or steal personal

information. To protect themselves, individuals should ensure their devices have reliable antivirus software installed and validate the legitimacy of the websites they are downloading from. In conclusion, the ability to download Tohatsu Outboard 25hp 50hp Engine Shop Manual has transformed the way we access information. With the convenience, cost-effectiveness, and accessibility it offers, free PDF downloads have become a popular choice for students, researchers, and book lovers worldwide. However, it is crucial to engage in ethical downloading practices and prioritize personal security when utilizing online platforms. By doing so, individuals can make the most of the vast array of free PDF resources available and embark on a journey of continuous learning and intellectual growth.

FAQs About Tohatsu Outboard 25hp 50hp Engine Shop Manual Books

How do I know which eBook platform is the best for me? Finding the best eBook platform depends on your reading preferences and device compatibility. Research different platforms, read user reviews, and explore their features before making a choice. Are free eBooks of good quality? Yes, many reputable platforms offer high-quality free eBooks, including classics and public domain works. However, make sure to verify the source to ensure the eBook credibility. Can I read eBooks without an eReader? Absolutely! Most eBook platforms offer web-based readers or mobile apps that allow you to read eBooks on your computer, tablet, or smartphone. How do I avoid digital eye strain while reading eBooks? To prevent digital eye strain, take regular breaks, adjust the font size and background color, and ensure proper lighting while reading eBooks. What the advantage of interactive eBooks? Interactive eBooks incorporate multimedia elements, quizzes, and activities, enhancing the reader engagement and providing a more immersive learning experience. Tohatsu Outboard 25hp 50hp Engine Shop Manual is one of the best book in our library for free trial. We provide copy of Tohatsu Outboard 25hp 50hp Engine Shop Manual in digital format, so the resources that you find are reliable. There are also many Ebooks of related with Tohatsu Outboard 25hp 50hp Engine Shop Manual. Where to download Tohatsu Outboard 25hp 50hp Engine Shop Manual online for free? Are you looking for Tohatsu Outboard 25hp 50hp Engine Shop Manual PDF? This is definitely going to save you time and cash in something you should think about.

Find Tohatsu Outboard 25hp 50hp Engine Shop Manual :
schematic diagram of kia picanto automatic transmission
science achievement in seventeen countries iea retd
schaerer coffee art plus technical manual

schwinn scooter service manual

[schedule needed to report retirement distribution](#)

scholastic scope may 6 2013

[schumacher battery charger xc75 manual](#)

[science notebook glencoe chapter 8 covalent bonding answers](#)

[scholarship applications essay sample](#)

[science pictonary word list](#)

science of tourism level questions papers ncv

[scholarship-essay-contests-2012](#)

school life essay topics

schaums calculus solution manual 5th edition

[schwinn collegiate owners manual](#)

Tohatsu Outboard 25hp 50hp Engine Shop Manual :

handbook of algorithms for physical design automation google play - Oct 03 2022

web handbook of algorithms for physical design automation ebook written by charles j alpert dinesh p mehta sachin s sapatnekar read this book using google play books app on your pc android ios devices

[handbook of algorithms for physical design automation](#) - Aug 13 2023

web handbook of algorithms for physical design automation edited by charles j alpert dinesh p mehta sachin s sapatnekar ov crc press ycf i taylor francis group s boca raton london new york crc press is an imprint of the taylor francis group an informa business an auerbach book

handbook of algorithms for physical design automation guide books - Oct 15 2023

web explore state of the art techniques and trendshandbook of algorithms for physical design automation provides a detailed overview of vlsi physical design automation emphasizing state of the art techniques trends and improvements that have emerged during the previous decade after a brief introduction to the modern physical design

handbook of algorithms for physical design automation - Apr 28 2022

web handbook of algorithms for physical design automation provides a detailed overview of vlsi physical design automation emphasizing state of the art techniques trends and improvements that have emerged during the previous decade

[handbook of algorithms for physical design automation](#) - Dec 05 2022

web abstract offers a detailed overview of vlsi physical design automation after a brief introduction to the modern physical

design problem basic algorithmic techniques and partitioning this book discusses significant advances in floorplanning representations and describes formulations of the floorplanning problem isbn

handbook of algorithms for physical design automation - Feb 24 2022

web handbook of algorithms for physical design automation author charles j alpert publisher crc press isbn 1000654192 category computers languages en pages 1044 get book book description

handbook of algorithms for physical design automation - Nov 04 2022

web in optimization of vlsi physical design area minimization and interconnect length minimization is an important objective in physical design automation of very large scale integration chips the objective of minimizing the area and interconnect length would scale down the size of integrated chips

handbook of algorithms for physical design automation open - Apr 09 2023

web sep 20 2021 handbook of algorithms for physical design automation by charles j alpert dinesh p mehta and sachin s sapatnekar 0 ratings 0 want to read 0 currently reading 0 have read this edition doesn't have a description yet can you add one publish date 2019 publisher taylor francis group language english pages 1024 showing 4

handbook of algorithms for physical design automation - Aug 01 2022

web nov 12 2008 handbook of algorithms for physical design automation semantic scholar doi 10.1201/9781420013481 corpus id 20783084 handbook of algorithms for physical design automation c alpert d mehta

handbook of algorithms for physical design automation pdf - May 30 2022

web part i introduction chapter 1 introduction to physical design chapter 2 layout synthesis a retrospective chapter 3 metrics used in physical design part ii foundations chapter 4 basic data structures chapter 5 basic algorithmic techniques chapter 6 optimization techniques for circuit design applications chapter 7

handbook of algorithms for physical design automation 2023 - Feb 07 2023

web the book provides contents on vlsi physical design automation design of vlsi devices and also its impact on physical design the book is intended as a reference book for senior undergraduate first year post graduate students researchers as well as academicians in vlsi design electronics electrical engineering and materials science

handbook of algorithms for physical design automation - Jun 11 2023

web nov 12 2008 explore state of the art techniques and trendshandbook of algorithms for physical design automation provides a detailed overview of vlsi physical design automation emphasizing state of the art techniques trends and improvements that have emerged during the previous decade

handbook of algorithms for physical design automation - Jun 30 2022

web handbook of algorithms for physical design automation with particular emphasis on state of the art techniques trends

and improvements that have emerged over the last decade this comprehensive text provides a detailed overview of

handbook of algorithms for physical design automation - Jan 06 2023

web the text also addresses issues of placement net layout and optimization routing multiple signal nets manufacturability physical synthesis special nets and designing for specialized technologies it includes a personal perspective from ralph otten as he looks back on the major technical milestones in the history of physical design automation

handbook of algorithms for physical design automation - Jul 12 2023

web nov 12 2008 the physical design flow of any project depends upon the size of the design the technology

handbook of algorithms for physical design automation oa - Sep 02 2022

web explore state of the art techniques and trendshandbook of algorithms for physical design automation provides a detailed overview of vlsi physical design automation emphasizing state of the art techniques trends and improvements that have emerged during the previous decade

handbook of algorithms for physical design automation - May 10 2023

web nov 12 2008 physical design is greatly enhanced by applying graph optimization algorithms to circuit partitioning floorplanning placement and routing keywordsgraphs in vlsivlsi abstraction

handbook of algorithms for physical design automation - Mar 28 2022

web sep 11 2019 handbook of algorithms for physical design automation provides a detailed overview of vlsi physical includes a personal perspective from ralph otten as he looks back on the major technical milestones in the history of physical design automation although several books on this topic are currently available most are either

handbook of algorithms for physical design automation - Mar 08 2023

web nov 12 2008 handbook of algorithms for physical design automation provides a detailed overview of vlsi

handbook of algorithms for physical design automation - Sep 14 2023

web handbook of algorithms for physical design automation provides a detailed overview of vlsi physical design automation emphasizing state of the art techniques trends and improvements that have emerged during the previous decade

beyond outrage expanded edition by robert b reich - Aug 17 2023

web this new enhanced edition of robert b reich s beyond outrage features five entertaining and informative videos over 20 illustrations by the author and updated material america s economy and democracy are working for the benefit of

beyond outrage what has gone wrong with our economy an - Oct 19 2023

web jan 1 2012 robert b reich 4 06 2 108 ratings234 reviews in this ebook exclusive robert b reich urges americans to get beyond mere outrage about the nation s increasingly concentrated wealth and corrupt politics in order to mobilize and to take back our economy and democracy

beyond outrage enhanced edition on apple books - Feb 11 2023

web this new enhanced edition of robert b reich s *beyond outrage* features five entertaining and informative videos over 20 illustrations by the author and updated material america s economy and democracy are working for the benefit of

beyond outrage expanded edition what has gone wrong with - Aug 05 2022

web buy *beyond outrage expanded edition what has gone wrong with our economy and our democracy and how to fix it* vintage expanded ed by reich robert b isbn 9780345804372 from amazon s book store everyday low

beyond outrage quotes by robert b reich goodreads - Sep 06 2022

web 7 likes like it s no mere coincidence that over the last century the top earners share of the nation s total income peaked in 1928 and 2007 the two years just preceding the biggest downturns robert b reich *beyond outrage* 6 likes like

beyond outrage by robert b reich overdrive - Jan 10 2023

web sep 4 2012 *beyond outrage* connects the dots showing why the increasing share of income and wealth going to the top has hobbled jobs and growth for everyone else undermining our democracy caused americans to become increasingly cynical about public life and turned many americans against one another

beyond outrage expanded edition google books - Jul 16 2023

web sep 4 2012 *beyond outrage* connects the dots showing why the increasing share of income and wealth going to the top has hobbled jobs and growth for everyone else undermining our democracy caused

beyond outrage expanded edition what has gone wrong with - Mar 12 2023

web *beyond outrage what has gone wrong with our economy and our democracy and how to fix it* by robert b reich *beyond outrage* is a plea for action for those who care about the future of america accomplished author of twelve books and current professor of public policy robert reich provides insight to what happened to our economy and how to

[beyond outrage by robert b reich audiobook audible com](#) - May 02 2022

web *beyond outrage* as it s meant to be heard narrated by robert b reich discover the english audiobook at audible free trial available

[beyond outrage penguin random house](#) - Apr 13 2023

web robert b reich breaks down what s wrong with this country and urges americans to get beyond mere outrage about the nation s increasingly concentrated wealth and corrupt politics in order to mobilize and to take back our economy and democracy about the enhanced ebook

beyond outrage by robert b reich publishers weekly - Jun 03 2022

web *beyond outrage* robert reich vintage 9 99 trade paper 176p isbn 978 0 345 80437 2

[beyond outrage expanded edition what has gone wrong with](#) - Jun 15 2023

web sep 4 2012 robert b reich beyond outrage expanded edition what has gone wrong with our economy and our democracy and how to fix it kindle edition by robert b reich author format kindle edition 4 5 789 ratings see all formats and editions america s economy and democracy are working for the benefit of an ever fewer privileged and *beyond outrage what has gone wrong with our economy and* - Oct 07 2022

web robert b reich urges americans to get beyond mere outrage about the nation s increasingly concentrated wealth and corrupt politics in order to mobilize and to take back our economy and democracy

beyond outrage by robert b reich overdrive - Jul 04 2022

web apr 17 2012 in this ebook exclusive robert b reich urges americans to get beyond mere outrage about the nation s increasingly concentrated wealth and corrupt politics in order to mobilize and to take back our economy and democracy *beyond outrage expanded edition what has gone wrong with* - Sep 18 2023

web sep 4 2012 beyond outrage expanded edition what has gone wrong with our economy and our democracy and how to fix it reich robert b on amazon com free shipping on qualifying offers beyond outrage expanded edition what has gone wrong with our economy and our democracy and how to fix it

beyond outrage expanded edition abebooks - Nov 08 2022

web beyond outrage expanded edition what has gone wrong with our economy and our democracy and how to fix it by reich robert b isbn 10 0345804376 isbn 13 9780345804372 vintage 2012 softcover

from beyond outrage by robert reich analysis ipl org - Feb 28 2022

web in his book from beyond outrage robert reich speaks about how wealth is concentrated among the top wealthiest people in american leading to a wide gap between the rich and poor by increasing inequalities in income

beyond outrage book summary by robert b reich - Apr 01 2022

web mar 17 2023 the author of the book beyond outrage is robert b reich who is a highly respected figure in public policy he has taught at the goldman school of public policy at the university of california and has served as a public policy advisor in three presidential administrations with his last position being secretary of labor under president bill

beyond outrage what has gone wrong with our economy and - May 14 2023

web reich robert b publication date 2012 topics right and left beyond outrage what you need to do access restricted item true addeddate 2020 09 03 12 01 07 boxid ia1924101 camera sony alpha a6300 control collection set printdisabled external identifier urn oclc record 1193370917

beyond outrage kirkus reviews - Dec 09 2022

web beyond outrage what has gone wrong with our economy and our democracy and how to fix it by robert b reich illustrated by robert b reich release date sept 4 2012

[basilica of san vitale wikipedia](#) - Jul 03 2023

web 0 14 ha 0 35 acres exterior view of st vitale the basilica of san vitale is a late antique church in ravenna italy the sixth century church is an important surviving example of early christian byzantine art and architecture and its mosaics in particular are some of the most studied works in byzantine art

empress theodora rhetoric and byzantine primary sources - Jan 29 2023

web prokopios deploys established rhetorical formulas to praise justinian and theodora in wars and buildings while also criticizing the imperial couple in his secret history as modern readers the apparent contradictions in these works might puzzle us as we seek to separate historical fact from fiction

ravenna s treasures mosaics in san vitale dailyart magazine - Dec 28 2022

web aug 21 2023 the justinian and theodora mosaics inhabit the apse the most sacred part of the church usually only populated by religious imagery this certainly makes a bold statement both emperor and empress appear to take part in a religious procession which perhaps explains or justifies this positioning

justinian in procopius secret history as a demon in human form - Feb 27 2023

web aug 23 2022 mosaic of theodora 6th century ce via basilica of san vitale ravenna as for theodora her mind was firmly and perpetually fixed upon inhumanity secret history 15 1 according to procopius justinian was not alone in his quest to demolish the empire his wife theodora also wielded imperial power

[what did justinian and theodora do for the byzantine empire](#) - May 01 2023

web mar 26 2021 theodora 497 548 was a byzantine empress wife of the emperor justinian i and the most powerful woman in byzantine history born from humble origins theodora reigned over the byzantine empire alongside her husband from 527 until her death in 548 they would rule together in a golden period of byzantine history

justinian i and theodora i christian history christianity today - Sep 05 2023

web when justinian was crowned in 527 he named as co regent his young wife theodora she was 15 years his junior and his opposite in nearly every way she was social witty supremely

justinian and theodora western civilization lumen learning - Jun 02 2023

web theodora was empress of the byzantine empire and the wife of emperor justinian i she was one of the most influential and powerful of the byzantine empresses some sources mention her as empress regnant with justinian i as her co regent

[why were justinian and theodora so important short fact](#) - Mar 31 2023

web oct 27 2020 theodora a 6th century byzantine empress married to emperor justinian i is remembered for being one of the most powerful women in byzantine history she used her power and influence to promote religious and social policies that were important to her

theodora wife of justinian i wikipedia - Oct 06 2023

web theodora ,θi:ə'dɔ:rə greek Θεοδώρα c 490 28 june 548 1 was a eastern roman empress and wife of emperor justinian she was from humble origins and became empress when her husband became emperor in 527 and was one of his chief advisers

theodora empress biography accomplishments justinian - Aug 04 2023

web theodora born c 497 ce died june 28 548 constantinople now istanbul turkey byzantine empress wife of the emperor justinian i reigned 527 565 probably the most powerful woman in byzantine history