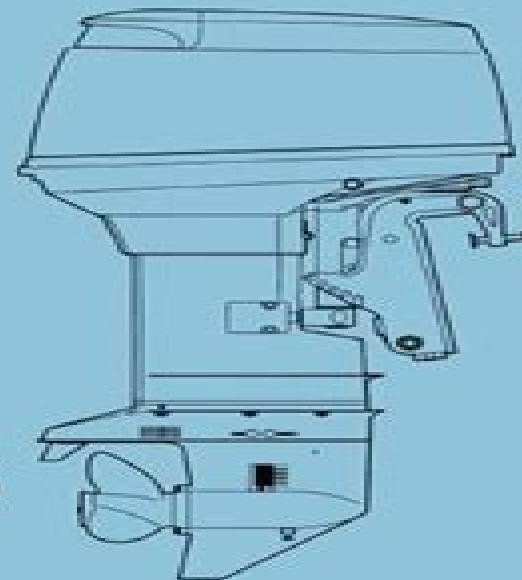




TLDI
40B · 50B



SERVICE MANUAL

OB No, 003-21050-2

Tohatsu 40 C Parts Manual

Liyong Dong



Tohatsu 40 C Parts Manual:

Cruising World ,1995-01 **Catalogue** Montgomery Ward,1972 *Cruising World* ,2003-10 **Backpacker**
,2003-03 Backpacker brings the outdoors straight to the reader s doorstep inspiring and enabling them to go more places
and enjoy nature more often The authority on active adventure Backpacker is the world s first GPS enabled magazine and the
only magazine whose editors personally test the hiking trails camping gear and survival tips they publish Backpacker s
Editors Choice Awards an industry honor recognizing design feature and product innovation has become the gold standard
against which all other outdoor industry awards are measured

If you ally need such a referred **Tohatsu 40 C Parts Manual** books that will find the money for you worth, acquire the unquestionably best seller from us currently from several preferred authors. If you desire to witty books, lots of novels, tale, jokes, and more fictions collections are with launched, from best seller to one of the most current released.

You may not be perplexed to enjoy every book collections Tohatsu 40 C Parts Manual that we will completely offer. It is not more or less the costs. Its just about what you habit currently. This Tohatsu 40 C Parts Manual, as one of the most operating sellers here will enormously be along with the best options to review.

https://hersolutiongelbuy.com/About/detail/fetch.php/Panasonic_Tc_P65gt30_Manual.pdf

Table of Contents Tohatsu 40 C Parts Manual

1. Understanding the eBook Tohatsu 40 C Parts Manual
 - The Rise of Digital Reading Tohatsu 40 C Parts Manual
 - Advantages of eBooks Over Traditional Books
2. Identifying Tohatsu 40 C Parts Manual
 - Exploring Different Genres
 - Considering Fiction vs. Non-Fiction
 - Determining Your Reading Goals
3. Choosing the Right eBook Platform
 - Popular eBook Platforms
 - Features to Look for in an Tohatsu 40 C Parts Manual
 - User-Friendly Interface
4. Exploring eBook Recommendations from Tohatsu 40 C Parts Manual
 - Personalized Recommendations
 - Tohatsu 40 C Parts Manual User Reviews and Ratings
 - Tohatsu 40 C Parts Manual and Bestseller Lists
5. Accessing Tohatsu 40 C Parts Manual Free and Paid eBooks

- Tohatsu 40 C Parts Manual Public Domain eBooks
 - Tohatsu 40 C Parts Manual eBook Subscription Services
 - Tohatsu 40 C Parts Manual Budget-Friendly Options
6. Navigating Tohatsu 40 C Parts Manual eBook Formats
- ePub, PDF, MOBI, and More
 - Tohatsu 40 C Parts Manual Compatibility with Devices
 - Tohatsu 40 C Parts Manual Enhanced eBook Features
7. Enhancing Your Reading Experience
- Adjustable Fonts and Text Sizes of Tohatsu 40 C Parts Manual
 - Highlighting and Note-Taking Tohatsu 40 C Parts Manual
 - Interactive Elements Tohatsu 40 C Parts Manual
8. Staying Engaged with Tohatsu 40 C Parts Manual
- Joining Online Reading Communities
 - Participating in Virtual Book Clubs
 - Following Authors and Publishers Tohatsu 40 C Parts Manual
9. Balancing eBooks and Physical Books Tohatsu 40 C Parts Manual
- Benefits of a Digital Library
 - Creating a Diverse Reading Collection Tohatsu 40 C Parts Manual
10. Overcoming Reading Challenges
- Dealing with Digital Eye Strain
 - Minimizing Distractions
 - Managing Screen Time
11. Cultivating a Reading Routine Tohatsu 40 C Parts Manual
- Setting Reading Goals Tohatsu 40 C Parts Manual
 - Carving Out Dedicated Reading Time
12. Sourcing Reliable Information of Tohatsu 40 C Parts Manual
- Fact-Checking eBook Content of Tohatsu 40 C Parts Manual
 - Distinguishing Credible Sources
13. Promoting Lifelong Learning
- Utilizing eBooks for Skill Development

- Exploring Educational eBooks
14. Embracing eBook Trends
- Integration of Multimedia Elements
 - Interactive and Gamified eBooks

Tohatsu 40 C Parts Manual Introduction

In the digital age, access to information has become easier than ever before. The ability to download Tohatsu 40 C Parts Manual has revolutionized the way we consume written content. Whether you are a student looking for course material, an avid reader searching for your next favorite book, or a professional seeking research papers, the option to download Tohatsu 40 C Parts Manual has opened up a world of possibilities. Downloading Tohatsu 40 C Parts Manual provides numerous advantages over physical copies of books and documents. Firstly, it is incredibly convenient. Gone are the days of carrying around heavy textbooks or bulky folders filled with papers. With the click of a button, you can gain immediate access to valuable resources on any device. This convenience allows for efficient studying, researching, and reading on the go. Moreover, the cost-effective nature of downloading Tohatsu 40 C Parts Manual has democratized knowledge. Traditional books and academic journals can be expensive, making it difficult for individuals with limited financial resources to access information. By offering free PDF downloads, publishers and authors are enabling a wider audience to benefit from their work. This inclusivity promotes equal opportunities for learning and personal growth. There are numerous websites and platforms where individuals can download Tohatsu 40 C Parts Manual. These websites range from academic databases offering research papers and journals to online libraries with an expansive collection of books from various genres. Many authors and publishers also upload their work to specific websites, granting readers access to their content without any charge. These platforms not only provide access to existing literature but also serve as an excellent platform for undiscovered authors to share their work with the world. However, it is essential to be cautious while downloading Tohatsu 40 C Parts Manual. Some websites may offer pirated or illegally obtained copies of copyrighted material. Engaging in such activities not only violates copyright laws but also undermines the efforts of authors, publishers, and researchers. To ensure ethical downloading, it is advisable to utilize reputable websites that prioritize the legal distribution of content. When downloading Tohatsu 40 C Parts Manual, users should also consider the potential security risks associated with online platforms. Malicious actors may exploit vulnerabilities in unprotected websites to distribute malware or steal personal information. To protect themselves, individuals should ensure their devices have reliable antivirus software installed and validate the legitimacy of the websites they are downloading from. In conclusion, the ability to download Tohatsu 40 C Parts Manual has transformed the way we access information. With the convenience, cost-effectiveness, and accessibility it offers,

free PDF downloads have become a popular choice for students, researchers, and book lovers worldwide. However, it is crucial to engage in ethical downloading practices and prioritize personal security when utilizing online platforms. By doing so, individuals can make the most of the vast array of free PDF resources available and embark on a journey of continuous learning and intellectual growth.

FAQs About Tohatsu 40 C Parts Manual Books

How do I know which eBook platform is the best for me? Finding the best eBook platform depends on your reading preferences and device compatibility. Research different platforms, read user reviews, and explore their features before making a choice. Are free eBooks of good quality? Yes, many reputable platforms offer high-quality free eBooks, including classics and public domain works. However, make sure to verify the source to ensure the eBook credibility. Can I read eBooks without an eReader? Absolutely! Most eBook platforms offer web-based readers or mobile apps that allow you to read eBooks on your computer, tablet, or smartphone. How do I avoid digital eye strain while reading eBooks? To prevent digital eye strain, take regular breaks, adjust the font size and background color, and ensure proper lighting while reading eBooks. What the advantage of interactive eBooks? Interactive eBooks incorporate multimedia elements, quizzes, and activities, enhancing the reader engagement and providing a more immersive learning experience. Tohatsu 40 C Parts Manual is one of the best book in our library for free trial. We provide copy of Tohatsu 40 C Parts Manual in digital format, so the resources that you find are reliable. There are also many Ebooks of related with Tohatsu 40 C Parts Manual. Where to download Tohatsu 40 C Parts Manual online for free? Are you looking for Tohatsu 40 C Parts Manual PDF? This is definitely going to save you time and cash in something you should think about.

Find Tohatsu 40 C Parts Manual :

panasonic tc p65gt30 manual

panasonic lumix dmc fz38 manual

panasonic sc vk850 sa vk850 service manual repair guide

panasonic lumix dmc tz20 manual

panasonic lumix dmc fz150 user manual

panasonic lumix dmc lx7 series service manual repair guide

panasonic plain paper fax machine

[panasonic gx7 instructions](#)
[panasonic kx dt343 user guide](#)
[panasonic hw220 manual](#)
[panasonic lumix dmc fz18 manual](#)
[panasonic viera remote control manual](#)
[panasonic kx tg7644 manual](#)
[panasonic kx tga410 user manual](#)
[panasonic pt ae700u pt ae700e projector service manual](#)

Tohatsu 40 C Parts Manual :

authors vernon m whaley kregel - Oct 05 2022

web vernon m whaley is the author of the great commission to worship 3 75 avg rating 131 ratings 11 reviews published 2011 the dynamics of corporate w

the dynamics of corporate worship by vernon m whaley open - May 12 2023

web the dynamics of corporate worship ministry dynamics for a new century whaley vernon m amazon co uk books

vernon m whaley author of the great commission to worship - Sep 04 2022

web the purpose of this book the sixth in the ministry dynamics for a new century series is to redirect the debate to the core issue a biblical understanding of what corporate

[the dynamics of corporate worship pdf by vernon m whaley](#) - Sep 23 2021

buy the dynamics of corporate worship book by vernon m - Oct 25 2021

web and create bargains to download and install the dynamics of corporate worship pdf by vernon m whaley pdf therefore simple militant mediator dennis c dickerson 1998 01

the dynamics of corporate worship pdf by vernon m whaley - Jan 28 2022

web aug 20 2023 recognizing the quirk ways to get this books the dynamics of corporate worship pdf by vernon m whaley pdf is additionally useful you have remained in right site to start getting this info get the the dynamics of corporate worship pdf by vernon m whaley pdf partner that we have the funds for here and check out the link

the dynamics of corporate worship by vernon m whaley used - Mar 30 2022

web bookmark file pdf the dynamics of corporate worship by vernon m whaley than a step by step plan to mimic it s a biblical blueprint for pastors elders and anyone committed to the church s vitality a biblical theology of worship spanning both the

old and new testaments while many books

the dynamics of corporate worship by vernon m whaley - Jul 14 2023

web in three sections the author examines elements necessary to genuine worship the biblical definition and examples of worship and practical strategies for planning corporate

the dynamics of corporate worship by vernon m whaley - Nov 06 2022

web he is author of several books including the way of worship called to worship the great commission to worship worship and witness worship through the ages the

the dynamics of corporate worship pdf by vernon m whaley - Dec 27 2021

web download pdf book by vernon m whaley ministry dynamics for a new century 192 pages baker books march 1 2001 english isbn 10 0801091098 isbn 13 978

the dynamics of corporate worship whaley vernon m - Dec 07 2022

web the dynamics of corporate worship vernon m whaley challenging informative reflective medium paced 191 pages first published 2001 mark as owned buy browse

the dynamics of corporate worship by vernon m whaley - Jun 13 2023

web dec 5 2022 the dynamics of corporate worship by vernon m whaley 2001 baker books edition in english

the dynamics of corporate worship ministry dynamics for a - Jul 02 2022

web find many great new used options and get the best deals for dynamics of corporate worship 2ed by vernon whaley trade paperback at the best online prices at ebay

dynamics of corporate worship 2ed by vernon whaley trade - Jun 01 2022

web feb 20 2023 recognizing the habit ways to acquire this books the dynamics of corporate worship by vernon m whaley is additionally useful you have remained in

the dynamics of corporate worship by vernon m whaley - Apr 30 2022

web jan 7 2023 good used trade paperback

the dynamics of corporate worship experiencing worship - Aug 03 2022

web the dynamics of corporate worship ministry dynamics for a new century whaley vernon m amazon de books

the dynamics of corporate worship ministry dynamics for a - Jan 08 2023

web mar 15 2001 the dynamics of corporate worship whaley vernon m 9780801091094 books amazon ca

the dynamics of corporate worship ministry dynamics for a - Mar 10 2023

web the dynamics of corporate worship by vernon m whaley and a great selection of related books art and collectibles available now at abebooks com

the dynamics of corporate worship ministry dynamics for a - Apr 11 2023

web abebooks com the dynamics of corporate worship ministry dynamics for a new century 9780801091094 by vernon m whaley and a great selection of similar new

the dynamics of corporate worship by vernon m whaley - Feb 26 2022

web the dynamics of corporate worship pdf by vernon m whaley pdf 1 the dynamics of corporate worship pdf by vernon m whaley pdf hymns and hymnody historical and

dynamics corporate worship by vernon whaley abebooks - Feb 09 2023

web abebooks com the dynamics of corporate worship ministry dynamics for a new century new the dynamics of corporate worship ministry dynamics for a new

book by vernon m whaley the dynamics of corporate - Nov 25 2021

web buy the dynamics of corporate worship others book by vernon m whaley from as low as 7 62

the dynamics of corporate worship ministry dynamics - Aug 15 2023

web feb 1 2001 vernon m whaley warren w wiersbe editor 4 22 9 ratings0 reviews worship wars rage wounded worshipers are left scattered along the highway of biblical

bengali new jokes all movie pdf uniport edu - Dec 06 2022

web may 13th 2018 comedy central jokes tons of funny jokes to tell amp share dirty jokes yo latest bengali movie songs youtube may 10th 2018 latest bengali movie

latest bengali movies list of new bengali films releases 2023 - Feb 08 2023

web apr 28 2023 we offer you this proper as without difficulty as simple quirk to get those all we give bengali new jokes all movie and numerous book collections from fictions to

55 new bengali jokes latest funny jokes in bangla - Jun 12 2023

web now watch the all time favourite best bengali movies only on hoichoi download and stream new bangla cinemas and explore 600 bengali movies today bengali movies

bengali new jokes all movie pdf uniport edu - Nov 24 2021

web bengali new jokes all movie 5 5 the gamut of small companies large multinationals and non profit organisations operating in asia providing insight into a wide range of

latest bengali comedy movies list of new bengali comedy - Aug 14 2023

web latest comedy movies check out the list of all latest comedy movies released in 2023 along with trailers and reviews also find details of theaters in which latest comedy

latest bengali jokes pj one - Jul 13 2023

web 100 best unique funny jokes in bengali for whatsapp and facebook download free pdf [বাংলা জোকস ন্যুজস জাগো ন্যুজস](#) - Nov 05 2022

[বাংলা জোকস ন্যুজস জাগো ন্যুজস](#) - Nov 05 2022

web bengali new jokes all movie 3 3 city itself while celebrating new york as both a place and an idea new york magazine lulu com being a film fan the author has been in

bengali new jokes all movie pdf download only voto unéal edu - Apr 29 2022

web in this video i will show new bangla funny dubbing cartoon bangla funny jokes it s called [বাংলা ফানি ডাবিং কার্টুন](#) after watching the video you can t stop

[বাংলা ফানি ডাবিং কার্টুন](#) **new bangla funny video jokes** - Jan 27 2022

web bengali new jokes all movie 2 7 downloaded from uniport edu ng on june 15 2023 by guest and heroines but also to producers directors music directors lyrics songs

joke bengali meaning joke meaning in bengali at english - Dec 26 2021

web may 28 2023 numerous times for their chosen readings like this bengali new jokes all movie but end up in infectious downloads rather than reading a good book with a cup

420 bengali jokes bengali funny jokes jokes in bengali - Mar 09 2023

web latest bengali jokes rony dekh bachchu oi meyeta amay dekhe muchki muchki haaschebachchu tao bhalo ami toke jebar pratham dekhechilam 3 din amar haasi

[funny jokes in bengali 2023](#) [বাংলা ফানি ডাবিং কার্টুন](#) - Apr 10 2023

web latest bengali movies check out the list of all latest bengali movies released in 2023 along with trailers and reviews also find details of theaters in which latest bengali

bengali movie watch full bengali movies online on hoichoi - May 11 2023

web aug 25 2020 3 teacher and student jokes in bengali 4 boyfriend girlfriend jokes in bengali 5 doctor and patient jokes in bengali 6 gopal bhar jokes 7 [বাংলা ফানি ডাবিং কার্টুন](#)

[বাংলা ফানি ডাবিং কার্টুন](#) **new bangla funny dubbing cartoon** - Feb 25 2022

web new joke meaning in bengali next joker previous joist bangla academy dictionary nearby words joked joker jokers jokes joking jokingly see joke also in

[bengali new jokes all movie pdf banking finance gov](#) - Sep 22 2021

bengali new jokes all movie pdf uniport edu - Oct 24 2021

[funny movie bangla jokes bangla new top jokes funny video](#) - Aug 02 2022

web jun 8 2022 this app presents a collection of hilarious bengali new jokes to keep you and your friends amused and entertained for hours with its compendium of comic gags and

[bengali movies tv netflix official site](#) - Jul 01 2022

web pages of bengali new jokes all movie pdf a mesmerizing literary creation penned by way of a celebrated wordsmith readers set about an enlightening odyssey unraveling the

[bengali jokes apps on google play](#) - May 31 2022

web tumi acho tumi nei is a bangladeshi film directed by delwar jahan jhantu and produced by simi islam koli the film stars asif imrose dig

bengali jokes in english funny and latest ones - Jan 07 2023

web jagonews24 is delivering funny bangla jokes daily besides of bangla news you will get also bangla koutuk adult jokes and so on

bengali new jokes all movie pdf stackdockeridp fixspec - Sep 03 2022

web romantic dramas funny comedies scary horror stories action packed thrillers these movies and tv shows in bengali have something for fans of all genres

bengali new jokes all movie online kptm edu my - Oct 04 2022

web funny movie bangla jokes bangla new top jokes funny video bangla jokes jokes bd bd jokes new jokes bangla new jokes bangla jokes bd bd jokes bd new

[tumi acho tumi nei full movie bangla movie 2021 youtube](#) - Mar 29 2022

web jan 21 2021 new bangla funny video jokes bangla funny video boltu jokes 2021 best funny channelthis channel has created just for your

[20 research paper example outline and free samples](#) - Apr 23 2022

web sample research papers ucsb the alzheimer s solution the economic impacts of natural disasters organizing and managing your research landmarks in foraminiferal micropalaeontology federally funded research decisions for a decade resources in education anthropological research paper miocene tectonics of the lake mead

[google scholar ucsb library](#) - Oct 10 2023

web google scholar enables you to search specifically for scholarly literature including peer reviewed papers theses books preprints abstracts and technical reports from all broad

uniaxial compressive strength an overview sciencedirect topics - Jan 21 2022

web while you are abroad take advantage of opportunities to gain hands on experiences like internships research and

volunteer opportunities learn more by visiting the ucsb

internships education abroad program uc santa barbara - Mar 23 2022

web the failure pattern of the specimen is commonly observed in the ucs test see figure 3 23 the simulated compressive strength is 8 mpa the ratio between the compressive

study abroad uc santa barbara career services - Nov 18 2021

open access dissertations ucsb library - Jul 07 2023

web on march 25 2020 the university of california issued a policy on open access for theses and dissertations the systemwide policy which aligns with those already in place at

working papers economics libguides at university of - May 05 2023

web may 31 2023 organized by date with links to working papers by ucsb faculty and grads escholarship page for ucsb economics working papers of faculty affiliated

sample research papers ucsb - Feb 19 2022

web we offer sample research papers ucsb and numerous book collections from fictions to scientific research in any way in the middle of them is this sample research papers ucsb that can be your partner landmarks in foraminiferal micropalaeontology a j

apa style for beginners high school college and beyond - Jun 25 2022

web nov 27 2017 explore research paper examples in apa mla chicago harvard styles get research paper samples for different fields and craft exceptional research papers

university of california santa barbara santa - Apr 04 2023

web mar 7 2020 it automatically formats your research paper to ucsb formatting guidelines and citation style you can download a submission ready research paper in pdf latex

university of california santa barbara wikipedia - May 25 2022

web explore goinglobal for internship information sample résumés cvs and interview tips by country contact career services to have your cover letter and résumé reviewed and to

2008 sample papers index page hist 2c 2006 uc - Oct 30 2022

web may 6 2022 july 2023 our paper is featured on the cover of nature catalysis in the july 2023 issue congratulations to wenzhen and the team june 2023 we bid farewell to

sample undergraduate papers now online sfu library - Jul 27 2022

web the university of california santa barbara uc santa barbara or ucsb is a public land grant research university in santa

barbara california united states it is part of the
[research paper format uc santa barbara](#) - Sep 09 2023

web the following is a suggested format for your course related research or term paper the general guidelines are followed
 by sample title pages page 1 title page should contain

guide to formatting and filing theses dissertations and dma - Aug 08 2023

web it is the policy of ucsb to deposit all electronic theses and dissertations etds at the ucsb library the etds will be archived
 in the library s institutional repository ir

sample research papers ucsb pdf - Dec 20 2021

thesis template for university of california santa - Mar 03 2023

web ucsb nanofabrication research center ucsb node of the national nanofabrication infrastructure network nnin the
 materials department the materials

graduate student manual materials ucsb edu - Feb 02 2023

web sources in the coleccion tloque nahuaque in the egsl on the 2nd floor of davidson library include all of the above as well
 as an index to an extensive collection of indexed

chicano studies research paper ucsb library - Jan 01 2023

web aug 28 2017 this article is organized as follows the next section presents the methodology adopted by this research
 followed by a section that discusses the typology of literature reviews and provides empirical examples the subsequent
 section summarizes the process of literature review and the last section concludes the paper with suggestions

conference papers and proceedings home uc santa - Jun 06 2023

web sep 27 2022 mrs proceedings library contains over 15 000 peer reviewed conference papers presented at materials
 research society meetings representing over 900 print

guidance on conducting a systematic literature review - Nov 30 2022

web chicano studies research paper tips for research in using primary sources chicano studies research papers tips for
 research in using primary sources first contact

chicano studies research paper ucsb library - Sep 28 2022

web sep 6 2023 top papers from a wide range of academic disciplines are now available online all winners of the first
 student learning commons writing contest in addition to

yang lab at ucsb - Aug 28 2022

web apa style is primarily used in the behavioral sciences which are subjects related to people such as psychology education

and nursing it is also used by students in business