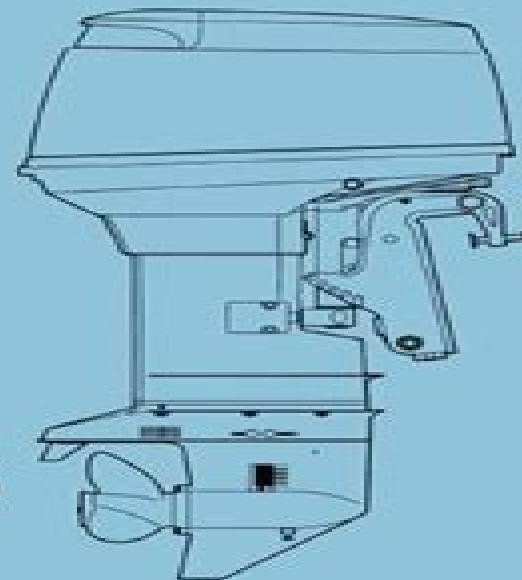




TLDI
40B · 50B



SERVICE MANUAL

OB No, 003-21050-2

Tohatsu 40 Elpto Manual

JG Myers



Tohatsu 40 Elpto Manual:

Right here, we have countless book **Tohatsu 40 Elpto Manual** and collections to check out. We additionally give variant types and next type of the books to browse. The up to standard book, fiction, history, novel, scientific research, as without difficulty as various supplementary sorts of books are readily manageable here.

As this Tohatsu 40 Elpto Manual, it ends occurring monster one of the favored books Tohatsu 40 Elpto Manual collections that we have. This is why you remain in the best website to look the incredible books to have.

<https://hersolutiongelbuy.com/data/browse/fetch.php/subaru%20forester%2098%20manual.pdf>

Table of Contents Tohatsu 40 Elpto Manual

1. Understanding the eBook Tohatsu 40 Elpto Manual
 - The Rise of Digital Reading Tohatsu 40 Elpto Manual
 - Advantages of eBooks Over Traditional Books
2. Identifying Tohatsu 40 Elpto Manual
 - Exploring Different Genres
 - Considering Fiction vs. Non-Fiction
 - Determining Your Reading Goals
3. Choosing the Right eBook Platform
 - Popular eBook Platforms
 - Features to Look for in an Tohatsu 40 Elpto Manual
 - User-Friendly Interface
4. Exploring eBook Recommendations from Tohatsu 40 Elpto Manual
 - Personalized Recommendations
 - Tohatsu 40 Elpto Manual User Reviews and Ratings
 - Tohatsu 40 Elpto Manual and Bestseller Lists
5. Accessing Tohatsu 40 Elpto Manual Free and Paid eBooks
 - Tohatsu 40 Elpto Manual Public Domain eBooks

- Tohatsu 40 Elpto Manual eBook Subscription Services
- Tohatsu 40 Elpto Manual Budget-Friendly Options
- 6. Navigating Tohatsu 40 Elpto Manual eBook Formats
 - ePub, PDF, MOBI, and More
 - Tohatsu 40 Elpto Manual Compatibility with Devices
 - Tohatsu 40 Elpto Manual Enhanced eBook Features
- 7. Enhancing Your Reading Experience
 - Adjustable Fonts and Text Sizes of Tohatsu 40 Elpto Manual
 - Highlighting and Note-Taking Tohatsu 40 Elpto Manual
 - Interactive Elements Tohatsu 40 Elpto Manual
- 8. Staying Engaged with Tohatsu 40 Elpto Manual
 - Joining Online Reading Communities
 - Participating in Virtual Book Clubs
 - Following Authors and Publishers Tohatsu 40 Elpto Manual
- 9. Balancing eBooks and Physical Books Tohatsu 40 Elpto Manual
 - Benefits of a Digital Library
 - Creating a Diverse Reading Collection Tohatsu 40 Elpto Manual
- 10. Overcoming Reading Challenges
 - Dealing with Digital Eye Strain
 - Minimizing Distractions
 - Managing Screen Time
- 11. Cultivating a Reading Routine Tohatsu 40 Elpto Manual
 - Setting Reading Goals Tohatsu 40 Elpto Manual
 - Carving Out Dedicated Reading Time
- 12. Sourcing Reliable Information of Tohatsu 40 Elpto Manual
 - Fact-Checking eBook Content of Tohatsu 40 Elpto Manual
 - Distinguishing Credible Sources
- 13. Promoting Lifelong Learning
 - Utilizing eBooks for Skill Development
 - Exploring Educational eBooks

14. Embracing eBook Trends

- Integration of Multimedia Elements
- Interactive and Gamified eBooks

Tohatsu 40 Elpto Manual Introduction

In the digital age, access to information has become easier than ever before. The ability to download Tohatsu 40 Elpto Manual has revolutionized the way we consume written content. Whether you are a student looking for course material, an avid reader searching for your next favorite book, or a professional seeking research papers, the option to download Tohatsu 40 Elpto Manual has opened up a world of possibilities. Downloading Tohatsu 40 Elpto Manual provides numerous advantages over physical copies of books and documents. Firstly, it is incredibly convenient. Gone are the days of carrying around heavy textbooks or bulky folders filled with papers. With the click of a button, you can gain immediate access to valuable resources on any device. This convenience allows for efficient studying, researching, and reading on the go. Moreover, the cost-effective nature of downloading Tohatsu 40 Elpto Manual has democratized knowledge. Traditional books and academic journals can be expensive, making it difficult for individuals with limited financial resources to access information. By offering free PDF downloads, publishers and authors are enabling a wider audience to benefit from their work. This inclusivity promotes equal opportunities for learning and personal growth. There are numerous websites and platforms where individuals can download Tohatsu 40 Elpto Manual. These websites range from academic databases offering research papers and journals to online libraries with an expansive collection of books from various genres. Many authors and publishers also upload their work to specific websites, granting readers access to their content without any charge. These platforms not only provide access to existing literature but also serve as an excellent platform for undiscovered authors to share their work with the world. However, it is essential to be cautious while downloading Tohatsu 40 Elpto Manual. Some websites may offer pirated or illegally obtained copies of copyrighted material. Engaging in such activities not only violates copyright laws but also undermines the efforts of authors, publishers, and researchers. To ensure ethical downloading, it is advisable to utilize reputable websites that prioritize the legal distribution of content. When downloading Tohatsu 40 Elpto Manual, users should also consider the potential security risks associated with online platforms. Malicious actors may exploit vulnerabilities in unprotected websites to distribute malware or steal personal information. To protect themselves, individuals should ensure their devices have reliable antivirus software installed and validate the legitimacy of the websites they are downloading from. In conclusion, the ability to download Tohatsu 40 Elpto Manual has transformed the way we access information. With the convenience, cost-effectiveness, and accessibility it offers, free PDF downloads have become a popular choice for students, researchers, and book lovers worldwide. However, it is crucial to engage in ethical downloading

practices and prioritize personal security when utilizing online platforms. By doing so, individuals can make the most of the vast array of free PDF resources available and embark on a journey of continuous learning and intellectual growth.

FAQs About Tohatsu 40 Elpto Manual Books

1. Where can I buy Tohatsu 40 Elpto Manual books? Bookstores: Physical bookstores like Barnes & Noble, Waterstones, and independent local stores. Online Retailers: Amazon, Book Depository, and various online bookstores offer a wide range of books in physical and digital formats.
2. What are the different book formats available? Hardcover: Sturdy and durable, usually more expensive. Paperback: Cheaper, lighter, and more portable than hardcovers. E-books: Digital books available for e-readers like Kindle or software like Apple Books, Kindle, and Google Play Books.
3. How do I choose a Tohatsu 40 Elpto Manual book to read? Genres: Consider the genre you enjoy (fiction, non-fiction, mystery, sci-fi, etc.). Recommendations: Ask friends, join book clubs, or explore online reviews and recommendations. Author: If you like a particular author, you might enjoy more of their work.
4. How do I take care of Tohatsu 40 Elpto Manual books? Storage: Keep them away from direct sunlight and in a dry environment. Handling: Avoid folding pages, use bookmarks, and handle them with clean hands. Cleaning: Gently dust the covers and pages occasionally.
5. Can I borrow books without buying them? Public Libraries: Local libraries offer a wide range of books for borrowing. Book Swaps: Community book exchanges or online platforms where people exchange books.
6. How can I track my reading progress or manage my book collection? Book Tracking Apps: Goodreads, LibraryThing, and Book Catalogue are popular apps for tracking your reading progress and managing book collections. Spreadsheets: You can create your own spreadsheet to track books read, ratings, and other details.
7. What are Tohatsu 40 Elpto Manual audiobooks, and where can I find them? Audiobooks: Audio recordings of books, perfect for listening while commuting or multitasking. Platforms: Audible, LibriVox, and Google Play Books offer a wide selection of audiobooks.
8. How do I support authors or the book industry? Buy Books: Purchase books from authors or independent bookstores. Reviews: Leave reviews on platforms like Goodreads or Amazon. Promotion: Share your favorite books on social media or recommend them to friends.
9. Are there book clubs or reading communities I can join? Local Clubs: Check for local book clubs in libraries or

community centers. Online Communities: Platforms like Goodreads have virtual book clubs and discussion groups.

10. Can I read Tohatsu 40 Elpto Manual books for free? Public Domain Books: Many classic books are available for free as they're in the public domain. Free E-books: Some websites offer free e-books legally, like Project Gutenberg or Open Library.

Find Tohatsu 40 Elpto Manual :

subaru forester 98 manual

subaru forester service repair manual 2003 7 200

~~subaru legacy service repair workshop manual 1998 2003~~

subaru water pump repair

stuffed vintage animal antique prices guide

study guide the great gatsby

stump schibli de aedibus 51 english and german edition

subaru impreza wrx sti complete workshop service repair manual 2001 2002

~~study guide skeletal system 50 questions~~

study skills worksheets 5 cell structure and function

~~study guide questions for frankenstein letters~~

subaru legacy head gasket repair

subaru legacy outback service repair workshop manual 02 onwards

subaru automatic transmission chart

subaru 1800 manual

Tohatsu 40 Elpto Manual :

sound bites eating on tour with franz ferdinand s alex kapranos - Sep 21 2022

web mar 27 2015 the lead singer of the british rock band franz ferdinand takes readers on a rock and roll culinary adventure around the world in his book sound bites which has just been translated into french alex kapranos speaks to eve jackson about bull s balls his peanut allergy and losing his virginity on a restaurant floor

sound bites eating on tour with franz ferdinand broché - Apr 16 2022

web 12 47 vous l avez déjà vendre sur amazon voir cette image suivre l auteur alex kapranos sound bites eating on tour with

franz ferdinand broché 4 octobre 2007

sound bites eating on tour with franz ferdinand google books - Jul 20 2022

web in september 2005 alex kapranos began writing about what he ate while touring the world with the rock band franz ferdinand the writing is as much about where he eats and the people he

[sound bites eating on tour with franz ferdinand goodreads](#) - Jun 30 2023

web dec 1 2006 sound bites eating on tour with franz ferdinand by alex kapranos goodreads jump to ratings and reviews want to read kindle 8 99 rate this book sound bites eating on tour with franz ferdinand

sound bites eating on tour with franz ferdinand kindle edition - Mar 28 2023

web oct 4 2007 hardcover 20 51 12 used from 16 39 in september 2005 alex kapranos began writing about what he ate while touring the world with the rock band franz ferdinand the writing is as much about where he eats and the people he eats with as the unusual flavours he tastes on the road

sound bites eating on tour with franz ferdinand - Sep 02 2023

web sound bites eating on tour with franz ferdinand sound bites eating on tour with franz ferdinand by kapranos alex publication date 2007 topics kapranos alex franz ferdinand musical group dinners and dining food habits habitudes alimentaires publisher london penguin

sound bites eating on tour with franz ferdinand cultura - Jun 18 2022

web sound bites eating on tour with franz ferdinand 9780141912301 cultura sound bites eating on tour with franz ferdinand aux éditions penguin in september 2005 alex kapranos began writing about what he ate while touring the world with the rock band franz ferdinand the writing is as much about where tout le catalogue livre ebook

sound bites eating on tour with franz ferdinand ebook - Jan 26 2023

web oct 4 2007 b n mastercard in september 2005 alex kapranos began writing about what he ate while touring the world with the rock band franz ferdinand the writing is as much about where he eats and the people he eats with as

sound bites eating on tour with franz ferdinand amazon com - Aug 01 2023

web dec 1 2006 alex kapranos sound bites is a great collection of food essays kapranos penned while on tour mostly with franz ferdinand these little essays are tasty little tidbits with a twist kapranos approach is unexpected and maybe a little twisted

[sound bites eating on tour with franz ferdinand softcover](#) - Feb 24 2023

web synopsis about this title in september 2005 alex kapranos began writing about what he ate while touring the world with the rock band franz ferdinand the writing is as much about where he eats and the people he eats with

sound bites eating on tour with franz ferdinand alchetron - Nov 23 2022

web sep 3 2022 sound bites eating on tour with franz ferdinand is a book written by alex kapranos from the band franz ferdinand it was published on 2 november 2006 in september 2005 whilst touring the world with franz ferdinand alex kapranos had begun writing about what he ate in the various countries he had

[sound bites eating on tour with franz ferdinand wikipedia](#) - Oct 03 2023

web sound bites eating on tour with franz ferdinand is a book written by alex kapranos from the band franz ferdinand it was published on 2 november 2006 in september 2005 whilst touring the world with franz ferdinand alex kapranos had begun writing about what he ate in the various countries he had visited

sound bites eating on tour with franz ferdinand abebooks - Dec 25 2022

web about this title a culinary rock and roll odyssey around the world written by the lead singer of the popular group franz ferdinand describes a variety of gastronomic encounters from a donut shop in a polish speaking section of brooklyn to bull s testicles in buenos aires to an almost vegetarian buffet in singapore

sound bites eating on tour with franz ferdinand google books - Mar 16 2022

web in september 2005 alex kapranos began writing about what he ate while touring the world with the rock band franz ferdinand the writing is as much about where he eats and the people he eats with as the unusual flavours he tastes on the road whether it s munching donuts with cops in brooklyn swallowing bull s balls with the band in buenos aires or

bbc radio 7 sound bites eating on tour with franz ferdinand - Apr 28 2023

web sound bites eating on tour with franz ferdinand eating adventures around the world with alex kapranos the singer of franz ferdinand sound bites eating on tour with franz ferdinand

sound bites eating on tour with franz ferdinand hardcover - Aug 21 2022

web buy sound bites eating on tour with franz ferdinand first edition by alex kapranos andrew knowles isbn 9781905490097 from amazon s book store everyday low prices and free delivery on eligible orders

sound bites eating on tour with franz ferdinand softcover - Oct 23 2022

web about this edition in september 2005 alex kapranos began writing about what he ate while touring the world with the rock band franz ferdinand the writing is as much about where he eats and the people he eats with as the unusual flavours he tastes on the road

sound bites eating on tour with franz ferdinand amazon com tr - May 30 2023

web sound bites eating on tour with franz ferdinand kapranos alex amazon com tr kitap

[sound bites eating on tour with franz ferdinand google books](#) - Feb 12 2022

web the lead singer of the acclaimed platinum selling group franz ferdinand takes readers on a rock and roll culinary adventure around the world the extremely successful neo new wave band franz ferdinand has millions of fans around the

globe and the group s frequent tours bring its members not only to a wide variety of places but also face to face
sound bites eating on tour with franz ferdinand s alex kapranos - May 18 2022

web mar 27 2015 the lead singer of the british rock band franz ferdinand takes readers on a rock and roll culinary
adventure around the world in his book *sound bites* which has just been translated into french

nobody Önemsiz biri 2021 filmi full hd 1080p izle wfilmizle - Jun 30 2023

web Önemsiz biri izle 2021 nobody Önemsiz biri türkçe dublaj ve altyazılı izle nobody Önemsiz biri 1080p full hd görüntü
kalitesiyle burada sizlerle hutch mansell karısı becca ve oğlu blake ile banliyöde yaşayan bir admadır ailenin sıradan yaşamı
bir gece iki hırsızın evlerine girmesiyle alt üst olur

nobody Önemsiz biri izle hdfilmcehennemi film izle hd - Oct 03 2023

web nobody Önemsiz biri filminin bilgileri hutch mansell karısı becca ve oğlu blake ile banliyöde yaşayan bir adamdır ailenin
sıradan yaşamı bir gece iki hırsızın evlerine girmesiyle alt üst olur hutch daha büyük bir şiddetin yaşanmasını önlemek için
hırsızlara karşı tepkisiz kalır

nobody İzle Önemsiz biri İzle türkçe altyazılı dublaj film - Aug 01 2023

web dec 2 2021 Önemsiz biri türkçe dublaj ve nobody türkçe altyazılı seçenekleriyle 1080p kalitesinde hd izle film Özeti
hutch mansell a suburban dad overlooked husband nothing neighbor a nobody when two thieves break into his home one
night hutchs unknown longsimmering rage is ignited and propels him on a brutal path that will uncover da

[nobody 2021 film wikipedia](#) - Mar 28 2023

web nobody is a 2021 american action thriller film directed by ilya naishuller and written by derek kolstad the film which
stars bob odenkirk connie nielsen aleksey serebryakov rza and christopher lloyd follows a mild mannered family man who
returns to his former life of an assassin as he and his family became the target of a vengeful crime

[nobody 2021 imdb](#) - Sep 02 2023

web mar 26 2021 nobody directed by ilya naishuller with bob odenkirk aleksey serebryakov connie nielsen christopher lloyd
a docile family man slowly reveals his true character after his house gets burgled by two petty thieves which coincidentally
leads him into a bloody war with a russian crime boss

nobody official trailer hd youtube - May 30 2023

web dec 10 2020 on demand now nobody moviesometimes the man you don t notice is the most dangerous of all emmy
winner bob odenkirk better call saul the post n

Önemsiz biri nobody beyazperde com - Apr 28 2023

web hutch mansell karısı becca ve oğlu blake ile banliyöde yaşayan bir admadır ailenin sıradan yaşamı bir gece iki hırsızın
evlerine girmesiyle alt üst olur hutch daha büyük bir şiddetin yaşanmasını önlemek için hırsızlara karşı tepkisiz kalır

eating fire selected poetry 1965 1995 biblionepal - Aug 12 2022

web the evolution of margaret atwood s poetry illuminates a major literary talent through bus trips and postcards wilderness and trivia she reflects the passion and energy of a writer intensely engaged with her craft and the world in this volume two previous selections poems 1965 1975 and poems 1976 1986 are presente

eating fire selected poetry 1965 1995 selected po copy - Feb 06 2022

web aug 4 2023 info acquire the eating fire selected poetry 1965 1995 selected po associate that we manage to pay for here and check out the link you could purchase guide eating fire selected poetry 1965 1995 selected po or get it as soon as feasible you could quickly download this eating fire selected poetry 1965 1995 selected po after getting

amazon com eating fire 9781844086931 margaret - May 21 2023

web jan 1 2010 i would like to be that unnoticed and that necessary eating fire brings together three of margaret s atwood s key poetry collections poems 1965 1975 poems 1976 1986 and morning in the burned house the landscape of atwood s poetry is one of bus trips and postcards wilderness glass and fires both savage and tender

eating fire selected poetry 1965 1995 selected po full pdf - Jul 11 2022

web eating fire selected poetry 1965 1995 selected po is available in our digital library an online access to it is set as public so you can download it instantly our book servers saves in multiple locations allowing you to get the most less latency time to download

[eating fire quotes by margaret atwood goodreads](#) - Dec 16 2022

web eating fire quotes showing 1 13 of 13 this is the solstice the still point of the sun its cusp and midnight the year s threshold and unlocking where the past lets go of and becomes the future the place of caught breath the door of a vanished house left ajar margaret atwood eating fire selected poetry 1965 95

[eating fire selected poetry 1965 1995 by margaret atwood](#) - Oct 14 2022

web jan 28 2010 booktopia has eating fire selected poetry 1965 1995 by margaret atwood buy a discounted paperback of eating fire online from australia s leading online bookstore

[eating fire selected poetry 1965 1995 margaret atwood](#) - Mar 07 2022

web eating fire selected poetry 1965 1995 margaret atwood the love affairs of a bibliomaniac with an introduction by r m field eugene field clyde s dogs daniel peddle genstat 5 reference manual oxford science publications r w payne tar aym krang pip flinx alan d foster spring of secrets whinnies on the wind angela

eating fire selected poetry 1965 1995 selected po - May 09 2022

web poem looks like eating fire selected poetry 1965 1995 by margaret atwoodeating fire selected poetry 1965 1995 paperback january 1 1998 by margaret eleanor atwood author 5 0 out of 5 stars 7 ratings

eating fire selected poetry 1965 1995 abebooks - Jan 17 2023

web eating fire selected poetry 1965 1995 by atwood margaret at abebooks co uk isbn 10 1844086933 isbn 13 9781844086931 virago 2010 softcover

[eating fire selected poetry 1965 1995 searchworks catalog](#) - Feb 18 2023

web select search scope currently catalog all catalog articles website more in one search catalog books media more in the stanford libraries collections articles journal articles other e resources

eating fire selected poetry 1965 1995 margaret atwood - Jun 10 2022

web eating fire selected poetry 1965 1995 margaret atwood hi welcome to bookrix here are two points that you must agree to if you have any questions please do not hesitate to contact us at privacy

eating fire selected poetry 1965 1995 selected po pdf - Apr 08 2022

web aug 10 2023 eating fire selected poetry 1965 1995 selected po 1 9 downloaded from uniport edu ng on august 10 2023 by guest eating fire selected poetry 1965 1995 selected po when people should go to the book stores search foundation by shop shelf by shelf it is in point of fact problematic this is why we provide the ebook compilations in

eating fire selected poetry 1965 1995 amazon com au - Mar 19 2023

web eating fire selected poetry 1965 1995 paperback 1 july 2010 the evolution of margaret atwood s poetry illuminates a major literary talent through bus trips and postcards wilderness and trivia she reflects the passion and energy of a writer intensely engaged with her craft and the world

eating fire selected poetry 1965 1995 amazon co uk - Apr 20 2023

web buy eating fire selected poetry 1965 1995 by atwood margaret isbn 9781844086931 from amazon s book store everyday low prices and free delivery on eligible orders

eating fire selected poetry 1965 1995 selected po uniport edu - Jan 05 2022

web mar 6 2023 eating fire selected poetry 1965 1995 selected po 2 8 downloaded from uniport edu ng on march 6 2023 by guest railroad at once heart wrenching and uplifting this story about friendship and the strength of the human spirit will touch the lives of all readers long after the journey has ended

eating fire selected poetry 1965 1995 scispace by typeset - Jun 22 2023

web dec 31 1997 eating fire selected poetry 1965 1995 margaret eleanor atwood 31 dec 1997 abstract the evolution of margaret atwood s poetry illuminates one of our major literary talents here as in her novels is intensity combined with sardonic detachment and in these early poems her genius for a level stare at the ordinary is wonderfully apparent

eating fire selected poetry 1965 1995 by atwood margaret - Nov 15 2022

web buy eating fire selected poetry 1965 1995 by atwood margaret online on amazon ae at best prices fast and free shipping

free returns cash on delivery available on eligible purchase

[eating fire selected poetry 1965 95 by margaret atwood goodreads](#) - Aug 24 2023

web jan 1 1998 her poetic voice is crystal clear insistent unmistakably her own through bus trips and postcards wilderness and trivia she reflects the passion and energy of a writer intensely engaged with her craft and the world two former collections poems 1965 1975 and poems 1976 1986 are presented together with her latest collection morning in

[eating fire selected poetry 1965 1995 margaret atwood](#) - Sep 13 2022

web sep 14 2023 eating fire selected poetry 19651995 margaret atw 10 24 free postage buy 1 get 1 at 25 off add 2 to basket see all eligible items and terms have one to sell sell it yourself eating fire selected poetry 1965 1995 marg aret atwood condition good price 75 00 buy it now add to basket watch this item breathe easy returns

[eating fire selected poetry 1965 1995 google books](#) - Jul 23 2023

web eating fire selected poetry 1965 1995 margaret atwood google books the evolution of margaret atwood s poetry illuminates one of our major literary talents here as in her novels is intensity combined with sardonic detachment and in these early poems her genius for a level stare at the ordinary is wonderfully apparent