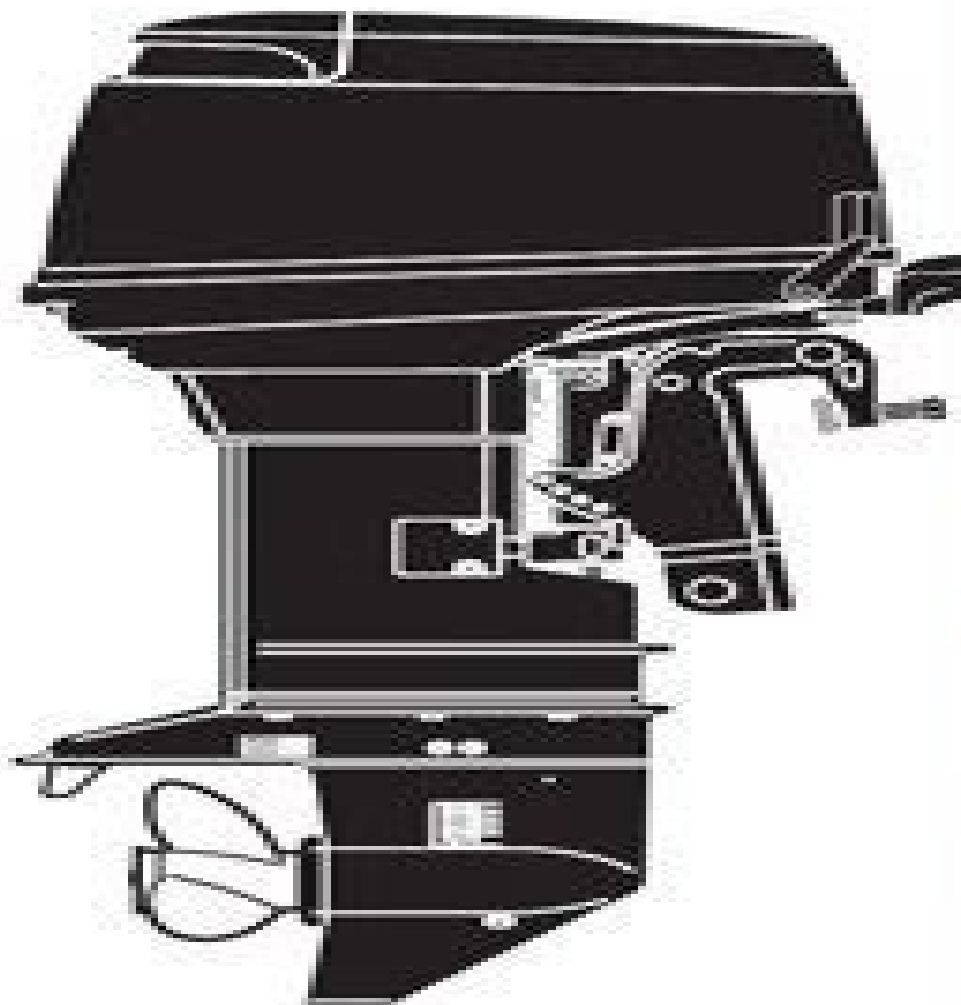


# SERVICE MANUAL

 **TOHATSU**  
Outboards



*TOHATSU*

## MD 30B2 40/50B2 Models

OB No.003-21050-3  
13-10 MB

# Tohatsu 15 Hp Service Manual

**Michael Brown**



## **Tohatsu 15 Hp Service Manual:**

*Outboard Motor Service Manual* Intertec Publishing,1987 Detailed tips on periodic servicing troubleshooting general maintenance and repair are explicitly outlined in this manual Repair is easy with the specifications and step by step repair procedures included for hundreds of models Volume II covers models with 30hp and above *Outboard Engines* Edwin R. Sherman,1997 *Outboard Engines* fills the gap between owner s manuals that don t even tell you how to change a spark plug and professional shop manuals that detail how to do a complete rebuild It covers basic principles and techniques for a wide variety of outboards four stroke as well as two stroke with the emphasis on maintenance and advanced troubleshooting Ed Sherman s clear explanations and diagrams take you step by step through the basics and beyond helping you track down even the most elusive problems a modern outboard can throw in your way his methodical approach can save you a world of frustration and peril as well as time and a half weekend mechanics charges **Atlantic Fisherman** ,1984-12 *Lakeland Boating* ,1989 **American Book Publishing Record** ,1992 *Cruising World* ,1995-01 *Seloc Nissan/Tohatsu Outboards 1992-09 Repair Manual* (Seloc) Seloc,2010 Covers all 2 140 HP 2 stroke and 4 stroke engines including EFI TLDI Front cover **Diver** ,1985 **Tohatsu 2-Stroke OB 92-00** Penton Staff,2000-05-24 2 5 HP 3 5 HP 5 HP 8 HP 9 8 HP 9 9 HP 15 HP 18 HP 25 HP 30 HP 40 HP 50 HP 60 HP 70 HP 80 HP 90 HP 115 HP 120 HP 140 HP **Tohatsu Outboard Motor** ,1984 *Shop Manual* Tokyo Hatsudoki Co., Ltd,19?? *Shop Manual* Tokyo Hatsudoki Co., Ltd,19?? *Evinrude 1 1/2 to 40 Hp. Outboard Motor Service Manual* ,1976 **Tohatsu Outboard Motor, M5A2, M3.5A** ,1981 *Evinrude 50 to 135 Hp. Outboard Motor Service Manual* Outboard Marine Corporation. Evinrude Motors Division,1976 *Evinrude Service Manual, 1976* Outboard Marine Corporation. Evinrude Motors Division,1975 *Evinrude Service Manual, 1975* Outboard Marine Corporation. Evinrude Motors Division,1974 *Johnson 1 1/2 to 40 Hp. Outboard Motor Service Manual.* -- Intertec Publishing Corporation. Abos Marine Publications Division,1976 **Outboard Motor Service Manual** Evinrude Motors,1956 **Evinrude Outboard Motor Service Manual** Evinrude Motors. Service Division,1956

Tohatsu 15 Hp Service Manual: Bestsellers in 2023 The year 2023 has witnessed a noteworthy surge in literary brilliance, with numerous compelling novels captivating the hearts of readers worldwide. Lets delve into the realm of popular books, exploring the fascinating narratives that have enthralled audiences this year. The Must-Read : Colleen Hoovers "It Ends with Us" This touching tale of love, loss, and resilience has gripped readers with its raw and emotional exploration of domestic abuse. Hoover masterfully weaves a story of hope and healing, reminding us that even in the darkest of times, the human spirit can succeed. Uncover the Best : Taylor Jenkins Reids "The Seven Husbands of Evelyn Hugo" This captivating historical fiction novel unravels the life of Evelyn Hugo, a Hollywood icon who defies expectations and societal norms to pursue her dreams. Reids compelling storytelling and compelling characters transport readers to a bygone era, immersing them in a world of glamour, ambition, and self-discovery. Discover the Magic : Delia Owens "Where the Crawdads Sing" This evocative coming-of-age story follows Kya Clark, a young woman who grows up alone in the marshes of North Carolina. Owens weaves a tale of resilience, survival, and the transformative power of nature, captivating readers with its evocative prose and mesmerizing setting. These bestselling novels represent just a fraction of the literary treasures that have emerged in 2023. Whether you seek tales of romance, adventure, or personal growth, the world of literature offers an abundance of compelling stories waiting to be discovered. The novel begins with Richard Papen, a bright but troubled young man, arriving at Hampden College. Richard is immediately drawn to the group of students who call themselves the Classics Club. The club is led by Henry Winter, a brilliant and charismatic young man. Henry is obsessed with Greek mythology and philosophy, and he quickly draws Richard into his world. The other members of the Classics Club are equally as fascinating. Bunny Corcoran is a wealthy and spoiled young man who is always looking for a good time. Charles Tavis is a quiet and reserved young man who is deeply in love with Henry. Camilla Macaulay is a beautiful and intelligent young woman who is drawn to the power and danger of the Classics Club. The students are all deeply in love with Morrow, and they are willing to do anything to please him. Morrow is a complex and mysterious figure, and he seems to be manipulating the students for his own purposes. As the students become more involved with Morrow, they begin to commit increasingly dangerous acts. The Secret History is a masterful and suspenseful novel that will keep you wondering until the very end. The novel is a cautionary tale about the dangers of obsession and the power of evil.

<https://hersolutiongelbuy.com/public/uploaded-files/Documents/Wink%20Of%20An%20Eye%20A%20Mystery.pdf>

## Table of Contents Tohatsu 15 Hp Service Manual

1. Understanding the eBook Tohatsu 15 Hp Service Manual
  - The Rise of Digital Reading Tohatsu 15 Hp Service Manual
  - Advantages of eBooks Over Traditional Books
2. Identifying Tohatsu 15 Hp Service Manual
  - Exploring Different Genres
  - Considering Fiction vs. Non-Fiction
  - Determining Your Reading Goals
3. Choosing the Right eBook Platform
  - Popular eBook Platforms
  - Features to Look for in an Tohatsu 15 Hp Service Manual
  - User-Friendly Interface
4. Exploring eBook Recommendations from Tohatsu 15 Hp Service Manual
  - Personalized Recommendations
  - Tohatsu 15 Hp Service Manual User Reviews and Ratings
  - Tohatsu 15 Hp Service Manual and Bestseller Lists
5. Accessing Tohatsu 15 Hp Service Manual Free and Paid eBooks
  - Tohatsu 15 Hp Service Manual Public Domain eBooks
  - Tohatsu 15 Hp Service Manual eBook Subscription Services
  - Tohatsu 15 Hp Service Manual Budget-Friendly Options
6. Navigating Tohatsu 15 Hp Service Manual eBook Formats
  - ePub, PDF, MOBI, and More
  - Tohatsu 15 Hp Service Manual Compatibility with Devices
  - Tohatsu 15 Hp Service Manual Enhanced eBook Features
7. Enhancing Your Reading Experience
  - Adjustable Fonts and Text Sizes of Tohatsu 15 Hp Service Manual
  - Highlighting and Note-Taking Tohatsu 15 Hp Service Manual
  - Interactive Elements Tohatsu 15 Hp Service Manual
8. Staying Engaged with Tohatsu 15 Hp Service Manual

- Joining Online Reading Communities
  - Participating in Virtual Book Clubs
  - Following Authors and Publishers Tohatsu 15 Hp Service Manual
9. Balancing eBooks and Physical Books Tohatsu 15 Hp Service Manual
- Benefits of a Digital Library
  - Creating a Diverse Reading Collection Tohatsu 15 Hp Service Manual
10. Overcoming Reading Challenges
- Dealing with Digital Eye Strain
  - Minimizing Distractions
  - Managing Screen Time
11. Cultivating a Reading Routine Tohatsu 15 Hp Service Manual
- Setting Reading Goals Tohatsu 15 Hp Service Manual
  - Carving Out Dedicated Reading Time
12. Sourcing Reliable Information of Tohatsu 15 Hp Service Manual
- Fact-Checking eBook Content of Tohatsu 15 Hp Service Manual
  - Distinguishing Credible Sources
13. Promoting Lifelong Learning
- Utilizing eBooks for Skill Development
  - Exploring Educational eBooks
14. Embracing eBook Trends
- Integration of Multimedia Elements
  - Interactive and Gamified eBooks

### **Tohatsu 15 Hp Service Manual Introduction**

In the digital age, access to information has become easier than ever before. The ability to download Tohatsu 15 Hp Service Manual has revolutionized the way we consume written content. Whether you are a student looking for course material, an avid reader searching for your next favorite book, or a professional seeking research papers, the option to download Tohatsu 15 Hp Service Manual has opened up a world of possibilities. Downloading Tohatsu 15 Hp Service Manual provides numerous advantages over physical copies of books and documents. Firstly, it is incredibly convenient. Gone are the days of carrying around heavy textbooks or bulky folders filled with papers. With the click of a button, you can gain immediate

access to valuable resources on any device. This convenience allows for efficient studying, researching, and reading on the go. Moreover, the cost-effective nature of downloading Tohatsu 15 Hp Service Manual has democratized knowledge. Traditional books and academic journals can be expensive, making it difficult for individuals with limited financial resources to access information. By offering free PDF downloads, publishers and authors are enabling a wider audience to benefit from their work. This inclusivity promotes equal opportunities for learning and personal growth. There are numerous websites and platforms where individuals can download Tohatsu 15 Hp Service Manual. These websites range from academic databases offering research papers and journals to online libraries with an expansive collection of books from various genres. Many authors and publishers also upload their work to specific websites, granting readers access to their content without any charge. These platforms not only provide access to existing literature but also serve as an excellent platform for undiscovered authors to share their work with the world. However, it is essential to be cautious while downloading Tohatsu 15 Hp Service Manual. Some websites may offer pirated or illegally obtained copies of copyrighted material. Engaging in such activities not only violates copyright laws but also undermines the efforts of authors, publishers, and researchers. To ensure ethical downloading, it is advisable to utilize reputable websites that prioritize the legal distribution of content. When downloading Tohatsu 15 Hp Service Manual, users should also consider the potential security risks associated with online platforms. Malicious actors may exploit vulnerabilities in unprotected websites to distribute malware or steal personal information. To protect themselves, individuals should ensure their devices have reliable antivirus software installed and validate the legitimacy of the websites they are downloading from. In conclusion, the ability to download Tohatsu 15 Hp Service Manual has transformed the way we access information. With the convenience, cost-effectiveness, and accessibility it offers, free PDF downloads have become a popular choice for students, researchers, and book lovers worldwide. However, it is crucial to engage in ethical downloading practices and prioritize personal security when utilizing online platforms. By doing so, individuals can make the most of the vast array of free PDF resources available and embark on a journey of continuous learning and intellectual growth.

### **FAQs About Tohatsu 15 Hp Service Manual Books**

How do I know which eBook platform is the best for me? Finding the best eBook platform depends on your reading preferences and device compatibility. Research different platforms, read user reviews, and explore their features before making a choice. Are free eBooks of good quality? Yes, many reputable platforms offer high-quality free eBooks, including classics and public domain works. However, make sure to verify the source to ensure the eBook credibility. Can I read eBooks without an eReader? Absolutely! Most eBook platforms offer webbased readers or mobile apps that allow you to read

eBooks on your computer, tablet, or smartphone. How do I avoid digital eye strain while reading eBooks? To prevent digital eye strain, take regular breaks, adjust the font size and background color, and ensure proper lighting while reading eBooks. What the advantage of interactive eBooks? Interactive eBooks incorporate multimedia elements, quizzes, and activities, enhancing the reader engagement and providing a more immersive learning experience. Tohatsu 15 Hp Service Manual is one of the best book in our library for free trial. We provide copy of Tohatsu 15 Hp Service Manual in digital format, so the resources that you find are reliable. There are also many Ebooks of related with Tohatsu 15 Hp Service Manual. Where to download Tohatsu 15 Hp Service Manual online for free? Are you looking for Tohatsu 15 Hp Service Manual PDF? This is definitely going to save you time and cash in something you should think about. If you trying to find then search around for online. Without a doubt there are numerous these available and many of them have the freedom. However without doubt you receive whatever you purchase. An alternate way to get ideas is always to check another Tohatsu 15 Hp Service Manual. This method for see exactly what may be included and adopt these ideas to your book. This site will almost certainly help you save time and effort, money and stress. If you are looking for free books then you really should consider finding to assist you try this. Several of Tohatsu 15 Hp Service Manual are for sale to free while some are payable. If you arent sure if the books you would like to download works with for usage along with your computer, it is possible to download free trials. The free guides make it easy for someone to free access online library for download books to your device. You can get free download on free trial for lots of books categories. Our library is the biggest of these that have literally hundreds of thousands of different products categories represented. You will also see that there are specific sites catered to different product types or categories, brands or niches related with Tohatsu 15 Hp Service Manual. So depending on what exactly you are searching, you will be able to choose e books to suit your own need. Need to access completely for Campbell Biology Seventh Edition book? Access Ebook without any digging. And by having access to our ebook online or by storing it on your computer, you have convenient answers with Tohatsu 15 Hp Service Manual To get started finding Tohatsu 15 Hp Service Manual, you are right to find our website which has a comprehensive collection of books online. Our library is the biggest of these that have literally hundreds of thousands of different products represented. You will also see that there are specific sites catered to different categories or niches related with Tohatsu 15 Hp Service Manual So depending on what exactly you are searching, you will be able tochoose ebook to suit your own need. Thank you for reading Tohatsu 15 Hp Service Manual. Maybe you have knowledge that, people have search numerous times for their favorite readings like this Tohatsu 15 Hp Service Manual, but end up in harmful downloads. Rather than reading a good book with a cup of coffee in the afternoon, instead they juggled with some harmful bugs inside their laptop. Tohatsu 15 Hp Service Manual is available in our book collection an online access to it is set as public so you can download it instantly. Our digital library spans in multiple locations, allowing you to get the most less latency time to download any of our books like this one. Merely said, Tohatsu 15 Hp Service Manual is



universally compatible with any devices to read.

**Find Tohatsu 15 Hp Service Manual :**

*wink of an eye a mystery*

*winterhalter gs 315 repair manual*

**windows explorer manual**

winter count barry lopez

wiring diagram 1 light 2 switches

winx club la vengeance de la nature

wiring diagram 20rav 4 trailer harness

**winbook lm laptops owners manual**

**winning is everything harvard sisters trilogy book english edition**

winning cupcake recipe

windows product documentation

**wiring diagram 1983 crusader 454**

**winter howl sanctuary book 1**

wince flexible runtime manual

*wiring diagram 2000 mitsubishi galant*

**Tohatsu 15 Hp Service Manual :**

**the first fifteen lives of harry august the word of mouth** - Sep 08 2022

apr 8 2014 wildly original funny and moving the first fifteen lives of harry august is an extraordinary story of a life lived again and again from world fantasy award winning author

**the first fifteen lives of harry august hachette book group** - Jun 05 2022

oct 21 2014 wildly original funny and moving the first fifteen lives of harry august is an extraordinary story of a life lived again and again from world fantasy award winning author

*review of the first fifteen lives of harry august roger s reads* - Mar 02 2022

sep 15 2020 ebook p d f the first fifteen lives of harry august full pages details details product some stories cannot be told in just one lifetime harry august is on his

**the first fifteen lives of harry august the word of** - Nov 10 2022

jan 1 2014 living lives over again is not a new topic but the way that claire north has put a fresh spin on the idea with this book creating a world where her protagonist harry august

**the first fifteen lives of harry august the word of** - Sep 20 2023

apr 8 2014 buy the first fifteen lives of harry august the word of mouth bestseller you won t want to miss by north claire from amazon s fiction books store everyday low prices on a huge range of new releases and classic fiction

**the first fifteen lives of harry august the word of mouth** - Mar 14 2023

apr 8 2014 claire north the first fifteen lives of harry august the word of mouth bestseller you won t want to miss kindle edition by claire north author format kindle

the first fifteen lives of harry august the word of mouth - Jan 12 2023

apr 8 2014 the first fifteen lives of harry august the word of mouth bestseller you won t want to miss kindle edition by claire north author format kindle edition 4 3 15 339 ratings

the first fifteen lives of harry august the word of mouth - Oct 09 2022

oct 21 2014 wildly original funny and moving the first fifteen lives of harry august is an extraordinary story of a life lived again and again from world fantasy award winning author

*the first fifteen lives of harry august supersummary* - May 04 2022

nov 28 2018 the story really picked up speed and ended up being exciting and gripping engaging me all the way to the surprising and stunning yet entirely satisfying ending all an

**the first fifteen lives of harry august amazon in** - Feb 01 2022

start a discussion about improving the the first fifteen lives of harry august page talk pages are where people discuss how to make content on wikipedia the best that it can be you can

*the first fifteen lives of harry august the word of* - Dec 11 2022

the first fifteen lives of harry august the word of mouth bestseller you won t want to miss ebook north claire amazon in kindle store

*the first fifteen lives of harry august the word of* - Jul 18 2023

the first fifteen lives of harry august is a novel by claire north a pseudonym of british author catherine webb published in april 2014 it won the john w campbell memorial award for best science fiction novel was nominated for the arthur c clarke award for best science fiction novel and was featured in both the richard and judy book club and the bbc radio 2 book club

the first fifteen lives of harry august amazon com - Apr 03 2022

novelicious part unique and intriguing mystery part philosophical look at life memory and time travel this story kept me

totally gripped from the opening words to the mind blowing finale

**the first fifteen lives of harry august the word of mouth** - Apr 15 2023

e book apr 8 2014 9781405528252 rrp 11 99 buy now the extraordinary journey of one unforgettable character a story of friendship and betrayal loyalty and redemption love and

**the first fifteen lives of harry august goodreads** - Aug 19 2023

the first fifteen lives of harry august the word of mouth bestseller you won t want to miss paperback 28 aug 2014 by claire north author 4 3 4 3 out of 5 stars 15 516 ratings

the first fifteen lives of harry august the word of mouth - May 16 2023

the first fifteen lives of harry august the word of mouth bestseller you won t want to miss claire north apr 2014 hachette uk 4 4 star 242 reviews ebook 416 pages about this ebook

the first fifteen lives of harry august wikipedia - Jun 17 2023

the first fifteen lives of harry august the word of mouth bestseller you won t want to miss claire north amazon com tr kitap

**talk the first fifteen lives of harry august wikipedia** - Nov 29 2021

**the first fifteen lives of harry august google books** - Jul 06 2022

get ready to explore the first fifteen lives of harry august and its meaning our full analysis and study guide provides an even deeper dive with character analysis and quotes explained to

e book download the first fifteen lives of harry august full - Dec 31 2021

the first fifteen lives of harry august the word of - Feb 13 2023

the first fifteen lives of harry august was released in 2014 and won the john w campbell memorial award as well as being nominated for the arthur c clark award it gained

**the first fifteen lives of harry august google books** - Aug 07 2022

oct 21 2014 wildly original funny and moving the first fifteen lives of harry august is an extraordinary story of a life lived again and again from world fantasy award winning author

chapter 30 sensation perception cognition - Mar 09 2023

web what are the four components of a sensory experience stimulus reception perception arousal mechanism what is the role of the reticular system in the sensory experience

*free nursing flashcards about sensory part 1 studystack* - Jul 01 2022

web perception d reaction ans c perception occurs when the person becomes conscious of stimuli and interprets information

signals reception refers to receiving stimuli and  
*nclex review questions sensory perception* - Nov 24 2021

web nclex review questions sensory perception and numerous book collections from fictions to scientific research in any way accompanied by them is this nclex review questions

**nclex q a sensory flashcards quizlet** - Dec 06 2022

web sensory overload is the condition that results when a person experiences so much sensory stimuli that the brain is unable to either respond meaningfully or ignore the stimuli

nclex qs sensory perception flashcards quizlet - May 11 2023

web nclex qs sensory perception 5 0 2 reviews which client is at greatest risk for experiencing sensory overload 1 a 40 year old client in isolation with no family 2 a 28

*nclex review questions sensory perception pdf uniport edu* - Dec 26 2021

web exam questions samples nclex scribd sensory perception questions practice khan academy exam 3 chapter 49 potter perry fundamentals of nursing nurse plus

sensory perception nclex flashcards chegg com - Sep 03 2022

web overview sensation 5 senses more transduction absolute thresholds perception sensory adaptation perceptual set context effects

sensory perception nclex practice student copy 1 11 pptx - Feb 25 2022

web mar 23 2023 to prepare for the nclex exam complete content review and over 5 100 nclex examination style questions in the book and online this is the first edition to

*nclex style questions sensory perception flashcards quizlet* - Aug 14 2023

web which sensory changes does the nurse anticipate have occurred select all that apply a increased tactile sensation b decreased sense of taste c decreased sense of hearing d impaired sense of smell e increased sense of taste the nurse is reviewing the

**sensory perception pdf 4 20 2021 nclex fundamentals** - May 31 2022

web mar 24 2023 in this section of the nclex rn examination you will be expected to demonstrate your knowledge and skills of sensory and perceptual alterations in order

**sensory perception questions practice khan academy** - Jan 07 2023

web sensory perception questions google classroom clinicians will see large amounts of data labs results patient symptoms etc over the course of their practice and their brains will subconsciously group that data along certain established principles

**chapter 30 sensation perception cognition studocu** - Mar 29 2022

web sensory perception nclex practice questions k murray ms rn review sensory deprivation when environmental stimuli are deficient the remaining stimuli such as

**sensory and perceptual alterations nclex rn rn programs** - Apr 29 2022

web preview text chapter 30 sensation perception amp cognition understand concepts of sensation reception and perception to best meet patient needs components of

*eye ears and sleep disorders nclex practice* - Oct 04 2022

web a speak fast and loudly b minimize background noise c write down what the client does not understand d allow plenty of time for client to respond e use brief sentences with simple

*nclex question cognitive sensory nursing* - Apr 10 2023

web a patient is identified as having disturbed sensory perception nursing goals for this patient include the ability to do which of the following select all that apply a demonstrate

**nclex review questions sensory perception pdf gccca** - Jan 27 2022

web aug 7 2023 as this nclex review questions sensory perception it ends taking place being one of the favored ebook nclex review questions sensory perception collections

*01 07 sensation perception free nursing com courses* - Aug 02 2022

web question answer sensory reception process of receiving stimuli or data sensory perception conscious organization an dtranslation of data into meaningful info sensory

**chapter 30 sensation perception response nclex** - Jul 13 2023

web which statement best describes adaptation in relation to sensory perception a adaptation involves a stimulus and how the brain recognizes it b adaptation is the

**sensory perception nclex practice questions quizlet** - Jun 12 2023

web study with quizlet and memorize flashcards containing terms like which statement best describes adaptation in relation to sensory perception 1 adaptation involves a

**nclex review questions sensory perception** - Oct 24 2021

web download and install nclex review questions sensory perception suitably simple nclex rn excel brenda reap thompson msn rn cne 2010 02 23 nclex

*sensory perception 2 pdf 4 20 2021 nclex style questions* - Feb 08 2023

web key term sensory perception nursing questions this preview shows page 1 2 out of 3 pages view full document 4 20 2021 nclex style questions sensory perception

*sensory nclex questions flashcards quizlet* - Nov 05 2022

web 4 8 5 reviews the nurse is preparing to reinforce a teaching plan for a client who is undergoing cataract extraction with intraocular implant which home care measures  
[nclex review questions sensory perception](#) - Sep 22 2021

[importance of teachers essay in kannada](#) - Nov 23 2022

web sep 24 2022 [importance of teachers essay in kannada education prabandha](#) [importance of teachers essay in kannada by kannadanew com september 24 2022 0 947](#) [importance of teachers essay in kannada](#)

[virginia teacher shot by 6 year old can proceed with 40 million](#) - Jul 20 2022

web 19 hours ago [newport news va a teacher who was shot by her 6 year old student in virginia can press forward with her 40 million lawsuit against a school system over claims of negligence by school](#)

[kannada stories kannada fairy tales story](#) - Mar 28 2023

web jul 10 2022 [school teacher punishment kannada stories kannada fairy tales stories in kannada kannada moral stories story world](#)

[teacher on leave after dressing as devil telling students hail](#) - Feb 12 2022

web 1 day ago [teacher on leave after dressing as devil telling students hail satan by jack davis november 2 2023 at 8 02am an arizona math teacher who told his students hail satan while wearing horns and carrying a pitchfork has been put on administrative leave the incident took place last week at mesa high school according to kpnx](#)

[court allows us teacher shot by 6 year old student to sue school](#) - Oct 23 2022

web 10 hours ago [newport news updated nov 4 2023 08 35 ist a teacher who was shot by her 6 year old student in virginia can press forward with her 40 million lawsuit against a school system over claims of negligence by school administrators a judge ruled friday the surprise decision by newport news circuit court judge matthew hoffman means that](#)

[kannada motivational story teacher student heart touching story](#) - May 30 2023

web sep 13 2023 [kannada motivational story teacher student heart touching story kannada storieswelcome to guru gyan kannada kannada youtube channel please subscribe an](#)

[kannada classics story](#) - Feb 24 2023

web [kannada classics story kaveri p u storymirror 4](#) [kannada story 429 kannada story classics 135 life teacher student](#) 1 min 246 kannada

[part 02 teacher vs student kannada](#) - Oct 03 2023

web [part 02 teacher vs student kannada stories kannada kathe kannada fairy tales kannada bedtime](#)

dreamskantara episodes ☐ ☐ ☐

**unbelievable story of teacher and students in kannada gk adda** - Aug 01 2023

web sep 29 2023 unbelievable story of teacher and students in kannada gk adda sonu gk stories youtube 0 00 6 10

unbelievable story of teacher and students in kannada gk adda sonu gk

**essay on teachers day in kannada language brainly** - Jun 18 2022

web oct 5 2016 swayed meaning in gujarati swayed meaning in punjabi compatibility meaning in hindi with example

compatibility meaning in marathi advertisement essay on teachers day in kannada language 806002

*teacher student kannada story programma syriza gr* - Mar 16 2022

web teacher student kannada story bipolar identity oswaal cbse chapterwise topicwise question bank class 9 english

communicative book for 2023 24 exam aesop s fables panchatantra stories sanathana sarathi english volume 03 1980 to 1989

a history of indian literature 1911 1956 struggle for freedom triumph and tragedy

teachers day kannada films that highlighted teacher student - Jan 26 2023

web sep 5 2023 of the several wonderfully written characters chamayya meshtre and ramachari teacher and student

respectively won the hearts of the kannada audience shot mostly in chitradurga the film revolves around the titular role

ramachari is an angry young man with a good heart

**teacher student kannada story ceu social** - Sep 21 2022

web teacher student kannada story teacher student kannada story 2 downloaded from ceu social on 2023 09 30 by guest and

editable chapter specific powerpoint slides social justice in teacher education equity diversity inclusion 2022 08 09 tara

ratnam the suragi tree 2006 prabhaker acharya sudhakar rao spends hours reading under a

teacher student title story - Aug 21 2022

web read teacher student stories

**teacherstudentkannadastory dev2 bryanu** - Dec 25 2022

web social justice in teacher education equity diversity inclusion early years in india link masterpieces of indian literature

assamese bengali english gujarati hindi kannada kashmiri konkani malayalam a catalogue of the kannada badaga and kurg

books in the library of the british museum pedagogies for development resources in education

teacher meaning in kannada shabdkosh - May 18 2022

web teacher noun a personified abstraction that teaches ☐ ☐ ☐ examples books were his teachers experience is a demanding

teacher a person whose occupation is teaching synonyms instructor instructor

kannada story kannada educational story kannada motivational story - Apr 28 2023

web dec 7 2022 sakthikannadakannada story kannada educational story kannada motivational story ☐ ☐ ☐☐ ☐☐ ☐ ☐☐ ☐ ☐

kannadastory kannadakamakathegalu katherin

**virginia teacher shot by 6 year old can proceed with 40 million** - Apr 16 2022

web 19 hours ago file abby zwerner a teacher shot by her 6 year old student attends a hearing for a civil lawsuit she filed against the newport news public schools friday oct 27 2023 in newport news va zwerner can proceed with her 40 million lawsuit against newport news public schools a judge ruled friday nov 3 this story corrects the

abdul kalam a lesson for my teacher learn kannada story - Jun 30 2023

web abdul kalam a lesson for my teacher learn kannada story for children adults bookbox kannada 827 subscribers subscribe 220 13k views 1 year ago learn2read bookbox

□ □ □ □ □ □ □ □ **a short teacher stories in kannada kannada** - Sep 02 2023

web □ □ □ □ □ □ □ □ a short teacher stories in kannada kannada kathegalu kannada moral stories animated stories kannada stories jm tv kannad