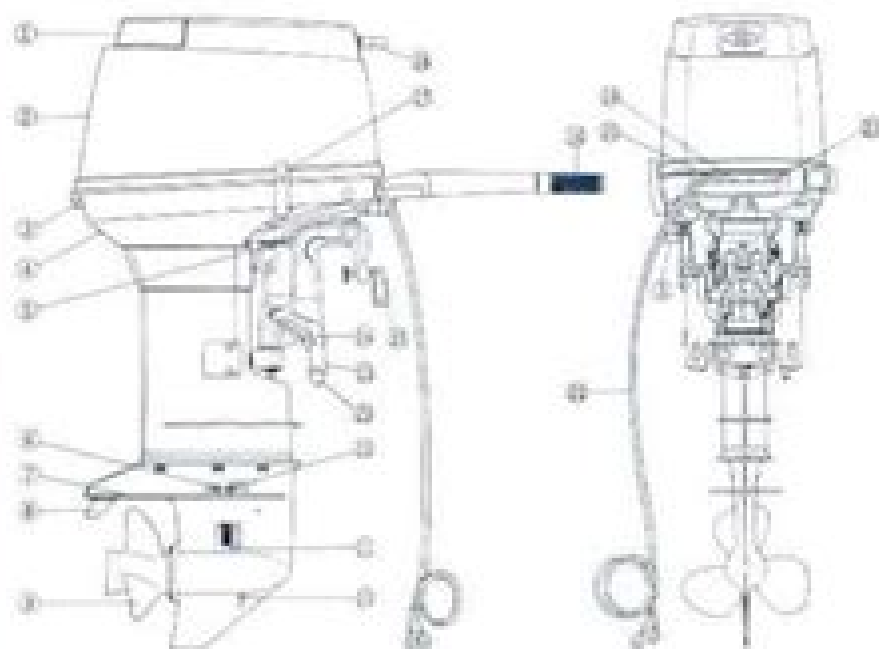


40D_rEF/50D_rEF

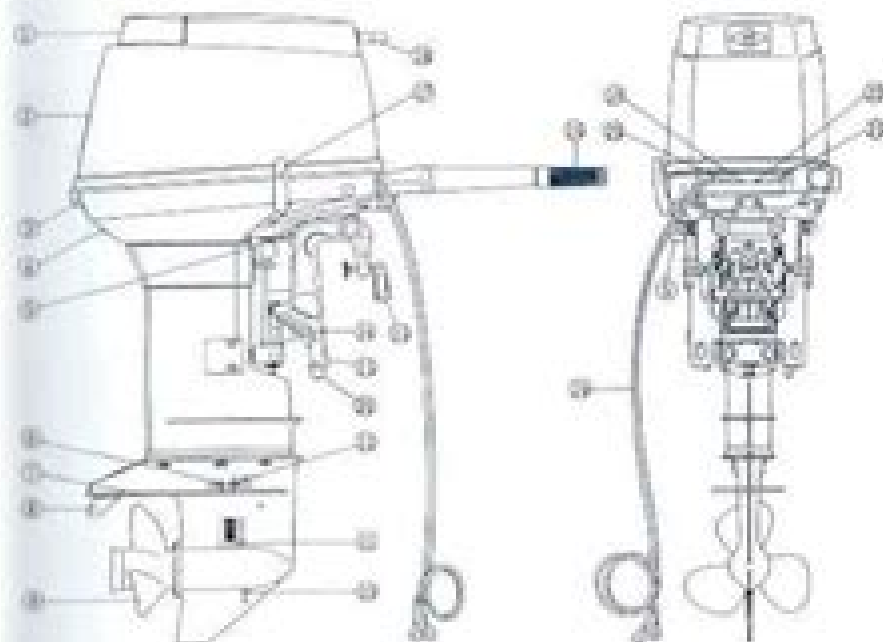


- ① Trim Handle
- ② Upper Motor Cover
- ③ Hook Lever
- ④ Water Check Port
- ⑤ Reverse Lock Lever
- ⑥ Water Plug
- ⑦ Anti-ventilation Plate
- ⑧ Trim Tab
- ⑨ Propeller
- ⑩ Oil Plug (lower)

- ⑪ Water Strainer
- ⑫ Oil Plug (upper)
- ⑬ Stern Bracket
- ⑭ Thrust Rod
- ⑮ Clamp Screw
- ⑯ Throttle Grip
- ⑰ Shift Lever
- ⑱ Starter Handle
- ⑲ Stop Switch
- ⑳ Choke Knob

- ⑳ Main Switch
- ㉑ Battery Cords
- ㉒ Anode

40D_rEFO/50D_rEFO



- ① Trim Handle
- ② Upper Motor Cover
- ③ Hook Lever
- ④ Water Check Port
- ⑤ Reverse Lock Lever
- ⑥ Water Plug
- ⑦ Anti-ventilation Plate
- ⑧ Trim Tab
- ⑨ Propeller
- ⑩ Oil Plug (lower)

- ⑪ Water Strainer
- ⑫ Oil Plug (upper)
- ⑬ Stern Bracket
- ⑭ Thrust Rod
- ⑮ Clamp Screw
- ⑯ Throttle Grip
- ⑰ Shift Lever
- ⑱ Starter Handle
- ⑲ Stop Switch
- ⑳ Choke Knob

- ㉑ Anode
- ㉒ Pilot Lamp
- ㉓ Main Switch
- ㉔ Battery Cords

Tohatsu 40hp Service Manual

David Kirk



Tohatsu 40hp Service Manual:

Outboard Motor Service Manual Intertec Publishing,1987 Detailed tips on periodic servicing troubleshooting general maintenance and repair are explicitly outlined in this manual Repair is easy with the specifications and step by step repair procedures included for hundreds of models Volume II covers models with 30hp and above **Seloc Nissan/Tohatsu Outboards 1992-09 Repair Manual** (Seloc) Seloc,2010 Covers all 2 140 HP 2 stroke and 4 stroke engines including EFI TLDI Front cover Outboard Engines Edwin R. Sherman,1997 Outboard Engines fills the gap between owner s manuals that don t even tell you how to change a spark plug and professional shop manuals that detail how to do a complete rebuild It covers basic principles and techniques for a wide variety of outboards four stroke as well as two stroke with the emphasis on maintenance and advanced troubleshooting Ed Sherman s clear explanations and diagrams take you step by step through the basics and beyond helping you track down even the most elusive problems a modern outboard can throw in your way his methodical approach can save you a world of frustration and peril as well as time and a half weekend mechanics charges

American Book Publishing Record ,1992 Australian Fisheries ,1982 Books in Print Supplement ,2002
Atlantic Fisherman ,1983 **Diver** ,1986 **Lakeland Boating** ,1983 **Tohatsu Outboard Motor** ,1984
Tohatsu 2-Stroke OB 92-00 Penton Staff,2000-05-24 2 5 HP 3 5 HP 5 HP 8 HP 9 8 HP 9 9 HP 15 HP 18 HP 25 HP 30 HP 40 HP 50 HP 60 HP 70 HP 80 HP 90 HP 115 HP 120 HP 140 HP Shop Manual Tokyo Hatsudoki Co., Ltd,19??
Shop Manual Tokyo Hatsudoki Co., Ltd,19?? *Johnson 1 1/2 to 40 Hp. Outboard Motor Service Manual* Johnson Outboards,1976 Tohatsu Outboard Motor, M5A2, M3.5A ,1981 **Outboard Motor Service Manual** Intertec Publishing Corp.. Abos Marine Publications Division,1973 Outboard Motor Service Manual ,1983 **Outboard Motor Service Manual** ,1973 **Outboard motor service manual** ,1991 Quad Service Manual Outboard Marine Corporation. Elto Division,1930

When somebody should go to the ebook stores, search creation by shop, shelf by shelf, it is essentially problematic. This is why we present the book compilations in this website. It will totally ease you to see guide **Tohatsu 40hp Service Manual** as you such as.

By searching the title, publisher, or authors of guide you essentially want, you can discover them rapidly. In the house, workplace, or perhaps in your method can be all best place within net connections. If you intend to download and install the Tohatsu 40hp Service Manual, it is very simple then, past currently we extend the member to buy and make bargains to download and install Tohatsu 40hp Service Manual suitably simple!

<https://hersolutiongelbuy.com/book/detail/HomePages/summit%20training%20web%20guide.pdf>

Table of Contents Tohatsu 40hp Service Manual

1. Understanding the eBook Tohatsu 40hp Service Manual
 - The Rise of Digital Reading Tohatsu 40hp Service Manual
 - Advantages of eBooks Over Traditional Books
2. Identifying Tohatsu 40hp Service Manual
 - Exploring Different Genres
 - Considering Fiction vs. Non-Fiction
 - Determining Your Reading Goals
3. Choosing the Right eBook Platform
 - Popular eBook Platforms
 - Features to Look for in an Tohatsu 40hp Service Manual
 - User-Friendly Interface
4. Exploring eBook Recommendations from Tohatsu 40hp Service Manual
 - Personalized Recommendations
 - Tohatsu 40hp Service Manual User Reviews and Ratings
 - Tohatsu 40hp Service Manual and Bestseller Lists

-
5. Accessing Tohatsu 40hp Service Manual Free and Paid eBooks
 - Tohatsu 40hp Service Manual Public Domain eBooks
 - Tohatsu 40hp Service Manual eBook Subscription Services
 - Tohatsu 40hp Service Manual Budget-Friendly Options
 6. Navigating Tohatsu 40hp Service Manual eBook Formats
 - ePub, PDF, MOBI, and More
 - Tohatsu 40hp Service Manual Compatibility with Devices
 - Tohatsu 40hp Service Manual Enhanced eBook Features
 7. Enhancing Your Reading Experience
 - Adjustable Fonts and Text Sizes of Tohatsu 40hp Service Manual
 - Highlighting and Note-Taking Tohatsu 40hp Service Manual
 - Interactive Elements Tohatsu 40hp Service Manual
 8. Staying Engaged with Tohatsu 40hp Service Manual
 - Joining Online Reading Communities
 - Participating in Virtual Book Clubs
 - Following Authors and Publishers Tohatsu 40hp Service Manual
 9. Balancing eBooks and Physical Books Tohatsu 40hp Service Manual
 - Benefits of a Digital Library
 - Creating a Diverse Reading Collection Tohatsu 40hp Service Manual
 10. Overcoming Reading Challenges
 - Dealing with Digital Eye Strain
 - Minimizing Distractions
 - Managing Screen Time
 11. Cultivating a Reading Routine Tohatsu 40hp Service Manual
 - Setting Reading Goals Tohatsu 40hp Service Manual
 - Carving Out Dedicated Reading Time
 12. Sourcing Reliable Information of Tohatsu 40hp Service Manual
 - Fact-Checking eBook Content of Tohatsu 40hp Service Manual
 - Distinguishing Credible Sources
 13. Promoting Lifelong Learning

-
- Utilizing eBooks for Skill Development
 - Exploring Educational eBooks
14. Embracing eBook Trends
- Integration of Multimedia Elements
 - Interactive and Gamified eBooks

Tohatsu 40hp Service Manual Introduction

In today's digital age, the availability of Tohatsu 40hp Service Manual books and manuals for download has revolutionized the way we access information. Gone are the days of physically flipping through pages and carrying heavy textbooks or manuals. With just a few clicks, we can now access a wealth of knowledge from the comfort of our own homes or on the go. This article will explore the advantages of Tohatsu 40hp Service Manual books and manuals for download, along with some popular platforms that offer these resources. One of the significant advantages of Tohatsu 40hp Service Manual books and manuals for download is the cost-saving aspect. Traditional books and manuals can be costly, especially if you need to purchase several of them for educational or professional purposes. By accessing Tohatsu 40hp Service Manual versions, you eliminate the need to spend money on physical copies. This not only saves you money but also reduces the environmental impact associated with book production and transportation. Furthermore, Tohatsu 40hp Service Manual books and manuals for download are incredibly convenient. With just a computer or smartphone and an internet connection, you can access a vast library of resources on any subject imaginable. Whether you're a student looking for textbooks, a professional seeking industry-specific manuals, or someone interested in self-improvement, these digital resources provide an efficient and accessible means of acquiring knowledge. Moreover, PDF books and manuals offer a range of benefits compared to other digital formats. PDF files are designed to retain their formatting regardless of the device used to open them. This ensures that the content appears exactly as intended by the author, with no loss of formatting or missing graphics. Additionally, PDF files can be easily annotated, bookmarked, and searched for specific terms, making them highly practical for studying or referencing. When it comes to accessing Tohatsu 40hp Service Manual books and manuals, several platforms offer an extensive collection of resources. One such platform is Project Gutenberg, a nonprofit organization that provides over 60,000 free eBooks. These books are primarily in the public domain, meaning they can be freely distributed and downloaded. Project Gutenberg offers a wide range of classic literature, making it an excellent resource for literature enthusiasts. Another popular platform for Tohatsu 40hp Service Manual books and manuals is Open Library. Open Library is an initiative of the Internet Archive, a non-profit organization dedicated to digitizing cultural artifacts and making them accessible to the public. Open Library hosts millions of books, including both public domain works and contemporary titles. It also allows users to

borrow digital copies of certain books for a limited period, similar to a library lending system. Additionally, many universities and educational institutions have their own digital libraries that provide free access to PDF books and manuals. These libraries often offer academic texts, research papers, and technical manuals, making them invaluable resources for students and researchers. Some notable examples include MIT OpenCourseWare, which offers free access to course materials from the Massachusetts Institute of Technology, and the Digital Public Library of America, which provides a vast collection of digitized books and historical documents. In conclusion, Tohatsu 40hp Service Manual books and manuals for download have transformed the way we access information. They provide a cost-effective and convenient means of acquiring knowledge, offering the ability to access a vast library of resources at our fingertips. With platforms like Project Gutenberg, Open Library, and various digital libraries offered by educational institutions, we have access to an ever-expanding collection of books and manuals. Whether for educational, professional, or personal purposes, these digital resources serve as valuable tools for continuous learning and self-improvement. So why not take advantage of the vast world of Tohatsu 40hp Service Manual books and manuals for download and embark on your journey of knowledge?

FAQs About Tohatsu 40hp Service Manual Books

1. Where can I buy Tohatsu 40hp Service Manual books? Bookstores: Physical bookstores like Barnes & Noble, Waterstones, and independent local stores. Online Retailers: Amazon, Book Depository, and various online bookstores offer a wide range of books in physical and digital formats.
2. What are the different book formats available? Hardcover: Sturdy and durable, usually more expensive. Paperback: Cheaper, lighter, and more portable than hardcovers. E-books: Digital books available for e-readers like Kindle or software like Apple Books, Kindle, and Google Play Books.
3. How do I choose a Tohatsu 40hp Service Manual book to read? Genres: Consider the genre you enjoy (fiction, non-fiction, mystery, sci-fi, etc.). Recommendations: Ask friends, join book clubs, or explore online reviews and recommendations. Author: If you like a particular author, you might enjoy more of their work.
4. How do I take care of Tohatsu 40hp Service Manual books? Storage: Keep them away from direct sunlight and in a dry environment. Handling: Avoid folding pages, use bookmarks, and handle them with clean hands. Cleaning: Gently dust the covers and pages occasionally.
5. Can I borrow books without buying them? Public Libraries: Local libraries offer a wide range of books for borrowing. Book Swaps: Community book exchanges or online platforms where people exchange books.

6. How can I track my reading progress or manage my book collection? Book Tracking Apps: Goodreads, LibraryThing, and Book Catalogue are popular apps for tracking your reading progress and managing book collections. Spreadsheets: You can create your own spreadsheet to track books read, ratings, and other details.
7. What are Tohatsu 40hp Service Manual audiobooks, and where can I find them? Audiobooks: Audio recordings of books, perfect for listening while commuting or multitasking. Platforms: Audible, LibriVox, and Google Play Books offer a wide selection of audiobooks.
8. How do I support authors or the book industry? Buy Books: Purchase books from authors or independent bookstores. Reviews: Leave reviews on platforms like Goodreads or Amazon. Promotion: Share your favorite books on social media or recommend them to friends.
9. Are there book clubs or reading communities I can join? Local Clubs: Check for local book clubs in libraries or community centers. Online Communities: Platforms like Goodreads have virtual book clubs and discussion groups.
10. Can I read Tohatsu 40hp Service Manual books for free? Public Domain Books: Many classic books are available for free as they're in the public domain. Free E-books: Some websites offer free e-books legally, like Project Gutenberg or Open Library.

Find Tohatsu 40hp Service Manual :

summit training web guide

sunday school lesson for fall quarter 2013

sugar run road

suddenly annies father

summer math practice for 6th grade

subwoofer cone repair kit

summer study guide soar 2015 outliers answers

suffolk county civil service department manual

suggestion for the jsc exam 2014

summit 8ski doo repair manual

summer study guide ch answers

sullair compressor manual ts32

summary of poppie die drama

[summary for the dube train](#)
[sullivan palatek 50dg manual](#)

Tohatsu 40hp Service Manual :

using and understanding java data objects google books - Jul 30 2023

jan 1 2008 using and understanding java data objects david ezzio apress jan 1 2008 computers 456 pages java data objects jdo specifies a transparent persistence service for java objects

apress using understanding java data objects github - Dec 23 2022

this repository accompanies using and understanding java data objects by david ezzio apress 2003 download the files as a zip using the green button or clone the repository to your machine using git releases release v1 0 corresponds to the code in the published book without corrections or updates contributions

[java data objects wikipedia](#) - Oct 21 2022

java data objects jdo is a specification of java object persistence one of its features is a transparency of the persistence services to the domain model jdo persistent objects are ordinary java programming language classes there is no requirement for them to implement certain interfaces or extend from special

using and understanding java data objects flylib - Jul 18 2022

using and understanding java data objects 2005 isbn 1590590430 ean 1590590430 by ezzio d

[what is an object the java tutorials learning the java](#) - Jun 16 2022

objects are key to understanding object oriented technology look around right now and you ll find many examples of real world objects your dog your desk your television set your bicycle real world objects share two characteristics they all have state and behavior dogs have state name color breed hungry and behavior barking

using and understanding java data objects net framework - Aug 19 2022

using jdo to learn more the jdo learning tools are a small but comprehensive set of programs that you can use for several purposes you can use them as an introduction to jdo you can use them to verify what you have learned about t jdo most importantly you can use them to learn more the first five jdo learning tools are discussed in this

objects the java tutorials learning the java language - Feb 10 2022

objects a typical java program creates many objects which as you know interact by invoking methods through these object interactions a program can carry out various tasks such as implementing a gui running an animation or sending and receiving information over a network

[using and understanding java data objects ezzio david free](#) - May 28 2023

1 online resource xxix 426 pages

[using and understanding java data objects springerlink](#) - Oct 01 2023

about this book java data objects jdo specifies a transparent persistence service for java objects the specification describes a general framework for storing and retrieving the persistent state of java objects the jsr 12 expert group defined jdo using the [using and understanding java data objects amazon com](#) - Mar 26 2023

jun 6 2003 using and understanding java data objects ezzio david on amazon com free shipping on qualifying offers using and understanding java data objects

using and understanding java data objects worldcat org - Feb 22 2023

using and understanding java data objects book 2003 worldcat org reliable information about the coronavirus covid 19 is available from the world health organization current situation international travel numerous and frequently updated resource results are available from this worldcat org search

enhancement using and understanding java data objects flylib - Sep 19 2022

table of content next page enhancement adds code to the application data classes to integrate them with jdo as a result of enhancement the enhanced class implements the persistencecapable interface when jdo acts on an application data object it acts on it as a persistencecapable object

[using objects the java tutorials learning the java](#) - Mar 14 2022

object fields are accessed by their name you must use a name that is unambiguous you may use a simple name for a field within its own class for example we can add a statement within the rectangle class that prints the width and height system out println width and height are width height in this case width and height are

the query interface using and understanding java data objects - Nov 21 2022

using transient application data objects and objects of classes that are not persistence capable for parameter values is not portable across jdo implementations declaring the query's variables the query interface provides a method to declare

java data objects guide books acm digital library - Jan 24 2023

oct 1 2002 search acm digital library search search advanced search

[using and understanding java data objects guide books](#) - Jun 28 2023

jun 1 2003 using and understanding java data objects is an application programmer's guide to the java data objects jdo specification recently accepted by the java community process jdo provides a universal and transactional persistence service for objects

using and understanding java data objects flylib - May 16 2022

in order to provide persistent services for the application's data objects jdo must manage the objects within a java virtual

machine jvm jdo manages some objects and does not manage other objects if jdo manages an object it manages its persistent state or its transactional state or both

using and understanding java data objects pdf beta atanet - Apr 14 2022

2 using and understanding java data objects 2020 02 16 applications with this practical book java software engineers looking to add data science skills will take a logical journey through the data science

d ezio using and understanding java data objects springer - Apr 26 2023

managers using a persistence manager the application can control the life cycle and caching of application data objects it can get the identity object for a persistent application data object and it can later fetch the persistent object that corresponds to an identity object finally the persistence manager interface has factory methods

guide to java data objects baeldung - Aug 31 2023

mar 28 2023 the java data objects is an api designed for persisting object oriented data into any database and providing a user friendly query language using the java syntax in this article we are going to see how to use the jdo api for persisting our objects in a database

the 40 best kids christmas songs love to sing - Jan 15 2022

web 9 s a n t a this version via super simple songs a fun twist on the traditional song b i n g o 10 little snowflake this version via super simple songs a repetitive song

our favorite christmas songs for kids super simple songs - Jul 01 2023

want a copy of the coordinating adult christmas songbook head over and grab the christmas sing along songbook free printable too the page numbers line up with both songbooks see more

christmas songs for kids free printable songbook a mom s - Oct 04 2023

the christmas songs for kids songbook includes these 12 classic christmas songs 1 away in a manger 2 feliz navidad 3 frosty the snowman 4 here comes santa claus 5 i saw mommy kissing santa claus 6 jingle bells 7 jolly old saint nicholas 8 let it snow 9 rudolph the red nosed see more

50 best kids songs the whole family will love in 2023 country - Sep 10 2021

web nov 1 2022 we ve rounded up some of the best christmas music for kids with fun facts and handy youtube videos that will have you singing along in no time tis the season of

25 best christmas songs for kids of all time music grotto - Mar 17 2022

web oct 17 2023 from o christmas tree to santa shark yes you read that correctly here are 45 of the best christmas songs for kids organized into these categories best

the best simple book of christmas songs for kids paperback - Sep 22 2022

web sep 14 2023 50 best christmas songs for kids get the kids ready for santa with these fun filled christmas songs perfect for the whole family by fiona tapp updated on

christmas piano songs for kids 30 fun easy christmas - Aug 22 2022

web the best simple book of christmas songs for kids grand robert b amazon in books skip to main content in hello select your address books select the department

12 best christmas song books for kids joyfully - Sep 03 2023

here s a short snippet of the song lyrics included to conserve space here we ve just included the 1st verses of the christmas lyrics here while the expanded version of the song see more

21 best jolly christmas songs for kids to sing along splashlearn - Dec 14 2021

web sep 7 2021 5 mince pies christmas kids action song lyrics animations perfect for shows jingle bells christmas dance with easy dance moves christmas dance

christmas songs interactive children s sound book 10 button - Dec 26 2022

web the best simple book of christmas songs for kids grand robert b amazon com au books skip to main content com au delivering to sydney 1171 sign in to update

best easy christmas songs for kids with lyrics - Jul 21 2022

web nov 27 2021 christmas piano songs for kids 30 fun easy christmas songs to play on piano easy piano sheet music for kids with labeled notes free audio

the best simple book of christmas songs for kids - May 31 2023

with that all you need left is the printable just click on the link below to download or save our kids christmas sing along songbook i hope it brings you as many fun times and fond memories as it has for our family each see more

the best simple book of christmas songs for kids paperback - Jan 27 2023

web jul 11 2020 holly jolly santa songs children s christmas book with fun and festive sounds for kids 2 5 early bird song book board book july 11 2020

30 best christmas songs for kids to add to your playlist time out - Mar 29 2023

web dec 22 2017 amazon com the best simple book of christmas songs for kids 9781981857104 grand robert b books

25 merry bright christmas songs for kids with lyrics - Aug 02 2023

1 start by downloading the christmas songs for kids songbook using the link below 2 print out your booklet see the printer helps i recommend using one piece of cardstock for see more

christmas music for kids 32 of the best carols and festive - Oct 12 2021

web top 10 easy christmas songs for preschoolers whether you are a parent searching for christmas music or a teacher

preparing a christmas party this list of easy christmas

50 best christmas songs for kids parents - Oct 24 2022

web dec 22 2022 super simple songs kids songs 7 months ago get the super simple app bit ly 2w4disyenjoy singing along to some festive songs of the season in

14 christmas music books for kids playing musical instruments - Jun 19 2022

web celebrate the magic of christmas with songs your kids will adore check out our top 33 easy tunes that are sure to become holiday favorites in your household

the 45 best christmas songs for kids purewow - Apr 17 2022

web dec 5 2016 best of all all you need are your voices to have a good time best christmas songs for kids for young kids the best christmas songs are those with easy to

100 greatest christmas songs ever holiday music 2023 apple - Aug 10 2021

web oct 23 2023 jack black peaches directed by cole bennett the super mario bros movie watch on the only song with lyrics from 2023 s the super mario bros movie

easy christmas songs for kids i see me - May 19 2022

web alfred s kid s ukulele course christmas songbook 1 2 authored by ron manus and l c harnsberger alfred s kid s ukulele course christmas songbook 1 2 is designed to

10 fun christmas songs for toddlers preschoolers - Feb 13 2022

web apr 4 2023 these 25 best christmas songs for kids include 1 carol of the bells lindsey stirling carol of the bells official music video russian composer nikolai

105 best christmas riddles and brain teaser with answers 2023 - Jul 09 2021

web 2 31 i believe in father christmas emerson lake palmer 3 19 stop the cavalry jona lewie 2 56 wonderful christmas time edited version remastered 2011 edited

top 10 easy christmas songs for preschoolers singing bell - Nov 12 2021

web aug 23 2023 1 rudolf the red nosed reindeer 2 frosty the snowman 3 christmas time is here 4 i wish it could be christmas everyday 5 it s beginning to look a lot like

holly jolly santa songs children s christmas book with fun and - Feb 25 2023

web nov 3 2022 that s why we ve gone out and given you an early present by compiling the 30 best christmas songs kids and parents can listen to all december long

the best simple book of christmas songs for kids paperback - Apr 29 2023

web dec 11 2017 get the super simple app bit ly thesupersimpleapp here is a collection of our favorite christmas kids songs

including jingle bells s a n t a

super simple christmas songs kids music family holiday carols - Nov 24 2022

web sep 1 2016 amazon com christmas songs interactive children s sound book add a gift receipt for easy returns buy used 10 47 get fast free shipping with amazon

sillage integrale t13 a t15 pdf pdf bukuclone ortax - Mar 30 2022

web sillage integrale t13 a t15 pdf pages 2 17 sillage integrale t13 a t15 pdf upload arnold w murray 2 17 downloaded from bukuclone ortax org on september 4 2023 by

sillage intégrale t16 à t18 paperback amazon com be - Jul 02 2022

web sillage intégrale t16 à t18 paperback illustrated 12 oct 2016 by jean david morvan avec la contribution de philippe buchet dessins 4 9 4 9 out of 5 stars 51 ratings see

amazon com customer reviews sillage intégrale t13 à t15 - Apr 11 2023

web find helpful customer reviews and review ratings for sillage intégrale t13 à t15 at amazon com read honest and unbiased product reviews from our users

sillage intégrale t13 à t15 amazon com au - Nov 06 2022

web sillage intégrale t13 à t15 morvan j d buchet p on amazon com au free shipping on eligible orders sillage intégrale t13 à t15

sillage integrale t13 a t15 uniport edu - Feb 26 2022

web may 23 2023 sillage integrale t13 a t15 1 11 downloaded from uniport edu ng on may 23 2023 by guest sillage integrale t13 a t15 this is likewise one of the factors by

sillage intégrale t13 à t15 hardcover september 25 2013 - Dec 07 2022

web sep 25 2013 sillage intégrale t13 à t15 morvan j d buchet p on amazon com free shipping on qualifying offers sillage intégrale t13 à t15

sillage intégrale t13 a t15 hardcover 25 september 2013 - Aug 03 2022

web amazon in buy sillage intégrale t13 a t15 book online at best prices in india on amazon in read sillage intégrale t13 a t15 book reviews author details and more at

bÖlÜm 3 sayisal tÜrev ve İntegral - Dec 27 2021

web bÖlÜm 3 sayisal tÜrev ve İntegral 3 1 bilgisayarla türev 3 1 1 bölünmüş fark tablolarıyla türev 3 1 2 eşit aralıklı veri noktaları için türev

sillage integrale t13 à t15 sillage 0 ciltli kapak - Aug 15 2023

web sillage integrale t13 à t15 sillage 0 morvan j d buchet p amazon com tr kitap

[sillage integrale t13 a t15 help environment harvard edu](#) - Apr 30 2022

web [sillage integrale t13 a t15 as recognized adventure as skillfully as experience virtually lesson amusement as skillfully as harmony can be gotten by just checking out a books](#)

sillage integrale t13 a t15 uniport edu - Jan 28 2022

web mar 31 2023 [getting the books sillage integrale t13 a t15 now is not type of inspiring means you could not lonesome going behind books accrual or library or borrowing from](#)

[sillage integrale t13 a t15 amazon in](#) - Sep 04 2022

web

sillage t15 de philippe buchet jd morvan philippe buchet - Jun 13 2023

web oct 3 2012 [chasse gardée paru le 3 octobre 2012 blanchie de l attentat contre la constituante naïvis a refusé de redevenir agent lasse de la corruption qui règne aux](#)

[sillage integrale t13 à t15 hardcover amazon co uk](#) - Jul 14 2023

web [buy sillage integrale t13 à t15 by morvan j d buchet p isbn 9782756040530 from amazon s book store everyday low prices and free delivery on eligible orders](#)

sillage integrale t13 a t15 by philippe buchet jean david - Nov 25 2021

web [sillage integrale t13 a t15 by philippe buchet jean david morvan alfa bd description read download lire tlcharger read philemon et le naufrage du a pdf](#)

sillage integrale t13 à t15 morvan j d buchet p - May 12 2023

web noté 5 [retrouvez sillage integrale t13 à t15 et des millions de livres en stock sur amazon fr achetez neuf ou d occasion](#)

tureng integral türkçe İngilizce sözlük - Oct 25 2021

web [İngilizce türkçe online sözlük tureng kelime ve terimleri çevir ve farklı aksanlarda sesli dinleme integral bütünün ayrılmaz parçası olan integral integral ne demek](#)

[sillage intÉgrale t 13 À t 15 hardcover oct 24 2013](#) - Oct 05 2022

web [sillage intÉgrale t 13 À t 15 morvan jean david 9782756040530 books amazon ca](#)

sillage integrale tome 13 à tome 15 bd e leclerc - Feb 09 2023

web sep 24 2013 [après des premières relations difficiles la jeune femme rejoint sillage dont elle devient un agent spécial au service des hautes instances politiques du convoi entre](#)

9782756040530 sillage integrale t13 à t15 abebooks - Jan 08 2023

web [abebooks com sillage integrale t13 à t15 9782756040530 by morvan j d buchet p and a great selection of similar new used and collectible books](#)

morvan j d buchet p sillage integrale t13 a t15 letzshop lu - Mar 10 2023

web delcourt morvan j d buchet p sillage integrale t13 a t15 buy online now at letzshop in stock at the store in luxembourg city order online

sillage integrale t13 à t15 sillage 0 french edition - Jun 01 2022

web buy sillage integrale t13 à t15 sillage 0 french edition online in kenya and get this delivered to your address anywhere in the kenya

sillage integrale t13 a t15 pdf download only api2 igetweb - Sep 23 2021

web sillage integrale t13 a t15 pdf upload mita v williamson 2 5 downloaded from api2 igetweb com on september 5 2023 by mita v williamson andré juillard 1997 two