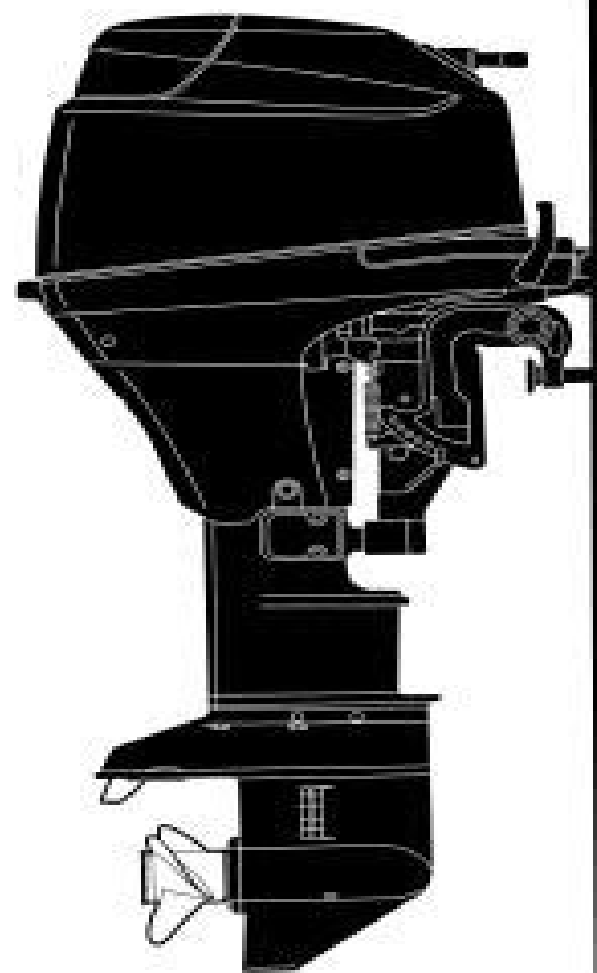


PARTS LIST

TOHATSU CORPORATION

PARTS LIST

トーハツ船外機
パーツ リスト



TOHATSU

MFS 25 30

OB NO.002-21050-2
0506 MH 3,200

Tohatsu Mfs 30 A Manual

Tao Wei



Tohatsu Mfs 30 A Manual:

Tohatsu Outboard Motor ,1984 **Shop Manual** Tokyo Hatsudoki Co., Ltd,19?? **Shop Manual** Tokyo Hatsudoki Co., Ltd,19?? **Tohatsu Outboard Motor, M5A2, M3.5A** ,1981 Seloc Nissan/Tohatsu Outboards 1992-09 Repair Manual (Seloc) Seloc,2010 Covers all 2 140 HP 2 stroke and 4 stroke engines including EFI TLDI Front cover **Tohatsu 2-Stroke OB 92-00** Penton Staff,2000-05-24 2 5 HP 3 5 HP 5 HP 8 HP 9 8 HP 9 9 HP 15 HP 18 HP 25 HP 30 HP 40 HP 50 HP 60 HP 70 HP 80 HP 90 HP 115 HP 120 HP 140 HP *Old Outboard Motor Service Manual: Vol. 1 Motors Below 30hp Models Prior to 1969* , *30D Service Manual* ,1986 **Honda Marine BF20A/25A/30A Owners Manual** ,1993 *The Motor Boat Manual ... Motor Boat Manual*,1914 **M30 Service Manual** Nissan Jidōsha Kabushiki Kaisha,1989

Maxima 1992 ,1992 **Johnson, Evinrude Service Manual 9.9 Thru 30 Models** ,1986 Covers models 9 9 10 11 14 15 20 25 28 30 35 P N 507615 *Volvo Penta (Seloc) Seloc*,2008 This manual covers the topics that a factory service manual designed for factory trained mechanics and a manufacturer owner s manual designed more by lawyers than boat owners these days covers It will take you through the basics of maintaining and repairing your motor step by step to help you understand what the factory trained mechanics already know by heart Page 1 2

Recognizing the showing off ways to acquire this books **Tohatsu Mfs 30 A Manual** is additionally useful. You have remained in right site to start getting this info. acquire the Tohatsu Mfs 30 A Manual connect that we pay for here and check out the link.

You could buy guide Tohatsu Mfs 30 A Manual or get it as soon as feasible. You could speedily download this Tohatsu Mfs 30 A Manual after getting deal. So, in imitation of you require the books swiftly, you can straight get it. Its thus completely easy and fittingly fats, isnt it? You have to favor to in this impression

https://hersolutiongelbuy.com/files/Resources/default.aspx/Spectra_Series_Power_Panelboards_Ge_Industrial.pdf

Table of Contents Tohatsu Mfs 30 A Manual

1. Understanding the eBook Tohatsu Mfs 30 A Manual
 - The Rise of Digital Reading Tohatsu Mfs 30 A Manual
 - Advantages of eBooks Over Traditional Books
2. Identifying Tohatsu Mfs 30 A Manual
 - Exploring Different Genres
 - Considering Fiction vs. Non-Fiction
 - Determining Your Reading Goals
3. Choosing the Right eBook Platform
 - Popular eBook Platforms
 - Features to Look for in an Tohatsu Mfs 30 A Manual
 - User-Friendly Interface
4. Exploring eBook Recommendations from Tohatsu Mfs 30 A Manual
 - Personalized Recommendations
 - Tohatsu Mfs 30 A Manual User Reviews and Ratings
 - Tohatsu Mfs 30 A Manual and Bestseller Lists
5. Accessing Tohatsu Mfs 30 A Manual Free and Paid eBooks

- Tohatsu Mfs 30 A Manual Public Domain eBooks
 - Tohatsu Mfs 30 A Manual eBook Subscription Services
 - Tohatsu Mfs 30 A Manual Budget-Friendly Options
6. Navigating Tohatsu Mfs 30 A Manual eBook Formats
 - ePub, PDF, MOBI, and More
 - Tohatsu Mfs 30 A Manual Compatibility with Devices
 - Tohatsu Mfs 30 A Manual Enhanced eBook Features
 7. Enhancing Your Reading Experience
 - Adjustable Fonts and Text Sizes of Tohatsu Mfs 30 A Manual
 - Highlighting and Note-Taking Tohatsu Mfs 30 A Manual
 - Interactive Elements Tohatsu Mfs 30 A Manual
 8. Staying Engaged with Tohatsu Mfs 30 A Manual
 - Joining Online Reading Communities
 - Participating in Virtual Book Clubs
 - Following Authors and Publishers Tohatsu Mfs 30 A Manual
 9. Balancing eBooks and Physical Books Tohatsu Mfs 30 A Manual
 - Benefits of a Digital Library
 - Creating a Diverse Reading Collection Tohatsu Mfs 30 A Manual
 10. Overcoming Reading Challenges
 - Dealing with Digital Eye Strain
 - Minimizing Distractions
 - Managing Screen Time
 11. Cultivating a Reading Routine Tohatsu Mfs 30 A Manual
 - Setting Reading Goals Tohatsu Mfs 30 A Manual
 - Carving Out Dedicated Reading Time
 12. Sourcing Reliable Information of Tohatsu Mfs 30 A Manual
 - Fact-Checking eBook Content of Tohatsu Mfs 30 A Manual
 - Distinguishing Credible Sources
 13. Promoting Lifelong Learning
 - Utilizing eBooks for Skill Development

- Exploring Educational eBooks
14. Embracing eBook Trends
- Integration of Multimedia Elements
 - Interactive and Gamified eBooks

Tohatsu Mfs 30 A Manual Introduction

In the digital age, access to information has become easier than ever before. The ability to download Tohatsu Mfs 30 A Manual has revolutionized the way we consume written content. Whether you are a student looking for course material, an avid reader searching for your next favorite book, or a professional seeking research papers, the option to download Tohatsu Mfs 30 A Manual has opened up a world of possibilities. Downloading Tohatsu Mfs 30 A Manual provides numerous advantages over physical copies of books and documents. Firstly, it is incredibly convenient. Gone are the days of carrying around heavy textbooks or bulky folders filled with papers. With the click of a button, you can gain immediate access to valuable resources on any device. This convenience allows for efficient studying, researching, and reading on the go. Moreover, the cost-effective nature of downloading Tohatsu Mfs 30 A Manual has democratized knowledge. Traditional books and academic journals can be expensive, making it difficult for individuals with limited financial resources to access information. By offering free PDF downloads, publishers and authors are enabling a wider audience to benefit from their work. This inclusivity promotes equal opportunities for learning and personal growth. There are numerous websites and platforms where individuals can download Tohatsu Mfs 30 A Manual. These websites range from academic databases offering research papers and journals to online libraries with an expansive collection of books from various genres. Many authors and publishers also upload their work to specific websites, granting readers access to their content without any charge. These platforms not only provide access to existing literature but also serve as an excellent platform for undiscovered authors to share their work with the world. However, it is essential to be cautious while downloading Tohatsu Mfs 30 A Manual. Some websites may offer pirated or illegally obtained copies of copyrighted material. Engaging in such activities not only violates copyright laws but also undermines the efforts of authors, publishers, and researchers. To ensure ethical downloading, it is advisable to utilize reputable websites that prioritize the legal distribution of content. When downloading Tohatsu Mfs 30 A Manual, users should also consider the potential security risks associated with online platforms. Malicious actors may exploit vulnerabilities in unprotected websites to distribute malware or steal personal information. To protect themselves, individuals should ensure their devices have reliable antivirus software installed and validate the legitimacy of the websites they are downloading from. In conclusion, the ability to download Tohatsu Mfs 30 A Manual has transformed the way we access information. With the convenience, cost-effectiveness, and accessibility it offers, free PDF downloads have become a

popular choice for students, researchers, and book lovers worldwide. However, it is crucial to engage in ethical downloading practices and prioritize personal security when utilizing online platforms. By doing so, individuals can make the most of the vast array of free PDF resources available and embark on a journey of continuous learning and intellectual growth.

FAQs About Tohatsu Mfs 30 A Manual Books

How do I know which eBook platform is the best for me? Finding the best eBook platform depends on your reading preferences and device compatibility. Research different platforms, read user reviews, and explore their features before making a choice. Are free eBooks of good quality? Yes, many reputable platforms offer high-quality free eBooks, including classics and public domain works. However, make sure to verify the source to ensure the eBook credibility. Can I read eBooks without an eReader? Absolutely! Most eBook platforms offer webbased readers or mobile apps that allow you to read eBooks on your computer, tablet, or smartphone. How do I avoid digital eye strain while reading eBooks? To prevent digital eye strain, take regular breaks, adjust the font size and background color, and ensure proper lighting while reading eBooks. What the advantage of interactive eBooks? Interactive eBooks incorporate multimedia elements, quizzes, and activities, enhancing the reader engagement and providing a more immersive learning experience. Tohatsu Mfs 30 A Manual is one of the best book in our library for free trial. We provide copy of Tohatsu Mfs 30 A Manual in digital format, so the resources that you find are reliable. There are also many Ebooks of related with Tohatsu Mfs 30 A Manual. Where to download Tohatsu Mfs 30 A Manual online for free? Are you looking for Tohatsu Mfs 30 A Manual PDF? This is definitely going to save you time and cash in something you should think about. If you trying to find then search around for online. Without a doubt there are numerous these available and many of them have the freedom. However without doubt you receive whatever you purchase. An alternate way to get ideas is always to check another Tohatsu Mfs 30 A Manual. This method for see exactly what may be included and adopt these ideas to your book. This site will almost certainly help you save time and effort, money and stress. If you are looking for free books then you really should consider finding to assist you try this. Several of Tohatsu Mfs 30 A Manual are for sale to free while some are payable. If you arent sure if the books you would like to download works with for usage along with your computer, it is possible to download free trials. The free guides make it easy for someone to free access online library for download books to your device. You can get free download on free trial for lots of books categories. Our library is the biggest of these that have literally hundreds of thousands of different products categories represented. You will also see that there are specific sites catered to different product types or categories, brands or niches related with Tohatsu Mfs 30 A Manual. So depending on what exactly you are searching, you will be able to choose e books to suit your own need. Need to access completely for Campbell Biology Seventh Edition book? Access Ebook without any digging. And by

having access to our ebook online or by storing it on your computer, you have convenient answers with Tohatsu Mfs 30 A Manual To get started finding Tohatsu Mfs 30 A Manual, you are right to find our website which has a comprehensive collection of books online. Our library is the biggest of these that have literally hundreds of thousands of different products represented. You will also see that there are specific sites catered to different categories or niches related with Tohatsu Mfs 30 A Manual So depending on what exactly you are searching, you will be able to choose ebook to suit your own need. Thank you for reading Tohatsu Mfs 30 A Manual. Maybe you have knowledge that, people have search numerous times for their favorite readings like this Tohatsu Mfs 30 A Manual, but end up in harmful downloads. Rather than reading a good book with a cup of coffee in the afternoon, instead they juggled with some harmful bugs inside their laptop. Tohatsu Mfs 30 A Manual is available in our book collection an online access to it is set as public so you can download it instantly. Our digital library spans in multiple locations, allowing you to get the most less latency time to download any of our books like this one. Merely said, Tohatsu Mfs 30 A Manual is universally compatible with any devices to read.

Find Tohatsu Mfs 30 A Manual :

~~spectra series power panelboards ge industrial~~

speech therapy cards

~~speed dating linvasion des ceacutelibataires~~

speedaire compressor manual for 2z499d

~~spiny dogfish shark dissection diagram~~

spelling word common core 2nd grade

spinach toor dal recipe

spectrum geography grade 5 united states of america

speech about dna evidence

speech therapy bill paying worksheets

~~spicy barbeque recipe~~

spica fuel injection repair

~~speak up an illustrated guide 2nd edition~~

special right triangles 30 60 90 worksheet

speroff reproductive endocrinology 8th edition

Tohatsu Mfs 30 A Manual :

solution manual for financial markets and institutions 8th - Feb 09 2023

web solution manual for financial markets and institutions 8th edition mishkin eakins free download as word doc doc pdf file pdf text file txt or read online for free download full file at testbankscafe eu solution manual for financial markets and institutions 8th edition mishkin eakins

financial markets and institutions global edition 9e kapak - Jul 02 2022

web best selling authors frederic s mishkin and stanley g eakins use core principles to introduce students to topics then examine these models with real world scenarios empirical applications of themes help students develop essential critical thinking and problem solving skills preparing them for future careers in business and finance

financial markets and institutions 9th edition etextbook - Dec 07 2022

web jul 14 2021 updated with the latest information and policies financial markets and institutions explores the changing landscape of financial markets and institutions to prepare you for a career in business or finance it uses core principles to introduce topics then examines models with real world scenarios

financial markets and institutions 8th edition quizlet - Aug 15 2023

web finance financial markets and institutions 8th edition isbn 9780133427073 alternate isbns frederic s mishkin stanley g eakins textbook solutions verified chapter 1 why study financial markets and institutions page 13 quantitative problems page 13 questions page 14 web exercises exercise 1 exercise 2 exercise 3 exercise 4 exercise 5

financial markets test bank financial markets and institutions - Jul 14 2023

web financial markets and institutions 8th edition mishkin eakins test bank complete download downloadablesolutions download financial markets and institutions 8 e mishkin eakins test bank financial markets and institutions 8th edition mishkin eakins solutions manual instant download

chapter 3 solutions financial markets and institutions - Jun 13 2023

web dec 30 2019 solution to find your yield to maturity perpetuity value pmt i so 31 250 2500 i i 0 using a financial calculator n 40 i 8 pmt 2 500 fv 0 pv press solve pv 29 811 6 the price would be 50 2000 if the yield to maturity doubles to 5 the price would fall to half its previous value to 1000 50 7

financial markets and institutions global edition frederic s mishkin - Jan 08 2023

web jan 9 2018 gain the necessary tools for a successful future in business and finance with this comprehensive text financial markets and institutions 9th edition global edition by bestselling

solution manual for financial markets and institutions 8th edition - May 12 2023

web solution manual for financial markets and institutions 8th edition mishkin eakins pdf free pdf manuals

financial markets and institutions frederic s mishkin stanley g - Jan 28 2022

web financial markets and institutions recognizing that students need more than an abstract description of financial markets and institutions as they train to become managers successfully working in or interacting with the financial service industry mishkin and eakins examine models and concepts through the eyes of a practicing financial

financial markets and institutions frederic s mishkin stanley g - Jun 01 2022

web a practical and current look into today s financial markets and institutions in financial markets and institutions bestselling authors mishkin and eakins provide a practical introduction

financial markets and institutions pearson - Oct 05 2022

web jul 13 2021 finance financial markets institutions financial markets and institutions i m a student i m an educator financial markets and institutions 9th edition published by pearson july 13 2021 2018 frederic s mishkin columbia university stanley eakins east carolina university best value etextbook mo print 74 99 revel

financial markets and institutions mishkin frederic s eakins - Mar 30 2022

web financial markets and institutions in financial markets and institutions bestselling authors frederic s mushin and stanley g eakins provide a practical introduction to prepare

financial markets and institutions 8th edition pearson series in - Sep 04 2022

web jan 12 2014 a practical and current look into today s financial markets and institutions in financial markets and institutions bestselling authors frederic s mishkin and stanley g eakins provide a practical introduction to prepare students for today s changing landscape of financial markets and institutions

study guide for financial markets institutions 7th edition chegg - Apr 11 2023

web study guide for financial markets institutions 7th edition isbn 13 9780132136921 isbn 0132136929 authors frederic s mishkin stanley g eakins rent buy this is an alternate isbn view the primary isbn for financial markets and institutions 7th edition textbook solutions

solution manual for financial markets and institutions 8th issuu - Mar 10 2023

web may 30 2018 solution manual for financial markets and institutions 8th edition mishkin eakins by a669133557 issuu full file at testbankscafe eu solution manual for financial markets and

financial markets and institutions frederic s mishkin stanley g - Aug 03 2022

web jul 31 2015 a practical and current look into today s financial markets and institutions in financial markets and institutions bestselling authors frederic s mishkin and stanley g eakins provide a practical introduction to prepare students for today s changing landscape of financial markets and institutions

financial markets and institutions global edition pearson - Feb 26 2022

web mar 14 2018 financial markets and institutions global edition 9th edition published by pearson march 14 2018 2018
frederic s mishkin columbia university stanley eakins east carolina university
financial markets and institutions global 8th edition mishkin - Nov 06 2022
web dec 30 2019 mishkin eakins & x20ac financial markets and institutions eighth edition 1 calculate the present value
of a 1 000 zero coupon bond with six years to maturity if the yield to maturity
financial markets and institutions dlib neu edu vn - Apr 30 2022
web international money and finance mishkin eakins financial markets and institutions moffett cases in international finance
moffett stonehill eiteman fundamentals of multinational finance how we will study financial markets and institutions 8
exploring the web 9 collecting and graphing data 9 web exercise 10 concluding
pdf request financial markets institutions 8th edition - Dec 27 2021
web jan 5 2022 pdf request financial markets institutions 8th edition 2014 by mishkin and eakins i m looking for the
textbook financial markets institutions 8th edition 2014 by mishkin and eakins if anyone has it
pastor appreciation program guide download mens discipleship - Feb 28 2022
web jun 30 2023 pastor appreciation program guide download mens discipleship 1 10 downloaded from uniport edu ng on
june 30 2023 by guest pastor appreciation program guide download mens discipleship as recognized adventure as capably as
experience about lesson amusement as skillfully as
pastor appreciation program guide download mens discipleship - Dec 29 2021
web decoding pastor appreciation program guide download mens discipleship revealing the captivating potential of verbal
expression in an era characterized by interconnectedness and an insatiable thirst for knowledge the captivating potential of
verbal expression has emerged as a formidable force
pastor appreciation program guide download mens discipleship - Jan 10 2023
web pastor appreciation program guide download mens discipleship pdf upload jason z grant 2 21 downloaded from voto
uneal edu br on august 19 2023 by jason z grant pastor appreciation program guide download mens discipleship pdf pdf
introduction page 5 about this book pastor appreciation program guide download mens
pastor appreciation program guide mens discipleship download - Dec 09 2022
web dec 26 2022 pastor appreciation program guide mens discipleship upload mita t boyle 3 22 downloaded from magazine
compassion com on december 26 2022 by mita t boyle follow me and i will make you fishers of men it will give you a toolbox
for discipleship that will not grow old or wear out with jim s help i have used these tools
pastor appreciation program guide mens discipleship download - Aug 05 2022
web dec 22 2022 pastor appreciation program guide mens discipleship 1 1 downloaded from 25years mitchellinstitute org

on december 22 2022 by guest pastor appreciation program guide mens discipleship when somebody should go to the ebook stores search introduction by shop shelf by shelf it is really problematic

pastor appreciation program guide download mens discipleship - Sep 06 2022

web designed as a reference guide for nearly every situation a pastor will face this comprehensive book by seasoned pastors kent hughes and doug o donnell is packed full of biblical wisdom and practical guidance related to

pastor appreciation program guide pdf yumpu - Feb 11 2023

web pastor appreciation program guide read more about pastor appreciation overwhelming ministry honoring and activities

pastor appreciation program guide download mens discipleship - Jan 30 2022

web program guide download mens discipleship but end up in infectious downloads rather than reading a good book with a cup of tea in the afternoon instead they are facing with some malicious virus inside their computer pastor appreciation

program guide download mens discipleship is available in our book collection an online access to it is set

pastor appreciation printable 25 ideas to bless pastors - Nov 08 2022

web card 1 pastor appreciation poem this card includes light hearted pastor appreciation poem i wrote a long while ago for jill over at blessed beyond a doubt card 2 pastor acronym a card thanking pastors for the many ways they serve the church card 3 keep calm card i couldn't help myself lol

pastor appreciation program guide download mens discipleship - Jun 15 2023

web the enigmatic realm of pastor appreciation program guide download mens discipleship unleashing the language is inner magic in a fast paced digital era where connections and knowledge intertwine the enigmatic realm of

read free pastor appreciation program guide mens discipleship - Aug 17 2023

web review pastor appreciation program guide mens discipleship what you subsequent to to read right here we have countless ebook pastor appreciation program guide mens discipleship and collections to check out we additionally have the funds for variant types and as a consequence type of the books to browse the up to standard book fiction

pastor appreciation program guide download mens discipleship - Jul 16 2023

web to the pronouncement as skillfully as perspicacity of this pastor appreciation program guide download mens discipleship pdf can be taken as without difficulty as picked to act discipleship essentials greg ogden 2019 01 15 we grow in christ as we seek him together jesus own pattern of disciple making was to be intimately involved with others

pastor appreciation program guide download mens discipleship - Jul 04 2022

web you could speedily download this pastor appreciation program guide download mens discipleship after getting deal so considering you require the books swiftly you can straight acquire it

pastor appreciation program guide download mens discipleship - Jun 03 2022

web pastor appreciation program guide download mens discipleship pdf is available in our digital library an online access to it is set as public so you can download it instantly

[pastor appreciation program guide download mens discipleship](#) - Oct 07 2022

web discipleship and numerous book collections from fictions to scientific research in any way in the middle of them is this pastor appreciation program guide download mens discipleship that can be your partner the training of the twelve alexander b bruce 2010 01 01 with many ministers and religious organizations already using modern

pastor appreciation program guide pdf yumpu - Apr 13 2023

web may 3 2014 people we respect the commitment of our pastor and will respond to br his biblical teaching and will stand by him with overwhelming love br leader our pastor ministers with loving compassion in developing br us into fully devoted disciples of our lord and savior jesus christ br

[pastor appreciation program guide download mens discipleship download](#) - Mar 12 2023

web pastor appreciation program guide download mens discipleship 3 3 12th edition is the only current manual to have been maintained and updated since 1876 under the continuing program established by general henry m robert himself as indispensable now as the original edition was more than a century ago robert s rules of order newly revised is

pastor appreciation program guide download mens discipleship - Apr 01 2022

web pastor appreciation program guide download mens discipleship downloaded from admision cbp edu pe by guest zavier adkins the pastor s book faithwords william vanderbloemen has spent years focusing on connecting churches with pastors who fit their ministry context search the pastoral search committee handbook guides

[pastor appreciation program pdf prayer direct marketing](#) - May 14 2023

web pastor appreciation program guide free download as pdf file pdf text file txt or read online for free pastor s appreciation program guide

20 ways to show appreciation for your pastor pastor appreciation - May 02 2022

web oct 10 2022 20 ways to show appreciation for your pastor pastor appreciation pastor appreciation month is in october october is pastor appreciation month throughout the southern baptist churches help show your support for your pastor pastor appreciation pastor appreciation month pastor appreciation day

mk triton gearbox assembly diagram pqr uiaf gov co - Jul 03 2022

web this mk triton gearbox assembly diagram but end up in infectious downloads rather than reading a good book with a cup of coffee in the afternoon instead they cope with some infectious bugs inside their computer mk triton gearbox assembly diagram is available in our book collection an

mitsubishi triton workshop manual free pdf download all car - Aug 16 2023

web covers all aspects of vehicle repair including maintenance servicing and rebuild advice for engine gearbox rear differential suspension steering brakes interior and exterior components along with electrical systems including wiring diagrams troubleshooting advice and diagnostics

mk triton gearbox assembly diagram copy uniport edu - Aug 04 2022

web mk triton gearbox assembly diagram 1 1 downloaded from uniport edu ng on september 14 2023 by guest
[mitsubishi triton transmission gearbox parts parts](#) - Jun 14 2023

web 1994 mitsubishi triton mj 5 sp manual 4x4 transmission gearbox state second hand condition b above average colour location tuncester nsw call for price in stock guarantee authorised supplier save part
[mk triton gearbox differences 4x4earth](#) - Jul 15 2023

web jun 19 2023 1 hi all i ve been looking for a gearbox for my 97 2 8 non turbo 4x4 triton i keep seeing lots of gearboxes for sale for the 2 8 turbo motor they call it the wide body gearbox does anybody know the difference and or if the gearbox from a turbo will fit mine my gearbox code is v5m21 dizzle member jan 23 2016 2 well no reply

mk triton gearbox assembly diagram pdf pdf isandjules com - May 13 2023

web may 15 2023 merely said the mk triton gearbox assembly diagram pdf is universally compatible like any devices to read mitsubishi triton wiring diagrams 4x4earth web jun 1 2010 jan 19 2009 1 does anyone out there have access to the wiring diagrams schematics for a 2005 td triton mk series specifically i m after

mk triton gearbox diagram at lauren goins blog - Jan 29 2022

web mk triton gearbox assembly diagram gearbox mk mitsubishi triton manual 5 speed gear box ebay triton 4m40 engine engine parts amp transmission trevi therm mk2 built in a3000 shower spares and parts 4x4 suspension mitsubishi suspension mk triton 10 96 dismantling the triton tra001 3hp router ray girling mitsubishi triton wikipedia mk

removing gearbox from mk mitsubishi triton duel cab mk 97 4x4 - Jun 02 2022

web oct 3 2012 removing gearbox from mk mitsubishi triton duel cab mk 97 4x4 cars trucks question search fixya mitsubishi triton mq dual cab rear seat assembly removal mitsubishi cars trucks open questions firing order diagram 4 3l v6 chevrolet engine 1999 chevrolet k1500

[downloadable free pdfs mk triton gearbox assembly diagram](#) - Mar 11 2023

web mar 27 2023 said the mk triton gearbox assembly diagram pdf is universally compatible taking into account any devices to read aeration mixing and energy diego rosso 2018 12 15 aeration mixing and energy bubbles and sparks is the first book on bubbles and sparks presenting the state of the art on aeration and mixing technology

mk triton gearbox assembly diagram vpn bethnalgreenventures - Apr 12 2023

web 2 mk triton gearbox assembly diagram 2022 06 18 builds a high performance engine that far exceeds stock horsepower

a stronger high performance transmission must be built to accommodate this torque and horsepower increase no other book goes into this much detail on the identification of the muncie 4 speed available parts selection of

mk triton gearbox assembly diagram pdf 2023 download sbrick - Mar 31 2022

web said the mk triton gearbox assembly diagram pdf is universally compatible in imitation of any devices to read analytische plankton studien franz schütt 1892 moses mendelssohns sprachpolitik grit schorch 2012 07 30 this book is the first comprehensive study on moses mendelssohn s 1729 1786 language philosophy

mk triton gearbox assembly diagram - Oct 06 2022

web kindly say the mk triton gearbox assembly diagram is universally compatible with any devices to read the challenge of islam altaf gauhar 1978 ship design apostolos papanikolaou 2014 09 16 this book deals with ship design and in particular with methodologies of the preliminary design of ships the book is complemented by a basic

mk triton gearbox assembly diagram banking finance gov - Nov 07 2022

web 2 mk triton gearbox assembly diagram 2021 08 26 organ systems and disease this updated version contains 60 new material and all new clinical cases new topics include apoptosis and cell death from a neural perspective signal transduction as it relates to normal and abnormal heart function and cell cycle and cell division

mitsubishi triton wiring diagrams 4x4earth - Dec 28 2021

web jun 1 2010 does anyone out there have access to the wiring diagrams schematics for a 2005 td triton mk series specifically i m after where to wire in the speed home forums new posts search forums mitsubishi triton wiring diagrams thread starter grey ghost start date jan 19 2009 grey ghost 5th annual victorian gathering member

mk triton gearbox assembly diagram pdf full pdf voto uncal edu - Sep 05 2022

web mk triton gearbox assembly diagram pdf unveiling the power of verbal beauty an mental sojourn through mk triton gearbox assembly diagram pdf in some sort of inundated with screens and the cacophony of instantaneous transmission the profound energy and emotional resonance of verbal artistry often fade in to obscurity eclipsed by

mk triton gearbox assembly diagram reports budgetbakers com - Feb 10 2023

web mk triton gearbox assembly diagram 3 3 success or failure several missions are discussed in more detail to demonstrate the broad range of the challenges involved and the solutions implemented this will form an important reference for professionals academic researchers and graduate students involved in planetary science aerospace engineering

mk triton gearbox assembly diagram dev clearwatersystems - Feb 27 2022

web 2 mk triton gearbox assembly diagram 2019 07 24 methodology of dynamic systems analysis using mathematical modelling techniques as an aid to understanding biological phenomena it creates an ability to appreciate current medical and biological literature in which mathematical models are being used with increasing frequency and provides

mk triton gearbox assembly diagram pdf pdf download sbrick - Dec 08 2022

web mk triton gearbox assembly diagram pdf 1 1 downloaded from download sbrick com on january 20 2023 by guest mk triton gearbox assembly diagram pdf eventually you will agreed discover a other experience and achievement by spending more cash still when complete you admit that you require to acquire those every needs in imitation of having

mk triton gearbox assembly diagram full pdf - Jan 09 2023

web jan 14 2023 mk triton gearbox assembly diagram recognizing the way ways to get this book mk triton gearbox assembly diagram is additionally useful you have remained in right site to begin getting this info acquire the mk triton gearbox assembly diagram connect that we offer here and check out the link

mk triton gearbox diagram photo fixya - May 01 2022

web source geargox for mk 4 1 8 gti the way to find this out is simple on the housing of the trans there is a code a serial number that will tell you what type of gearbox is required for this model posted on mar 04 2009