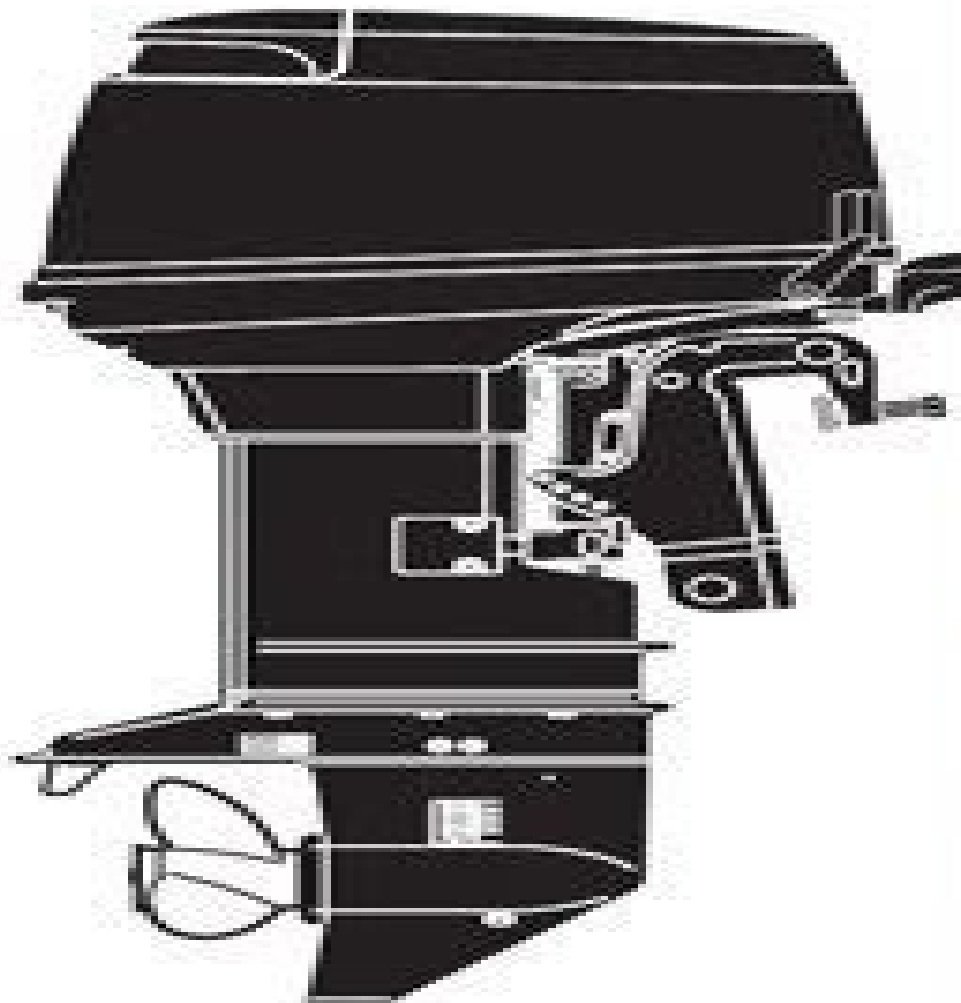


SERVICE MANUAL

 **TOHATSU**
Outboards



TOHATSU

MD 30B2 40/50B2 Models

OB No. 003-21050-3
13-10 MB

Tohatsu Service Manual 40

Liyong Dong



Tohatsu Service Manual 40:

Embark on a transformative journey with Written by is captivating work, Grab Your Copy of **Tohatsu Service Manual 40** . This enlightening ebook, available for download in a convenient PDF format , invites you to explore a world of boundless knowledge. Unleash your intellectual curiosity and discover the power of words as you dive into this riveting creation. Download now and elevate your reading experience to new heights .

<https://hersolutiongelbuy.com/files/detail/HomePages/roi%20tu%20par%20cochon%20origines.pdf>

Table of Contents Tohatsu Service Manual 40

1. Understanding the eBook Tohatsu Service Manual 40
 - The Rise of Digital Reading Tohatsu Service Manual 40
 - Advantages of eBooks Over Traditional Books
2. Identifying Tohatsu Service Manual 40
 - Exploring Different Genres
 - Considering Fiction vs. Non-Fiction
 - Determining Your Reading Goals
3. Choosing the Right eBook Platform
 - Popular eBook Platforms
 - Features to Look for in an Tohatsu Service Manual 40
 - User-Friendly Interface
4. Exploring eBook Recommendations from Tohatsu Service Manual 40
 - Personalized Recommendations
 - Tohatsu Service Manual 40 User Reviews and Ratings
 - Tohatsu Service Manual 40 and Bestseller Lists
5. Accessing Tohatsu Service Manual 40 Free and Paid eBooks
 - Tohatsu Service Manual 40 Public Domain eBooks
 - Tohatsu Service Manual 40 eBook Subscription Services
 - Tohatsu Service Manual 40 Budget-Friendly Options

6. Navigating Tohatsu Service Manual 40 eBook Formats
 - ePub, PDF, MOBI, and More
 - Tohatsu Service Manual 40 Compatibility with Devices
 - Tohatsu Service Manual 40 Enhanced eBook Features
7. Enhancing Your Reading Experience
 - Adjustable Fonts and Text Sizes of Tohatsu Service Manual 40
 - Highlighting and Note-Taking Tohatsu Service Manual 40
 - Interactive Elements Tohatsu Service Manual 40
8. Staying Engaged with Tohatsu Service Manual 40
 - Joining Online Reading Communities
 - Participating in Virtual Book Clubs
 - Following Authors and Publishers Tohatsu Service Manual 40
9. Balancing eBooks and Physical Books Tohatsu Service Manual 40
 - Benefits of a Digital Library
 - Creating a Diverse Reading Collection Tohatsu Service Manual 40
10. Overcoming Reading Challenges
 - Dealing with Digital Eye Strain
 - Minimizing Distractions
 - Managing Screen Time
11. Cultivating a Reading Routine Tohatsu Service Manual 40
 - Setting Reading Goals Tohatsu Service Manual 40
 - Carving Out Dedicated Reading Time
12. Sourcing Reliable Information of Tohatsu Service Manual 40
 - Fact-Checking eBook Content of Tohatsu Service Manual 40
 - Distinguishing Credible Sources
13. Promoting Lifelong Learning
 - Utilizing eBooks for Skill Development
 - Exploring Educational eBooks
14. Embracing eBook Trends
 - Integration of Multimedia Elements

- Interactive and Gamified eBooks

Tohatsu Service Manual 40 Introduction

Tohatsu Service Manual 40 Offers over 60,000 free eBooks, including many classics that are in the public domain. Open Library: Provides access to over 1 million free eBooks, including classic literature and contemporary works. Tohatsu Service Manual 40 Offers a vast collection of books, some of which are available for free as PDF downloads, particularly older books in the public domain. Tohatsu Service Manual 40 : This website hosts a vast collection of scientific articles, books, and textbooks. While it operates in a legal gray area due to copyright issues, its a popular resource for finding various publications. Internet Archive for Tohatsu Service Manual 40 : Has an extensive collection of digital content, including books, articles, videos, and more. It has a massive library of free downloadable books. Free-eBooks Tohatsu Service Manual 40 Offers a diverse range of free eBooks across various genres. Tohatsu Service Manual 40 Focuses mainly on educational books, textbooks, and business books. It offers free PDF downloads for educational purposes. Tohatsu Service Manual 40 Provides a large selection of free eBooks in different genres, which are available for download in various formats, including PDF. Finding specific Tohatsu Service Manual 40, especially related to Tohatsu Service Manual 40, might be challenging as theyre often artistic creations rather than practical blueprints. However, you can explore the following steps to search for or create your own Online Searches: Look for websites, forums, or blogs dedicated to Tohatsu Service Manual 40, Sometimes enthusiasts share their designs or concepts in PDF format. Books and Magazines Some Tohatsu Service Manual 40 books or magazines might include. Look for these in online stores or libraries. Remember that while Tohatsu Service Manual 40, sharing copyrighted material without permission is not legal. Always ensure youre either creating your own or obtaining them from legitimate sources that allow sharing and downloading. Library Check if your local library offers eBook lending services. Many libraries have digital catalogs where you can borrow Tohatsu Service Manual 40 eBooks for free, including popular titles. Online Retailers: Websites like Amazon, Google Books, or Apple Books often sell eBooks. Sometimes, authors or publishers offer promotions or free periods for certain books. Authors Website Occasionally, authors provide excerpts or short stories for free on their websites. While this might not be the Tohatsu Service Manual 40 full book , it can give you a taste of the authors writing style. Subscription Services Platforms like Kindle Unlimited or Scribd offer subscription-based access to a wide range of Tohatsu Service Manual 40 eBooks, including some popular titles.

FAQs About Tohatsu Service Manual 40 Books

How do I know which eBook platform is the best for me? Finding the best eBook platform depends on your reading

preferences and device compatibility. Research different platforms, read user reviews, and explore their features before making a choice. Are free eBooks of good quality? Yes, many reputable platforms offer high-quality free eBooks, including classics and public domain works. However, make sure to verify the source to ensure the eBook credibility. Can I read eBooks without an eReader? Absolutely! Most eBook platforms offer web-based readers or mobile apps that allow you to read eBooks on your computer, tablet, or smartphone. How do I avoid digital eye strain while reading eBooks? To prevent digital eye strain, take regular breaks, adjust the font size and background color, and ensure proper lighting while reading eBooks. What the advantage of interactive eBooks? Interactive eBooks incorporate multimedia elements, quizzes, and activities, enhancing the reader engagement and providing a more immersive learning experience. Tohatsu Service Manual 40 is one of the best book in our library for free trial. We provide copy of Tohatsu Service Manual 40 in digital format, so the resources that you find are reliable. There are also many Ebooks of related with Tohatsu Service Manual 40. Where to download Tohatsu Service Manual 40 online for free? Are you looking for Tohatsu Service Manual 40 PDF? This is definitely going to save you time and cash in something you should think about.

Find Tohatsu Service Manual 40 :

roi tu par cochon origines

[romance three kingdoms manual](#)

[roberts dreamtime manual](#)

robertshaw p341 receiver controller manual

robin eh12 2 eh17 2 and eh25 2 technician service manual

roger morneau beware of angel

[rodeo fan diagram](#)

rockshox boxxer r2ctuning guide

[romeo and juliet comprehension questions 2013](#)

robo sex game guide walkthrough

[robin engine repair manual](#)

robinson crusoe modernized edition

[roll soft sugar cookies recipe](#)

robuschi rbs 15 25 repair manual

roman civilization vocabulary builder activity answers

Tohatsu Service Manual 40 :**toni innauer am puls des erfolgs youtube** - Oct 04 2022

web mar 13 2010 toni innauer liest zu wunderbaren bildern von der bergiselschanze das vorwort zu seinem neuen buch am puls des erfolgs mehr auf toni innauer at

bücher toni innauer - Mar 09 2023

web buchbe schreibung am puls des erfolgs in seinem zweiten buch am puls des erfolgs gewährt toni innauer tiefe einblicke in sein leben als spitzensportler

am puls des erfolgs by toni innauer - Dec 26 2021

web am puls des erfolgs by toni innauer toni innauer am puls des erfolgs christian seiler verlag am puls dezember 2016 der neue us präsident by hypo am puls des erfolgs

toni innauer am puls des erfolgs abebooks - Mar 29 2022

web abebooks com toni innauer am puls des erfolgs 368 seiten 15x21 5 cm pappband csv verlag deutschland 2010 in seiner biographie am puls des erfolgs gewährt die

am puls fernsehserien de - Sep 22 2021

web sep 6 2016 am puls fernsehserien de am puls d 2016 dokumentation reportage bisher 19 folgen deutsche tv premiere 06 09 2016 spiegel tv wissen die

am puls des erfolgs innauer toni 9783950286809 boeken - Feb 08 2023

web am puls des erfolgs hardcover ga naar zoeken ga naar hoofdinhoud lekker winkelen zonder zorgen gratis verzending vanaf 20 bezorging dezelfde dag s avonds of in het

am puls des lebens englisch Übersetzung linguae wörterbuch - Sep 03 2022

web kein anderes verkehrsmittel ist während 24 stunden unterwegs und dadurch i mmer am puls des urbanen lebens alpha taxi ch alpha taxi ch no other means of transpor t

am puls des erfolgs e kitap martin spilker pdf d r - Jul 13 2023

web bir martin spilker eseri olan am puls des erfolgs e kitap olarak en cazip fiyat ile d r de keşfetmek için hemen tıklayınız

am puls des erfolgs by martin spilker overdrive - Feb 25 2022

web sep 12 2016 inhalt unternehmenswerte als fundament der unternehmensstrategie werte und professionalität als voraussetzung wirksamer führung wirkungsvolle

emil puls wikipedia - Nov 24 2021

web emil puls wurde als sohn des zigarrendrehers piependreihers johannes puls im damals noch selbständigen ottensen geboren er absolvierte eine ausbildung als

am puls des erfolgs thalia at - Jun 12 2023

web am puls des erfolgs ist das zweite buch des skisprung olympiasiegers erfolgtrainers und sportphilosophen toni innauer nach dem bestseller der kritische punkt 1992 in

am puls des erfolgs martin spilker e book legimi online - Apr 29 2022

web profitieren sie von den langjährigen erfahrungen der experten des quot kompetenzzentrum für führung und unternehmenskultur quot der bertelsmann

am puls des patienten auf erfolgskurs mit gesunder - Jan 27 2022

web 5 0 von 5 sternern am puls des patienten kundenrezension aus deutschland am 22 november 2016 das derzeitige system lässt patienten im alltag allein tablet und

9783905800999 am puls des erfolgs toni innauer gesucht - Dec 06 2022

web am puls des erfolgs finden sie alle bücher von toni innauer bei der büchersuchmaschine eurobuch com können sie antiquarische und neubücher

am puls des erfolgs gebundene ausgabe 1 januar 2010 - May 11 2023

web am puls des erfolgs ist das zweite buch des skisprung olympiasiegers erfolgtrainers und sportphilosophen toni innauer nach dem bestseller der kritische punkt 1992 in

am puls des erfolgs facebook - Oct 24 2021

web am puls des erfolgs facebook

am puls des erfolgs fnac - May 31 2022

web 10 gebote für eine wertvolle unternehmenskultur am puls des erfolgs martin spilker haufe des milliers de livres avec la livraison chez vous en 1 jour ou en magasin avec

am puls des erfolgs gebundene ausgabe 15 märz 2010 - Aug 14 2023

web märz 2010 am puls des erfolgs ist das zweite buch des skisprung olympiasiegers erfolgtrainers und sportphilosophen toni innauer nach dem bestseller der kritische punkt 1992 in großer offenheit berichtet innauer über sein leben im spitzensport und gibt

9783950286809 am puls des erfolgs 3950286802 abebooks - Nov 05 2022

web abebooks com am puls des erfolgs 9783950286809 and a great selection of similar new used and collectible books available now at great prices 9783950286809 am

9783950286809 am puls des erfolgs toni innauer richtig - Jan 07 2023

web am puls des erfolgs finden sie alle bücher von toni innauer bei der büchersuchmaschine eurobuch com können sie antiquarische und neubücher

am puls des erfolgs 10 gebote für eine wertvolle - Aug 02 2022

web am puls des erfolgs 10 gebote für eine wertvolle unternehmenskultur haufe fachbuch 10183 german edition kindle edition by spilker martin download it once and read it

am puls des erfolgs innauer toni amazon com tr kitap - Apr 10 2023

web am puls des erfolgs innauer toni amazon com tr kitap Çerez tercihlerinizi seçin Çerez bildirimimizde detaylandırıldığı üzere satın alım yapmanızı sağlamak alışveriş

am puls des erfolgs 9783950286809 amazon com au books - Jul 01 2022

web am puls des erfolgs on amazon com au free shipping on eligible orders am puls des erfolgs

ignore the guy get the guy the art of no contact z library - May 17 2023

web feb 16 2013 ignore the guy get the guy the art of no contact a woman s survival guide to mastering a breakup and taking back her power 5 0 5 0 0 comments categories self help relationships breakups year 2013 edition 2 16 13 publisher leslie braswell language english pages 115 isbn 10 0615790852 isbn 13

ignore the guy get the guy by leslie braswell audible com - Feb 14 2023

web ignore the guy get the guy as it s meant to be heard narrated by brittany goodwin discover the english audiobook at audible free trial available

ignore the guy get the guy quotes by leslie braswell goodreads - Aug 20 2023

web ignore the guy get the guy the art of no contact a woman s survival guide to mastering a breakup and taking back her power by leslie braswell 1 122 ratings 4 08 average rating 91 reviews open preview ignore the guy get the guy quotes showing 1 30 of 60 it takes a man at least three weeks to realize you re not actively seeking him

how to ignore a guy 10 simple effective tips wikihow - Sep 09 2022

web may 3 2023 if you do want to write back keep your text just as short just say hey or nothing much 5 avoid commenting or liking his social media posts if you want to completely ignore a guy avoid him on all forms of social media stop liking and commenting on his posts or pictures and don t message him

ignore the guy get the guy the art of no contact a woman s - Aug 08 2022

web apr 4 2013 ignore the guy get the guy a must read for every woman will teach you how to use the art of no contact to your advantage if you have ever let yourself fall to pieces cried begged pleaded or sought closure you have never learned the art or the power of no contact learn how to keep your pride and dignity intact to get your love life

ignore the guy get the guy the art of no contact a woman s - Dec 12 2022

web ignore the guy get the guy was the compassionate and educational reminder that a relationship should be about honoring the other person in action and rejoicing in their unique company i believe by the way that is true and applicable to

both sides of the relationship while the title does sound a bit like it is about playing games i

ignore the guy get the guy pdf free download booksdrive - May 05 2022

web apr 18 2022 *ignore the guy get the guy pdf free download* the next few chapters will show you how to manage your emotions and keep calm with your dignity and pride in check how to create a plan to put your life back on track without wasting precious weeks months or years holding on to the past and answers to all of your breakup questions

pdf epub ignore the guy get the guy oceanofpdf - Sep 21 2023

web oct 26 2019 leslie braswell s book *ignore the guy get the guy the art of no contact* is a woman s survival guide to mastering a breakup and taking back her power in this book you ll learn why silence is golden

ignore the guy get the guy amazon com tr - Jun 18 2023

web *ignore the guy get the guy the art of no contact a woman s survival guide to mastering a breakup and taking back her power* braswell leslie amazon com tr kitap

ignore the guy get the guy the art of no contact a woman s - Oct 10 2022

web apr 4 2013 *ignore the guy get the guy the art of no contact a woman s survival guide to mastering a breakup and taking back her power* kindle edition by leslie braswell author format kindle edition 1 823 ratings see all formats and editions kindle 5 99 read with our free app audiobook 0 00 free with your audible trial great on

ignore the guy get the guy amazon co uk - Jan 13 2023

web buy *ignore the guy get the guy the art of no contact a woman s survival guide to mastering a breakup and taking back her power* by braswell leslie isbn 8601300358697 from amazon s book store everyday low

ignore the guy get the guy the art of no contact summary - Nov 11 2022

web mar 28 2023 the five key takeaways from *ignore the guy get the guy the art of no contact* chapter 1 why no contact works silence is a woman s best friend how to prevent a man from losing interest to make him miss you chapter 2 the aftermath of a breakup chapter 3 the emotional

4 things that happen when you ignore a guy and why it works - Feb 02 2022

web dec 1 2022 1 he won t care much and will just ignore you back if your guy was blowing cold because he just wasn t that interested in the first place then there s a good chance that ignoring him won t really have much effect he might just be happy enough to let things fade out even if he still had some interest in you

pdf download ignore the guy get the guy yumpu - Jul 07 2022

web pdf download *ignore the guy get the guy the art of no contact a woman s survival guide to mastering a breakup and taking back her show menu buy now swipe vertical scroll horizontal scroll page turn view mode share from cover share from page table of contents page overview 1 out of 1*

ignore the guy get the guy barnes noble - Mar 15 2023

web mar 18 2013 leslie braswell delivers straightforward advice for women overwhelmed by a breakup divorce separation or stuck in relationship limbo ignore the guy get the guy is a woman s survival guide breakup bible and how to guide that will navigate you through the following weeks or months after a

ignore the guy get the guy the art of no contact a woman s - Apr 16 2023

web mar 18 2013 leslie braswell delivers straightforward advice for women overwhelmed by a breakup divorce separation or stuck in relationship limbo ignore the guy get the guy is a woman s survival guide breakup bible and how to guide that will navigate you through the following weeks or months after a breakup

why does ignoring a guy make him want you more - Apr 04 2022

web sep 28 2023 ignore a guy and he ll come running 2 become less available once you become too available some people will rarely see the value you hold and that is why you have to ignore them to ignore a guy you can suddenly become unavailable thereby making him want to spend time with you 3

pdf ignore the guy get the guy download zbooks - Mar 03 2022

web ignore the guy get the guy download during this time forget about dating forget about mr ex finding mr right and understand that there is no man in the world that your happiness should depend on sure one may make you feel happy but let s be clear about this you have to make yourself happy first it s great when you do meet

ignore the guy get the guy insights power dynamics - Jul 19 2023

web ignore the guy get the guy summary review by lucio buffalmano 8 minutes of reading ignore the guy get the guy is your guide to surviving a breakup and making him run back to you thus it s especially geared towards women who want to get their man and their relationship back

download free pdf ignore the guy get the guy by - Jun 06 2022

web mar 15 2022 this is your survival guide breakup bible and how to guide that will get through the weeks or months following a breakup with your pride and dignity intact every woman can reverse a breakup it doesn t matter what the circumstances are if you play your cards right from the beginning and learn how to shift the power back in your favor after a

hollywood la cité des femmes parution 2016 chez - Dec 06 2022

web jours à 36 ans en pleine gloire lire cette confession inachevée c est se rapprocher d elle entendre sa voix bien reconnaissable dévoiler les deux faces de sa personnalité les

hollywood la cita c des femmes pdf copy support ortax - Dec 26 2021

hollywood la cita c des femmes pdf uniport edu - Apr 29 2022

web hollywood la cita c des femmes pdf introduction hollywood la cita c des femmes pdf copy
[hollywood la cita c des femmes copy uniport edu](#) - Sep 22 2021

[hollywood la cita c des femmes uniport edu](#) - Feb 25 2022

web jun 21 2023 frères musulmans première éruption d un volcan qui n en finit pas de rugir c est la chute du monde ancien qui enveloppait magies et sortilèges sous les

hollywood la cita c des femmes dana miller - Oct 04 2022

web jul 1 2023 hollywood la cita c des femmes 2 9 downloaded from uniport edu ng on july 1 2023 by guest rugir c est la chute du monde ancien qui enveloppait magies et

hollywood la cité des femmes parution 2016 chez - Jan 07 2023

web if you take aim to download and install the hollywood la cita c des femmes it is certainly easy then since currently we extend the associate to buy and make bargains to

hollywood la cité des femmes histoires des actrices de l âge - Apr 10 2023

web hollywood la cité des femmes est le premier livre à retracer en détail la carrière de ces femmes d exception mettant en perspective leurs films leurs vies et leurs combats

[hollywood la cité des femmes antoine sire babelio](#) - Aug 14 2023

web le récit est organisé autour des rapports entre les actrices et leur époque leurs studios leurs réalisateurs d une plume érudite et passionnée l auteur évoque avec un plaisir

hollywood la cité des femmes histoires des actrices de l âge - Feb 08 2023

web hollywood la cita c des femmes this is likewise one of the factors by obtaining the soft documents of this hollywood la cita c des femmes by online you might not require

hollywood la cita c des femmes pdf uniport edu - Aug 02 2022

web title hollywood la cita c des femmes pdf free red ortax org created date 9 2 2023 10 39 07 pm

[hollywood la cita c des femmes pdf free red ortax](#) - Mar 29 2022

web sauvages de l ouest de ces femmes recrutées pour la plupart dans les prisons ou les asiles psychiatriques c est à la fois un magnifique portrait de femme qu il nous offre

hollywood la cité des femmes institut lumière - Jul 13 2023

web oct 26 2016 hollywood la cité des femmes est le premier livre à décrire avec précision la trajectoire des femmes qui ont construit le mythe hollywoodien d une

hollywood la cita c des femmes full pdf reports budgetbakers - Nov 24 2021

[hollywood la cita c des femmes leigh bardugo book](#) - Sep 03 2022

web aug 6 2023 intimes d'une de ces femmes blanches may dodd les aventures dans les terres sauvages de l'ouest de ces femmes recrutées pour la plupart dans les prisons ou

hollywood la cita c des femmes pdf uniport edu - Oct 24 2021

hollywood la cité des femmes actes sud - Jun 12 2023

web hollywood la cité des femmes histoires des actrices de l'âge d'or d'hollywood 1930 1955 relié illustré 26 octobre 2016

hollywood la cité des femmes est le premier

hollywood la cita c des femmes pdf uniport edu - May 31 2022

web toutes les informations sur la cité des femmes film réalisé par federico fellini avec marcello mastroianni et anna prucnal sorti en 1980 synopsis snaporaz un

hollywood la cita c des femmes pdf uniport edu - Jul 01 2022

web mar 18 2023 hollywood la cita c des femmes 2 5 downloaded from uniport edu ng on march 18 2023 by guest son esprit s'éloigne richard affronte ses nombreuses

[hollywood la cite des femmes switzerland tourism](#) - Mar 09 2023

web buy hollywood la cité des femmes histoires des actrices de l'âge d'or d'hollywood 1930 1955 by online on amazon ae at best prices fast and free shipping free returns

la cité des femmes film réalisateurs acteurs actualités - Jan 27 2022

web les amants de la brume scott nicholson 2011 09 16 le détective privé richard steele doit résoudre son enquête la plus difficile son propre meurtre alors qu'il se retrouve coincé

hollywood la cité des femmes fnac - May 11 2023

web exposition de photos rares et inédites des stars des années 30 à 55

hollywood la cité des femmes histoires des actrices de l'âge - Nov 05 2022

web jul 6 2023 hollywood la cita c des femmes below marilyn dernières séances michel schneider 2006 08 30 trente mois durant de janvier 1960 au 4 août 1962 ils formèrent