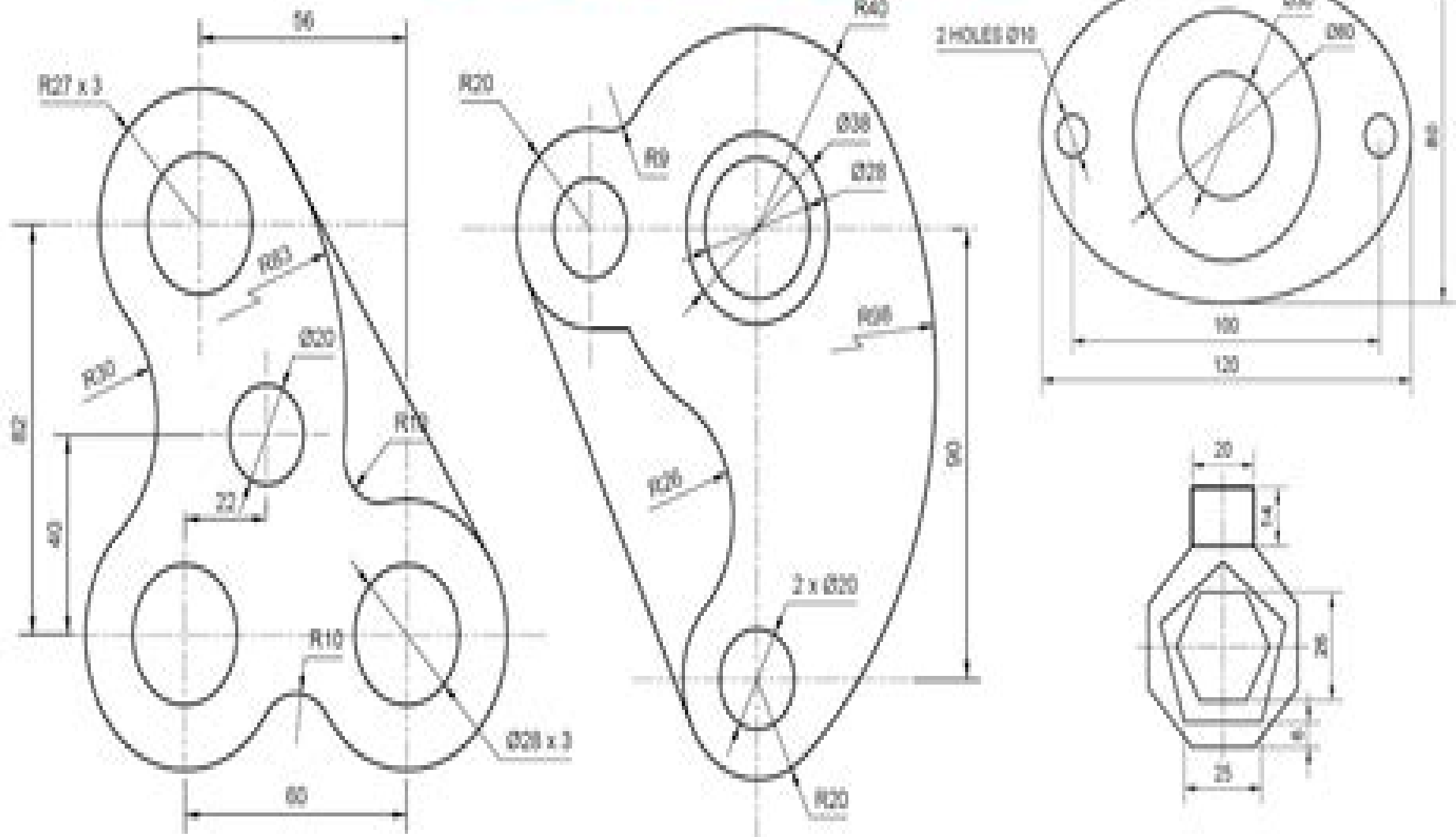


# AutoCAD Training Exercises - 3

## 315K+ Views



# Sample Of Manual For Auto Cad Training

**Paul F. Richard**



## Sample Of Manual For Auto Cad Training:

**AutoCAD and Its Applications Solution Manual** Terence M. Shumaker, Madsen, 1999-09 These editions of AutoCAD and its Applications provide instruction for mastering AutoCAD AutoCAD R14 2000 commands and drawing and dimensioning techniques The AutoCAD 2000 title offers a Basics and Advanced edition This allows for manageable texts in both size and content as well as flexibility to meet the needs of various course structures Content of the Basics edition provides comprehensive coverage of introductory and two dimensional AutoCAD drafting while the Advanced edition covers three dimensional and other advanced functions Both texts cover topics in an easy to understand sequence and progress in a manner that allows students to become comfortable with AutoCAD In depth discussions of every major new and existing AutoCAD feature command and option are provided Hundreds of exercises questions and drawing problems assist learning No AutoCAD book surpasses the depth of coverage provided by this title

**Technical Information Processing System**, 1988

**Harnessing AutoCAD 2004 Exercise Manual** Thomas A. Stellman, Krishnan, Stellman, G. V. Krishnan, 2004 This most recent edition of Harnessing AutoCAD continues in the tradition of previous versions by providing the widest selection of discipline specific exercises and projects for learning how to use today's leading desktop design and drawing software A smart how to and reference manual Harnessing AutoCAD 2004 contains up to the minute functionality including extensively illustrated examples of prompt response sequences whereby certain commands prompt users for additional information such as coordinates or dimensions to complete a function The companion Exercise Manual has been also been updated featuring problems in complete project format for practicing concepts and commands learned in chapter or section as well as for testing single concepts and commands This complete package is appropriate for either the novice or advanced user The companion Exercise Manual provides more than 200 discipline specific exercises and projects for learning how to use today's leading desktop design and drawing software Updated to AutoCAD 2004 the manual features problems in complete project format that help readers practice concepts and commands modeled on AutoCAD use in the architectural mechanical electrical and civil fields

*Technical Drawing 101 with AutoCAD 2017* Ashleigh Fuller, Antonio Ramirez, Douglas Smith, 2016-05 Technical Drawing 101 covers topics ranging from the most basic such as making freehand multiview sketches of machine parts to the advanced creating an AutoCAD dimension style containing the style settings defined by the ASME Y14.5 2009 Dimensioning and Tolerancing standard But unlike the massive technical drawing reference texts on the market Technical Drawing 101 aims to present just the right mix of information and projects that can be reasonably covered by faculty and assimilated by students in one semester Both mechanical and architectural projects are introduced to capture the interest of more students and to offer a broader appeal The authors have also created extensive video training 120 videos 15 hours total that is included with every copy of the book In these videos the authors start off by getting students comfortable with the user interface and demonstrating how to use many of AutoCAD's commands and features The videos

progress to more advanced topics where the authors walk students through completing several of the projects in the book. The CAD portion of the text incorporates drafting theory whenever possible and covers the basics of drawing setup units, limits, and layers, the tools of the Draw, Modify, and Dimension toolbars, and the fundamentals of 3D modeling. By focusing on the fundamental building blocks of CAD, *Technical Drawing 101* provides a solid foundation for students going on to learn advanced CAD concepts and techniques: paper space, viewports, xrefs, annotative scaling, etc. In intermediate CAD courses, in recognition of the diverse career interests of our students, *Technical Drawing 101* includes projects in which students create working drawings for a mechanical assembly as well as for an architectural project. We include architectural drawing because our experience has shown that many, if not most, first semester drafting students are interested in careers in the architectural design field and that a traditional technical drawing text which focuses solely on mechanical drawing projects holds little interest for these students. The multidisciplinary approach of this text and its supporting materials are intended to broaden the appeal of the curriculum and increase student interest, and it is hoped future enrollments will reflect this.

[Introduction to AutoCAD 2024](#) Paul F. Richard, 2023-10-06. *Introduction to AutoCAD 2024* addresses advances in technology and introduces students to 2-dimensional drawing skills and commands using the 2024 release of AutoCAD. Straightforward explanations focus on actual drawing procedures, and illustrations show what to expect on the computer screen. It continuously builds on concepts covered in previous chapters, contains exercises combined with in-text notes, and offers examples that provide the how and why of AutoCAD fundamentals. Projects are included at the end of each chapter and provide hands-on experience creating various types of mechanical, architectural, civil, and electrical drawings. This text is appropriate for introductory and intermediate AutoCAD courses. It introduces AutoCAD drafting skills, editing techniques, working with complex objects, annotating drawings, outputting your work, advanced drawing and construction methods, and collaborating with others on the web. Pedagogy reinforces learning objectives throughout with chapter objectives, key term definitions, command grids that concisely offer multiple ways of achieving the task at hand, new version icons that highlight new software features, quickly and discipline icons that identify the field of study throughout. Hands-on exercises appear throughout the text to reinforce learning, and end-of-chapter projects require students to demonstrate a full understanding of the concepts presented in the chapter. *Introduction to AutoCAD 2024* provides students with the tools they need to develop drafting skills with AutoCAD.

[Technical Drawing 101 with AutoCAD 2020](#) Ashleigh Fuller, Antonio Ramirez, Douglas Smith, 2019-06. *Technical Drawing 101* covers topics ranging from the most basic, such as making freehand multiview sketches of machine parts, to the advanced, creating an AutoCAD dimension style containing the style settings defined by the ASME Y14.5 2009 Dimensioning and Tolerancing standard. But unlike the massive technical drawing reference texts on the market, *Technical Drawing 101* aims to present just the right mix of information and projects that can be reasonably covered by faculty and assimilated by students in one semester. Both mechanical and architectural projects are introduced to capture the interest of more students and to

offer a broader appeal The authors have also created extensive video training 120 videos 17 hours total that is included with every copy of the book In these videos the authors start off by getting students comfortable with the user interface and demonstrating how to use many of AutoCAD s commands and features The videos progress to more advanced topics where the authors walk students through completing several of the projects in the book The CAD portion of the text incorporates drafting theory whenever possible and covers the basics of drawing setup units limits and layers the tools of the Draw Modify and Dimension toolbars and the fundamentals of 3D modeling By focusing on the fundamental building blocks of CAD Technical Drawing 101 provides a solid foundation for students going on to learn advanced CAD concepts and techniques paper space viewports xrefs annotative scaling etc in intermediate CAD courses In recognition of the diverse career interests of our students Technical Drawing 101 includes projects in which students create working drawings for a mechanical assembly as well as for an architectural project We include architectural drawing because our experience has shown that many if not most first semester drafting students are interested in careers in the architectural design field and that a traditional technical drawing text which focuses solely on mechanical drawing projects holds little interest for these students The multidisciplinary approach of this text and its supporting materials are intended to broaden the appeal of the curriculum and increase student interest and it is hoped future enrollments

Technical Drawing 101 with AutoCAD 2025 Ashleigh Congdon-Fuller, Douglas Smith, Antonio Ramirez, Blends technical drawing and an introduction to AutoCAD 2025 Includes mechanical architectural civil and electronic projects Extensive library of video instruction included with each book Drafting theory is incorporated throughout the text Designed to be used in a single semester instructor led course Each chapter contains key terms unit summaries review questions and drawing projects This edition features new chapters covering civil and electrical drafting A lot rides on your choice of technical drawing textbook it could be the gateway leading students to a rewarding career or the foundation for an introductory class that fuels interest in a whole program Technical Drawing 101 with AutoCAD 2025 is both More than a traditional technical drawing textbook it uniquely teaches both the theory and fundamentals of technical drawing and the basics of AutoCAD It covers topics ranging from the most basic such as making freehand multi view sketches of machine parts to the advanced such as creating an AutoCAD dimension style containing the style settings defined by the ASME Y14 5 2009 Dimensioning and Tolerancing standard But unlike the massive technical drawing reference texts on the market Technical Drawing 101 with AutoCAD presents just the right mix of information and projects for an introductory one semester course including all the supporting materials needed by students and faculty The authors distilled all the knowledge and experience gleaned from designing a successful AutoCAD program into this textbook to deliver the best training possible to students Step by step activities exercises and projects interest and challenge learners Technical Drawing 101 with AutoCAD begins with technical and multi view drawing basics The CAD portion of the text incorporates drafting theory whenever possible and covers the basics of drawing setup units limits and layers the tools of the

Draw Modify and Dimension toolbars and the fundamentals of 3D modeling By focusing on the fundamental building blocks of CAD Technical Drawing 101 with AutoCAD provides a solid foundation for students going on to learn advanced CAD concepts and techniques xrefs annotative scaling etc in intermediate CAD courses The included mechanical and architectural projects as well as new chapters on civil drafting and electronic drafting allow students to explore these possible career paths with the perfect amount of background information and designing tasks Supplemental Materials The Technical Drawing 101 with AutoCAD textbook and included student and instructor materials are a complete semester s curriculum Instructors receive an instructor s manual lecture materials check prints of AutoCAD dwg files prototype drawings for assignments a syllabus tests quizzes answer keys and sketching and traditional drafting files in doc and PDF format With the textbook students gain access to an extensive library of video tutorials They also receive AutoCAD prototype drawings for each CAD assignment lettering practice sheets and multi view sketching grid sheets in PDF format Broad Appeal Students taking introductory technical drawing classes usually have diverse career interests Traditional technical drawing texts which focus solely on mechanical drawing projects hold little interest for these students so Technical Drawing 101 with AutoCAD includes projects in which students create working drawings for a mechanical assembly as well as for an architectural project Learners will master these topics with the same clear instruction and step by step process that is featured in the rest of the textbook The newly added chapter on civil drafting touches on types of civil drawings civil bearings courses and units and concludes with a mortgage survey project Another brand new chapter on electrical and electronics drafting explains the types of working drawings and graphics found in this field circuits symbols and components and schematic diagrams followed by an FM tuner project The inclusion of these chapters helps capture the interest of more students while adding even more multidisciplinary appeal to the text Video Tutorials The video tutorials that are included with this textbook are designed to get students comfortable with the user interface and demonstrate how to use many of AutoCAD s commands and features The videos progress to more advanced topics that walk students through completing several of the projects in the book Icons throughout the book alert learners to times when they should access downloads and videos

Technical Drawing 101 with AutoCAD 2015 Antonio Ramirez, Jana Schmidt , Douglas Smith, 2014-06-11 Technical Drawing 101 covers topics ranging from the most basic such as making freehand multiview sketches of machine parts to the advanced creating an AutoCAD dimension style containing the style settings defined by the ASME Y14.5 2009 Dimensioning and Tolerancing standard But unlike the massive technical drawing reference texts on the market Technical Drawing 101 aims to present just the right mix of information and projects that can be reasonably covered by faculty and assimilated by students in one semester Both mechanical and architectural projects are introduced to capture the interest of more students and to offer a broader appeal The authors have also created extensive video training 101 videos nearly 11 hours total that is included with every copy of the book In these videos the authors start of by getting students comfortable with the user interface and demonstrating how

to use many of AutoCAD's tools and commands. The videos progress to more advanced topics where the authors walk students through completing several of the projects in the book. The CAD portion of the text incorporates drafting theory whenever possible and covers the basics of drawing setup, units, limits, and layers, the tools of the Draw, Modify, and Dimension toolbars, and the fundamentals of 3D modeling. By focusing on the fundamental building blocks of CAD, *Technical Drawing 101* provides a solid foundation for students going on to learn advanced CAD concepts and techniques: paper space, viewpoints, xrefs, annotative scaling, etc. in intermediate CAD courses. In recognition of the diverse career interests of our students, *Technical Drawing 101* includes projects in which students create working drawings for a mechanical assembly as well as for an architectural project. We include architectural drawing because our experience has shown that many, if not most, first semester drafting students are interested in careers in the architectural design field and that a traditional technical drawing text which focuses solely on mechanical drawing projects holds little interest for these students. The multidisciplinary approach of this text and its supporting materials is intended to broaden the appeal of the curriculum and increase student interest, and it is hoped future enrollments will reflect this.

**AutoCAD and AutoCAD LT All-in-One Desk Reference For Dummies** David Byrnes, Lee Ambrosius, 2006-08-07 AutoCAD is the leading software tool for creating technical and architectural drawings, but it definitely doesn't lead in the easy-to-master category. That's why there's *AutoCAD and AutoCAD LT All in One Desk Reference For Dummies*, the perfect way to break a complex topic into bite-size, easy-to-understand pieces. Once you get the hang of using AutoCAD and its slightly less feature-rich cousin AutoCAD LT, you discover that it offers wonderful advantages: AutoCAD allows you to create precision to 14 significant digits; Re-use portions of your drawings by copying and pasting; Draw things full size and print your drawings in any scale; Produce drawings that are easier to read when reduced; Electronically share and distribute drawings; Design in 2D or 3D. So obviously the trick is to speed up that getting-the-hang-of-it process. That's where *AutoCAD and AutoCAD LT All in One Desk Reference For Dummies* comes in, especially handy. Ten easy-to-follow minibooks cover every aspect of AutoCAD, including the latest features of AutoCAD 2007, so you can find just what you need to know quickly and easily. You'll get the scoop on AutoCAD basics such as setting up drawings, finding your way around the interface, and using all the tools; Drawing and modifying objects in 2D and annotating your drawings; 3D modeling and viewing, working with solids and surfaces, and rendering; Understanding how AutoCAD LT differs from AutoCAD and deciding which program you need; Advanced drafting skills including organizing drawings, working with blocks, and using AutoCAD utilities; Setting up your drawings for plotting to paper and publishing; Sharing your drawings online for collaboration; Customizing and programming AutoCAD to make it work the way you want it to. In the familiar, friendly *For Dummies* fashion, *AutoCAD and AutoCAD LT All in One Desk Reference For Dummies* gives you plain English explanations and step-by-step directions. Written by a pair of Autodesk Authorized Authors, this handy guide will help make your relationship with AutoCAD a happy and productive one.

**AutoCAD and Its Applications** Terence M. Shumaker, David A.

Madsen,2000 These editions of AutoCAD and its Applications provide instruction for mastering AutoCAD RM 2000 commands and drawing and dimensioning techniques Like the Release 14 editions the AutoCAD 2000 title offers a Basics and Advanced edition This allows for manageable texts in both size and content as well as flexibility to meet the needs of various course structures Content of the Basics edition provides comprehensive coverage of introductory and two dimensional AutoCAD drafting while the Advanced edition covers three dimensional and other advanced functions Both texts cover topics in an easy to understand sequence and progress in a manner that allows students to become comfortable with AutoCAD In depth discussions of every major new and existing AutoCAD feature command and option are provided Hundreds of exercises questions and drawing problems assist learning No AutoCAD book surpasses the depth of coverage provided by this outstanding title Command initiation methods appear in the text margin next to command introduction Professional Tips explain how to use AutoCAD efficiently Fold out cover illustrates AutoCAD command buttons and screen and pull down menu trees Topics keyed to AutoCAD User Guide Drawing Problems and Exercises offer application to several disciplines clearly identified by an icon Chapter Tests allow review of important commands and concepts

Technical Drawing 101 with AutoCAD 2026 Ashleigh Congdon-Fuller, Antonio Ramirez, Douglas Smith, Blends technical drawing and an introduction to AutoCAD 2026 Includes mechanical architectural civil and electronic projects Extensive library of video instruction included with each book Drafting theory is incorporated throughout the text Designed to be used in a single semester instructor led course Each chapter contains key terms unit summaries review questions and drawing projects A lot rides on your choice of technical drawing textbook it could be the gateway leading students to a rewarding career or the foundation for an introductory class that fuels interest in a whole program Technical Drawing 101 with AutoCAD 2026 is both More than a traditional technical drawing textbook it uniquely teaches both the theory and fundamentals of technical drawing and the basics of Autodesk AutoCAD It covers topics ranging from the most basic such as making freehand multi view sketches of machine parts to the advanced such as creating an AutoCAD dimension style containing the style settings defined by the ASME Y14 5 2009 Dimensioning and Tolerancing standard But unlike the massive technical drawing reference texts on the market Technical Drawing 101 with AutoCAD presents just the right mix of information and projects for an introductory one semester course including all the supporting materials needed by students and faculty The authors distilled all the knowledge and experience gleaned from designing a successful AutoCAD program into this textbook to deliver the best training possible to students Step by step activities exercises and projects interest and challenge learners Technical Drawing 101 with AutoCAD begins with technical and multi view drawing basics The CAD portion of the text incorporates drafting theory whenever possible and covers the basics of drawing setup units limits and layers the tools of the Draw Modify and Dimension toolbars and the fundamentals of 3D modeling By focusing on the fundamental building blocks of CAD Technical Drawing 101 with AutoCAD provides a solid foundation for students going on to learn advanced CAD concepts and techniques xrefs



annotative scaling etc in intermediate CAD courses The included mechanical and architectural projects as well as new chapters on civil drafting and electronic drafting allow students to explore these possible career paths with the perfect amount of background information and designing tasks Supplemental Materials The Technical Drawing 101 with AutoCAD textbook and included student and instructor materials are a complete semester s curriculum Instructors receive an instructor s manual lecture materials check prints of AutoCAD dwg files prototype drawings for assignments a syllabus tests quizzes answer keys and sketching and traditional drafting files in doc and PDF format With the textbook students gain access to an extensive library of video tutorials They also receive AutoCAD prototype drawings for each CAD assignment lettering practice sheets and multi view sketching grid sheets in PDF format Broad Appeal Students taking introductory technical drawing classes usually have diverse career interests Traditional technical drawing texts which focus solely on mechanical drawing projects hold little interest for these students so Technical Drawing 101 with AutoCAD includes projects in which students create working drawings for a mechanical assembly as well as for an architectural project Learners will master these topics with the same clear instruction and step by step process that is featured in the rest of the textbook The newly added chapter on civil drafting touches on types of civil drawings civil bearings courses and units and concludes with a mortgage survey project Another brand new chapter on electrical and electronics drafting explains the types of working drawings and graphics found in this field circuits symbols and components and schematic diagrams followed by an FM tuner project The inclusion of these chapters helps capture the interest of more students while adding even more multidisciplinary appeal to the text Video Tutorials The video tutorials that are included with this textbook are designed to get students comfortable with the user interface and demonstrate how to use many of AutoCAD s commands and features The videos progress to more advanced topics that walk students through completing several of the projects in the book Icons throughout the book alert learners to times when they should access downloads and videos

*Technical Drawing 101 with AutoCAD 2024* Ashleigh Congdon-Fuller, Antonio Ramirez, Douglas Smith, 2023 Blends technical drawing and an introduction to AutoCAD 2024 Covers both mechanical and architectural projects Twenty six hours of video instruction is included with each book Drafting theory is incorporated throughout the text Designed to be used in a single semester instructor led course Each chapter contains key terms unit summaries review questions and drawing projects Technical Drawing 101 covers topics ranging from the most basic such as making freehand multiview sketches of machine parts to the advanced creating an AutoCAD dimension style containing the style settings defined by the ASME Y14 5 2009 Dimensioning and Tolerancing standard But unlike the massive technical drawing reference texts on the market Technical Drawing 101 aims to present just the right mix of information and projects that can be reasonably covered by faculty and assimilated by students in one semester Both mechanical and architectural projects are introduced to capture the interest of more students and to offer a broader appeal The authors have also created extensive video training 178 videos 26 hours total that is included with every

copy of the book In these videos the authors start off by getting students comfortable with the user interface and demonstrating how to use many of AutoCAD s commands and features The videos progress to more advanced topics where the authors walk students through completing several of the projects in the book The CAD portion of the text incorporates drafting theory whenever possible and covers the basics of drawing setup units limits and layers the tools of the Draw Modify and Dimension toolbars and the fundamentals of 3D modeling By focusing on the fundamental building blocks of CAD Technical Drawing 101 provides a solid foundation for students going on to learn advanced CAD concepts and techniques paper space viewports xrefs annotative scaling etc in intermediate CAD courses In recognition of the diverse career interests of our students Technical Drawing 101 includes projects in which students create working drawings for a mechanical assembly as well as for an architectural project We include architectural drawing because our experience has shown that many if not most first semester drafting students are interested in careers in the architectural design field and that a traditional technical drawing text which focuses solely on mechanical drawing projects holds little interest for these students The multidisciplinary approach of this text and its supporting materials are intended to broaden the appeal of the curriculum and increase student interest and it is hoped future enrollments

*Technical Drawing 101 with AutoCAD 2022* Ashleigh Congdon-Fuller, Antonio Ramirez, Douglas Smith, 2021-07 Blends technical drawing and an introduction to AutoCAD 2022 Covers both mechanical and architectural projects Twenty six hours of video instruction is included with each book Drafting theory is incorporated throughout the text Designed to be used in a single semester instructor led course Each chapter contains key terms unit summaries review questions and drawing projects Technical Drawing 101 covers topics ranging from the most basic such as making freehand multiview sketches of machine parts to the advanced creating an AutoCAD dimension style containing the style settings defined by the ASME Y14 5 2009 Dimensioning and Tolerancing standard But unlike the massive technical drawing reference texts on the market Technical Drawing 101 aims to present just the right mix of information and projects that can be reasonably covered by faculty and assimilated by students in one semester Both mechanical and architectural projects are introduced to capture the interest of more students and to offer a broader appeal The authors have also created extensive video training 176 videos 26 hours total that is included with every copy of the book In these videos the authors start off by getting students comfortable with the user interface and demonstrating how to use many of AutoCAD s commands and features The videos progress to more advanced topics where the authors walk students through completing several of the projects in the book The CAD portion of the text incorporates drafting theory whenever possible and covers the basics of drawing setup units limits and layers the tools of the Draw Modify and Dimension toolbars and the fundamentals of 3D modeling By focusing on the fundamental building blocks of CAD Technical Drawing 101 provides a solid foundation for students going on to learn advanced CAD concepts and techniques paper space viewports xrefs annotative scaling etc in intermediate CAD courses In recognition of the diverse career interests of our students

Technical Drawing 101 includes projects in which students create working drawings for a mechanical assembly as well as for an architectural project We include architectural drawing because our experience has shown that many if not most first semester drafting students are interested in careers in the architectural design field and that a traditional technical drawing text which focuses solely on mechanical drawing projects holds little interest for these students The multidisciplinary approach of this text and its supporting materials are intended to broaden the appeal of the curriculum and increase student interest and it is hoped future enrollments

**Mastering AutoCAD Civil 3D 2013** Louisa Holland,Kati Mercier,2012-07-18 A complete tutorial and reference for AutoCAD Civil 3D 2013 Autodesk s Civil 3D is the leading civil engineering software and this reliable training guide has been thoroughly revised and updated to offer a fresh perspective on this powerful engineering package Filled with illustrative examples new datasets and new tutorials this book shows how elements of the dynamic engineering program work together and discusses the best methods for creating editing displaying and labeling all of a civil engineering project s elements The book s straightforward explanations real world examples and practical tutorials focus squarely on teaching vital Civil 3D tips tricks and techniques The authors extensive real world experience and Civil 3D expertise allows them to focus on how the software is used in real world professional environments and present topics and techniques that are not documented elsewhere Offers an overview of key concepts and the software s interface Discusses the best methods for creating editing displaying and labeling all of a civil engineering project s elements Features in depth detailed coverage of surveying points alignments surfaces profiles corridors grading LandXML and LDT Project Transfer cross sections pipe networks visualization sheets and project management as well as Vault and data shortcuts Offers help for the Civil 3D Certified Associate and Certified Professional exams This book is the only complete detailed reference and tutorial for Autodesk s extremely popular and robust civil engineering software

**Technical Drawing 101 with AutoCAD 2023** Ashleigh Congdon-Fuller,Antonio Ramirez,Douglas Smith,2022-09-17 Technical Drawing 101 covers topics ranging from the most basic such as making freehand multiview sketches of machine parts to the advanced creating an AutoCAD dimension style containing the style settings defined by the ASME Y14 5 2009 Dimensioning and Tolerancing standard But unlike the massive technical drawing reference texts on the market Technical Drawing 101 aims to present just the right mix of information and projects that can be reasonably covered by faculty and assimilated by students in one semester Both mechanical and architectural projects are introduced to capture the interest of more students and to offer a broader appeal The authors have also created extensive video training 178 videos 26 hours total that is included with every copy of the book In these videos the authors start off by getting students comfortable with the user interface and demonstrating how to use many of AutoCAD s commands and features The videos progress to more advanced topics where the authors walk students through completing several of the projects in the book The CAD portion of the text incorporates drafting theory whenever possible and covers the basics of drawing setup units limits and layers the tools of the Draw Modify and Dimension toolbars

and the fundamentals of 3D modeling By focusing on the fundamental building blocks of CAD Technical Drawing 101 provides a solid foundation for students going on to learn advanced CAD concepts and techniques paper space viewports xrefs annotative scaling etc in intermediate CAD courses In recognition of the diverse career interests of our students Technical Drawing 101 includes projects in which students create working drawings for a mechanical assembly as well as for an architectural project We include architectural drawing because our experience has shown that many if not most first semester drafting students are interested in careers in the architectural design field and that a traditional technical drawing text which focuses solely on mechanical drawing projects holds little interest for these students The multidisciplinary approach of this text and its supporting materials are intended to broaden the appeal of the curriculum and increase student interest and it is hoped future enrollments

**Mastering AutoCAD Civil 3D 2012** Richard Graham,Louisa

Holland,2011-06-15 A complete detailed reference and tutorial for AutoCAD Civil 3D Autodesk s Civil 3D is the industry leading civil engineering software and this authoritative Autodesk Official Training Guide has been completely revised and modernized to offer you a fresh perspective on this powerful engineering package Packed with new examples new datasets and new tutorials this book shows how elements of the dynamic engineering program work together and discusses the best methods for creating editing displaying and labeling all of a civil engineering project s elements The book features in depth detailed coverage of surveying points alignments surfaces profiles corridors grading LandXML and LDT Project Transfer cross sections pipe networks visualization sheets and project management as well as Vault and data shortcuts Practical tutorials tips tricks real world examples and easy to follow explanations detail all aspects of a civil engineering project This Mastering book is recommended as a Certification Preparation study guide resource for the Civil 3D Associate and Professional exams Features in depth detailed coverage of AutoCAD Civil 3D the enormously popular civil engineering software Shows how elements of the dynamic engineering program work together and discusses the best methods for creating editing displaying and labeling all of a civil engineering project s elements Shares straightforward explanations real world examples and practice tutorials on surveying points alignments surfaces profiles corridors grading and much more In addition to teaching you vital Civil 3D tips tricks and techniques Mastering AutoCAD Civil 3D will also help you prepare for the Civil 3D 2011 Certified Associate and Certified Professional exams

**Up and Running with AutoCAD 2020** Elliot J.

Gindis,Robert C. Kaebisch,2019-07-16 Up and Running with AutoCAD 2020 uses a combination of step by step instruction examples and insightful explanations to emphasize core concepts and practical application of AutoCAD in engineering architecture and design Equally useful in instructor led classroom training self study or as a reference the book is written with the user in mind by long time professional AutoCAD instructors based on what works in the industry and the classroom The book focuses on 2D drafting and design making it more appropriate for a one semester course Strips away complexities and reduces learning AutoCAD to easy to understand concepts Teaches the essentials of AutoCAD first immediately building

student confidence Provides all basic commands documented step by step What the student inputs and how AutoCAD responds is spelled out in discrete and clear steps with numerous screenshots Presents extensive supporting graphics and a summary with a self test section and topic specific drawing exercises at the end of each chapter Covers the essentials of 2D AutoCAD updated for the 2020 release [Up and Running with AutoCAD 2017](#) Elliot J. Gindis,2016-08-18 Up and Running with AutoCAD 2017 2D and 3D Drawing and Modeling presents Gindis combination of step by step instruction examples and insightful explanations The emphasis from the beginning is on core concepts and practical application of AutoCAD in engineering architecture and design Equally useful in instructor led classroom training self study or as a professional reference the book is written with the user in mind by a long time AutoCAD professional and instructor based on what works in the industry and the classroom Strips away complexities and reduces AutoCAD to easy to understand basic concepts Teaches only what is essential in operating AutoCAD thereby immediately building student confidence Fully covers the essentials of both 2D and 3D in one affordable easy to read volume Presents basic commands in a documented step by step guide on what to type in and how AutoCAD responds Includes several complementary video lectures by the author that accompany both 2D and 3D sections *Up and Running with AutoCAD 2014* Elliot J. Gindis,2013-07-24 Get Up and Running with AutoCAD using Gindis s combination of step by step instruction examples and insightful explanations The emphasis from the beginning is on core concepts and practical application of AutoCAD in architecture engineering and design Equally useful in instructor led classroom training self study or as a professional reference the book is written with the user in mind by a long time AutoCAD professional and instructor based on what works in the industry and the classroom Strips away complexities both real and perceived and reduces AutoCAD to easy to understand basic concepts Teaches only what is essential to operating AutoCAD first thereby immediately building student confidence All basic commands are documented step by step what the student needs to type in and how AutoCAD responds is spelled out in discrete and clear steps with screen shots added as needed New to this edition New and improved features include better integration with the AutoCAD certification exams new Spotlight On sections an expanded appendix and more content on programming 3D portion of the book has been expanded and improved with new exercises new features and a redone section on rendering All discussions and screen shots have been updated for the current release of AutoCAD **Mastering AutoCAD Civil 3D 2015** Cyndy Davenport,Ishka Voiculescu,2014-08-06 The most complete resource for learning AutoCAD Civil 3D Mastering AutoCAD Civil 3D is the ultimate guide to the new standard in civil engineering software With combined experience in both civil engineering and Autodesk Civil 3D authors Cyndy Davenport and Ishka Voiculescu guide you through the ins and outs of the program from the fundamentals to the little known tricks that make a big difference The book focuses on real world applications in professional environments and presents topics and ideas not found anywhere else Lessons begin simply with an overview of the software and interface and then gradually progress to more complex topics AutoCAD Civil 3D is the

standard software for civil engineering and design From surveying and mapping to design to documentation and analysis the program offers expanded capabilities and complementary workflows allowing easy integration with InfraWorks Revit Structure and more The ability to complete a project within a single suite means increased productivity and continuity which translates into quicker turnaround better designed structures and streamlined project management The savvy civil engineering professional must be well versed in the program s full functionality as it expands throughout government agencies and private companies This book features in depth coverage of topics including Surveying points and alignments Profiles corridors and grading LandXML and LDT project transfer Visualization sheets and project management The book also features downloadable datasets that enable you to access the lessons most relevant to your needs and includes an objectives map to help you prepare for the Civil 3D certification exam For the civil engineering professional hoping to remain relevant in a changing industry Mastering AutoCAD Civil 3D is the ultimate resource

If you ally obsession such a referred **Sample Of Manual For Auto Cad Training** book that will give you worth, get the totally best seller from us currently from several preferred authors. If you want to humorous books, lots of novels, tale, jokes, and more fictions collections are as well as launched, from best seller to one of the most current released.

You may not be perplexed to enjoy all ebook collections Sample Of Manual For Auto Cad Training that we will agreed offer. It is not nearly the costs. Its practically what you compulsion currently. This Sample Of Manual For Auto Cad Training, as one of the most functioning sellers here will unquestionably be accompanied by the best options to review.

<https://hersolutiongelbuy.com/files/detail/HomePages/service%20manual%20timberjack%20450c.pdf>

## **Table of Contents Sample Of Manual For Auto Cad Training**

1. Understanding the eBook Sample Of Manual For Auto Cad Training
  - The Rise of Digital Reading Sample Of Manual For Auto Cad Training
  - Advantages of eBooks Over Traditional Books
2. Identifying Sample Of Manual For Auto Cad Training
  - Exploring Different Genres
  - Considering Fiction vs. Non-Fiction
  - Determining Your Reading Goals
3. Choosing the Right eBook Platform
  - Popular eBook Platforms
  - Features to Look for in an Sample Of Manual For Auto Cad Training
  - User-Friendly Interface
4. Exploring eBook Recommendations from Sample Of Manual For Auto Cad Training
  - Personalized Recommendations
  - Sample Of Manual For Auto Cad Training User Reviews and Ratings
  - Sample Of Manual For Auto Cad Training and Bestseller Lists
5. Accessing Sample Of Manual For Auto Cad Training Free and Paid eBooks

- Sample Of Manual For Auto Cad Training Public Domain eBooks
  - Sample Of Manual For Auto Cad Training eBook Subscription Services
  - Sample Of Manual For Auto Cad Training Budget-Friendly Options
6. Navigating Sample Of Manual For Auto Cad Training eBook Formats
    - ePub, PDF, MOBI, and More
    - Sample Of Manual For Auto Cad Training Compatibility with Devices
    - Sample Of Manual For Auto Cad Training Enhanced eBook Features
  7. Enhancing Your Reading Experience
    - Adjustable Fonts and Text Sizes of Sample Of Manual For Auto Cad Training
    - Highlighting and Note-Taking Sample Of Manual For Auto Cad Training
    - Interactive Elements Sample Of Manual For Auto Cad Training
  8. Staying Engaged with Sample Of Manual For Auto Cad Training
    - Joining Online Reading Communities
    - Participating in Virtual Book Clubs
    - Following Authors and Publishers Sample Of Manual For Auto Cad Training
  9. Balancing eBooks and Physical Books Sample Of Manual For Auto Cad Training
    - Benefits of a Digital Library
    - Creating a Diverse Reading Collection Sample Of Manual For Auto Cad Training
  10. Overcoming Reading Challenges
    - Dealing with Digital Eye Strain
    - Minimizing Distractions
    - Managing Screen Time
  11. Cultivating a Reading Routine Sample Of Manual For Auto Cad Training
    - Setting Reading Goals Sample Of Manual For Auto Cad Training
    - Carving Out Dedicated Reading Time
  12. Sourcing Reliable Information of Sample Of Manual For Auto Cad Training
    - Fact-Checking eBook Content of Sample Of Manual For Auto Cad Training
    - Distinguishing Credible Sources
  13. Promoting Lifelong Learning
    - Utilizing eBooks for Skill Development



- Exploring Educational eBooks
14. Embracing eBook Trends
- Integration of Multimedia Elements
  - Interactive and Gamified eBooks

### **Sample Of Manual For Auto Cad Training Introduction**

In today's digital age, the availability of Sample Of Manual For Auto Cad Training books and manuals for download has revolutionized the way we access information. Gone are the days of physically flipping through pages and carrying heavy textbooks or manuals. With just a few clicks, we can now access a wealth of knowledge from the comfort of our own homes or on the go. This article will explore the advantages of Sample Of Manual For Auto Cad Training books and manuals for download, along with some popular platforms that offer these resources. One of the significant advantages of Sample Of Manual For Auto Cad Training books and manuals for download is the cost-saving aspect. Traditional books and manuals can be costly, especially if you need to purchase several of them for educational or professional purposes. By accessing Sample Of Manual For Auto Cad Training versions, you eliminate the need to spend money on physical copies. This not only saves you money but also reduces the environmental impact associated with book production and transportation. Furthermore, Sample Of Manual For Auto Cad Training books and manuals for download are incredibly convenient. With just a computer or smartphone and an internet connection, you can access a vast library of resources on any subject imaginable. Whether you're a student looking for textbooks, a professional seeking industry-specific manuals, or someone interested in self-improvement, these digital resources provide an efficient and accessible means of acquiring knowledge. Moreover, PDF books and manuals offer a range of benefits compared to other digital formats. PDF files are designed to retain their formatting regardless of the device used to open them. This ensures that the content appears exactly as intended by the author, with no loss of formatting or missing graphics. Additionally, PDF files can be easily annotated, bookmarked, and searched for specific terms, making them highly practical for studying or referencing. When it comes to accessing Sample Of Manual For Auto Cad Training books and manuals, several platforms offer an extensive collection of resources. One such platform is Project Gutenberg, a nonprofit organization that provides over 60,000 free eBooks. These books are primarily in the public domain, meaning they can be freely distributed and downloaded. Project Gutenberg offers a wide range of classic literature, making it an excellent resource for literature enthusiasts. Another popular platform for Sample Of Manual For Auto Cad Training books and manuals is Open Library. Open Library is an initiative of the Internet Archive, a non-profit organization dedicated to digitizing cultural artifacts and making them accessible to the public. Open Library hosts millions of books, including both public domain works and contemporary titles. It also allows users to borrow digital copies of certain

books for a limited period, similar to a library lending system. Additionally, many universities and educational institutions have their own digital libraries that provide free access to PDF books and manuals. These libraries often offer academic texts, research papers, and technical manuals, making them invaluable resources for students and researchers. Some notable examples include MIT OpenCourseWare, which offers free access to course materials from the Massachusetts Institute of Technology, and the Digital Public Library of America, which provides a vast collection of digitized books and historical documents. In conclusion, Sample Of Manual For Auto Cad Training books and manuals for download have transformed the way we access information. They provide a cost-effective and convenient means of acquiring knowledge, offering the ability to access a vast library of resources at our fingertips. With platforms like Project Gutenberg, Open Library, and various digital libraries offered by educational institutions, we have access to an ever-expanding collection of books and manuals. Whether for educational, professional, or personal purposes, these digital resources serve as valuable tools for continuous learning and self-improvement. So why not take advantage of the vast world of Sample Of Manual For Auto Cad Training books and manuals for download and embark on your journey of knowledge?

### **FAQs About Sample Of Manual For Auto Cad Training Books**

How do I know which eBook platform is the best for me? Finding the best eBook platform depends on your reading preferences and device compatibility. Research different platforms, read user reviews, and explore their features before making a choice. Are free eBooks of good quality? Yes, many reputable platforms offer high-quality free eBooks, including classics and public domain works. However, make sure to verify the source to ensure the eBook credibility. Can I read eBooks without an eReader? Absolutely! Most eBook platforms offer webbased readers or mobile apps that allow you to read eBooks on your computer, tablet, or smartphone. How do I avoid digital eye strain while reading eBooks? To prevent digital eye strain, take regular breaks, adjust the font size and background color, and ensure proper lighting while reading eBooks. What the advantage of interactive eBooks? Interactive eBooks incorporate multimedia elements, quizzes, and activities, enhancing the reader engagement and providing a more immersive learning experience. Sample Of Manual For Auto Cad Training is one of the best book in our library for free trial. We provide copy of Sample Of Manual For Auto Cad Training in digital format, so the resources that you find are reliable. There are also many Ebooks of related with Sample Of Manual For Auto Cad Training. Where to download Sample Of Manual For Auto Cad Training online for free? Are you looking for Sample Of Manual For Auto Cad Training PDF? This is definitely going to save you time and cash in something you should think about. If you trying to find then search around for online. Without a doubt there are numerous these available and many of them have the freedom. However without doubt you receive whatever you purchase. An alternate way to get ideas is always

to check another Sample Of Manual For Auto Cad Training. This method for see exactly what may be included and adopt these ideas to your book. This site will almost certainly help you save time and effort, money and stress. If you are looking for free books then you really should consider finding to assist you try this. Several of Sample Of Manual For Auto Cad Training are for sale to free while some are payable. If you arent sure if the books you would like to download works with for usage along with your computer, it is possible to download free trials. The free guides make it easy for someone to free access online library for download books to your device. You can get free download on free trial for lots of books categories. Our library is the biggest of these that have literally hundreds of thousands of different products categories represented. You will also see that there are specific sites catered to different product types or categories, brands or niches related with Sample Of Manual For Auto Cad Training. So depending on what exactly you are searching, you will be able to choose e books to suit your own need. Need to access completely for Campbell Biology Seventh Edition book? Access Ebook without any digging. And by having access to our ebook online or by storing it on your computer, you have convenient answers with Sample Of Manual For Auto Cad Training To get started finding Sample Of Manual For Auto Cad Training, you are right to find our website which has a comprehensive collection of books online. Our library is the biggest of these that have literally hundreds of thousands of different products represented. You will also see that there are specific sites catered to different categories or niches related with Sample Of Manual For Auto Cad Training So depending on what exactly you are searching, you will be able to choose ebook to suit your own need. Thank you for reading Sample Of Manual For Auto Cad Training. Maybe you have knowledge that, people have search numerous times for their favorite readings like this Sample Of Manual For Auto Cad Training, but end up in harmful downloads. Rather than reading a good book with a cup of coffee in the afternoon, instead they juggled with some harmful bugs inside their laptop. Sample Of Manual For Auto Cad Training is available in our book collection an online access to it is set as public so you can download it instantly. Our digital library spans in multiple locations, allowing you to get the most less latency time to download any of our books like this one. Merely said, Sample Of Manual For Auto Cad Training is universally compatible with any devices to read.

### **Find Sample Of Manual For Auto Cad Training :**

~~service manual timberjack 450e~~

**service reparaturleitfaden audi a3 getriebe**

*service schedule for toyota 4runner*

~~service manual volvo rti~~

*setswana grade 1final exam*

~~service manual smart for two~~

**services marketing mcgraw hill**

*servsafe diagnostic test with answers 2014*

*serway college physics 10th edition*

**service manual suzuki vx893**

service manual suzuki king quad

*service manual rv emerald plus 6500 genset*

**service manual tractor for new holland 7d**

service manual vw t5 caravelle multivan transporter

servng it right answers

**Sample Of Manual For Auto Cad Training :**

**department of health vacancies dpsa circular 26 of 2023** - May 10 2023

web aug 14 2023 department of health vacancies dpsa circular 26 of 2023 applications the director general national department of health private bag x399 pretoria 0001 hand delivered application may be submitted at reception brown application box dr ab xuma building 1112 voortrekker rd pretoria townlands 351 jr

**dpsa health jobs in gauteng 1 november 2023 indeed** - Jun 30 2022

web dpsa vacancies department of health no experience government vacancies government general worker admin administration sassa hospital dpsa dpsa health jobs now available in gauteng speech therapist intern counselor and more on indeed com

**annexure g department of health dpsa gov za** - Jul 12 2023

web department of health through the effective compilation editing and quality control of material for internal communication platforms provide communication support advice and support the ministry and the director general act as a spokesperson for the department and handle media relations

**department of health vacancies dpsa circular 32 of 2023** - Aug 13 2023

web sep 8 2023 department of health vacancies from dpsa circular 32 of 2023 requirements a senior certificate nqf 4 and a three year national diploma nqf 6 in financial management accounting at least three 3 years relevant experience in the management of public sector conditional grants at a senior administration officer or

*dpsa health jobs 15 october 2023 indeed com south africa* - Aug 01 2022

web eligibility internal external closing date 27 10 2023 reference number hs 41 23 ext salary basic salary r220 458 per department city health dpsa vacancies department of health no experience government vacancies government general

worker admin administration sassa hospital dpsa browse jobs browse  
public service vacancy circular publication no 40 - Dec 05 2022

web 2 2 applicants must indicate the reference number of the vacancy in their applications 2 3 applicants requiring additional information regarding an advertised post must direct their enquiries to the department where the vacancy exists the department of public service and administration must not be approached for such information

department of health jobs in singapore oct 2023 jobstreet - May 30 2022

web find your ideal job at jobstreet with 801 department of health jobs found in all singapore view all our department of health vacancies now with new jobs added daily jobstreet job search myjobstreet company profiles career advice new for employers menu job search myjobstreet

*dpsa vacancies circular 41 friday 10 november 2023* - Apr 28 2022

web nov 10 2023 here the dpsa vacancies 41 friday 10 november 2023 national departments water and sanitation provincial administration gauteng kwazulu natal three the department of health in gauteng south africa is currently looking to fill three cleaner positions job seekers need to be holding grade 10 12 to apply

**other posts post 41 06 medical specialist ref no kpht 10 10 dpsa** - Jun 11 2023

web department of health it is the department s intention to promote equity through the filling of all numeric targets as contained in the employment equity plan to facilitate this process successfully an indication of race gender and disability status is required other posts post 41 06 medical specialist ref no kpht 10 10 directorate

career opportunities health promotion board - Feb 24 2022

web career opportunities sponsorships internship programmes scholarships i m glad to see my students making lifestyle modifications and efforts to improve their lives together with the support from my colleagues and supervisors in hpb i feel more motivated to perform my role as a student health advisor in schools

**public service vacancy circular minister of public service and** - Jan 06 2023

web jan 1 2021 applications on form z83 with full particulars of the applicants training qualifications competencies knowledge and experience on a separate sheet if necessary or a cv must be forwarded to the department in which the vacancy vacancies exist s applicants must indicate the reference number of the vacancy in their applications

**annexure r provincial administration gauteng department of health** - Feb 07 2023

web clarity it must be initialed and signed on the z83 the department where position was advertised it should state department of health according to department of public service and administration dpsa circular 19 of 2022 applicants are not required to submit copies of qualifications service certificate

**gauteng department of health vacancies govpage co za** - Nov 04 2022

web gauteng department of health vacancies z83 application form new z83 form editable new z83 form vacancies blog page  
gauteng health jobs scam warning subscribe for vacancies email updates

**vacancies national department of health** - Oct 03 2022

web chief director human resources for health may 2022 download chief director international health and development may  
2022 download chief financial officer may 2022 download environmental health practitioner grd 1 2posts may 2022 download  
chief director sector wide procurement re advert april 2022

department of health vacancies from dpsa circular 35 of 2023 - Sep 14 2023

web oct 16 2023 department of health vacancies from dpsa circular 35 of 2023 department of health it is the department s  
intension to promote equity race gender and disability through the filing of this post with a candidate whose transfer  
promotion appointment will promote representivity in line with the numeric targets as

**109x dpsa department of health vacancies 2024 new hiring** - Sep 02 2022

web nov 10 2023 the dpsa department of health vacancies 2024 presents a promising opportunity to enhance

**annexure i department of health minister of public** - Mar 08 2023

web applications the director general national department of health private bag x399 pretoria 0001 hand delivered  
application may be submitted at reception brown application box dr ab xuma building 1112 voortrekker rd pretoria  
townlands 351 jr or should be forwarded to recruitment health gov za

public service vacancy circular publication no 33 - Apr 09 2023

web department where position was advertised it should state department of health according to department of public  
service and administration dpsa circular 19 of 2022 applicants are not required to submit copies of qualifications and other  
relevant documents on application but must submit a

*ministry of health careers gov* - Mar 28 2022

web nov 14 2023 good health is one of the most important gifts we can give ourselves we aim to inspire our citizens to live  
well our role is to create policies programmes services and an ecosystem to encourage everyone to maintain good health  
reducing illness ensuring access to affordable quality healthcare and pursuing

**department of health vacancies dpsa circular 30 of 2023** - Oct 15 2023

web sep 11 2023 closing date 11 september 2023 note applications should be submitted on the new z83 form obtainable  
from any public service department and should be accompanied by a cv only previous experience must be comprehensively  
detailed

**john deere 450m 450m pre cutter 550m round balers technical manual** - Apr 30 2023

web description whats included keep your john deere 450m 450m pre cutter and 550m round balers running smoothly with

this comprehensive technical manual with over 200 pages of detailed diagrams illustrations and specifications it provides all the essential information you need to keep your equipment in top condition

*john deere 545 278165 and 550 290282 round balers* - Nov 25 2022

web this john deere 545 278165 and 550 290282 round balers omcc27550 operators and maintenance manual pdf download provides all the details necessary about operating and maintenance procedure it is compatible with all windows and mac versions and can be printed for unlimited copies it is delivered via download link after payment

john deere 450m 450m precutter and 550m round balers - Oct 05 2023

web into favorite illustrated technical service manual for john deere round balers models 450m 450m precutter and 550m this manual contains high quality images circuit diagrams instructions to help you to maintenance

*john deere hay and forage round balers models 540 545 550 570 580* - Feb 26 2023

web model 540 545 550 570 580 590 price us 69 00 complete diagnosis test service repair manual with electrical wiring diagrams for john deere 540 545 550 570 580 590 hay forage round balers with workshop information to maintain diagnose repair and service like professional mechanics

john deere 540 545 550 570 580 590 hay forage round baler - Aug 23 2022

web instant download john deere 540 545 550 570 580 590 hay forage round baler technical service repair manual tm3265 illustrated factory diagnostic and repair technical manual for john deere hay and forage round balers models 540 545 550 570 580 and 590 this manual contains high quality images circuit diagrams

**john deere 550 round baler operators manual download only** - Apr 18 2022

web stir emotions provoke thought and instigate transformation is truly remarkable this extraordinary book aptly titled john deere 550 round baler operators manual compiled by a very acclaimed author immerses readers in a captivating exploration of the significance of language and its profound effect on our existence

john deere 540 545 550 round baler parts catalog pc3179 - Jun 20 2022

web 550 price us 38 00 complete technical parts manual for john deere 540 545 550 round baler with all the oem parts information to maintain service and repair like professional mechanics product details total pages 543 pages file format pdf internal links bookmarked table of contents searchable printable high quality

**john deere 550m round baler worldwide edition parts catalog** - Mar 18 2022

web model 550m price us 35 00 complete technical parts manual for john deere 550m round baler worldwide edition with all the oem parts information to maintain service and repair like professional mechanics product details total pages 338 pages

**john deere 540 545 550 570 580 590 balers technical manual** - Jan 28 2023

web john deere 540 545 550 570 580 590 round balers all inclusive technical manual tm3265 pdf file service repair parts

catalog operation and maintenance pdf manual contains searchable text images bookmarks schematic and electrical diagrams instant download pdf software john deere pdf manual

**one series round balers 551m round baler john deere us** - Sep 23 2022

web home hay forage baling 551m round baler bale documentation with john deere operations center john deere moisture sensors and weighing system baler display with customizable user interface megawide pickup build your own find a dealer features specifications export to excel show more shop and buy build your own

john deere 550 specifications technical data 1995 1995 - Oct 25 2022

web john deere 550 specifications technical data 1995 1995 lectura specs rate this machine now demand for power take off min 44kw bale Ø from to 1 1 8m bale width from to 1 17m pick up width 1 41m standard tyres weight t technical specs buy rent valuate sell parts components events news transport

john deere 550 round balers service and repair manual - Jul 22 2022

web john deere 550 round balers service and repair manual 39 99 john deere manuals for your machinery will help you with maintenance and service on daily basis add to cart

*john deere 500 operators manual round baler ome5825115* - May 20 2022

web 9 95 factory operators manual for john deere round baler manual for owners and operators it contains important information and instructions for maintenance description of the functions and capabilities of the system description of possible faults problems and their solution add to basket lifetime free access instant downloads

**tm3265 john deere 540 545 550 570 580 590 hay forage round** - Jun 01 2023

web illustrated factory diagnostic and repair technical manual for john deere hay and forage round balers models 540 545 550 570 580 and 590 this manual contains high quality images circuit diagrams instructions to help you to maintenance troubleshooting diagnostic and repair your truck

*john deere 540 545 550 round balers service repair manual* - Feb 14 2022

web john deere 540 545 550 round balers service repair manual john deere 540 545 550 570 580 590 hay forage round balers service repair manual tm3265 this original factory manual includes detailed service repair information for the john deere 540 540a skidders repair technical manual tractors

**john deere 545 and 550 round hay baler manual farm manuals** - Mar 30 2023

web john deere 545 and 550 round hay baler manual product description this is the complete operator s manual for the john deere 545 and 550 round hay baler this owner s manual contains information on operating adjusting maintaining and troubleshooting for your jd round hay baler

**john deere round baler 545 550 operators manual agrimanuals** - Jul 02 2023



web john deere round baler 545 550 operators manual 34 99 stock status in stock add to your wish list information specifications reviews this operators manual gives advice on the operation of the machine the lubrication maintenance and safety aspects includes illustrations and diagrams to

*technical manual john deere 550 hay forage round balers* - Aug 03 2023

web technical manual john deere 550 hay forage round balers tm3265 the technical manual john deere 550 hay forage round balers all inclusive tm3265 provides an inclusive and comprehensive guide to the operation maintenance and troubleshooting for these balers

572 582 and 592 round balers john deere - Sep 04 2023

web round balers technical manual 572 582 and 592 round balers tm3294 17jul07 anglais john deere arc le s gray worldwide edition printed in germany dcg tm3294 preview only introduction oucc007 000150b 19 16jul07 1 1 foreword this manual is written for an experienced technician

preview only john deere - Dec 27 2022

web and 535 round balers technical manual 335 375 385 435 and 535 round balers tm1472 06nov95 english john deere ottumwa works tm1472 06nov95 litho in u s a english dc g preview only tm1472 06nov95 preview only

deutscher bankier hermann josef gestorben - Sep 23 2021

web kreuzworträtsel lösung für deutscher bankier hermann josef gestorben rätsel hilfe nach anzahl der buchstaben filtern durch bereits bekannte buchstaben die einfache

hermann josef abs banker und berater zdfmediathek - Apr 11 2023

web hermann josef abs war der einflussreichste deutsche bankenmanager und finanzdiplomat seiner zeit umstritten ist seine rolle im vorstand der deutschen bank

*der bankier hermann josef abs by lothar gall open library* - Jul 02 2022

web der bankier hermann josef abs by lothar gall 2004 c h beck edition in german deutsch

*hermann j abs banking reform nazi era financier* - Jan 08 2023

web hermann j abs in full hermann josef abs born oct 15 1901 bonn ger died feb 5 1994 bad soden german banker and a leading figure in the west german economic

der bankier hermann josef abs eine biographie request pdf - Jun 01 2022

web jul 1 2008 request pdf on jul 1 2008 simone lässig published der bankier hermann josef abs eine biographie find read and cite all the research you need on

hermann josef abs wikipedia - Aug 15 2023

web hermann josef abs 15 oktober 1901 in bonn 5 februar 1994 in bad soden am taunus war ein deutscher manager und

berater im nationalsozialistischen deutschland

*hermann josef abs wikipedia* - Feb 09 2023

web hermann josef abs born 15 october 1901 in bonn died 5 february 1994 in bad soden 1 was a leading german banker and advisor to chancellor adenauer he was a

**hermann josef abs der spiegel** - Dec 27 2021

web apr 25 1993 hermann josef abs 91 alt bankier und ehrenvorsitzender der deutschen bank hat wenig freude an seinem enkel edgar 38 die münchner buch billigkette

hermann josef abs and the third reich a man for all seasons - Nov 06 2022

web apr 1 2021 see czichon e der bankier und die macht hermann josef abs in der deutschen politik cologne 1970 p 146 and the partial judgement of the stuttgart

**der bankier hermann josef abs gall lothar** - May 12 2023

web lothar gall beschreibt in absolut fundierter weise frei von jeglichen tendenziösen ambitionen das leben und wirken dieses großen bankers hermann josef abs er

hermann josef abs der spiegel - Jan 28 2022

web hermann josef abs 05 01 1969 13 00 uhr aus der spiegel 1 1969 den die londoner financial times deutschlands berühmtesten bankier nennt hält die

der bankier hermann josef abs hardcover september 1 2004 - Nov 25 2021

web sep 1 2004 der bankier hermann josef abs gall lothar on amazon com free shipping on qualifying offers der bankier hermann josef abs

**der bankier hermann josef abs gall lothar amazon de bücher** - Mar 10 2023

web der mensch hermann josef abs bleibt weitgehend außen vor man erfährt fast nichts über ihn seine familie freunde oder privatleben darüber wie er zu weimar drittem reich

*der bankier hermann josef abs eine biographie google books* - Sep 04 2022

web der bankier hermann josef abs eine biographie lothar gall limited preview 2004

**der bankier hermann josef abs amazon com tr** - Mar 30 2022

web arama yapmak istediğiniz kategoriye seçin

**der bankier hermann josef abs eine biographie deepdyve** - Oct 05 2022

web jul 1 2008 lothar gall has achieved an impressive feat with this book on hermann josef abs who during his lifetime was said to be the most powerful man in germany by a

**der bankier hermann josef abs eine biographie kaset** - Feb 26 2022

web der bankier hermann josef abs eine biographie gall lothar amazon com tr Çerez tercihlerinizi seçin Çerez bildirimimizde detaylandırıldığı üzere satın alım yapmanızı

*hermann josef abs der spiegel* - Apr 30 2022

web hermann josef abs 58 bankier in frankfurt und rekordhalter in aufsichtsratssitzen äußerte sich vor 250 mitgliedern und gästen des arbeitskreises württemberg der

lothar gall der bankier hermann josef abs eine - Jul 14 2023

web mar 1 2005 christoph jahr bescheinigt lothar gall den lebensweg des regierenden bankiers der frühen bundesrepublik hermann josef abs souverän nachgezeichnet

**der bankier hermann josef abs eine biographie german** - Jun 13 2023

web jul 1 2008 he is an experienced biographer one of the protagonists of german research on the bourgeoisie and at the same time one of the most knowledgeable individuals on

**derbankierhermannjosefabs old arianavara** - Oct 25 2021

web der bankier und die macht hermann josef abs in der deutschen politik vorwort von george w f hallgarten hostile takeovers of large jewish companies 1933 1935

**biographien historische gesellschaft der deutschen bank** - Dec 07 2022

web verwurzelt im rheinischen kapitalismus als vorstand und schließlich vorstandssprecher der deutschen bank eng vernetzt mit den spitzen von politik und wirtschaft behielt

der bankier hermann josef abs by lothar gall open library - Aug 03 2022

web der bankier hermann josef abs by lothar gall c h beck verlag edition in german deutsch 1 auflage