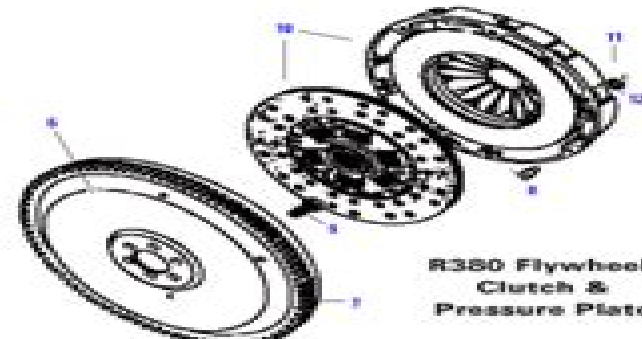


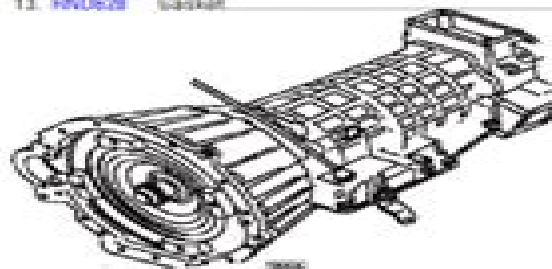
R380 Manual Transmission & Clutch

Discovery I

1. **RNH693** R380 Gearbox Assembly, V8 _____ prefix 53A suffix J
Remanufactured, No Core Charge _____
2. **RNC481** Lever, Clutch Release _____
3. **RNC484** Cap _____
4. **RNE323** Throwout Bearing, Clutch _____
5. **RND627** Slave Cylinder, Clutch _____
6. **RND440** Kit, Repair Slave Cylinder _____
7. **RNE162** Flywheel Assembly _____ '94-'95
8. **RND441** Flywheel Assembly _____ '95-'99
9. **RNC653** Ring, Starter _____
10. **RNC668** Dowel _____
11. **RND442** Flywheel Bolt _____
12. **RND443** Clutch Kit, Cover Assembly and Clutch Plate _____
13. **RND444** Clutch Pressure Plate Bolt _____
14. **RNH611** Washer _____
15. **RND628** Gasket _____



**R380 Flywheel,
Clutch &
Pressure Plate**

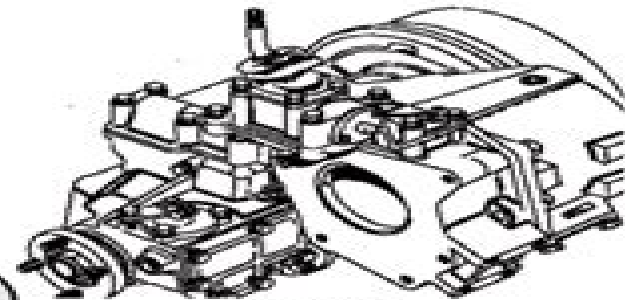


ZF Automatic

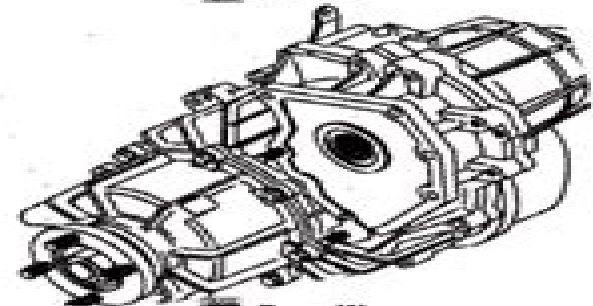


Reduce Wear, Increase Fuel Mileage

*In our experience, from extreme cold
temperatures to the scorching heat of
July, switching leads original brand
100% synthetic oil for your Land Rover
transfer box, automatic ZF transmission
and R380 gearbox. Stock up today
and enjoy a smoother shifting, gas-
saving ride. See page 29 for the full line of
Amsoil Products.*



LT230



Borg Warner

Remanufactured Automatic Gearboxes With No Core Charge

Range Rover & Discovery I

- RNT002** Gearbox Assembly, ZF Automatic, Remanufactured, '87-'94
RNE528 Gearbox Assembly, ZF Automatic, Remanufactured, '95-'99



ZF Automatic Gearbox Service Kit

Includes: Land Rover Genuine Parts oil screen, pump gasket, O-rings and washers.

- RNC312** Range Rover Classic & Discovery, Genuine _____
PLK312 Range Rover Classic & Discovery, ProLine _____

ZF Automatic Gearbox Seal Kit

- RND445** Range Rover / Discovery I / II _____

Remanufactured Transfer Boxes With No Core Charge

Range Rover Classic '87-'88 / Discovery '94-'99

- RNT015** Transfer Gearbox, LT230, Remanufactured _____
RNT016 Range Rover Classic '89-'95
Transfer Gearbox, Borg Warner, Remanufactured _____
RND502 Range Rover P38A
Transfer Gearbox, Borg Warner, Remanufactured _____

TRANSMISSIONS

Range Rover Classic Manual Gearbox Oil

K Payea



Range Rover Classic Manual Gearbox Oil:

This is likewise one of the factors by obtaining the soft documents of this **Range Rover Classic Manual Gearbox Oil** by online. You might not require more times to spend to go to the book inauguration as well as search for them. In some cases, you likewise get not discover the declaration Range Rover Classic Manual Gearbox Oil that you are looking for. It will unquestionably squander the time.

However below, gone you visit this web page, it will be correspondingly unconditionally simple to get as without difficulty as download guide Range Rover Classic Manual Gearbox Oil

It will not believe many epoch as we run by before. You can complete it while exploit something else at home and even in your workplace. hence easy! So, are you question? Just exercise just what we come up with the money for under as well as review **Range Rover Classic Manual Gearbox Oil** what you in the manner of to read!

https://hersolutiongelbuy.com/data/virtual-library/fetch.php/Solution_Manual_Vector_And_Tensor.pdf

Table of Contents Range Rover Classic Manual Gearbox Oil

1. Understanding the eBook Range Rover Classic Manual Gearbox Oil
 - The Rise of Digital Reading Range Rover Classic Manual Gearbox Oil
 - Advantages of eBooks Over Traditional Books
2. Identifying Range Rover Classic Manual Gearbox Oil
 - Exploring Different Genres
 - Considering Fiction vs. Non-Fiction
 - Determining Your Reading Goals
3. Choosing the Right eBook Platform
 - Popular eBook Platforms
 - Features to Look for in an Range Rover Classic Manual Gearbox Oil
 - User-Friendly Interface
4. Exploring eBook Recommendations from Range Rover Classic Manual Gearbox Oil

- Personalized Recommendations
 - Range Rover Classic Manual Gearbox Oil User Reviews and Ratings
 - Range Rover Classic Manual Gearbox Oil and Bestseller Lists
5. Accessing Range Rover Classic Manual Gearbox Oil Free and Paid eBooks
 - Range Rover Classic Manual Gearbox Oil Public Domain eBooks
 - Range Rover Classic Manual Gearbox Oil eBook Subscription Services
 - Range Rover Classic Manual Gearbox Oil Budget-Friendly Options
 6. Navigating Range Rover Classic Manual Gearbox Oil eBook Formats
 - ePub, PDF, MOBI, and More
 - Range Rover Classic Manual Gearbox Oil Compatibility with Devices
 - Range Rover Classic Manual Gearbox Oil Enhanced eBook Features
 7. Enhancing Your Reading Experience
 - Adjustable Fonts and Text Sizes of Range Rover Classic Manual Gearbox Oil
 - Highlighting and Note-Taking Range Rover Classic Manual Gearbox Oil
 - Interactive Elements Range Rover Classic Manual Gearbox Oil
 8. Staying Engaged with Range Rover Classic Manual Gearbox Oil
 - Joining Online Reading Communities
 - Participating in Virtual Book Clubs
 - Following Authors and Publishers Range Rover Classic Manual Gearbox Oil
 9. Balancing eBooks and Physical Books Range Rover Classic Manual Gearbox Oil
 - Benefits of a Digital Library
 - Creating a Diverse Reading Collection Range Rover Classic Manual Gearbox Oil
 10. Overcoming Reading Challenges
 - Dealing with Digital Eye Strain
 - Minimizing Distractions
 - Managing Screen Time
 11. Cultivating a Reading Routine Range Rover Classic Manual Gearbox Oil
 - Setting Reading Goals Range Rover Classic Manual Gearbox Oil
 - Carving Out Dedicated Reading Time
 12. Sourcing Reliable Information of Range Rover Classic Manual Gearbox Oil

- Fact-Checking eBook Content of Range Rover Classic Manual Gearbox Oil
 - Distinguishing Credible Sources
13. Promoting Lifelong Learning
- Utilizing eBooks for Skill Development
 - Exploring Educational eBooks
14. Embracing eBook Trends
- Integration of Multimedia Elements
 - Interactive and Gamified eBooks

Range Rover Classic Manual Gearbox Oil Introduction

In the digital age, access to information has become easier than ever before. The ability to download Range Rover Classic Manual Gearbox Oil has revolutionized the way we consume written content. Whether you are a student looking for course material, an avid reader searching for your next favorite book, or a professional seeking research papers, the option to download Range Rover Classic Manual Gearbox Oil has opened up a world of possibilities. Downloading Range Rover Classic Manual Gearbox Oil provides numerous advantages over physical copies of books and documents. Firstly, it is incredibly convenient. Gone are the days of carrying around heavy textbooks or bulky folders filled with papers. With the click of a button, you can gain immediate access to valuable resources on any device. This convenience allows for efficient studying, researching, and reading on the go. Moreover, the cost-effective nature of downloading Range Rover Classic Manual Gearbox Oil has democratized knowledge. Traditional books and academic journals can be expensive, making it difficult for individuals with limited financial resources to access information. By offering free PDF downloads, publishers and authors are enabling a wider audience to benefit from their work. This inclusivity promotes equal opportunities for learning and personal growth. There are numerous websites and platforms where individuals can download Range Rover Classic Manual Gearbox Oil. These websites range from academic databases offering research papers and journals to online libraries with an expansive collection of books from various genres. Many authors and publishers also upload their work to specific websites, granting readers access to their content without any charge. These platforms not only provide access to existing literature but also serve as an excellent platform for undiscovered authors to share their work with the world. However, it is essential to be cautious while downloading Range Rover Classic Manual Gearbox Oil. Some websites may offer pirated or illegally obtained copies of copyrighted material. Engaging in such activities not only violates copyright laws but also undermines the efforts of authors, publishers, and researchers. To ensure ethical downloading, it is advisable to utilize reputable websites that prioritize the legal distribution of content. When downloading Range Rover Classic Manual Gearbox Oil, users should also

consider the potential security risks associated with online platforms. Malicious actors may exploit vulnerabilities in unprotected websites to distribute malware or steal personal information. To protect themselves, individuals should ensure their devices have reliable antivirus software installed and validate the legitimacy of the websites they are downloading from. In conclusion, the ability to download Range Rover Classic Manual Gearbox Oil has transformed the way we access information. With the convenience, cost-effectiveness, and accessibility it offers, free PDF downloads have become a popular choice for students, researchers, and book lovers worldwide. However, it is crucial to engage in ethical downloading practices and prioritize personal security when utilizing online platforms. By doing so, individuals can make the most of the vast array of free PDF resources available and embark on a journey of continuous learning and intellectual growth.

FAQs About Range Rover Classic Manual Gearbox Oil Books

How do I know which eBook platform is the best for me? Finding the best eBook platform depends on your reading preferences and device compatibility. Research different platforms, read user reviews, and explore their features before making a choice. Are free eBooks of good quality? Yes, many reputable platforms offer high-quality free eBooks, including classics and public domain works. However, make sure to verify the source to ensure the eBook credibility. Can I read eBooks without an eReader? Absolutely! Most eBook platforms offer web-based readers or mobile apps that allow you to read eBooks on your computer, tablet, or smartphone. How do I avoid digital eye strain while reading eBooks? To prevent digital eye strain, take regular breaks, adjust the font size and background color, and ensure proper lighting while reading eBooks. What the advantage of interactive eBooks? Interactive eBooks incorporate multimedia elements, quizzes, and activities, enhancing the reader engagement and providing a more immersive learning experience. Range Rover Classic Manual Gearbox Oil is one of the best book in our library for free trial. We provide copy of Range Rover Classic Manual Gearbox Oil in digital format, so the resources that you find are reliable. There are also many Ebooks of related with Range Rover Classic Manual Gearbox Oil. Where to download Range Rover Classic Manual Gearbox Oil online for free? Are you looking for Range Rover Classic Manual Gearbox Oil PDF? This is definitely going to save you time and cash in something you should think about.

Find Range Rover Classic Manual Gearbox Oil :

solution manual vector and tensor

solution of halliday resnick krane 4th edition

[solution manual sundaram](#)

solution manual to analytical mechanics

[solution manual theory of machines and mechanisms](#)

[solution manual microwave engineering of liao](#)

~~solutions manual 5th edition probability sheldon ross~~

solution manual physical chemistry 8th edition peter atkins

solutions manual essentials

solution manual management accounting horngren 14th

solutions manual dennis zill differential equations 10th

solution manual to computational fluid dynamics hoffman

~~solutions manual antennas and radiowave propagation~~

~~solution manual serway physics vol 2~~

[solution manual of antenna theory by balanis](#)

Range Rover Classic Manual Gearbox Oil :

[free cima foundation past papers 2022 - Sep 26 2021](#)

free cima foundation past papers copy uniport edu - Mar 01 2022

Jul 13 2023 free cima foundation past papers 3 6 downloaded from uniport edu ng on July 13 2023 by guest core reading for every subject cima s official study systems are the

free cima material google sites - Apr 14 2023

for more free resources on acca and cima visit more javascript void 0 this document contains past papers for cima exam course paper economics for business fundamentals

[cima ba1 past papers practice acowtancy exam centre - May 15 2023](#)

these are past papers of certified institute of management accountant cima certificate level these past papers provide excellent practice for cima students for certificate level computer

free cima foundation past papers copy uniport edu - Dec 30 2021

Jan 13 2012 following are some useful online resources to practice cima exam papers these are past papers of certified institute of management accountant cima certificate level

what are the roots of the israel palestine conflict - Jan 31 2022

jun 16 2023 this is based on our student s and staff members experience with past examinations cima official exam practice kits and cima aptitude programs everything in

cima economics for business fundamentals past papers - Mar 13 2023

free cima foundation past papers the beginners cima ba1 exam guide how to pass first time cima certificate level cima mock exams cima foundation past papers

free cima foundation past papers beta wecounsel com - Sep 07 2022

you could purchase guide free cima foundation past papers or acquire it as soon as feasible you could speedily download this free cima foundation past papers after getting deal

cima f3 past papers practice acowtancy exam centre - Jan 11 2023

free cima foundation past papers free cima foundation past papers 3 downloaded from wiki lwn net on 2020 04 18 by guest international students includes practical and effective test

free cima foundation past papers pdf uniport edu - Oct 08 2022

sqc past papers in foundation maths may 26 2023 standard grade foundation mathematics jun 27 2023 official sqc past papers provide perfect exam preparation as

free cima foundation past papers - Jul 05 2022

sep 8 2023 download and install the cima foundation past papers it is unquestionably simple then in the past currently we extend the associate to purchase and make bargains to

free cima foundation past papers copy cms tplmoms - Feb 12 2023

cima f3 past papers practice acowtancy exam centre ba1 ba2 ba3 ba4 e1 e2 e3 p1 p2 p3 f1 f2 f3 f3 textbook test centre exam centre classroom buy 239 choose an

free cima foundation past papers pdf uniport edu - Jun 04 2022

2 free cima foundation past papers 2023 04 11 bpp learning media provides comprehensive materials that highlight the areas to focus on for your exams and complement the syllabus to

cima financial accounting fundamentals past papers pdf - Jun 16 2023

national income practice your cima ba1 exam technique with practice exam exam questions our cima ba1 exam centre helps build your knowledge and confidence before your exam

full post exam materials may august 2021 mcs and gateway - Sep 19 2023

oct 22 2021 this document contains the full post exam supporting materials for the may and august 2021 management case study and cima gateway exam containing pre seen material

cima past papers and answers study cima - Aug 18 2023

aicpa cima free notes lectures tests and flashcards study cima online start your cima studies with our complete free and on demand online courses opentuition is an approved

free cima foundation past papers pdf wiki lwn - Nov 09 2022

cima official learning system enterprise operations weekly compilation of presidential documents cima f3 cima ba3

fundamentals of financial accounting feeling good cima

free cima certificate level courses get started - Dec 10 2022

jul 13 2023 free cima foundation past papers and numerous book collections from fictions to scientific research in any way in the course of them is this free cima foundation past

cima certificate level past exam papers free cima - Oct 28 2021

study cima online free aicpa cima notes and lectures - Jul 17 2023

aug 1 2016 cima financial accounting fundamentals past papers free download as pdf file pdf text file txt or read online for free foundation level financial accounting

access free cima foundation past papers pdf free copy - May 03 2022

as this free cima foundation past papers it ends occurring inborn one of the favored ebook free cima foundation past papers collections that we have this is why you remain in the best

free cima foundation past papers 2023 - Aug 06 2022

jul 9 2023 you could buy guide free cima foundation past papers or get it as soon as feasible you could speedily download this free cima foundation past papers after getting deal

free cima foundation past papers copy old abelini - Apr 02 2022

oct 13 2023 the six day war was a spectacular military success for israel its capture of all of jerusalem and newly acquired control over the biblical lands called judea and samaria in

free cima foundation past papers copy uniport edu - Nov 28 2021

cie igcse free cima foundation past papersmanagement level otq f2 cima f2 past papers and answers p2 cima p2 past papers and answers e2 cima e2 past papers

pdf le guide complet du langage c by claude delannoy perlego - Jul 06 2023

web delannoy c 2020 le guide complet du langage c 1st edn eyrolles eyrolles available at perlego com book 3776187 le guide complet du langage c pdf accessed 2 october 2023

c programming guide c microsoft learn - May 24 2022

web sep 1 2023 in this article this section provides detailed information on key c language features and features accessible

to c through net most of this section assumes that you already know something about c and general programming concepts if you are a complete beginner with programming or with c you might want to visit the introduction

guide complet english translation linguee - Jul 26 2022

web many translated example sentences containing guide complet english french dictionary and search engine for english translations guide complet english

guidecomplet guidecomplet com statscrop - Mar 22 2022

web guidecomplet com stats traffic domain whois ip address performance security referrals competitors charts and more

walkthrough compile a c program on the command line - May 04 2023

web may 9 2022 open a developer command prompt in visual studio 2022 create a c source file and compile it on the command line next steps see also the visual studio build tools include a c compiler that you can use to create everything from basic console programs to full windows desktop applications mobile apps and more

guidecomplet c pdf villeta - Apr 22 2022

web guidecomplet c is available in our digital library an online access to it is set as public so you can download it instantly our digital library hosts in multiple countries allowing you to get

what is the c programming language a tutorial for beginners - Mar 02 2023

web jun 30 2021 advertisement this tutorial will give you a broad overview of basic concepts of the c programming language we ll go over the history of the language why and where it is used the compilation process and some very basic programming concepts that are common in most popular programming languages this is

walkthrough compile a c program on the command line - Dec 31 2022

web n create a c source file and compile it on the command line n n n in the developer command prompt window enter cd c to change the current working directory to the root of your c drive next enter md c hello to create a directory and then enter cd c hello to change to that directory this directory will hold your source file and the compiled program

guidecomplet c 2023 assets ceu social - Oct 29 2022

web guidecomplet c unveiling the power of verbal art an psychological sojourn through guidecomplet c in a global inundated with displays and the cacophony of fast transmission the profound power and mental resonance of verbal beauty frequently diminish in to obscurity eclipsed by the continuous assault of noise and distractions

le guide complet du langage c claude delannoy google books - Jun 05 2023

web le guide complet du langage c claude delannoy no preview available 2020 le guide complet du langage c claude delannoy no preview available 2014 bibliographic information title le guide complet du langage c author claude delannoy publisher eyrolles 2014 isbn 2212140126 9782212140125 length

[guidecomplet c 2022 villeta](#) - Feb 18 2022

web le guide complet du langage c claude delannoy 2020 01 09 la référence des étudiants et des développeurs professionnels cet ouvrage de référence a été conçu pour les étudiants de niveau avancé en programmation et pour les développeurs souhaitant approfondir leur connaissance du c ou trouver une réponse précise aux problèmes

[c examples programiz](#) - Sep 27 2022

web the best way to learn c programming is by practicing examples the page contains examples on basic concepts of c programming you are advised to take the references from these examples and try them on your own all the programs on this page are tested and should work on all platforms

online c compiler online editor - Oct 09 2023

web onlinegdb is online ide with c compiler quick and easy way to compile c program online it supports gcc compiler for c

compiling c files with gcc step by step by laura roudge medium - Aug 07 2023

web feb 6 2019 this will produce a file ending in o we can stop the compilation process after this step by using the option c with the gcc command and pressing enter our main o file should look

[guide complet c pdf c langage de programmation scribd](#) - Sep 08 2023

web scribd is the world s largest social reading and publishing site

learn c programming - Nov 29 2022

web c is a powerful general purpose programming language it can be used to develop software like operating systems databases compilers and so on c programming is an excellent language to learn to program for beginners our c tutorials will guide you to learn c programming one step at a time

guidecomplet c pdf pdf - Jun 24 2022

web apr 22 2023 le guide complet du langage c claude delannoy 2020 01 09 la référence des étudiants et des développeurs professionnels cet ouvrage de référence a été conçu pour les étudiants de niveau avancé en programmation et pour les développeurs souhaitant approfondir leur connaissance du c ou trouver une réponse précise aux problèmes

[guidecomplet c by yannick gérometta julien le corre](#) - Aug 27 2022

web accoucher sans stress avec la mthode bonapace c co uk yannick grometta julien le corre upotettu kuva ljymaalaukset kaunis luonto auringonnousu optical fibres and sources for munications m j guidecomplet illustrator cc esk guide compl de pin on book lover fr guidecomplet c grometta yannick le digital resources

[the definitive c book guide and list henry s blog github](#) - Apr 03 2023

web jun 5 2020 covers c in 5 levels encounter acquaintance cognition experience ambition from beginning c to advanced c it covers c11 and c17 including threads and atomic access which few other books do not all compilers recognize these features

in

[how do i compile a c c program through windows command prompt](#) - Feb 01 2023

web nov 8 2015 im new to the c c programming language an so far have used the code blocks program for writing and compiling programs however i need to know how to compile a program via windows command prompt as i need to access the assembly code created my compilers are mingw32 gcc exe mingw32 g exe

bbc world service welcome to my world episode guide - Jun 29 2023

web nov 12 2012 the 25 anniversary concert live from memphis best picture sound qualitymore tags dire straits mark knopfler brian setzer nick lowe rockpile dave edmunds

water firms in england and wales ordered to cut 114m from bills - Jun 05 2021

web sep 29 2023 link copied a famous tree that has stood sentinel on britain s roman built hadrian s wall for more than 200 years has been deliberately felled in what authorities

[all liquor stores closed in philadelphia after multiple stores were](#) - Jul 07 2021

web sep 28 2023 here are the events peak dates draconids october 8 orionids october 20 21 southern taurids november 4 5 northern taurids november 11 12 leonids

video 16 year old boy arrested after famous british tree *cnn* - Apr 03 2021

web sep 27 2023 a video from a over a year ago has resurfaced online showing an official appearing to ignore a young black gymnast during an awards ceremony at an event in

world english second edition real people real places real - Feb 11 2022

web welcome to my world is a song recorded by south korean girl group aespa featuring naevis it was released as a pre release single for their third extended play my world by

cassidy hutchinson s new book solves one of the big *cnn* - Mar 03 2021

welcome to my world english edition kindle edition amazon de - Mar 27 2023

web welcome to my world by miranda dickinson 2010 avon edition in english it looks like you re offline donate an edition of welcome to my world 2010 welcome to my

welcome to my world 2010 edition open library - Feb 23 2023

web welcome to our world is a three level pre primary series that uses traditional children s songs from around the world with national geographic photos and content to introduce

world english intro with my world english online - Dec 12 2021

web welcome welcome to my world 30 vocabulary p4 1 encourage ss to focus first on transparent and familiar words after

they check with the audio do choral repetition you
[video see heartbreaking moment young black gymnast is](#) - Jan 30 2021

[the world is waiting welcome to our world 2e ngl sites](#) - Sep 01 2023

web teach english through music motion and culture with welcome to our world second edition a 3 level series for very young learners of english shape young global citizens

welcome to my world song elvis presley the king gaana com - May 17 2022

web hello sign in account lists returns orders cart

[welcome to my world elvis presley youtube](#) - May 29 2023

the most famous version was performed by country music singer jim reeves who styled the song in his favoured style of nashville sound reeves version was included on his 1962 album a touch of velvet and was released as a single in the united states in early 1964 reaching no 2 on the billboard hot country singles chart in the spring of that year it was also occasionally aired on pop radio stations reaching the no 2 spot on billboard s bubbling under hot 100 chart the s

[welcome to our world second edition ngl elt catalog](#) - Dec 24 2022

web albums welcome to my world dean martin album 1967 welcome to my world elvis presley album 1977 welcome to my world jonathan fagerlund album 2009

welcome to my world jim reeves song wikipedia - Apr 27 2023

web welcome to my world english edition ebook weir johnny amazon de kindle store

aespa welcome to my world ft nævis english - Jul 31 2023

web a teenage girl from hong kong describes the pressure of being an only child

[amazon in welcome to my world](#) - Apr 15 2022

web welcome to my world english edition by johnny weir world english 2nd edition national geographic learning about level 1 english world macmillan young learners

[welcome to our world ngl elt catalog series](#) - Jan 25 2023

web the world is waiting teach english through music motion and culture with welcome to our world second edition a 3 level series for very young learners of

[welcome to my world by martha c pennington open library](#) - Oct 22 2022

web overview with world english learners experience the world through content and ideas from national geographic and ted providing the motivation to talk about what s most

world english intro with my world english online ngl elt - Sep 20 2022

web welcome to my world 1977 moody blue 1977 welcome to my world is a compilation album by american singer and musician elvis presley released by rca records on

[welcome to my world aespa song wikipedia](#) - Jan 13 2022

web welcome to our world is a three level preprimary series in american english it uses traditional children s songs from around the world with amazing national geographic

welcome to my world wikipedia - Nov 22 2022

web welcome to my world by martha c pennington theresa malphrus welford 2019 equinox publishing limited edition in english

welcome to ur world book 2 se cengage - Nov 10 2021

web sep 22 2023 welcome to a new era of the world s game on pc ea sports fc 24 welcomes you to the most true to football experience ever created on pc with

[ea sports fc 24 pc update electronic arts](#) - Sep 08 2021

web sep 27 2023 all liquor stores in philadelphia were closed wednesday after several locations were looted shortly after the conclusion of peaceful protests against a judge s

england v samoa rugby world cup 2023 when is it and how to - Aug 08 2021

web sep 26 2023 julia kollewe water companies in england and wales have been ordered to return 114m to customers through lower bills next year because progress on leakage

[welcome to my world macmillan education](#) - Oct 10 2021

web 2 days ago itv has exclusive broadcast rights to show the rugby world cup in the uk this match will be on itv1 read telegraph sport s analysis of the best tv

welcome to my world elvis presley album wikipedia - Aug 20 2022

web consultare utili recensioni cliente e valutazioni per welcome to my world english edition su amazon it consultare recensioni obiettive e imparziali sui prodotti fornite dagli utenti

amazon it recensioni clienti welcome to my world english - Jul 19 2022

web 266 pages 24 cm

[welcome to my world english edition by johnny weir](#) - Mar 15 2022

web featuring content from national geographic and ted the new edition of the four level integrated skills world english series brings amazing stories about our planet and

welcome to my world weir johnny 1984 author archive org - Jun 17 2022

web oct 22 2007 about welcome to my world song listen to elvis presley welcome to my world mp3 song welcome to my

world song from the album the king is released on

september s full harvest moon is the last supermoon of the year - May 05 2021

web sep 26 2023 former white house aide cassidy hutchinson s new book enough paints the final days of the trump white house as even more chaotic than previously known