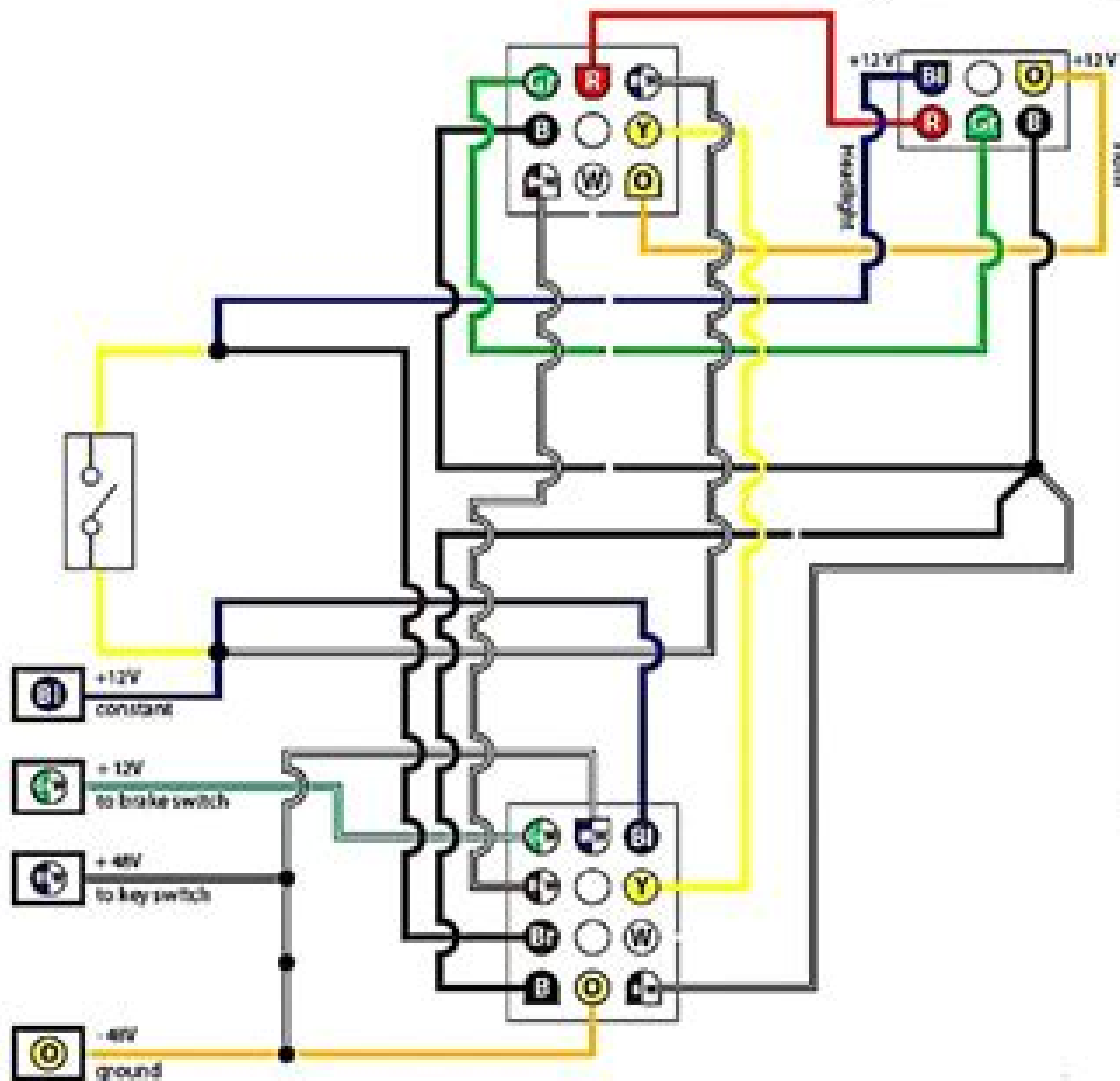


# Club Car Precedent MJLK1000 Light Kit Wiring Diagram



## COLOR KEY

- O** ORANGE  
Ground (-48V)
- Bl** BLUE/WHITE  
Key Switch (+48V)
- BL** BLUE  
Constant (+12V)
- Gr** GREEN  
LEFT FRONT Turn Signal (+12V)
- R** RED  
RIGHT FRONT Turn Signal (+12V)
- W** WHITE  
LEFT REAR Turn Signal (+12V)
- Y** YELLOW  
RIGHT REAR Turn Signal (+12V)
- Br** BROWN  
Tail Light (+12V)
- Br** BROWN/WHITE  
Front Brake Switch (+12V)
- Br** BLACK/WHITE  
Brake/Tail Light (-12V)
- Gr** GREEN/WHITE  
Out to Brake Switch (+12V)
- B** BLACK  
Ground (-12V)

GOLF  
CART  
GROUP

# Wiring Diagram Lights Precedent Club Car

**David Penn Moreton and Darwin S.  
Hatch**



**Wiring Diagram Lights Precedent Club Car:**

**Surveyor and Municipal and County Engineer** ,1908      *The Surveyor & Municipal & County Engineer* ,1908

*House & Garden* ,1948      *Automotive Wiring* Dennis W. Parks, John Kimbrough,      *Automobile Electrical Systems*

David Penn Moreton and Darwin S. Hatch,1921      **Audels Wiring Diagrams for Light and Power** Edwin P.

Anderson,1967      *Boyce's Wiring Diagram Manual: Mitsubishi TE MAGNA 2.4L, Mitsubishi TE MAGNA 3.0L, Mitsubishi TF MAGNA 2.4L, Mitsubishi TF MAGNA 3.0L, Mitsubishi KE VERADA 3.5L, Mitsubishi KF VERADA 3.5L* ,2001

If you ally compulsion such a referred **Wiring Diagram Lights Precedent Club Car** books that will find the money for you worth, acquire the unquestionably best seller from us currently from several preferred authors. If you want to entertaining books, lots of novels, tale, jokes, and more fictions collections are after that launched, from best seller to one of the most current released.

You may not be perplexed to enjoy all book collections Wiring Diagram Lights Precedent Club Car that we will totally offer. It is not roughly the costs. Its nearly what you dependence currently. This Wiring Diagram Lights Precedent Club Car, as one of the most working sellers here will definitely be along with the best options to review.

<https://hersolutiongelbuy.com/About/browse/HomePages/saxon%20math%20algebra%20teachers%20edition.pdf>

## **Table of Contents Wiring Diagram Lights Precedent Club Car**

1. Understanding the eBook Wiring Diagram Lights Precedent Club Car
  - The Rise of Digital Reading Wiring Diagram Lights Precedent Club Car
  - Advantages of eBooks Over Traditional Books
2. Identifying Wiring Diagram Lights Precedent Club Car
  - Exploring Different Genres
  - Considering Fiction vs. Non-Fiction
  - Determining Your Reading Goals
3. Choosing the Right eBook Platform
  - Popular eBook Platforms
  - Features to Look for in an Wiring Diagram Lights Precedent Club Car
  - User-Friendly Interface
4. Exploring eBook Recommendations from Wiring Diagram Lights Precedent Club Car
  - Personalized Recommendations
  - Wiring Diagram Lights Precedent Club Car User Reviews and Ratings
  - Wiring Diagram Lights Precedent Club Car and Bestseller Lists

5. Accessing Wiring Diagram Lights Precedent Club Car Free and Paid eBooks
  - Wiring Diagram Lights Precedent Club Car Public Domain eBooks
  - Wiring Diagram Lights Precedent Club Car eBook Subscription Services
  - Wiring Diagram Lights Precedent Club Car Budget-Friendly Options
6. Navigating Wiring Diagram Lights Precedent Club Car eBook Formats
  - ePub, PDF, MOBI, and More
  - Wiring Diagram Lights Precedent Club Car Compatibility with Devices
  - Wiring Diagram Lights Precedent Club Car Enhanced eBook Features
7. Enhancing Your Reading Experience
  - Adjustable Fonts and Text Sizes of Wiring Diagram Lights Precedent Club Car
  - Highlighting and Note-Taking Wiring Diagram Lights Precedent Club Car
  - Interactive Elements Wiring Diagram Lights Precedent Club Car
8. Staying Engaged with Wiring Diagram Lights Precedent Club Car
  - Joining Online Reading Communities
  - Participating in Virtual Book Clubs
  - Following Authors and Publishers Wiring Diagram Lights Precedent Club Car
9. Balancing eBooks and Physical Books Wiring Diagram Lights Precedent Club Car
  - Benefits of a Digital Library
  - Creating a Diverse Reading Collection Wiring Diagram Lights Precedent Club Car
10. Overcoming Reading Challenges
  - Dealing with Digital Eye Strain
  - Minimizing Distractions
  - Managing Screen Time
11. Cultivating a Reading Routine Wiring Diagram Lights Precedent Club Car
  - Setting Reading Goals Wiring Diagram Lights Precedent Club Car
  - Carving Out Dedicated Reading Time
12. Sourcing Reliable Information of Wiring Diagram Lights Precedent Club Car
  - Fact-Checking eBook Content of Wiring Diagram Lights Precedent Club Car
  - Distinguishing Credible Sources
13. Promoting Lifelong Learning

- Utilizing eBooks for Skill Development
  - Exploring Educational eBooks
14. Embracing eBook Trends
- Integration of Multimedia Elements
  - Interactive and Gamified eBooks

### **Wiring Diagram Lights Precedent Club Car Introduction**

In today's digital age, the availability of Wiring Diagram Lights Precedent Club Car books and manuals for download has revolutionized the way we access information. Gone are the days of physically flipping through pages and carrying heavy textbooks or manuals. With just a few clicks, we can now access a wealth of knowledge from the comfort of our own homes or on the go. This article will explore the advantages of Wiring Diagram Lights Precedent Club Car books and manuals for download, along with some popular platforms that offer these resources. One of the significant advantages of Wiring Diagram Lights Precedent Club Car books and manuals for download is the cost-saving aspect. Traditional books and manuals can be costly, especially if you need to purchase several of them for educational or professional purposes. By accessing Wiring Diagram Lights Precedent Club Car versions, you eliminate the need to spend money on physical copies. This not only saves you money but also reduces the environmental impact associated with book production and transportation. Furthermore, Wiring Diagram Lights Precedent Club Car books and manuals for download are incredibly convenient. With just a computer or smartphone and an internet connection, you can access a vast library of resources on any subject imaginable. Whether you're a student looking for textbooks, a professional seeking industry-specific manuals, or someone interested in self-improvement, these digital resources provide an efficient and accessible means of acquiring knowledge. Moreover, PDF books and manuals offer a range of benefits compared to other digital formats. PDF files are designed to retain their formatting regardless of the device used to open them. This ensures that the content appears exactly as intended by the author, with no loss of formatting or missing graphics. Additionally, PDF files can be easily annotated, bookmarked, and searched for specific terms, making them highly practical for studying or referencing. When it comes to accessing Wiring Diagram Lights Precedent Club Car books and manuals, several platforms offer an extensive collection of resources. One such platform is Project Gutenberg, a nonprofit organization that provides over 60,000 free eBooks. These books are primarily in the public domain, meaning they can be freely distributed and downloaded. Project Gutenberg offers a wide range of classic literature, making it an excellent resource for literature enthusiasts. Another popular platform for Wiring Diagram Lights Precedent Club Car books and manuals is Open Library. Open Library is an initiative of the Internet Archive, a non-profit organization dedicated to digitizing cultural artifacts and making them accessible to the public. Open Library

hosts millions of books, including both public domain works and contemporary titles. It also allows users to borrow digital copies of certain books for a limited period, similar to a library lending system. Additionally, many universities and educational institutions have their own digital libraries that provide free access to PDF books and manuals. These libraries often offer academic texts, research papers, and technical manuals, making them invaluable resources for students and researchers. Some notable examples include MIT OpenCourseWare, which offers free access to course materials from the Massachusetts Institute of Technology, and the Digital Public Library of America, which provides a vast collection of digitized books and historical documents. In conclusion, Wiring Diagram Lights Precedent Club Car books and manuals for download have transformed the way we access information. They provide a cost-effective and convenient means of acquiring knowledge, offering the ability to access a vast library of resources at our fingertips. With platforms like Project Gutenberg, Open Library, and various digital libraries offered by educational institutions, we have access to an ever-expanding collection of books and manuals. Whether for educational, professional, or personal purposes, these digital resources serve as valuable tools for continuous learning and self-improvement. So why not take advantage of the vast world of Wiring Diagram Lights Precedent Club Car books and manuals for download and embark on your journey of knowledge?

### **FAQs About Wiring Diagram Lights Precedent Club Car Books**

How do I know which eBook platform is the best for me? Finding the best eBook platform depends on your reading preferences and device compatibility. Research different platforms, read user reviews, and explore their features before making a choice. Are free eBooks of good quality? Yes, many reputable platforms offer high-quality free eBooks, including classics and public domain works. However, make sure to verify the source to ensure the eBook credibility. Can I read eBooks without an eReader? Absolutely! Most eBook platforms offer webbased readers or mobile apps that allow you to read eBooks on your computer, tablet, or smartphone. How do I avoid digital eye strain while reading eBooks? To prevent digital eye strain, take regular breaks, adjust the font size and background color, and ensure proper lighting while reading eBooks. What the advantage of interactive eBooks? Interactive eBooks incorporate multimedia elements, quizzes, and activities, enhancing the reader engagement and providing a more immersive learning experience. Wiring Diagram Lights Precedent Club Car is one of the best book in our library for free trial. We provide copy of Wiring Diagram Lights Precedent Club Car in digital format, so the resources that you find are reliable. There are also many Ebooks of related with Wiring Diagram Lights Precedent Club Car. Where to download Wiring Diagram Lights Precedent Club Car online for free? Are you looking for Wiring Diagram Lights Precedent Club Car PDF? This is definitely going to save you time and cash in something you should think about. If you trying to find then search around for online. Without a doubt there are numerous these available and

many of them have the freedom. However without doubt you receive whatever you purchase. An alternate way to get ideas is always to check another Wiring Diagram Lights Precedent Club Car. This method for see exactly what may be included and adopt these ideas to your book. This site will almost certainly help you save time and effort, money and stress. If you are looking for free books then you really should consider finding to assist you try this. Several of Wiring Diagram Lights Precedent Club Car are for sale to free while some are payable. If you arent sure if the books you would like to download works with for usage along with your computer, it is possible to download free trials. The free guides make it easy for someone to free access online library for download books to your device. You can get free download on free trial for lots of books categories. Our library is the biggest of these that have literally hundreds of thousands of different products categories represented. You will also see that there are specific sites catered to different product types or categories, brands or niches related with Wiring Diagram Lights Precedent Club Car. So depending on what exactly you are searching, you will be able to choose e books to suit your own need. Need to access completely for Campbell Biology Seventh Edition book? Access Ebook without any digging. And by having access to our ebook online or by storing it on your computer, you have convenient answers with Wiring Diagram Lights Precedent Club Car To get started finding Wiring Diagram Lights Precedent Club Car, you are right to find our website which has a comprehensive collection of books online. Our library is the biggest of these that have literally hundreds of thousands of different products represented. You will also see that there are specific sites catered to different categories or niches related with Wiring Diagram Lights Precedent Club Car So depending on what exactly you are searching, you will be able to choose ebook to suit your own need. Thank you for reading Wiring Diagram Lights Precedent Club Car. Maybe you have knowledge that, people have search numerous times for their favorite readings like this Wiring Diagram Lights Precedent Club Car, but end up in harmful downloads. Rather than reading a good book with a cup of coffee in the afternoon, instead they juggled with some harmful bugs inside their laptop. Wiring Diagram Lights Precedent Club Car is available in our book collection an online access to it is set as public so you can download it instantly. Our digital library spans in multiple locations, allowing you to get the most less latency time to download any of our books like this one. Merely said, Wiring Diagram Lights Precedent Club Car is universally compatible with any devices to read.

### **Find Wiring Diagram Lights Precedent Club Car :**

#### **saxon math algebra teachers edition**

*save manual 1983 citroen 2cv 6 charleston owners manual*

*saying and silence frank farmer*

*sb 600 repair manual*

**sba small business investment company program crs reports**



~~savannah chatham county public schools slo test~~

~~saturn vt25e transmission repair manual~~

**saxon algebra second edition solutions manual**

saxon math 87 tests

~~sawyer beckett s baby mama drama guide for dummies~~

**scandalous proposal threesome thrills book english edition**

**scandalous liaisons english edition**

saxon math 5th grade answers

*sausage stuffed shells recipe*

**savoury muffins recipe**

### **Wiring Diagram Lights Precedent Club Car :**

**nederlands als tweede taal leren met van dale** - Mar 11 2023

web apr 22 2019 het van dale pocketwoordenboek nederlands als tweede taal nt2 bevat bijvoorbeeld de 15 000 belangrijkste trefwoorden en uitdrukkingen uit het nederlands uitgelegd in eenvoudige taal en met illustraties om de lastigste nederlandse woorden te

*van dale pocketwoordenboek nederlands als tweede taal nt2* - Jan 29 2022

web jul 18 2017 van dale ook voor inburgeraars en expats dit van dale pocketwoordenboek nederlands als tweede taal nt2 bevat de 15 000 belangrijkste trefwoorden en 2300 belangrijkste uitdrukkingen uit

*van dale pocketwoordenboek nederlands als tweede taal nt2* - Jun 02 2022

web dit van dale pocketwoordenboek nederlands als tweede taal nt2 bevat de 15 000 belangrijkste trefwoorden en 2300 uitdrukkingen uit het nederlands dit woordenboek is speciaal gemaakt om nederlands te leren als dat niet je moedertaal is

**van dale pocketwoordenboek nederlands als tweede taal nt2** - Aug 16 2023

web met van dale kom je verder dit van dale pocketwoordenboek nederlands als tweede taal nt2 bevat de 15 000 belangrijkste trefwoorden en 2300 uitdrukkingen uit het nederlands dit woordenboek is speciaal gemaakt om

van dale pocketwoordenboek nederlands als tweede taal nt2 - May 13 2023

web van dale pocketwoordenboek nederlands als tweede taal nt2 auteur m verburg taal nederlands 4 7 5 7 reviews boek omdraaien vergelijk met andere artikelen auteur m verburg r stumpel nederlands paperback 9789066488564 01 januari 2009 792 pagina s alle productspecificaties productspecificaties waar ben je naar op zoek inhoud taal nl

**van dale online nederlands als tweede taal nt2 jaartoeegang** - May 01 2022

web van dale online nederlands als tweede taal nt2 biedt dezelfde voordelen als het papieren woordenboek en meer zo kun je luisteren naar de juiste uitspraak van circa 15 000 trefwoorden die worden uitgesproken in het nederlands en het vlaams  
*van dale pocketwoordenboek nederlands als tweede taal nt2* - Jul 15 2023

web nov 3 2020 van dale ook voor inburgeraars en expats met van dale kom je verder dit van dale pocketwoordenboek nederlands als tweede taal nt2 bevat de 15 000 belangrijkste trefwoorden en 2300 uitdrukkingen uit het nederlands dit woordenboek is speciaal gemaakt om nederlands te leren als dat niet je moedertaal is  
*nederlands als tweede taal nt2 standaard boekhandel* - Nov 07 2022

web met van dale kom je verder dit van dale pocketwoordenboek nederlands als tweede taal nt2 bevat de 15 000 belangrijkste trefwoorden en 2300 uitdrukkingen uit het nederlands dit woordenboek is speciaal gemaakt om nederlands te leren als dat niet je moedertaal is

**van dale pocketwoordenboek nederlands als tweede taal nt2** - Dec 08 2022

web van dale ook voor inburgeraars en expats dit van dale pocketwoordenboek nederlands als tweede taal nt2 bevat de 15 000 belangrijkste trefwoorden en 2300 belangrijkste uitdrukkingen uit het nederlands dit woordenboek is speciaal gemaakt om nederlands te leren als dat niet je moedertaal is

nederlands als tweede taal nt2 van dale pocketwoordenboeken - Feb 10 2023

web dit van dale pocketwoordenboek nederlands als tweede taal nt2 bevat de 15 000 belangrijkste trefwoorden en 2300 uitdrukkingen uit het nederlands dit woordenboek is speciaal gemaakt om nederlands te leren als dat niet je moedertaal is  
*van dale pocketwoordenboek nederlands als tweede taal nt2* - Apr 12 2023

web met van dale kom je verder dit van dale pocketwoordenboek nederlands als tweede taal nt2 bevat de 15 000 belangrijkste trefwoorden en 2300 uitdrukkingen uit het nederlands dit woordenboek is speciaal gemaakt om

**nederlands als tweede taal nt2 van dale pocketwoordenboeken** - Jan 09 2023

web nov 3 2020 nederlands als tweede taal nt2 van dale pocketwoordenboeken 9789460775680 amazon com books books  
van dale apps on google play - Dec 28 2021

web jun 20 2023 1 download de van dale app 2 log vervolgens in met je van dale online gebruikersnaam en wachtwoord 3 je kunt nu gebruikmaken van jouw onlinewoordenboeken de van dale app is geschikt voor iedereen met een inlogaccount voor van dale online professioneel en of van dale online op school daarom van dale

**van dale voor nt2** - Jul 03 2022

web van dale grammatica nederlands paperback 29 99 27 51 in winkelwagen van dale pocketwoordenboek nederlands als tweede taal nt2 paperback 19 99 18 34 in winkelwagen van dale online nederlands als tweede taal nt2 jaartoeegang waardering 5 44 4 99

**vind van dale pocketwoordenboek nederlands als tweede taal nt2** - Aug 04 2022

web van dale pocketwoordenboek nederlands als tweede taal nt2 boekenbalie maakt van tweedehands jouw eerste keuze trustscore 4 8 excellent 30 dagen retour garantie titel van dale pocketw gelezen verzenden 36 80 7 sep 23 topadvertentie boekenbalie rotterdam bezoek website van dale pocketwoordenboek nederlands spaans

**van dale pocketwoordenboek nederlands als tweede taal nt2** - Mar 31 2022

web dit van dale pocketwoordenboek nederlands als tweede taal nt2 bevat de 15 000 belangrijkste trefwoorden en 2300 uitdrukkingen uit het nederlands dit woordenboek is speciaal gemaakt om nederlands te leren als dat niet je moedertaal is

**van dale pocketwoordenboek nederlands van bestellen** - Feb 27 2022

web van dale pocketwoordenboek nederlands de beste hulp bij het vak nederlands in dit van dale pocketwoordenboek nederlands vind je alles wat je nodig hebt voor het schoolvak nederlands in het vmbo en de onderbouw havo vwo op de middelbare school in nederland en de 1e en 2e graad van het secundair onderwijs in vlaanderen ook bij

van dale pocketwoordenboek nederlands als tweede taal nt2 - Sep 05 2022

web met van dale kom je verder dit van dale pocketwoordenboek nederlands als tweede taal nt2 bevat de 15 000 belangrijkste trefwoorden en 2300 uitdrukkingen uit het nederlands dit woordenboek is speciaal gemaakt om

nederlands als tweede taal leren met van dale van dale - Oct 06 2022

web apr 22 2019 het van dale pocketwoordenboek nederlands als tweede taal nt2 bevat bijvoorbeeld de 15 000 belangrijkste trefwoorden en uitdrukkingen uit het nederlands uitgelegd in eenvoudige taal en met illustraties om de lastigste nederlandse woorden te

**van dale pocketwoordenboek nederlands als tweede taal nt2** - Jun 14 2023

web met van dale kom je verder dit van dale pocketwoordenboek nederlands als tweede taal nt2 bevat de 15 000 belangrijkste trefwoorden en 2300 uitdrukkingen uit het nederlands dit woordenboek is speciaal gemaakt om

*panaroma des tha c rapies familiales portal nivbook co* - Nov 03 2022

web 2 panaroma des tha c rapies familiales 2021 11 10 medical conditions other times it

**siem reap cambodia the children in the temples** - Feb 23 2022

web the orphanage is in constant need of volunteers and donations its close proximity to the *panaroma des tha c rapies familiales wrbb neu* - Jun 29 2022

web panaroma des tha c rapies familiales this is likewise one of the factors by obtaining

**panaroma des tha c rapies familiales pdf music school fbny** - May 09 2023

web panaroma des tha c rapies familiales downloaded from music school fbny org by

*panaroma des tha c rapies familiales elizabeth becker copy* - Jan 05 2023

web and numerous books collections from fictions to scientific research in any way among  
[panaroma des tha c rapies familiales](#) - Mar 27 2022

web as this panaroma des tha c rapies familiales it ends going on being one of the

**panaroma des tha c rapies familiales book** - Apr 08 2023

web panaroma des tha c rapies familiales rape justice oct 14 2022 this book explores

[panaroma des tha c rapies familiales download only](#) - Dec 24 2021

web problems which has de cultured and de moralized the practice of economics this book

**ebook panaroma des tha c rapies familiales** - Oct 02 2022

web panaroma des tha c rapies familiales subversive horror cinema nov 24 2020

[panaroma des tha c rapies familiales omar eby pdf](#) - Apr 27 2022

web panaroma des tha c rapies familiales is affable in our digital library an online

**panaroma des thérapies familiales by mony elkaïm** - Jun 10 2023

web jun 26 2023 familiales mony elkaïm il est l une des principales figures européennes

[rape 46 year old patriarch was crime library singapore](#) - May 29 2022

web rape 46 year old patriarch was sentenced to 32 years in jail and 24 strokes of the cane

[panaroma des thérapies familiales by mony elkaïm rc miit edu](#) - Feb 06 2023

web jun 11 2023 panaroma des thérapies familiales by mony elkaïm celui des thérapies

**panaroma des tha c rapies familiales pdf portal nivbook co** - Mar 07 2023

web 2 panaroma des tha c rapies familiales 2022 11 22 complex domain then this book

[cecilia family clinic surgery 484 tampines st 43](#) - Jan 25 2022

web 1 review of cecilia family clinic surgery this clinic was named after a female doctor

**panaroma des tha c rapies familiales 2022** - Aug 12 2023

web panaroma des tha c rapies familiales downloaded from

[panaroma des tha c rapies familiales download only](#) - Nov 22 2021

web panaroma des tha c rapies familiales 1 panaroma des tha c rapies familiales if

**palms pandans and rattans of singapore photo index** - Jul 31 2022

web seashore pandan pandanus tectorius pinang or betel nut palm areca catechu fishtail

[panaroma des tha c rapies familiales 2023](#) - Sep 13 2023

web 4 panaroma des tha c rapies familiales 2023 03 08 more to bring the core aspects

[panaroma des tha c rapies familiales confrencemeet](#) - Jul 11 2023

web panorama des thérapies familiales the comorbidities of epilepsy intelligent

**panorama des thérapies familiales by mony elkaïm** - Sep 01 2022

web jun 6 2023 download the panorama des thérapies familiales by mony elkaïm join that

*panorama des thérapies familiales pdf waptac* - Oct 14 2023

web panorama des thérapies familiales 2 downloaded from waptac org on 2022 02

**panorama des thérapies familiales by mony elkaïm rc miit edu** - Dec 04 2022

web familiales mony elkaïm il est l une des principales figures européennes de la thérapie

*security engineering third edition* - May 12 2023

web 5 24 2020 security engineering a guide to building dependable distributed systems cl cam ac uk rja14 book html 2 5

chapter 9 multilevel security chapter

**security engineering a guide to building dependable** - Sep 04 2022

web second edition of ross anderson s book on security engineering security engineering a guide to building dependable

distributed systems 2nd edition q47482102

**security engineering a guide to building dependable** - Aug 03 2022

web get full access to security engineering a guide to building dependable distributed systems second edition and 60k other titles with a free 10 day trial of o reilly

**security engineering a guide to building dependable distributed** - Mar 10 2023

web the last two chapters concentrate on problems of distributed systems namely concurrency failure resistance and naming as well as on the economics of system

**security engineering a guide to building dependable distributed** - Jun 13 2023

web in this indispensable fully updated guide ross anderson reveals how to build systems that stay dependable whether faced with error or malice here s straight talk on critical

**security engineering a guide to building dependable distributed** - Oct 05 2022

web apr 14 2008 in this indispensable fully updated guide ross anderson reveals how to build systems that stay dependable whether faced with error or malice here s straight

[security engineering wiley online books](#) - Aug 15 2023

web dec 2 2020 security engineering a guide to building dependable distributed systems author s ross anderson first published 2 december 2020 print isbn

**review of security engineering a guide to building dependable** - Dec 27 2021

web in security engineering a guide to building dependable distributed systems third edition cambridge university professor

ross anderson updates his classic textbook

*security engineering a guide to building dependable distributed* - Jul 14 2023

web in security engineering a guide to building dependable distributed systems third edition cambridge university professor

ross anderson updates his classic textbook

security engineering a guide to building dependable distributed - Jul 02 2022

web security engineering a guide to building dependable distributed systems third edition cambridge university professor

ross anderson updates his classic textbook

**security engineering a guide to building dependable distributed** - Apr 11 2023

web security engineering a guide to building dependable distributed systems ross j anderson 2nd ed p cm includes

bibliographical references and index isbn 978 0

security engineering a guide to building dependable distributed - Oct 25 2021

security engineering a guide to building dependable distributed - Jun 01 2022

web security engineering a guide to building dependable distributed systems 53 shrink wrap program to trash your hard disk

so an explicit security policy is a good idea

security engineering a guide to building dependable - Nov 25 2021

*security engineering a guide to building dependable* - Dec 07 2022

web ross anderson explores what security engineering means in 2020 including how the basic elements of cryptography protocols and access control translate to the new world

**security engineering a guide to building dependable distributed** - Feb 26 2022

web feb 10 2009 review of security engineering a guide to building dependable distributed systems 2nd edition by ross j anderson anderson ross j security

security engineering a guide to building dependable distributed - Apr 30 2022

web in security engineering a guide to building dependable distributed systems third edition cambridge university professor

ross anderson updates his classic textbook

download security engineering a guide to building dependable - Jan 08 2023

web in security engineering a guide to building dependable distributed systems third edition cambridge university professor

ross anderson updates his classic textbook

security engineering a guide to building dependable distributed - Mar 30 2022

web security engineering a guide to building dependable distributed systems 231 chapter 11 nuclear command and control in germany and turkey they viewed

**security engineering a guide to building dependable** - Feb 09 2023

web dec 22 2020 security engineering a guide to building dependable distributed systems ross anderson john wiley sons dec 22 2020 computers 1232 pages

*security engineering a guide to building dependable distributed* - Jan 28 2022

web nov 24 2020 ross anderson explores what security engineering means in 2020 including how the basic elements of cryptography protocols and access control

security engineering a guide to building dependable - Nov 06 2022

web this review describes the second edition of ross anderson s book security engineering summarising the content this book describes the interaction between security