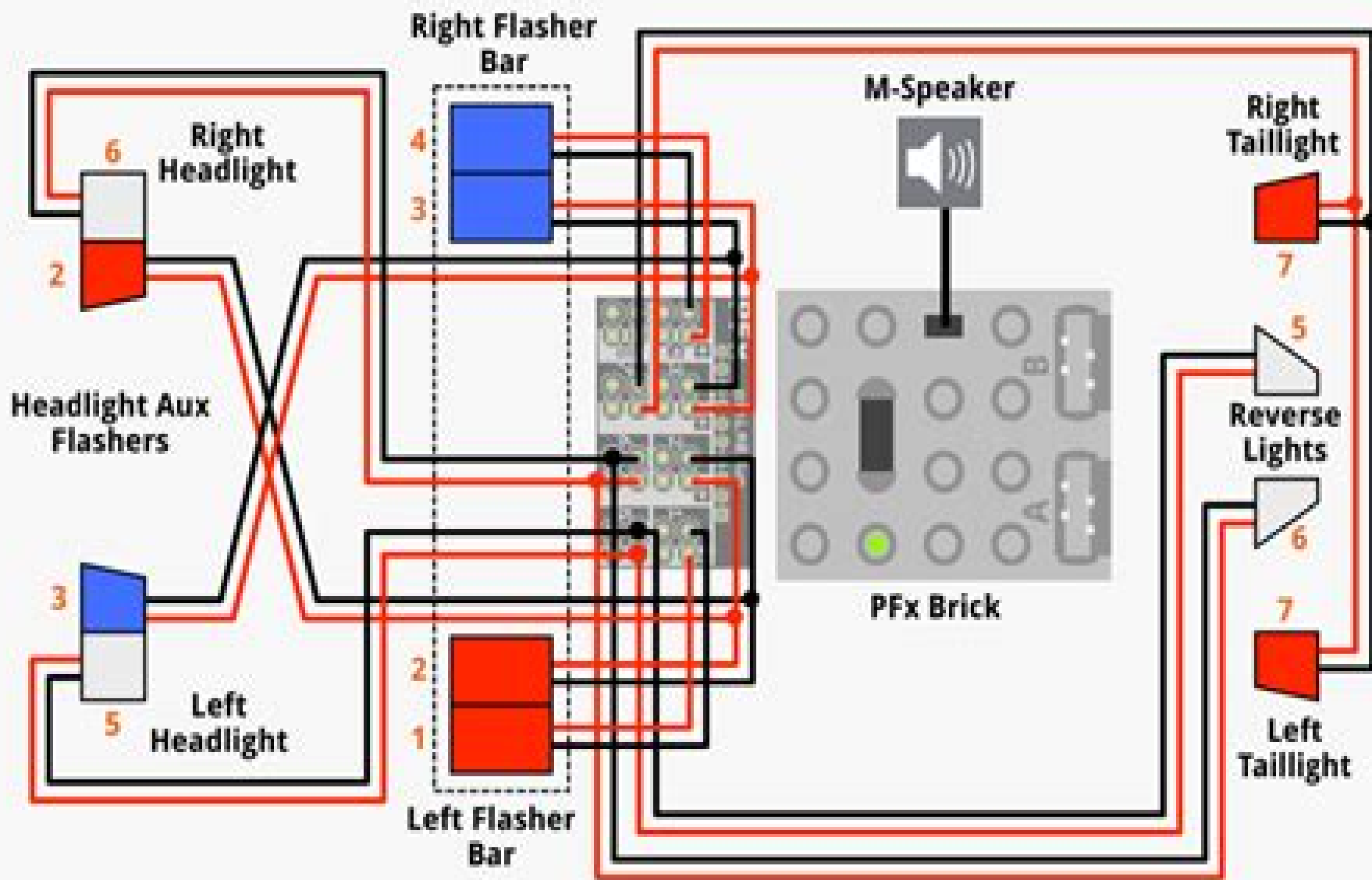


# LEGO® Police Interceptor Schematic



# Wiring Diagrams For Police Transit Van

**Rachel Sandford**



## **Wiring Diagrams For Police Transit Van:**

This is likewise one of the factors by obtaining the soft documents of this **Wiring Diagrams For Police Transit Van** by online. You might not require more epoch to spend to go to the book foundation as without difficulty as search for them. In some cases, you likewise pull off not discover the message Wiring Diagrams For Police Transit Van that you are looking for. It will agreed squander the time.

However below, with you visit this web page, it will be so unquestionably easy to acquire as competently as download guide Wiring Diagrams For Police Transit Van

It will not agree to many era as we explain before. You can realize it while take steps something else at home and even in your workplace. appropriately easy! So, are you question? Just exercise just what we offer under as competently as evaluation **Wiring Diagrams For Police Transit Van** what you later to read!

<https://hersolutiongelbuy.com/About/uploaded-files/Documents/new%20english%20file%20pre%20intermediate%203rd%20edition.pdf>

## **Table of Contents Wiring Diagrams For Police Transit Van**

1. Understanding the eBook Wiring Diagrams For Police Transit Van
  - The Rise of Digital Reading Wiring Diagrams For Police Transit Van
  - Advantages of eBooks Over Traditional Books
2. Identifying Wiring Diagrams For Police Transit Van
  - Exploring Different Genres
  - Considering Fiction vs. Non-Fiction
  - Determining Your Reading Goals
3. Choosing the Right eBook Platform
  - Popular eBook Platforms
  - Features to Look for in an Wiring Diagrams For Police Transit Van
  - User-Friendly Interface

4. Exploring eBook Recommendations from Wiring Diagrams For Police Transit Van
  - Personalized Recommendations
  - Wiring Diagrams For Police Transit Van User Reviews and Ratings
  - Wiring Diagrams For Police Transit Van and Bestseller Lists
5. Accessing Wiring Diagrams For Police Transit Van Free and Paid eBooks
  - Wiring Diagrams For Police Transit Van Public Domain eBooks
  - Wiring Diagrams For Police Transit Van eBook Subscription Services
  - Wiring Diagrams For Police Transit Van Budget-Friendly Options
6. Navigating Wiring Diagrams For Police Transit Van eBook Formats
  - ePub, PDF, MOBI, and More
  - Wiring Diagrams For Police Transit Van Compatibility with Devices
  - Wiring Diagrams For Police Transit Van Enhanced eBook Features
7. Enhancing Your Reading Experience
  - Adjustable Fonts and Text Sizes of Wiring Diagrams For Police Transit Van
  - Highlighting and Note-Taking Wiring Diagrams For Police Transit Van
  - Interactive Elements Wiring Diagrams For Police Transit Van
8. Staying Engaged with Wiring Diagrams For Police Transit Van
  - Joining Online Reading Communities
  - Participating in Virtual Book Clubs
  - Following Authors and Publishers Wiring Diagrams For Police Transit Van
9. Balancing eBooks and Physical Books Wiring Diagrams For Police Transit Van
  - Benefits of a Digital Library
  - Creating a Diverse Reading Collection Wiring Diagrams For Police Transit Van
10. Overcoming Reading Challenges
  - Dealing with Digital Eye Strain
  - Minimizing Distractions
  - Managing Screen Time
11. Cultivating a Reading Routine Wiring Diagrams For Police Transit Van
  - Setting Reading Goals Wiring Diagrams For Police Transit Van
  - Carving Out Dedicated Reading Time

12. Sourcing Reliable Information of Wiring Diagrams For Police Transit Van
  - Fact-Checking eBook Content of Wiring Diagrams For Police Transit Van
  - Distinguishing Credible Sources
13. Promoting Lifelong Learning
  - Utilizing eBooks for Skill Development
  - Exploring Educational eBooks
14. Embracing eBook Trends
  - Integration of Multimedia Elements
  - Interactive and Gamified eBooks

### **Wiring Diagrams For Police Transit Van Introduction**

In today's digital age, the availability of Wiring Diagrams For Police Transit Van books and manuals for download has revolutionized the way we access information. Gone are the days of physically flipping through pages and carrying heavy textbooks or manuals. With just a few clicks, we can now access a wealth of knowledge from the comfort of our own homes or on the go. This article will explore the advantages of Wiring Diagrams For Police Transit Van books and manuals for download, along with some popular platforms that offer these resources. One of the significant advantages of Wiring Diagrams For Police Transit Van books and manuals for download is the cost-saving aspect. Traditional books and manuals can be costly, especially if you need to purchase several of them for educational or professional purposes. By accessing Wiring Diagrams For Police Transit Van versions, you eliminate the need to spend money on physical copies. This not only saves you money but also reduces the environmental impact associated with book production and transportation. Furthermore, Wiring Diagrams For Police Transit Van books and manuals for download are incredibly convenient. With just a computer or smartphone and an internet connection, you can access a vast library of resources on any subject imaginable. Whether you're a student looking for textbooks, a professional seeking industry-specific manuals, or someone interested in self-improvement, these digital resources provide an efficient and accessible means of acquiring knowledge. Moreover, PDF books and manuals offer a range of benefits compared to other digital formats. PDF files are designed to retain their formatting regardless of the device used to open them. This ensures that the content appears exactly as intended by the author, with no loss of formatting or missing graphics. Additionally, PDF files can be easily annotated, bookmarked, and searched for specific terms, making them highly practical for studying or referencing. When it comes to accessing Wiring Diagrams For Police Transit Van books and manuals, several platforms offer an extensive collection of resources. One such platform is Project Gutenberg, a nonprofit organization that provides over 60,000 free eBooks. These books are primarily in

the public domain, meaning they can be freely distributed and downloaded. Project Gutenberg offers a wide range of classic literature, making it an excellent resource for literature enthusiasts. Another popular platform for Wiring Diagrams For Police Transit Van books and manuals is Open Library. Open Library is an initiative of the Internet Archive, a non-profit organization dedicated to digitizing cultural artifacts and making them accessible to the public. Open Library hosts millions of books, including both public domain works and contemporary titles. It also allows users to borrow digital copies of certain books for a limited period, similar to a library lending system. Additionally, many universities and educational institutions have their own digital libraries that provide free access to PDF books and manuals. These libraries often offer academic texts, research papers, and technical manuals, making them invaluable resources for students and researchers. Some notable examples include MIT OpenCourseWare, which offers free access to course materials from the Massachusetts Institute of Technology, and the Digital Public Library of America, which provides a vast collection of digitized books and historical documents. In conclusion, Wiring Diagrams For Police Transit Van books and manuals for download have transformed the way we access information. They provide a cost-effective and convenient means of acquiring knowledge, offering the ability to access a vast library of resources at our fingertips. With platforms like Project Gutenberg, Open Library, and various digital libraries offered by educational institutions, we have access to an ever-expanding collection of books and manuals. Whether for educational, professional, or personal purposes, these digital resources serve as valuable tools for continuous learning and self-improvement. So why not take advantage of the vast world of Wiring Diagrams For Police Transit Van books and manuals for download and embark on your journey of knowledge?

### **FAQs About Wiring Diagrams For Police Transit Van Books**

How do I know which eBook platform is the best for me? Finding the best eBook platform depends on your reading preferences and device compatibility. Research different platforms, read user reviews, and explore their features before making a choice. Are free eBooks of good quality? Yes, many reputable platforms offer high-quality free eBooks, including classics and public domain works. However, make sure to verify the source to ensure the eBook credibility. Can I read eBooks without an eReader? Absolutely! Most eBook platforms offer web-based readers or mobile apps that allow you to read eBooks on your computer, tablet, or smartphone. How do I avoid digital eye strain while reading eBooks? To prevent digital eye strain, take regular breaks, adjust the font size and background color, and ensure proper lighting while reading eBooks. What the advantage of interactive eBooks? Interactive eBooks incorporate multimedia elements, quizzes, and activities, enhancing the reader engagement and providing a more immersive learning experience. Wiring Diagrams For Police Transit Van is one of the best book in our library for free trial. We provide copy of Wiring Diagrams For Police Transit Van in digital

format, so the resources that you find are reliable. There are also many Ebooks of related with Wiring Diagrams For Police Transit Van. Where to download Wiring Diagrams For Police Transit Van online for free? Are you looking for Wiring Diagrams For Police Transit Van PDF? This is definitely going to save you time and cash in something you should think about.

### Find Wiring Diagrams For Police Transit Van :

**new english file pre intermediate 3rd edition**

~~new holland te da parts manual~~

**new holland 225 manual**

never hurt me the wish makers book 3

new government motorcycle helmet

new holland 7740 repair manual

~~new car buying guide 24~~

**never say never**

*new cyllibus q a for maths gr12 2014*

**new era accounting grade 1 study guide**

~~new beetle owners manual 2009~~

new english file upper intermediate key

new english file pre intermediate keys

**new holland t7060 repair manual**

**new holland 1431 owner manual**

### Wiring Diagrams For Police Transit Van :

**english fal grade10 june question paper 2014 jbedssofa** - Nov 29 2021

english fal grade10 june question paper 2014 is additionally useful you have remained in right site to start getting this info get the english fal grade10 june question paper 2014

**english first additional language national department of** - Jun 17 2023

33 rows sep 18 2018 there are three exams for english first additional language paper

**north west provincial mid year examination** - Feb 13 2023

grade 10 english first additional language p1 may june 2019 marks 80 time 2 hours this question paper consists of 13 pages



instructions and

**english fal grade10 june question paper 2014 pdf ftp** - Jun 05 2022

2 english fal grade10 june question paper 2014 2019 10 17 download paper 1 english fal grade 10 june 2013 memo and question paper in pdf format if you don t see any interesting

*english fal grade10 june question paper 2014 2022* - Aug 07 2022

1 12 june grade 10 english fal 1 12 june grade 10 english fal poetry grade 10 english fal week 7 term 2 22 26 june grade 10 poetry a young man plus

english fal grade10 june question paper 2014 copy qr bonide - Jan 12 2023

english fal grade10 june question paper 2014 paper 1 english fal grade 10 june 2013 memo and question english first additional language english fal exam

**grade 10 past papers memos english 101** - Sep 20 2023

dec 14 2021 are you in need of english first additional language fal grade 10 past papers memos it can be a challenge to look for the latest question papers and their

*english fal grade10 june question paper 2014 pdf free* - Feb 01 2022

english fal grade10 june question paper 2014 2014 03 08 1 13 english fal grade10 june question paper 2014 introduction english fal grade10 june question paper 2014 pdf

**english first additional language grade 10** - Apr 15 2023

english first additional language grade 10 paper 1 june 2013 total 80 time 2 hours information and instructions 1 this question paper consists of

*english fal grade10 june question paper 2014 pdf e* - Mar 14 2023

grade 10 english fal 1 12 june grade 10 english fal poetry grade 10 english fal week 7 term 2 22 26 june grade 10 poetry a young man plus reapers plus

**english fal grade10 june question paper 2014 ol wise edu** - Dec 31 2021

it is your certainly own mature to achievement reviewing habit among guides you could enjoy now is english fal grade10 june question paper 2014 below english fal grade10 june

**grade 10 english fal sa exams** - May 16 2023

nov 27 2022 grade 10 english fal exam papers our examination papers include gauteng kwa zulu natal eastern cape nsc mock papers year question paper memorandum

**english fal grade10 june question paper 2014 uniport edu** - Apr 03 2022

sep 13 2023 webenglish fal grade10 june question paper 2014 english fal 10 eden technical high school past exam papers

for grade 10 english

grade 10 north west - Nov 10 2022

english fal grade 10 p1 memorandum may june 2019 2 nw june engfal emis 6 2 instruction to markers 1 candidates are required to answer all the

**english fal grade10 june question paper 2014 2022** - Oct 29 2021

english fal grade10 june question paper 2014 1 english fal grade10 june question paper 2014 north west provincial mid year examination download grade 12

english fal grade 10 past papers sa papers - Jul 18 2023

english fal government grade 10 past papers access the largest collection of past exam papers for grade 10 caps the memos and exam papers are available in afrikaans and

*english fal grade10 june question paper 2014 pdf uniport edu* - Sep 08 2022

sep 10 2023 english fal grade10 june question paper 2014 2 3 downloaded from uniport edu ng on september 10 2023 by guest webkindly say the english fal grade10

**grade 10 english p1 and p2 june 2019 exam papers and memos** - Jul 06 2022

aug 20 2020 the resources included on this page are for various caps subjects that are taught in grade r worksheets annual teaching plans atp class control tests exam question

*english fal grade10 june question paper 2014* - Mar 02 2022

english fal grade10 june question paper 2014 creating effective teaching and learning environments first results from talis the three block model of universal design for learning

grade 10 english first additional language past exam papers - Aug 19 2023

caps exam papers past exam papers for grade 10 english first additional language 2023 2015 past march june september and november exam papers memos available in both

english fal grade10 june question paper 2014 2022 - May 04 2022

english fal grade10 june question download grade 12 english first additional language fal english first additional language paper 1 english fal grade 10 june 2013 memo

english fal grade10 june question paper 2014 bespoke cityam - Dec 11 2022

english fal grade10 june question paper 2014 pdf english fal grade10 june question paper 2014 english fal grade10 june question paper 2014 author yvonne herz english

**english fal 10 eden technical high school** - Oct 09 2022

feb 26 2021 english grade 10 fal poetry week ending 5 march 2021 english fal grade 10 term 1 week 4 2021 week ending 26

february 2021 scan0000 november exam

[jess franco the world s most dangerous filmmaker amazon ae](#) - Mar 11 2023

web jess franco the world s most dangerous filmmaker jess franco was a director cinematographer writer composer editor producer and actor in more than 150 fiercely independent films he made from 1959 to 2013 born in madrid spain he was declared one of the most dangerous filmmakers by the spanish catholic church

[jess franco the world s most dangerous filmmaker kindle edition](#) - Sep 05 2022

web jess franco the world s most dangerous filmmaker ebook upjohn kristofer todd amazon com au kindle store

[jess franco the world s most dangerous filmmaker](#) - May 13 2023

web jess franco the world s most dangerous filmmaker jess franco was a director cinematographer writer composer editor producer and actor in more than 150 fiercely independent films he made from 1959 to 2013 born in madrid spain he was declared one of the most dangerous filmmakers by the spanish catholic church

*jess franco ranked a list of films by adrian letterboxd* - Dec 28 2021

web i ve just made some movies more disgusting than others jesús franco manera 1930 2013 this is my journey into the bizarre world of one of cinema s most hated filmmakers the list includes all the jess franco movies i ve watched so far i ranked them based on my personal enjoyment

**buy jess franco the world s most dangerous filmmaker book** - Jan 29 2022

web amazon in buy jess franco the world s most dangerous filmmaker book online at best prices in india on amazon in read jess franco the world s most dangerous filmmaker book reviews author details and more

*jess franco the world s most dangerous filmmaker paperback* - Nov 07 2022

web jess franco the world s most dangerous filmmaker jess franco was a director cinematographer writer composer editor producer and actor in more than 150 fiercely independent films he made from 1959 to 2013 born in madrid spain he was declared one of the most dangerous filmmakers by the spanish catholic church

[jess franco the world s most dangerous filmmaker english](#) - Jun 02 2022

web jess franco the world s most dangerous filmmaker english edition ebook upjohn kristofer todd amazon de kindle shop

**jess franco the world s most dangerous filmmaker** - Jul 15 2023

web jess franco the world s most dangerous filmmaker jess franco was a director cinematographer writer composer editor producer and actor in more than 150 fiercely independent films he made from 1959 to 2013 born in madrid spain he was declared one of the most dangerous filmmakers by the spanish catholic church

**jess franco the world s most dangerous filmmaker kindle edition** - Jun 14 2023

web jess franco the world s most dangerous filmmaker jess franco was a director cinematographer writer composer editor



web jess franco the world s most dangerous filmmaker jess franco was a director cinematographer writer composer editor producer and actor in more than 150

[jess franco the world s most dangerous filmmaker alibris](#) - May 01 2022

web buy jess franco the world s most dangerous filmmaker by kristofer todd upjohn online at alibris we have new and used copies available in 1 editions starting at 9 76 shop now

[call center agent training course business training works](#) - Sep 04 2022

web sep 26 2022 7 types of customer service certifications customer service certification help desk certification call center certification client services certification client

**class syllabus call center customer service universalclass** - Aug 15 2023

web summarize call center scenarios and crs technologies summarize setting call center standards describe ways to effectively manage your customer call center service

[developing and implementing training for the call](#) - Feb 09 2023

web course outcomes review the ins and outs of good telephone etiquette and telephone communication suggest strategies for building rapport with callers and setting the tone

[top call center courses online updated september 2023](#) - Jun 01 2022

web feb 22 2023 building your call center training program as you begin building your call center agent training courses the list of topics that you can use to train your call

[the ultimate guide to training for customer service support](#) - Feb 26 2022

web step 3 evaluation and monitoring decision makers usually would love to see a projection of the training s outcome it is best to include in the proposal how you are planning in measuring monitoring and evaluating the progress

**call center training best practices for training support agents** - Dec 27 2021

[call center training nice](#) - Aug 03 2022

web may 18 2023 the innovative customer service techniques course is created and presented by customer service expert jeff toister and consists of a short 45 minute

**top 20 call centre training courses edapp** - Jul 02 2022

web jul 20 2021 10 best practices for successful call center agent training these best practices for call center agent training can lead to increased success in training and

**call center the essential guide udemy** - Apr 30 2022

web the college of call center excellence on site agent training course curriculum 1 day introduction to call center soft skills

the college of call center excellence on site

[customer service fundamentals coursera](#) - Nov 06 2022

web mastering call center skills a comprehensive training coursebecome a call center pro a comprehensive training

courserating 4.3 out of 541 reviews3 total hours37

**sample course syllabus for call center training** - Oct 25 2021

**call center training template easygenerator** - Jun 13 2023

web icmi tutorial developing and implementing training for the call center training delivery methods key points deciding

which training method is best requires the consideration

*the call center training guide best practices for* - Dec 07 2022

web 1 edapp the best call center training can be found with edapp s training software this learning management system is

free for you to use to train your teams large and small it

**call center training the complete guide for 2021 with lifesize** - Mar 10 2023

web full service our courses and workshops cover topics in every contact center role so you can overcome obstacles at any

level from agents to directors and specialized positions

**contact center agent training course curriculum** - Nov 25 2021

**call center training courses certification programs** - Oct 05 2022

web my goal is to help demystify the call center so you can be better either as an employee or a leader in the call center learn

and master the essentials of the call center history of the call center evolution of the call center types and functions of the

call center call center technology management within the call center call center and

*the ultimate call center training guide for real* - Apr 11 2023

web learners will identify basic characteristics for each personality trait and evaluate their own strengths and weaknesses

they will reflect on recommended strategies to develop traits

**best practices for call center agent training programs** - Jan 28 2022

*call center training udemy* - Jan 08 2023

web nice cxone offers you this free series of professionally developed call center training courses designed to help you

improve call center performance and deliver better

**call center skills training course online video lessons** - Jul 14 2023

web jul 8 2020 1 embrace continuous training the most successful contact centers are abandoning point in time one size fits all training programs traditional onetime

9 sample call center training proposal in pdf ms word - Sep 23 2021

*the top 21 customer service certifications courses you need* - Mar 30 2022

web sample course syllabus for call center training right here we have countless book sample course syllabus for call center training and collections to check out we

**top free call center training manual samples and** - May 12 2023

web frequently bought together call center training call center training will lower costs as it can reduce turnover you will learn the skills to improve productivity and prating 4 0