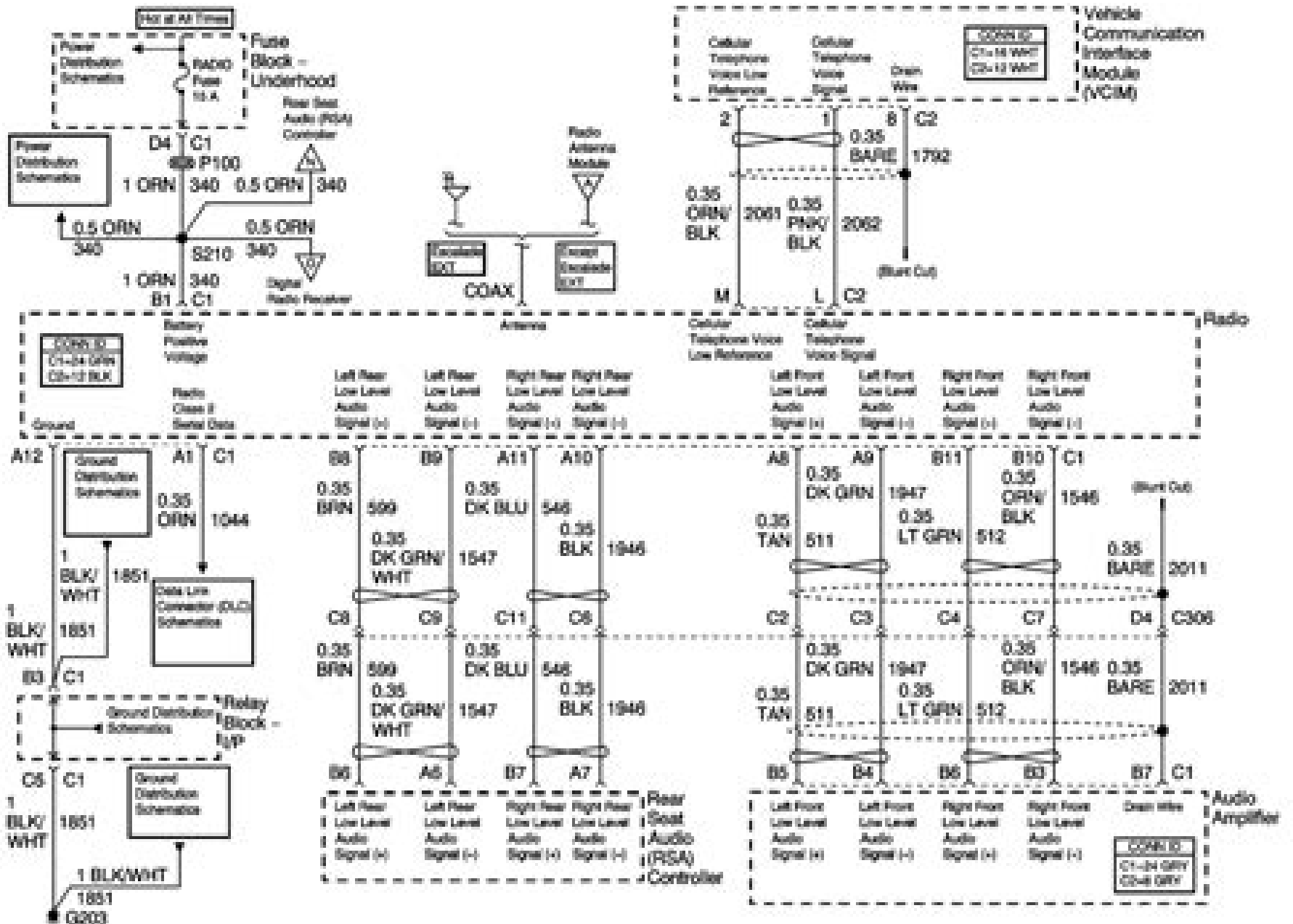


Radio Power, Ground, Audio Signals – UQ7 w/Y91



# Wire Diagram For 2005 Denali Radio

**Philco Radio & Television Corporation**



**Wire Diagram For 2005 Denali Radio:**

**Automotive Manual Electrical-radio Wiring Diagrams** E.I. Electrical Press,1951      *Wiring Diagrams, Parts Lists and Essential Service Data Philco Home Radio, Auto Radio, 1928-1936 Inclusive, Especially Prepared for Members of Radio Manufacturers Service* Philco Radio and Television Corp,1936      **Wiring diagrams, parts list, alignment data, voltage tables, Philco home radio receivers** Philco Radio & Television Corporation,19??      **Wiring Diagram for Borgia II.** Radio Corporation of America,1930

Delve into the emotional tapestry woven by in **Wire Diagram For 2005 Denali Radio** . This ebook, available for download in a PDF format ( \*), is more than just words on a page; it's a journey of connection and profound emotion. Immerse yourself in narratives that tug at your heartstrings. Download now to experience the pulse of each page and let your emotions run wild.

<https://hersolutiongelbuy.com/results/virtual-library/HomePages/Regrouping%20Word%20Problems%202nd%20Grade.pdf>

## **Table of Contents Wire Diagram For 2005 Denali Radio**

1. Understanding the eBook Wire Diagram For 2005 Denali Radio
  - The Rise of Digital Reading Wire Diagram For 2005 Denali Radio
  - Advantages of eBooks Over Traditional Books
2. Identifying Wire Diagram For 2005 Denali Radio
  - Exploring Different Genres
  - Considering Fiction vs. Non-Fiction
  - Determining Your Reading Goals
3. Choosing the Right eBook Platform
  - Popular eBook Platforms
  - Features to Look for in an Wire Diagram For 2005 Denali Radio
  - User-Friendly Interface
4. Exploring eBook Recommendations from Wire Diagram For 2005 Denali Radio
  - Personalized Recommendations
  - Wire Diagram For 2005 Denali Radio User Reviews and Ratings
  - Wire Diagram For 2005 Denali Radio and Bestseller Lists
5. Accessing Wire Diagram For 2005 Denali Radio Free and Paid eBooks
  - Wire Diagram For 2005 Denali Radio Public Domain eBooks
  - Wire Diagram For 2005 Denali Radio eBook Subscription Services
  - Wire Diagram For 2005 Denali Radio Budget-Friendly Options

6. Navigating Wire Diagram For 2005 Denali Radio eBook Formats
  - ePub, PDF, MOBI, and More
  - Wire Diagram For 2005 Denali Radio Compatibility with Devices
  - Wire Diagram For 2005 Denali Radio Enhanced eBook Features
7. Enhancing Your Reading Experience
  - Adjustable Fonts and Text Sizes of Wire Diagram For 2005 Denali Radio
  - Highlighting and Note-Taking Wire Diagram For 2005 Denali Radio
  - Interactive Elements Wire Diagram For 2005 Denali Radio
8. Staying Engaged with Wire Diagram For 2005 Denali Radio
  - Joining Online Reading Communities
  - Participating in Virtual Book Clubs
  - Following Authors and Publishers Wire Diagram For 2005 Denali Radio
9. Balancing eBooks and Physical Books Wire Diagram For 2005 Denali Radio
  - Benefits of a Digital Library
  - Creating a Diverse Reading Collection Wire Diagram For 2005 Denali Radio
10. Overcoming Reading Challenges
  - Dealing with Digital Eye Strain
  - Minimizing Distractions
  - Managing Screen Time
11. Cultivating a Reading Routine Wire Diagram For 2005 Denali Radio
  - Setting Reading Goals Wire Diagram For 2005 Denali Radio
  - Carving Out Dedicated Reading Time
12. Sourcing Reliable Information of Wire Diagram For 2005 Denali Radio
  - Fact-Checking eBook Content of Wire Diagram For 2005 Denali Radio
  - Distinguishing Credible Sources
13. Promoting Lifelong Learning
  - Utilizing eBooks for Skill Development
  - Exploring Educational eBooks
14. Embracing eBook Trends
  - Integration of Multimedia Elements

- Interactive and Gamified eBooks

### **Wire Diagram For 2005 Denali Radio Introduction**

Free PDF Books and Manuals for Download: Unlocking Knowledge at Your Fingertips In today's fast-paced digital age, obtaining valuable knowledge has become easier than ever. Thanks to the internet, a vast array of books and manuals are now available for free download in PDF format. Whether you are a student, professional, or simply an avid reader, this treasure trove of downloadable resources offers a wealth of information, conveniently accessible anytime, anywhere. The advent of online libraries and platforms dedicated to sharing knowledge has revolutionized the way we consume information. No longer confined to physical libraries or bookstores, readers can now access an extensive collection of digital books and manuals with just a few clicks. These resources, available in PDF, Microsoft Word, and PowerPoint formats, cater to a wide range of interests, including literature, technology, science, history, and much more. One notable platform where you can explore and download free Wire Diagram For 2005 Denali Radio PDF books and manuals is the internet's largest free library. Hosted online, this catalog compiles a vast assortment of documents, making it a veritable goldmine of knowledge. With its easy-to-use website interface and customizable PDF generator, this platform offers a user-friendly experience, allowing individuals to effortlessly navigate and access the information they seek. The availability of free PDF books and manuals on this platform demonstrates its commitment to democratizing education and empowering individuals with the tools needed to succeed in their chosen fields. It allows anyone, regardless of their background or financial limitations, to expand their horizons and gain insights from experts in various disciplines. One of the most significant advantages of downloading PDF books and manuals lies in their portability. Unlike physical copies, digital books can be stored and carried on a single device, such as a tablet or smartphone, saving valuable space and weight. This convenience makes it possible for readers to have their entire library at their fingertips, whether they are commuting, traveling, or simply enjoying a lazy afternoon at home. Additionally, digital files are easily searchable, enabling readers to locate specific information within seconds. With a few keystrokes, users can search for keywords, topics, or phrases, making research and finding relevant information a breeze. This efficiency saves time and effort, streamlining the learning process and allowing individuals to focus on extracting the information they need. Furthermore, the availability of free PDF books and manuals fosters a culture of continuous learning. By removing financial barriers, more people can access educational resources and pursue lifelong learning, contributing to personal growth and professional development. This democratization of knowledge promotes intellectual curiosity and empowers individuals to become lifelong learners, promoting progress and innovation in various fields. It is worth noting that while accessing free Wire Diagram For 2005 Denali Radio PDF books and manuals is convenient and cost-effective, it is vital to respect copyright laws and intellectual property rights. Platforms offering free downloads often operate within legal

boundaries, ensuring that the materials they provide are either in the public domain or authorized for distribution. By adhering to copyright laws, users can enjoy the benefits of free access to knowledge while supporting the authors and publishers who make these resources available. In conclusion, the availability of Wire Diagram For 2005 Denali Radio free PDF books and manuals for download has revolutionized the way we access and consume knowledge. With just a few clicks, individuals can explore a vast collection of resources across different disciplines, all free of charge. This accessibility empowers individuals to become lifelong learners, contributing to personal growth, professional development, and the advancement of society as a whole. So why not unlock a world of knowledge today? Start exploring the vast sea of free PDF books and manuals waiting to be discovered right at your fingertips.

### **FAQs About Wire Diagram For 2005 Denali Radio Books**

How do I know which eBook platform is the best for me? Finding the best eBook platform depends on your reading preferences and device compatibility. Research different platforms, read user reviews, and explore their features before making a choice. Are free eBooks of good quality? Yes, many reputable platforms offer high-quality free eBooks, including classics and public domain works. However, make sure to verify the source to ensure the eBook credibility. Can I read eBooks without an eReader? Absolutely! Most eBook platforms offer web-based readers or mobile apps that allow you to read eBooks on your computer, tablet, or smartphone. How do I avoid digital eye strain while reading eBooks? To prevent digital eye strain, take regular breaks, adjust the font size and background color, and ensure proper lighting while reading eBooks. What the advantage of interactive eBooks? Interactive eBooks incorporate multimedia elements, quizzes, and activities, enhancing the reader engagement and providing a more immersive learning experience. Wire Diagram For 2005 Denali Radio is one of the best book in our library for free trial. We provide copy of Wire Diagram For 2005 Denali Radio in digital format, so the resources that you find are reliable. There are also many Ebooks of related with Wire Diagram For 2005 Denali Radio. Where to download Wire Diagram For 2005 Denali Radio online for free? Are you looking for Wire Diagram For 2005 Denali Radio PDF? This is definitely going to save you time and cash in something you should think about.

### **Find Wire Diagram For 2005 Denali Radio :**

[regrouping word problems 2nd grade](#)

**rehabilitation research principles and applications 4th edition**

**rejarrah a bitch of a business**

**reductio ad absurdum english edition**

*refedit selstart manual*

reinforced concrete design 8th edition

**regional garden guide in california**

reden ist schweigen silber ist gold vol

reflection physical science if8767

**registration for second semester at elangeni college**

reinforcement activity 2 part b 7th edition

reinforcement activity 2 part a answers

**registration at sg lourens**

**reebok crosswalk v790 user guide**

**refrigeration forum service manual**

**Wire Diagram For 2005 Denali Radio :**

**get the free ch 7 form k answers algebra 1 ch 7 form k** - Sep 23 2021

web get the free ch 7 form k answers algebra 1 ch 7 form k answers algebra 1 bodyatthey vateapartya description ch 7 form k answers algebra 1 by doreen

**11 sınıf matematik ders kitabı sayfa 197 cevapları anka yayınevi** - Nov 25 2021

web a 5 b 3 c 1 d 1 e 3 cevap b 7 6 x x 5 x 4 2 0 eşitsizliğini sağlayan tam sayıların toplamı kaçtır a 1 b 2 c 3 d 4 e 5 cevap a 8 x 2 x 2 0 x 2

fillable online bookintendfamous ch 7 form k answers algebra - Sep 04 2022

web ch 7 form k answers algebra 1 by sophie keller click here for free registration of ch 7 form k answers algebra 1 book rated from 128 votes book id

**7 sınıf matematik ders kitabı sayfa 76 cevapları berkay yayıncılık** - Dec 27 2021

web cevap 1 14 1 1 2 x 1 1 3 x 1 1 4 1 1 13 işleminin sonucu aşağıdakilerden hangisidir a 7 b 5 c 5 d 7 cevap a 15 3 2 2 5 2 2 2 1 5 2 işleminin

*chapter 7 test review answer key algebra1 i course hero* - Jan 08 2023

web upload your study docs or become a member view full document unformatted text preview algebra1 i cthw itlstnivi i m 3 31 ééi in order for a point x y to be a

*algebra 1 9780133706185 solutions and answers quizlet* - Jun 13 2023



web find step by step solutions and answers to algebra 1 9780133706185 as well as thousands of textbooks so you can move forward with confidence

**weebly** - Dec 07 2022

web weebly

ГДЗ дүж решения для учебников за 7 класс по Алгебре - Jan 28 2022

web ГДЗ дүж по урокам решенные задания по Алгебре за 7 класс Абылкасымова А Е А Н Шыныбеков

*fillable online ch 7 form k answers algebra 1 mnhsqbc ebook* - Oct 25 2021

web get the free ch 7 form k answers algebra 1 mnhsqbc ebook content vitacup com ch 7 form k answe description ch 7 form k answers algebra 1 download read

**practice 7 7 form k algebra i quiz quizizz** - Jun 01 2022

web this quiz is incomplete to play this quiz please finish editing it 14 questions show answers question 1

*Алгебрадан тест 7 сынып Қазақша математиктер сайты* - Feb 26 2022

web 7 сыныпқа арналған тесттер Алгебрадан және геометриядан жүктеп алу қарау Файлды жүктеп алу 7 класс test rar Жүктелген саны 29976 6420 Пікірлер саны 41

*fillable online ch 7 form k answers algebra 1 pdf pdffiller* - Oct 05 2022

web get the free ch 7 form k answers algebra 1 pdf f4b8bc14c41c118164f4c4af21cac151 ch 7 form k answ

**algebra 1 answers and solutions mathleaks** - May 12 2023

web use mathleaks to get learning focused solutions and answers to algebra 1 math either 8th grade algebra 1 or 9th grade algebra 1 for the most commonly used textbooks from

*algebra worksheets free sheets pdf with answer keys* - Jul 02 2022

web enjoy these free printable sheets each one has model problems worked out step by step practice problems as well as challenge questions at the sheets end plus each one

**algebra 1 chapter 07 review murrieta valley unified school district** - Feb 09 2023

web 1 algebra 1 chapter 07 review multiple choice identify the choice that best completes the statement or answers the question simplify the expression answer section

algebra 1 math khan academy - Mar 10 2023

web the algebra 1 course often taught in the 9th grade covers linear equations inequalities functions and graphs systems of equations and inequalities extension of the concept

*big ideas math algebra 1 answers chapter 7 ccss math* - Apr 11 2023

web feb 10 2021 for better learnings we have curated big ideas math book algebra 1 ch 7 polynomial equations and

factoring 7 1 to 7 8 exercises questions chapter review

*ГДЗ ДУТ ДУЖ Готовые домашние задания решебники 7* - Mar 30 2022

web Сайтқа қош келдіңіз Сіз дұрыс таңдау жасадыңыз Мазмұнды оқу бағдарламасы көптеген пәндерді қамтиды Әрбір жаңа сабақта терминдер теоремалар мысалдар

*chapter 7 1 solutions prentice hall math algebra 1 student* - Jul 14 2023

web access prentice hall math algebra 1 student edition 1st edition chapter 7 1 solutions now our solutions are written by chegg experts so you can be assured of the highest quality

answer key chapter 7 prealgebra 2e openstax - Aug 03 2022

web introduction to the language of algebra 2 1 use the language of algebra 2 2 evaluate simplify and translate expressions 2 3 solving equations using the subtraction and

**mathway algebra problem solver** - Nov 06 2022

web free math problem solver answers your algebra homework questions with step by step explanations

ch 7 practice test pdf algebra 1b name id 1 1 - Apr 30 2022

web worksheet by kuta software llc 3 answers to ch 7 practice test id 1 1 9 p 7 p 5 2 8 x 2 7 x 3 3 3 5 b 3 5 b 3 4 3 n 2 3 n 2 5 5 b 2 2 5 b 6 6 a

**chapter 7 resource masters math class** - Aug 15 2023

web glencoe mcgraw hill iv glencoe algebra 1 teacher s guide to using the chapter 7 resource masters the fast file chapter resource system allows you to conveniently

*proverbs 31 as an acrostic poem bible odyssey* - Oct 10 2022

web a tumbled down and hurt his arm against a bit of wood b said my boy o do not cry it cannot do you good edward lear try to name a

**acrostic definition and examples litcharts** - Nov 11 2022

web an acrostic is a piece of writing in which a particular set of letters typically the first letter of each line word or paragraph spells out a word or phrase with special significance to the text acrostics are most commonly written as a form of poetry but they can also be found in prose or used as word puzzles

kathryn edin s book on poverty the injustice of place out now - Jul 07 2022

web nov 15 2023 princeton sociologist kathryn edin has spent her career studying america s poorest people in cities across the country when she received an invitation to focus on america s poorest places she thought she d know what to expect but when she and two co researchers used big data to create the index of deep disadvantage a map of the

**artifact 6 acrostic poems adriel perkins s blog citizenship** - Dec 12 2022

web artifact 6 acrostic poems claim 6 apply pedagogical knowledge and understanding of diverse learners to develop learning backgrounds so raise and value respectively student my graduate like all children learn differently from each other  
*north dakota acrostic poem worksheet for 2nd 4th grade* - Aug 20 2023

web this north dakota acrostic poem worksheet is suitable for 2nd 4th grade in this north dakota learning exercise students write an acrostic poem students use the letters in north dakota to begin each new line of poetry about the state of north dakota

*printable south dakota acrostic worksheet u s geography* - Oct 30 2021

web oct 27 2023 interactive printable south dakota acrostic worksheet create your own poetry about the state of south dakota with this fun elementary printable u s geography worksheet create a sentence that begins with each letter found in south dakota it can be a complete thought or represent something found in the state of south dakota

**north dakota acrostic poem** - May 17 2023

web quarterly journal university of north dakota resources in education north dakota acrostic poem downloaded from data northitalia com by guest burke jesus acrostic poems and other verses libraries unltd incorporated when the teacher tells his class that they can hear the poetry of science in everything a student is struck with a curse and

**north dakota poems modern award winning north dakota poetry all poetry** - Jul 19 2023

web i miss dearly breaking bread with that man who first provided me with the means to live and live well the man who helped me stand on my own two feet during the storms of life how i miss those quaint shops and diners their foods and customs i miss dearly will i ever return maybe i do return in my sleep and dreams

*how to write an acrostic poem examples and forms* - Jan 13 2023

web aug 14 2023 here are six types of acrostic poetry to inspire and challenge you 1 the conventional acrostic poem the conventional acrostic poem uses the first letter or word of each line to spell out a related word or phrase edgar allan poe gave us one of many acrostic poem examples that follow this form

**south dakota acrostic poetry interactive for 2nd 5th grade** - Nov 30 2021

web this south dakota acrostic poetry interactive is suitable for 2nd 5th grade in this online interactive language arts worksheet students write an acrostic poem regarding south dakota using the letters south dakota this worksheet may also be  
*acrostic poems all about me and my favorite things* - Aug 08 2022

web use the acrostic poem interactive to publish your poems the acrostic poem tool allows students to type in a word create an acrostic poem and then print out their writing or use the readwritethink printing press interactive to publish your poems the flyer templates will work for individual poems students might use the booklet template to

printable acrostic poems for fall free the art kit - May 05 2022

web aug 23 2023 printable acrostic poems for fall free printable acrostic poems for fall for kids are available to download for free acrostic poems are so fun for kids and a great way to work on poetry skills these poems were designed with the season of fall in mind but you could certainly use them any time these are the perfect creative

**printable north dakota acrostic worksheet apples4theteacher** - Oct 22 2023

web oct 22 2023 interactive printable north dakota acrostic worksheet create your own poetry about the state of north dakota with this fun elementary printable u s geography worksheet create a sentence that begins with each letter found in north dakota it can be a complete thought or represent something found in the state of north dakota

north dakota acrostic poem - Apr 04 2022

web download north dakota acrostic poem north dakota acrostic poem safe patient handling guidebook va course pre acs 2011 answers aleks to answers questions and opengl

*north dakota acrostic poem cyberlab sutd edu sg* - Feb 14 2023

web each letter becomes part of a line in the poem revealing a thought or a clue about the poem s topic award winning author brian p cleary shows how even the wackiest words can make an acrostic poem bow tie pasta is packed with acrostics to make you snicker and snort and when you ve finished reading you can try your hand at writing your own

**alliteration all around read write think** - Sep 09 2022

web students put on skits or puppet shows based on their alliterative books or acrostic poems students compile all of their acrostic poems and create an alliterative class poetry book this book can be put on display in the school library for other students to read and enjoy

**northdakotaacrosticpoem copy vault sensepost** - Jun 06 2022

web poem acrostic poems and other verses children s britannica room 214 a year in poems the american humanities index worldly things the north dakota quarterly bloodroot name into word reedy s mirror missionary tidings south dakota alumni quarterly local and national poets of america collier s encyclopedia collier s encyclopedia

*acrostic poem about north dakota lesson plans worksheets* - Sep 21 2023

web in this north dakota worksheet students write an acrostic poem students use the letters in north dakota to begin each new line of poetry about the state of north dakota get free access see review

*american indians of nd north dakota studies* - Jun 18 2023

web you may make several sentences but the information should be about north dakota acrostic poems the first letters of the line spell out a word that has something to do with the poem lanterns japanese poem that is written in the shape of a japanese lantern line 1 one syllable line 2 two syllables line 3 three syllables line 4

**citizenship north dakota studies constitution acrostic flashcards** - Mar 15 2023

web toggling navigation initially navigation about us contact curricula 4th grade 8th grade high middle

**north dakota acrostic poem db csda org** - Feb 02 2022

web north dakota acrostic poem 3 3 places fictional characters animals holidays festivals legends lore and more south dakota alumni quarterly the big north dakota activity book engrossing tales from the fifth grade every child is like a little world with ever changing weather nights and mornings and somehow here we are spinning

**a poem of gratitude from north dakota the new york times** - Apr 16 2023

web nov 25 2020 a poem of gratitude from north dakota the new york times asked poets laureate from across the country what the people in their states had to be thankful for in this difficult year share full article

proverbs 31 as an acrostic poem bible odyssey - Jan 01 2022

web the acrostic form echoes through lamentations even in its absence in prov 31 10 31 too the acrostic form fits the purpose of the poem and the book this poem paints a picture of a woman who embodies real practical wisdom from a to z or from aleph to tav

*poems about native american acrostic poetrysoup com* - Mar 03 2022

web these are the best examples of acrostic native american poems written by international poets m e l e k a l i k i m a k a my friend constance la france creativity one of her best attributes native american she finds strength in her ojibwa roots tragedy at a

**management foundation studies sim** - May 02 2022

web programme outline developed and awarded by singapore institute of management singapore the 6 month programme equips you with foundational management skills and prepares you to enrol in a diploma programme the programme is designed to provide appropriate foundation for students who wish to know the fundamentals of

foundations of finance the logic and practice of financial management - Oct 07 2022

web aug 22 2019 the five key principles for the foundations of finance foundations of finance retains its foundational approach to the key concepts of finance bolstered by real world vignettes cases

**foundations of financial management by stanley b block** - Jun 15 2023

web stanley b block 4 00 1 rating0 reviews note this book does not include an access code foundations of financial management has built a loyal following due to its strong real world emphasis clear writing style and step by

**important foundations of financial management 2024 guide** - Apr 01 2022

web here are some key aspects highlighting its importance financial management ensures efficient allocation of scarce resources preventing wastage and optimizing the use of capital by analyzing

*foundations of financial management open library* - Dec 09 2022

web dec 7 2022 foundations of financial management the mcgraw hill irwin series in finance insurance and real estate  
january 2006 mcgraw hill companies paperback in english 11th edition

**foundations of financial management mcgraw hill** - Oct 19 2023

web foundations of financial management 18th edition isbn10 126409762x isbn13 9781264097623 by stanley block geoffrey  
hirt and bartley danielsen 2023 purchase options lowest price ebook from 59 00 print from 70 00 connect from 154 66  
mcgraw hill ebook 180 days rental expires 5 16 2024 59 00 lifetime purchase 94 00

**foundations of financial management google books** - May 14 2023

web jan 7 2016 mcgraw hill education jan 7 2016 business economics 768 pages foundations of financial management has  
built a loyal following due to its strong real world emphasis clear writing style and step by step explanations that

**foundations of financial management 18th edition vitalsource** - Mar 12 2023

web foundations of financial management 18th edition is written by stanley block and published by mcgraw hill higher  
education the digital and etextbook isbns for foundations of financial management are 9781266040917 1266040919 and the  
print isbns are 9781264097623 126409762x save up to 80 versus print by going digital

**fundamentals of financial management commerce mates** - Jul 04 2022

web financial management means applying management principles to manage financial resources of an organisation it simply  
involves planning organising directing and controlling financial operations to manage finance of an organisation efficiently  
financial management ensures that an adequate amount of funds is always available in business

**foundations of financial management amazon com** - Jan 10 2023

web jan 7 2016 the text focuses on the nuts and bolts of finance with clear and thorough treatment of concepts and  
applications in addition to completing the revisions block hirt and danielsen also revise all end of chapter problems

**foundations of financial management 8th cdn edition** - Apr 13 2023

web apr 8 2009 foundations of financial management 8th cdn edition blockfoundations of financial management is a proven  
and successful text recognized for its excellent writing style and step by step explanations that make the content relevant  
and easy to understand

foundations of financial management canadian edition - Jun 03 2022

web foundations of financial management canadian edition 12th edition is written by stanley b block geoffrey a hirt bartley  
danielsen doug short and published by mcgraw hill ryerson ltd canada the digital and etextbook isbns for foundations of  
financial management canadian edition are 9781260889581 1260889580 and the print isbns

foundations of finance pearson - Sep 06 2022

web foundations of finance a01 keow7264 10 se fm indd 1 11 30 18 7 26 pm a01 keow7264 10 se fm indd 2 11 30 18 7 26 pm

the logic and practice of financial management tenth edition foundations of finance arthur j keown virginia polytechnic institute and state university r b pamplin professor of finance john d martin

**foundations of financial management mheducation ca** - Sep 18 2023

web feb 10 2021 foundations of financial management new smartbook 2 0 connect s smartbook 2 0 provides more personalization productivity and accessibility to improve canadian perspective familiar and new examples from the markets illustrate financial concepts including examples problem solving

**pdf foundations of financial management semantic scholar** - Jul 16 2023

web foundations of financial management stanley b block geoffrey a hirt published 1978 economics business part 1 introduction 1 the goals and functions of financial management part 2 financial analysis and planning 2 review of accounting 3 financial analysis 4 financial forecasting 5 operating and financial leverage part 3 working

[foundations of financial management amazon com](#) - Aug 17 2023

web aug 8 2018 in stock foundations of financial management has built a loyal following due to its strong real world emphasis clear writing style and step by step explanations that simplify difficult concepts the text focuses on the nuts and bolts of finance with clear and thorough treatment of concepts and applications

**ffm foundations in financial management acca global** - Nov 08 2022

web ffm foundations in financial management you ll develop knowledge and understanding of ways organisations finance their operations plan and control cash flows optimise their use of working capital and allocate resources to

*foundations of finance 10th edition etextbook subscription* - Feb 11 2023

web sep 15 2020 part 1 the scope and environment of financial management 1 an introduction to the foundations of financial management 2 the financial markets and interest rates 3 understanding financial statements and cash flows 4 evaluating a firm s financial performance part 2 the valuation of

[foundations of financial management hardcover jan 1 1706](#) - Feb 28 2022

web foundations of financial management has built a loyal following due to its strong real world emphasis clear writing style and step by step explanations that simplify difficult concepts the text focuses on the nuts and bolts of finance with clear and thorough treatment of concepts and applications in addition to completing the revisions

**foundations of financial management open library** - Aug 05 2022

web dec 10 2022 april 1 2008 created by an anonymous user imported from scriblio marc record foundations of financial management by stanley b block 1989 irwin edition