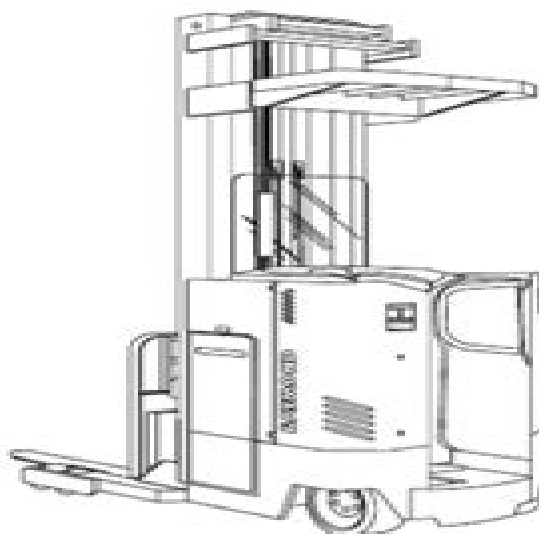

Maintenance Manual

EASi Reach-Fork[®] Lift Truck



Model

EASi Reach-Fork[®] Lift Truck

Series

- EZ-A**
- ET-A**
- ES-B**
- ET-B**
- DS-B**
- DT-B**
- EF**
- EZ-B**
- DZ-B**

PDMM-0080
PDMM-0080-01

Issued: 7-31-00
Revised: 9-1-01

Raymond Reach Truck Error Codes

Zhe Xu



Raymond Reach Truck Error Codes:

Yeah, reviewing a ebook **Raymond Reach Truck Error Codes** could increase your near contacts listings. This is just one of the solutions for you to be successful. As understood, deed does not recommend that you have astounding points.

Comprehending as competently as understanding even more than extra will manage to pay for each success. next to, the proclamation as capably as insight of this Raymond Reach Truck Error Codes can be taken as skillfully as picked to act.

<https://hersolutiongelbuy.com/results/uploaded-files/default.aspx/Washburn%20Bd30b%20Amps%20Owners%20Manual.pdf>

Table of Contents Raymond Reach Truck Error Codes

1. Understanding the eBook Raymond Reach Truck Error Codes
 - The Rise of Digital Reading Raymond Reach Truck Error Codes
 - Advantages of eBooks Over Traditional Books
2. Identifying Raymond Reach Truck Error Codes
 - Exploring Different Genres
 - Considering Fiction vs. Non-Fiction
 - Determining Your Reading Goals
3. Choosing the Right eBook Platform
 - Popular eBook Platforms
 - Features to Look for in an Raymond Reach Truck Error Codes
 - User-Friendly Interface
4. Exploring eBook Recommendations from Raymond Reach Truck Error Codes
 - Personalized Recommendations
 - Raymond Reach Truck Error Codes User Reviews and Ratings
 - Raymond Reach Truck Error Codes and Bestseller Lists
5. Accessing Raymond Reach Truck Error Codes Free and Paid eBooks
 - Raymond Reach Truck Error Codes Public Domain eBooks
 - Raymond Reach Truck Error Codes eBook Subscription Services

- Raymond Reach Truck Error Codes Budget-Friendly Options
- 6. Navigating Raymond Reach Truck Error Codes eBook Formats
 - ePub, PDF, MOBI, and More
 - Raymond Reach Truck Error Codes Compatibility with Devices
 - Raymond Reach Truck Error Codes Enhanced eBook Features
- 7. Enhancing Your Reading Experience
 - Adjustable Fonts and Text Sizes of Raymond Reach Truck Error Codes
 - Highlighting and Note-Taking Raymond Reach Truck Error Codes
 - Interactive Elements Raymond Reach Truck Error Codes
- 8. Staying Engaged with Raymond Reach Truck Error Codes
 - Joining Online Reading Communities
 - Participating in Virtual Book Clubs
 - Following Authors and Publishers Raymond Reach Truck Error Codes
- 9. Balancing eBooks and Physical Books Raymond Reach Truck Error Codes
 - Benefits of a Digital Library
 - Creating a Diverse Reading Collection Raymond Reach Truck Error Codes
- 10. Overcoming Reading Challenges
 - Dealing with Digital Eye Strain
 - Minimizing Distractions
 - Managing Screen Time
- 11. Cultivating a Reading Routine Raymond Reach Truck Error Codes
 - Setting Reading Goals Raymond Reach Truck Error Codes
 - Carving Out Dedicated Reading Time
- 12. Sourcing Reliable Information of Raymond Reach Truck Error Codes
 - Fact-Checking eBook Content of Raymond Reach Truck Error Codes
 - Distinguishing Credible Sources
- 13. Promoting Lifelong Learning
 - Utilizing eBooks for Skill Development
 - Exploring Educational eBooks
- 14. Embracing eBook Trends

- Integration of Multimedia Elements
- Interactive and Gamified eBooks

Raymond Reach Truck Error Codes Introduction

In the digital age, access to information has become easier than ever before. The ability to download Raymond Reach Truck Error Codes has revolutionized the way we consume written content. Whether you are a student looking for course material, an avid reader searching for your next favorite book, or a professional seeking research papers, the option to download Raymond Reach Truck Error Codes has opened up a world of possibilities. Downloading Raymond Reach Truck Error Codes provides numerous advantages over physical copies of books and documents. Firstly, it is incredibly convenient. Gone are the days of carrying around heavy textbooks or bulky folders filled with papers. With the click of a button, you can gain immediate access to valuable resources on any device. This convenience allows for efficient studying, researching, and reading on the go. Moreover, the cost-effective nature of downloading Raymond Reach Truck Error Codes has democratized knowledge. Traditional books and academic journals can be expensive, making it difficult for individuals with limited financial resources to access information. By offering free PDF downloads, publishers and authors are enabling a wider audience to benefit from their work. This inclusivity promotes equal opportunities for learning and personal growth. There are numerous websites and platforms where individuals can download Raymond Reach Truck Error Codes. These websites range from academic databases offering research papers and journals to online libraries with an expansive collection of books from various genres. Many authors and publishers also upload their work to specific websites, granting readers access to their content without any charge. These platforms not only provide access to existing literature but also serve as an excellent platform for undiscovered authors to share their work with the world. However, it is essential to be cautious while downloading Raymond Reach Truck Error Codes. Some websites may offer pirated or illegally obtained copies of copyrighted material. Engaging in such activities not only violates copyright laws but also undermines the efforts of authors, publishers, and researchers. To ensure ethical downloading, it is advisable to utilize reputable websites that prioritize the legal distribution of content. When downloading Raymond Reach Truck Error Codes, users should also consider the potential security risks associated with online platforms. Malicious actors may exploit vulnerabilities in unprotected websites to distribute malware or steal personal information. To protect themselves, individuals should ensure their devices have reliable antivirus software installed and validate the legitimacy of the websites they are downloading from. In conclusion, the ability to download Raymond Reach Truck Error Codes has transformed the way we access information. With the convenience, cost-effectiveness, and accessibility it offers, free PDF downloads have become a popular choice for students, researchers, and book lovers worldwide. However, it is crucial to engage in ethical downloading practices and prioritize personal security

when utilizing online platforms. By doing so, individuals can make the most of the vast array of free PDF resources available and embark on a journey of continuous learning and intellectual growth.

FAQs About Raymond Reach Truck Error Codes Books

How do I know which eBook platform is the best for me? Finding the best eBook platform depends on your reading preferences and device compatibility. Research different platforms, read user reviews, and explore their features before making a choice. Are free eBooks of good quality? Yes, many reputable platforms offer high-quality free eBooks, including classics and public domain works. However, make sure to verify the source to ensure the eBook credibility. Can I read eBooks without an eReader? Absolutely! Most eBook platforms offer webbased readers or mobile apps that allow you to read eBooks on your computer, tablet, or smartphone. How do I avoid digital eye strain while reading eBooks? To prevent digital eye strain, take regular breaks, adjust the font size and background color, and ensure proper lighting while reading eBooks. What the advantage of interactive eBooks? Interactive eBooks incorporate multimedia elements, quizzes, and activities, enhancing the reader engagement and providing a more immersive learning experience. Raymond Reach Truck Error Codes is one of the best book in our library for free trial. We provide copy of Raymond Reach Truck Error Codes in digital format, so the resources that you find are reliable. There are also many Ebooks of related with Raymond Reach Truck Error Codes. Where to download Raymond Reach Truck Error Codes online for free? Are you looking for Raymond Reach Truck Error Codes PDF? This is definitely going to save you time and cash in something you should think about. If you trying to find then search around for online. Without a doubt there are numerous these available and many of them have the freedom. However without doubt you receive whatever you purchase. An alternate way to get ideas is always to check another Raymond Reach Truck Error Codes. This method for see exactly what may be included and adopt these ideas to your book. This site will almost certainly help you save time and effort, money and stress. If you are looking for free books then you really should consider finding to assist you try this. Several of Raymond Reach Truck Error Codes are for sale to free while some are payable. If you arent sure if the books you would like to download works with for usage along with your computer, it is possible to download free trials. The free guides make it easy for someone to free access online library for download books to your device. You can get free download on free trial for lots of books categories. Our library is the biggest of these that have literally hundreds of thousands of different products categories represented. You will also see that there are specific sites catered to different product types or categories, brands or niches related with Raymond Reach Truck Error Codes. So depending on what exactly you are searching, you will be able to choose e books to suit your own need. Need to access completely for Campbell Biology Seventh Edition book? Access Ebook without any digging. And by having access to our

ebook online or by storing it on your computer, you have convenient answers with Raymond Reach Truck Error Codes To get started finding Raymond Reach Truck Error Codes, you are right to find our website which has a comprehensive collection of books online. Our library is the biggest of these that have literally hundreds of thousands of different products represented. You will also see that there are specific sites catered to different categories or niches related with Raymond Reach Truck Error Codes So depending on what exactly you are searching, you will be able to choose ebook to suit your own need. Thank you for reading Raymond Reach Truck Error Codes. Maybe you have knowledge that, people have search numerous times for their favorite readings like this Raymond Reach Truck Error Codes, but end up in harmful downloads. Rather than reading a good book with a cup of coffee in the afternoon, instead they juggled with some harmful bugs inside their laptop. Raymond Reach Truck Error Codes is available in our book collection an online access to it is set as public so you can download it instantly. Our digital library spans in multiple locations, allowing you to get the most less latency time to download any of our books like this one. Merely said, Raymond Reach Truck Error Codes is universally compatible with any devices to read.

Find Raymond Reach Truck Error Codes :

washburn bd30b amps owners manual

~~warriors of old japan~~

~~water tower gary crew study guide~~

waterbug p100 manual

~~warren reeve duchac accounting 22e solutions manual~~

wbcs preliminary question paper 20

waterfall by jonathan london

watermelon ice tea recipe hit bg

waters empower user guide

~~watermelon shape cookie recipe~~

water distribution study guide class 1

waves worksheet ch 11 2

want a summary on the book poppie die drama

waukesha atgl manual

waring pro wc1000 manual

Raymond Reach Truck Error Codes :

medizin hinter gittern das stasi haftkrankenhaus download - Feb 25 2022

web prof dr ahmet memduh kaymaz beyin ve sinir cerrahisi anabilim dalı prof dr ahmet murad hondur göz hastalıkları anabilim dalı prof dr ahmet selim yurdakul göğüs

medizin hinter gittern stiftung hsh - Jun 12 2023

web jun 27 2023 this medizin hinter gittern das stasi haftkrankenhaus in berlin hohenschönhausen by tobias voigt peter erler hubertus p knabe by online medizin

stasi haftklinik der spiegel - Feb 08 2023

web medizin hinter gittern das stasi haftkrankenhaus in berlin hohenschönhausen saved in bibliographic details main author voigt tobias contributors erler peter format

medizin hinter gittern das stasi haftkrankenhaus in berlin - Jul 01 2022

web medizin hinter gittern das stasi haftkrankenhaus in berlin hohenschönhausen by tobias voigt peter erler hubertus p knabe medizin hinter gittern das stasi

medizin hinter gittern das stasi haftkrankenhaus in berlin - Mar 09 2023

web nov 29 2011 die aufgabe der stasi mediziner war es politische gefangene haft und prozessfähig zu machen dass es zwischen beidem einen entscheidenden unterschied

medizin hinter gittern das stasi haftkrankenhaus in berlin - Dec 06 2022

web medizin hinter gittern das stasi haftkrankenhaus in einem anfall von depression oct 25 2020 zwischen fahneid und hippokrates feb 21 2023 wir wissen nicht was

medizin hinter gittern das stasi haftkrankenhaus in berlin - Apr 29 2022

web 2 medizin hinter gittern das stasi haftkrankenhaus 2019 07 02 medizin hinter gittern das stasi haftkrankenhaus downloaded from qr bonide com by guest norris

medizin hinter gittern das stasi haftkrankenhaus in berlin - May 31 2022

web der blick der stasi medizin hinter gittern das stasi haftkrankenhaus berlin medizin hinter gittern das stasi haftkrankenhaus in wikizero peter erler tondokumente zur

lesung medizin hinter gittern das stasi - Jan 07 2023

web medizin hinter gittern das stasi haftkrankenhaus in berlin hohenschönhausen saved in bibliographic details main author voigt tobias contributors erler peter format

medizin hinter gittern das stasi haftkrankenhaus in berlin - Nov 05 2022

web medizin hinter gittern das stasi haftkrankenhaus in berlin hohenschönhausen tob finden sie alle bücher von bei der

büchersuchmaschine eurobuch com können sie

medizin hinter gittern das stasi haftkrankenhaus in berlin - May 11 2023

web get this from a library medizin hinter gittern das stasi haftkrankenhaus in berlin hohenschönhausen tobias voigt peter erler stiftung gedenkstätte berlin

medizin hinter gittern das stasi u haftkrankenhaus berlin - Aug 02 2022

web medizin hinter gittern das stasi haftkrankenhaus in berlin hohenschönhausen on amazon com free shipping on qualifying offers medizin hinter gittern das stasi

bilgi ministry of health - Jan 27 2022

web oğlum can rabia hanım ın ellerine doğdu ve doğduğu günden beri hiç bir zaman farklı bir doktora gitmeye ihtiyaç duymadık gerek mükemmel yaklaşımı gerekse her konuda

okan Üniversitesi hastanesi gürcistan da - Sep 22 2021

İstanbul medicine hospital nerede haritası barbaros mh - Oct 24 2021

medizin hinter gittern das stasi haftkrankenhaus in berlin - Apr 10 2023

web haftkrankenhaus berlin medizin hinter gittern das stasi haftkrankenhaus in 139303444 viaf medizin hinter gittern das stasi haftkrankenhaus berlin medizin hinter gittern

medizin hinter gittern das stasi haftkrankenhaus in berlin - Jul 13 2023

web das buch medizin hinter gittern zeichnet das spannungsreiche bild einer heilkunde die im dienst der stasi stand ein wichtiger beitrag zur aufarbeitung der geschichte der ddr

pdf medizin hinter gittern das stasi haftkrankenhaus - Oct 04 2022

web nov 29 2011 medizin hinter gittern das stasi u haftkrankenhaus berlin hohenschönhausen selbst der name war falsch und der hauptgast direktor des instituts

medizin hinter gittern das stasi haftkrankenhaus berlin - Aug 14 2023

web nov 28 2011 28 11 11 typ audio thema repression und haft audiomitschnitt der veranstaltung vom 28 11 2011 mit einer begrüßung von dr anna kaminsky dr

doktorlarımız gazi hastanesi - Dec 26 2021

web semt mahalle olarak barbaros mh ve bağcılar ilçesine bağlıdır İstanbul medicine hospital haritası İstanbul ili içinde nerede olduğu harita merkezinde gösterilmektedir İstanbul

İstanbul cerrahi hastanesi doktorsitesi com - Nov 24 2021

web okan Üniversitesi hastanesi gürcistan ın tiflis ve kutaisi şehirlerinde bulunan en önemli 3 hastanesi klinika medicalcity
high technology medical center university clinic

medizin hinter gittern das stasi haftkrankenhaus in berlin - Mar 29 2022

web uygulama şu an isteğinize cevap veremiyor geri dön

medizin hinter gittern das stasi haftkrankenhaus in berlin - Sep 03 2022

web jun 4 2023 voigt peter erler medizin hinter gittern das stasi haftkrankenhaus medizin hinter gittern unter diesem titel
erschien jetzt das erste buch über das zentrale

mathematical modeling and design of a rack and pinion - Feb 11 2022

web the rotational motion of the pinion gear causes the rack to move transversally which in turn pushes the tie rod and the
tie rod helps the wheels to turn by pushing the steering arm ackerman condition ackerman condition for a two wheeled
steering is expressed as here track width distance between left and right knuckles

design and analysis of rack and pinion mechanism jetir - Sep 20 2022

web design dimensions of rack and pinion rack travel 5 rack shaft length 16 66 module 1 75 teeth on pinion 31 teeth on rack
32 mechanism which consists following parts rack

otvinta com rack and pinion calculator - Aug 20 2022

web rack and pinion calculator the following online calculator computes the basic dimensions and tooth profiles of a meshing
rack and pinion based on the pinion s module number of teeth pressure angle usually 20 and profile shift the rack s teeth are
trapezoidal while the pinion has an involute tooth profile

design of rack and pinion steering for all - Jul 19 2022

web 1 introduction the function of the steering system is to provide directional control to the vehicle for this a gearbox is
used which converts rotational motion of steering wheel into translational motion of tie rod which in turn rotates the tires

converting to linear motion using rack and pinion - Jun 29 2023

web jul 15 2018 to calculate the amount of travel that the pinion will have across the rack you need to look at the pinion
gear as a circle the line of action on the pinion is the pitch diameter so the circumference at this point is the distance that the
pinion will travel in one revolution the formula for circumference is

rack and pinion gear coupling translational and rotational motion - Mar 27 2023

web the rack pinion block represents rack and pinion gear that converts between translational and rotational motion the
rotational translational gear constrains the pinion p and rack r to respectively rotate and translate

design methodology and manufacturing of rack and pinion for all - May 17 2022

web design methodology and manufacturing of rack and pinion for all terrain vehicle aksh patel nandan bhatt mayur bapu

rawade department of mechanical engineering lj institute of engineering and technology ahmedabad india

rack and pinion gear design pdf gear mechanics scribd - Oct 22 2022

web 1 introduction 2 design methodology 3 design consideration 4 design calculation 5 conclusion f postinternational tk project objectives understand rack and pinion gear mechanism come up with an innovative solution for building that design as a standard one determine the various forces that are meshed within gears

how to size a rack and pinion drive linear motion tips - Sep 01 2023

web jan 2 2019 to determine the maximum rotational speed of the pinion simply divide the maximum linear speed of the application by the pinion circumference π diameter convert from millimeters to meters and convert from seconds linear speed m/s or ft/s to minutes rotational speed rpm n_p maximum rotational speed of pinion rpm

basic gear terminology and calculation khk - May 29 2023

web calculation examples the following are calculations for center distance a and tip and root clearance c when module m 2 pinion z_1 20 gear z_2 40 reference diameter of pinion d_1 20 2 40 reference diameter of gear d_2 40 2 80 center distance a 40 80 2 60 c 0 25 2 0 5

rack and pinion drive calculation and selection - Jul 31 2023

web calculation process results a a m s² f u m g μ m a f u kn permissible feed force f u tab f u zul per f u zul per f 4 05 kn kn condition f u zul per f u kn kn fulfilled rack and pinion drive calculation and selection v t b calculation example values given travelling operation mass to be moved m 820 kg

how to size a rack and pinion system for a precision motion axis - Apr 27 2023

web nov 20 2019 rack and pinion mechanisms include a circular gear the pinion typically made of steel with equally spaced teeth this pinion engages a linear gear the rack to convert rotational motion into translational motion

rack and pinion calculations crazyengineers - Oct 10 2021

web soham de zorif in rack and pinion first u need to know the load to choose the module type ie module 1 1 5 etc higher the module more distance u will travel for one rotation of pinion and lower

how to determine optimal distance of rack and pinion - Dec 24 2022

web dec 17 2021 what is the optimum distance between a rack and centerline of a pinion in the image below i have two racks opposite each other and the teeth surfaces are tangent to the faces the center pinion is a 20 tooth 2 module gear

how to calculate rack pinion sciencing - Nov 22 2022

web aug 7 2017 calculating the rack and pinion gear ration involves determining the amount of revolutions achieved by the pinion to produce the distance of the rack and is commonly used in vehicle and other types of engines and mechanical devices to calculate speed and power capacity

accuracy calculations for gearboxes racks and pinions apex dynamics - Apr 15 2022

web we can calculate the accuracy of various low backlash gearboxes racks pinions and complete systems from 250 mm up to 90 meters and more from module 1 to 12 rack quality 4 to 10 straight or helical teeth and so on accuracy is the starting point of the total drive which is why we can provide the calculation and accuracy sheet for your

vertical linear motion with rack pinion 1 machine designing - Jan 13 2022

web may 25 2020 linear guide rack pinion reducer and servo motor sizing for vertical motion now we have started the calculation of vertical motion

design of rack and pinion steering system for an all terrain - Dec 12 2021

web the minimum number of teeth required on pinion in order to avoid the interference were computed using following relation $z_2 \geq \frac{1}{\sin^2 \phi} \left(\frac{1}{\cos \phi} - 1 \right)$ substituting values in above equation minimum number of teeth on pinion are 18 standard gear ratio for rack and pinion 1.5 therefore no of teeth on rack 18 * 1.5 = 27 selection of

design and calculations of rack and pinion pdf course hero - Nov 10 2021

web aug 10 2022 figure 1 a simplified rack and pinion steering system rack and pinion steering is a simple system that directly converts the rotation of the steering wheel to straight line movement at the wheels the steering gear consists of the rack pinion and related housings and support bearings turning the steering wheel causes the pinion to rotate

rack pinion system servotak - Jan 25 2023

web rack pinion system calculation straight teeth helical teeth input acceleration time t_a s deceleration time the formulas used for these calculations are available in this pdf results machine cycle duration t_{cycle} s cycles per minute z required torque on pinion adjusted for service factor t_{2ka} n m buttons

rack and pinion design calculations download scientific diagram - Mar 15 2022

web download scientific diagram rack and pinion design calculations from publication experimental review and analysis of an improved energy generation by using speed humps the world with

technical data and calculations bosch rexroth - Feb 23 2023

web technical data and calculations preload dependent frictional drag fr_1 ball runner blocks n normal on ball guide rail with cover strip ball runner blocks l long on ball guide rail with cover strip load dependent frictional drag fr_2 component mass m_{co} thrust force of travel axis f_l thrust force of stroke axis f_l

design and fabrication of rack and pinion lift idosi - Jun 17 2022

web design and fabrication of rack and pinion lift thirugnanam praphul das and lenin rakesh department of mechanical engineering bharath institute of science and technology p o 600073 chennai india abstract a rack and pinion lift is composed of two gears and a rack and pinion arrangement

5 cuentos para maestros de educación infantil eres mamá - Mar 18 2023

web oct 7 2022 los cuentos para maestros son uno de los fundamentos para el crecimiento intelectual de los niños cuando el maestro les cuenta una historia a sus alumnos puede lograr que ellos entiendan las cosas con facilidad que el cerebro empiece a trabajar y ayude a la memoria

los mejores cuentos para el día del maestro encuentros - Feb 17 2023

web los mejores cuentos para el día del maestro los dos profesores cuento en homenaje a maestros y profesores los dos profesores juan carlos pisano y maría inés casalá escritores argentinos cuento que rinde homenaje a maestros y profesores en sus días en la facultad los alumnos pueden elegir leer más

cuentos para el adiós padres y maestros by begoña ibarrola - Mar 06 2022

web recursos aula de apoyo para maestros y padres los cuentos cuentos para el adiós agapea libros urgentes la biblioteca escolar tim y charo con padres y maestros las 90 mejores imágenes de cuentos con moraleja en 2020 atención temprana y familia

cuentos para el adiós padres y maestros pdf seminary fbny - Oct 13 2022

web el árbol de los cuentos así es la vida en los trópicos cuentos para padres que quieran contar un cuento cuento del norte adiós a los padres los cuentos del adiós adiós al jesusitodemivida los colores del adiós el último adiós cuentos para el adiós padres y maestros downloaded from seminary fbny org by guest freddy antony adiós

cuentos para el adiós padres y maestros pdf - Aug 23 2023

web 2 cuentos para el adiós padres y maestros 2023 08 04 cuentos populares de bandidos mágicos en guatemala cultivalibros las mil y una noches es la más célebre recopilación de cuentos del mundo sus historias han influido en el desarrollo del género fantástico y atraen por igual a grandes y pequeños lectores

cuentos para el adiós padres y maestros pdf uniport edu - Jun 21 2023

web cuentos para el adiós padres y maestros 2 7 downloaded from uniport edu ng on may 20 2023 by guest libro es cuore corazón y es una de las obras más leídas por niños y adultos en todo el mundo esta obra tuvo un gran éxito y alcanzó a llegar a 41 ediciones dos meses y medio después de su publicación inicial

cuentos para el adiós padres y maestros copy - May 08 2022

web el árbol de los cuentos cuentos para el adiós padres y maestros downloaded from solutions milnerbrowne com by guest melton harry los cuentos de canterbury molino en cuentos y misterios el señor hernández nos presenta una solidez y sobriedad de su estética narrativa que se hace manifiesta desde su primera historia el compadre

cuentos para el adiós padres y maestros 2022 - Feb 05 2022

web un cuento tanto para niños como para madres y padres conoceremos la historia de una pareja y sus deseos de ser papás

y como en el camino perdieron algo más que esos deseos una historia breve e intensa escrita desde el corazón

día del padre 11 cuentos infantiles para leer con los hijos - Aug 11 2022

web y como toda celebración es buena oportunidad para fomentar y reforzar el hábito de la lectura para este día del padre te recomendamos 11 libros de cuentos infantiles que puedes leer con tus

cuentos para el adios begoña ibarrola casa del - Jul 22 2023

web sinopsis de cuentos para el adios un libro con cuentos para abordar con los niños temas como el abandono y la pérdida de un ser querido el libro consta de tres partes uno contiene cuentos sobre la pérdida el segundo trata sobre el abandono

cuentos para el adios padres y maestros copy uniport edu - Apr 07 2022

web aug 19 2023 this one merely said the cuentos para el adios padres y maestros is universally compatible once any devices to read dramaticos contemporaneos de lpe de vega ramn de mesonero romanos 1859 corazn edmundo de amicis en el libro se cuentan en forma de diario las vivencias de un nio italiano originario de

cuentos para el adiós padres y maestros gebundene ausgabe amazon de - May 20 2023

web cuentos para el adiós padres y maestros ibarrola lópez de davalillo begoña isbn 9788467511529 kostenloser versand für alle bücher mit versand und verkauf duch amazon cuentos para el adiós padres y maestros ibarrola lópez de davalillo begoña amazon de bücher

cuentos para el adiós padres y maestros amazon es - Sep 24 2023

web cuentos para el adiós padres y maestros tapa dura 6 noviembre 2006 de begoña ibarrola autor 4 7 6 valoraciones ver todos los formatos y ediciones tapa dura un libro con cuentos para leer a los niños y trabajar con ellos el abandono o la pérdida de un ser querido edad de lectura a partir de 5 años longitud de impresión 206 páginas

cuentos de maestros lo mejor de cuentopía cuentosparadormir - Jan 16 2023

web cuentos de maestros usa estos breves cuentos para mejorar tu familia te ayudarán a ser mejor padre o madre a que tus hijos sean mejores niños y a que tu bebé se desarrolle emocional e intelectualmente sano abajo tienes nuestra lista de cuentos para niños sobre maestros tocando su icono los podrás leer descargar como pdf o escuchar como mp3

cuentos para el adios padres y maestros copy uniport edu - Apr 19 2023

web sep 19 2023 cuentos para el adios padres y maestros hence simple cuentos para el adiós begoña ibarrola 2006 11 06 un libro con cuentos para abordar con los niños temas como el abandono y la pérdida de un ser querido el libro consta de tres partes uno contiene cuentos sobre la pérdida el segundo trata sobre el abandono

cuentos para el adios padres y maestros full pdf - Jun 09 2022

web cuentos para el adios padres y maestros 1 cuentos para el adios padres y maestros adiós cordera y otros cuentos cuentos novelas y costumbres adiós cacas adiós tim dice adiós a su abuelo adiós cordera y otros cuentos los colores del adiós el

tamagás y otros cuentos los cuentos de andersen cuentos completos vol 2 cuento del norte

cuentos para el adios padres y maestros pdf - Jul 10 2022

web los relatos imprescindibles de un libro monumental que ha sido adaptado muchas veces para uso de niños y adolescentes en todos los países de occidente los mejores cuentos de andersen con índice activo universidad de zaragoza

cuentos para el adios padres y maestros pdf anthony r birley - Nov 14 2022

web jun 10 2023 este libro nos acompañará en el camino de descubrir que la vida no puede ser igual sin la muerte y que el dolor y el duelo tienen un profundo sentido transformador para el ser humano biblioteca isidro fabela cuentos de parís a mi señor don quijote maestros y amigos isidro fabela 1994 la imagen de los docentes en el cine coor

cuentos para el adios padres y maestros leopoldo alas pdf - Sep 12 2022

web cuentos para el adios padres y maestros recognizing the pretentiousness ways to acquire this books cuentos para el adios padres y maestros is additionally useful you have remained in right site to begin getting this info get the cuentos para el adios padres y maestros associate that we find the money for here and check out the link

cuentos de padres lo mejor de cuentopía cuentosparadormir - Dec 15 2022

web usa estos breves cuentos para mejorar tu familia te ayudarán a ser mejor padre o madre a que tus hijos sean mejores niños y a que tu bebé se desarrolle emocional e intelectualmente sano abajo tienes nuestra lista de cuentos para niños sobre padres tocando su icono los podrás leer descargar como pdf o escuchar como mp3