

15 - Cylinder head, valve gear

1 Cylinder head

- 7.1 Assembly overview - cylinder head, page 90
- 7.2 Removing and installing cylinder head, page 91
- 7.3 Assembly overview - cylinder head cover, page 100
- 7.4 Removing and installing cylinder head cover, page 101
- 7.5 Removing and installing vacuum pump, page 105
- 7.6 Checking compression, page 109

1.1 Assembly overview - cylinder head

1 - Cylinder head gasket

- Remove
- Cylinder head gasket identification [s. page 92](#)
- Remove coolant and engine oil after replacing

2 - 10 Nm

- Insert with locking fluid, locking fluid - Electronic parts catalogue (EPC)

3 - 100 Nm - G40

- For constant position
- Removing and installing [s. page 92b](#)

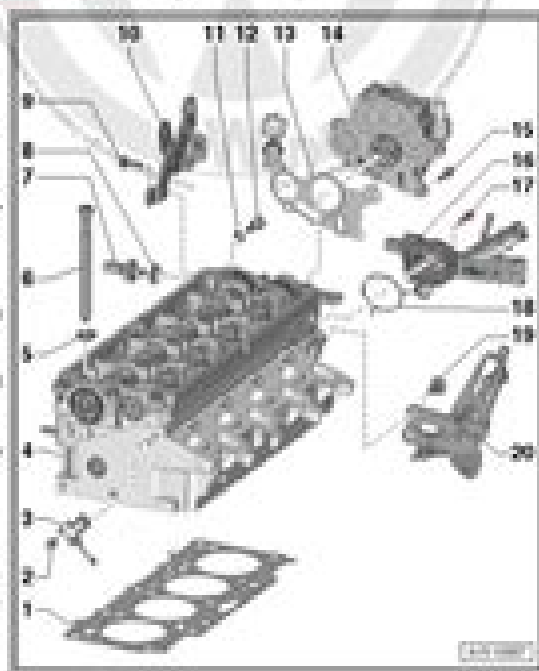
4 - Cylinder head

- Removing and installing [s. page 92](#)
- To prevent damage to glow plugs, always place cylinder head on a soft fabric surface after removal
- Check for distortion [s. page 92](#)
- Must not be reworked
- Before installing, check that the fan drive screws for cooling cylinder head on cylinder block are fitted
- Remove coolant and engine oil after replacing

5 - Washer

6 - Cylinder head bolt

- Remove
- Sequence when loosening [s. page 92](#)
- Specified torque and tightening sequence [s. page 92](#)



7 - Oil pressure switch - F1, 20 Nm

- Switch pressure 0.2 to 0.8 bar
- Removing and installing [s. page 102](#)
- Checking [s. page 102](#)

8 - Seal

- Remove

9 - 20 Nm

10 - Engine timing eye

11 - Seal

- Remove

12 - 20 Nm

13 - Seal

- Remove

14 - Vacuum pump

- Removing and installing [s. page 105](#)

15 - 10 Nm

16 - Union

- For coolant hoses
- With coolant temperature sensor - GDC

17 - 8 Nm

18 - Seal

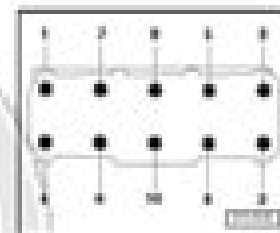
- Remove

19 - 20 Nm

20 - Engine timing eye

Observe sequence when loosening cylinder head bolts

- Loosen the cylinder head bolts in the sequence 1 to 10

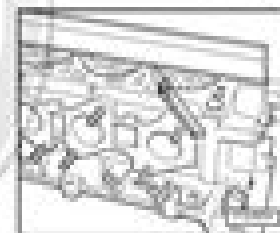


Checking cylinder head for distortion

- Use straight edge and feeler gauge to measure cylinder head for distortion at several points
- Max. permissible distortion 0.1 mm



Cylinder heads for TDI engines must not be reworked



Vw Golf Mkgti Cabriolet Workshop Manual

Charles O. Probst



Vw Golf Mkgti Cabriolet Workshop Manual:

Volvo 240 Service Manual 1983 Through 1993 Bentley Publishers,1993 Vehicle Maintenance *Volkswagen Jetta, Golf, GTI, Cabrio Service Manual, 1993-1999* Bentley Publishers,Robert Bentley, inc,1999 Bentley Publishers is the exclusive factory authorized publisher of Volkswagen Service Manuals in the United States and Canada In every manual we provide full factory repair procedures specifications tolerances electrical wiring diagrams and lubrication and maintenance information Bentley manuals are the only complete authoritative source of Volkswagen maintenance and repair information Even if you never intend to service your car yourself you ll find that owning a Bentley Manual will help you to discuss repairs more intelligently with your service technician *Subject Guide to Books in Print ,1971* **Bentley BMW 5-Series 1989-95 Service Manual** Bentley Publishers,1998-07-03 If you re looking for better understanding of your BMW look no further This manual provides the highest level of clarity and completeness for all service and repair procedures Covers 525i 530i 535i 540i including touring **Volkswagen Sport Tuning for Street and Competition** Per Schroeder,1997 A comprehensive guide for buying and modifying a water cooled Volkswagen to get the best performance for autocrossing road racing or street legal fun **Bosch Fuel Injection and Engine Management** C Probst,1989-11-27 This Bosch Bible fully explains the theory troubleshooting and service of all Bosch systems from D Jetronic through the latest Motronics Includes high performance tuning secrets and information on the newest KE and LH Motronic systems not available from any other source **Saab 900, 16 Valve Official Service Manual, 1985-1993** Bentley,Bentley Publishers,1993 These official Saab manuals are the only factory authorized comprehensive single source of service information and specifications available Whether you re a professional technician or a do it yourselfer these manuals will help you understand care for and repair your Saab Everything from fundamental automotive concepts and maintenance procedures to complex electrical system troubleshooting and complete engine overhaul is clearly explained Critical updates and information from the Saab Service Information Manual the Parts Service Information System and Saab Service Training have been included as well as fast proven repair procedures and tips used by Saab technicians **Going Faster!** Carl Lopez,2001 This complete racer s reference is the perfect resource for all drivers from novice to expert The fundamentals of fast driving are revealed in this definitive how to book for racers You will find the competition proven methods of instructors and of professional drivers that will give you the know how to work up the track and stay at the front Interested in the world of racing Just think you can have all of the lessons and insights from Skip Barber instructors and from professional racers compiled in one handbook This racing reference reveals the secrets of mastering car control reducing lap times as it takes the reader inside the world of racing Going Faster is the definitive book for the active race driver the racer to be and the auto racing fan who wants to know what driving a racecar is really about *VW GTI, Golf, Jetta, MK III & IV* Kevin Clemens, Volkswagen s GTI Golf and Jetta are long time favorites among sport compact performance enthusiasts With engines ranging from the 2 0 liter naturally

aspirated four cylinder to the 1.8 liter turbo 4 to the VR6 the Mk III and Mk IV generations 1993-2004 offer tuners a wealth of opportunities This book turns these opportunities into realities from deciding which vehicle to buy to keeping it running in tip top condition to enhancing the performance and appearance of your VW Focusing on the engine wheels and tires suspension body kits interiors and more each project includes straightforward instruction along with details about the necessary parts cost time and skill If you want to get the biggest bang for your VW buck this book is your road map

Toyota Corolla Service Manual, 1980, 1981, 1982, 1983, 1983 The Toyota Truck Land Cruiser Owner's Bible™ is the authoritative companion book for your Toyota truck whether it's a heavy hauling pickup rugged off road FJ40 or a new Land Cruiser that's never left pavement Author veteran truck mechanic and off road expert Moses Ludel has written the only comprehensive source of information for Toyota Trucks and Land Cruisers a history buyer's guide service manual and high performance tuning book all in one Discover every aspect of Toyota trucks from their origins in 1958 to the latest technological advances You'll learn tips for buying the right new or used truck and which accessories make sense for your needs Step by step procedures with hundreds of photos cover basic maintenance and more complicated work like tune ups valve adjustments brake jobs and installing aftermarket suspension lift kits Get the hot set up for your truck whether you want low end torque or high RPM power Moses gives specific tuning recommendations for engines from the early inline 6s to the advanced 4.5L 24 valve DJ engine He shares expert insights into the best high performance components and the latest technology from Toyota Racing Development You'll also find suspension and chassis modifications and the best tire and wheel combinations

Chilton's Import Car Repair Manual 1983-90 Chilton Automotive Books, 1989-10 Maintenance specifications step by step parts replacements Supercharged! Design, Testing and Installation of Supercharger Systems

Corky Bell, 2002-01-07 The supercharger has become a modern environmentally friendly and powerful piece of bolt on equipment For anyone interested in installing a system or just learning about them this book is a must have **BMW**

Enthusiast's Companion BMW Car Club of America, 1995 BMW owners and BMW CCA members provide specific information for your BMW Valuable insights and technical information ranging from basic service tips to advanced driving theory Inside secrets on maintaining and preserving your BMW from properly washing and waxing your car to how to reset the service indicator lights Driving techniques ranging from basic car control to choosing apexes on the track Discover whether your car oversteers or understeers and how weight transfer affects traction and vehicle performance Learn the difference between torque and horsepower and how to select the right tires for your BMW Find out which performance modifications work which ones don't and why *Ford Fuel Injection & Electronic Engine Control* Charles O. Probst, 1993

The authoritative hands on book for Ford Engine Control Systems Author Charles Probst worked directly with Ford engineers trainers and technicians to bring you expert advice and inside information on the operation of Ford systems His comprehensive troubleshooting service procedures and tips will help you master your Ford's engine control system

Motor Imported Car Repair Manual, 1987 *The Official Ford Mustang 5.0* Al Kirschenbaum, 2000 The essential Mustang resource for rebuilding researching restoring and upgrading 1979 through 1993 V 8 models including GT LX Cobra Cobra R police cars and limited editions *Volkswagen Beetle* Edwin Baaske, 1997 A cultural history of the Volkswagen Beetle as told through historical photographs many never before published in the U S From the birth of the Beetle in wartime Germany through the development of the New Beetle prototype Volkswagen Beetle Portrait of a Legend celebrates a lighthearted unusual view of the most successful automobile in history This book is not a how to identify your Beetle book nor is it a year by year charting of model changes Rather through other people s experiences of the car it allows readers to recall their own fond memories of what it was really like to own a Beetle in its heyday **Toyota Truck & Land Cruiser Owner's Bible** Moses Ludel, 1995 A Hands on Guide To Getting The Most From Your Toyota The Toyota Truck Land Cruiser Owner s Bible is the authoritative companion book for your Toyota truck whether it s a heavy hauling pickup rugged off road FJ40 or a new Land Cruiser that s never left pavement Author veteran truck mechanic and off road expert Moses Ludel has written the only comprehensive source of information for Toyota Trucks and Land Cruisers a history buyer s guide service manual and high performance tuning book all in one Discover every aspect of Toyota trucks from their origins in 1958 to the latest technological advances You ll learn tips for buying the right new or used truck and which accessories make sense for your needs Step by step procedures with hundreds of photos cover basic maintenance and more complicated work like tune ups valve adjustments brake jobs and installing aftermarket suspension lift kits Get the hot set up for your truck whether you want low end torque or high RPM power Moses gives specific tuning recommendations for engines from the early inline 6s to the advanced 4 5L 24 valve DJ engine He shares expert insights into the best high performance components and the latest technology from Toyota Racing Development You ll also find suspension and chassis modifications and the best tire and wheel combinations Comprehensive coverage of Toyota Trucks and Land Cruisers from 1958 1996 including 4Runner SR 5 Tacoma T 100 FJ25 FJ40 FJ43 FJ45 FJ55 FJ80 FJ60 DJ80 Stout Hi Lux Xtra Cab Cab and Chassis Models **The Leading Edge** Goro Tamai, 1999 The purpose of this book is to provide a basic understanding of the aerodynamics involved in designing an ultra streamlined land vehicle It describes many of the important design goals and parameters for producing a low drag body It is designed to be a how to manual for the budding ground up solar car and ultralight vehicle constructor as well as the solar electric ultralight vehicle enthusiast *Alfa Romeo Owners Bible* P Braden, 1994-08-19 Head gasket repairs valve adjustments camshaft timing carb and SPICA fuel injection tuning and driveshaft donut replacement are all explained Experienced hands on guidance thatll keep you in the drivers seat

Vw Golf Mkgti Cabriolet Workshop Manual Book Review: Unveiling the Power of Words

In a world driven by information and connectivity, the energy of words has become more evident than ever. They have the capacity to inspire, provoke, and ignite change. Such could be the essence of the book **Vw Golf Mkgti Cabriolet Workshop Manual**, a literary masterpiece that delves deep into the significance of words and their effect on our lives. Compiled by a renowned author, this captivating work takes readers on a transformative journey, unraveling the secrets and potential behind every word. In this review, we will explore the book's key themes, examine its writing style, and analyze its overall effect on readers.

<https://hersolutiongelbuy.com/files/Resources/index.jsp/olympus%20ix70%20microscope%20manual.pdf>

Table of Contents Vw Golf Mkgti Cabriolet Workshop Manual

1. Understanding the eBook Vw Golf Mkgti Cabriolet Workshop Manual
 - The Rise of Digital Reading Vw Golf Mkgti Cabriolet Workshop Manual
 - Advantages of eBooks Over Traditional Books
2. Identifying Vw Golf Mkgti Cabriolet Workshop Manual
 - Exploring Different Genres
 - Considering Fiction vs. Non-Fiction
 - Determining Your Reading Goals
3. Choosing the Right eBook Platform
 - Popular eBook Platforms
 - Features to Look for in an Vw Golf Mkgti Cabriolet Workshop Manual
 - User-Friendly Interface
4. Exploring eBook Recommendations from Vw Golf Mkgti Cabriolet Workshop Manual
 - Personalized Recommendations
 - Vw Golf Mkgti Cabriolet Workshop Manual User Reviews and Ratings
 - Vw Golf Mkgti Cabriolet Workshop Manual and Bestseller Lists

5. Accessing Vw Golf Mkgti Cabriolet Workshop Manual Free and Paid eBooks
 - Vw Golf Mkgti Cabriolet Workshop Manual Public Domain eBooks
 - Vw Golf Mkgti Cabriolet Workshop Manual eBook Subscription Services
 - Vw Golf Mkgti Cabriolet Workshop Manual Budget-Friendly Options
6. Navigating Vw Golf Mkgti Cabriolet Workshop Manual eBook Formats
 - ePub, PDF, MOBI, and More
 - Vw Golf Mkgti Cabriolet Workshop Manual Compatibility with Devices
 - Vw Golf Mkgti Cabriolet Workshop Manual Enhanced eBook Features
7. Enhancing Your Reading Experience
 - Adjustable Fonts and Text Sizes of Vw Golf Mkgti Cabriolet Workshop Manual
 - Highlighting and Note-Taking Vw Golf Mkgti Cabriolet Workshop Manual
 - Interactive Elements Vw Golf Mkgti Cabriolet Workshop Manual
8. Staying Engaged with Vw Golf Mkgti Cabriolet Workshop Manual
 - Joining Online Reading Communities
 - Participating in Virtual Book Clubs
 - Following Authors and Publishers Vw Golf Mkgti Cabriolet Workshop Manual
9. Balancing eBooks and Physical Books Vw Golf Mkgti Cabriolet Workshop Manual
 - Benefits of a Digital Library
 - Creating a Diverse Reading Collection Vw Golf Mkgti Cabriolet Workshop Manual
10. Overcoming Reading Challenges
 - Dealing with Digital Eye Strain
 - Minimizing Distractions
 - Managing Screen Time
11. Cultivating a Reading Routine Vw Golf Mkgti Cabriolet Workshop Manual
 - Setting Reading Goals Vw Golf Mkgti Cabriolet Workshop Manual
 - Carving Out Dedicated Reading Time
12. Sourcing Reliable Information of Vw Golf Mkgti Cabriolet Workshop Manual
 - Fact-Checking eBook Content of Vw Golf Mkgti Cabriolet Workshop Manual
 - Distinguishing Credible Sources
13. Promoting Lifelong Learning

- Utilizing eBooks for Skill Development
 - Exploring Educational eBooks
14. Embracing eBook Trends
- Integration of Multimedia Elements
 - Interactive and Gamified eBooks

Vw Golf Mkgti Cabriolet Workshop Manual Introduction

Free PDF Books and Manuals for Download: Unlocking Knowledge at Your Fingertips In today's fast-paced digital age, obtaining valuable knowledge has become easier than ever. Thanks to the internet, a vast array of books and manuals are now available for free download in PDF format. Whether you are a student, professional, or simply an avid reader, this treasure trove of downloadable resources offers a wealth of information, conveniently accessible anytime, anywhere. The advent of online libraries and platforms dedicated to sharing knowledge has revolutionized the way we consume information. No longer confined to physical libraries or bookstores, readers can now access an extensive collection of digital books and manuals with just a few clicks. These resources, available in PDF, Microsoft Word, and PowerPoint formats, cater to a wide range of interests, including literature, technology, science, history, and much more. One notable platform where you can explore and download free Vw Golf Mkgti Cabriolet Workshop Manual PDF books and manuals is the internet's largest free library. Hosted online, this catalog compiles a vast assortment of documents, making it a veritable goldmine of knowledge. With its easy-to-use website interface and customizable PDF generator, this platform offers a user-friendly experience, allowing individuals to effortlessly navigate and access the information they seek. The availability of free PDF books and manuals on this platform demonstrates its commitment to democratizing education and empowering individuals with the tools needed to succeed in their chosen fields. It allows anyone, regardless of their background or financial limitations, to expand their horizons and gain insights from experts in various disciplines. One of the most significant advantages of downloading PDF books and manuals lies in their portability. Unlike physical copies, digital books can be stored and carried on a single device, such as a tablet or smartphone, saving valuable space and weight. This convenience makes it possible for readers to have their entire library at their fingertips, whether they are commuting, traveling, or simply enjoying a lazy afternoon at home. Additionally, digital files are easily searchable, enabling readers to locate specific information within seconds. With a few keystrokes, users can search for keywords, topics, or phrases, making research and finding relevant information a breeze. This efficiency saves time and effort, streamlining the learning process and allowing individuals to focus on extracting the information they need. Furthermore, the availability of free PDF books and manuals fosters a culture of continuous learning. By removing financial barriers, more people can access educational resources and pursue lifelong

learning, contributing to personal growth and professional development. This democratization of knowledge promotes intellectual curiosity and empowers individuals to become lifelong learners, promoting progress and innovation in various fields. It is worth noting that while accessing free Vw Golf Mkgti Cabriolet Workshop Manual PDF books and manuals is convenient and cost-effective, it is vital to respect copyright laws and intellectual property rights. Platforms offering free downloads often operate within legal boundaries, ensuring that the materials they provide are either in the public domain or authorized for distribution. By adhering to copyright laws, users can enjoy the benefits of free access to knowledge while supporting the authors and publishers who make these resources available. In conclusion, the availability of Vw Golf Mkgti Cabriolet Workshop Manual free PDF books and manuals for download has revolutionized the way we access and consume knowledge. With just a few clicks, individuals can explore a vast collection of resources across different disciplines, all free of charge. This accessibility empowers individuals to become lifelong learners, contributing to personal growth, professional development, and the advancement of society as a whole. So why not unlock a world of knowledge today? Start exploring the vast sea of free PDF books and manuals waiting to be discovered right at your fingertips.

FAQs About Vw Golf Mkgti Cabriolet Workshop Manual Books

How do I know which eBook platform is the best for me? Finding the best eBook platform depends on your reading preferences and device compatibility. Research different platforms, read user reviews, and explore their features before making a choice. Are free eBooks of good quality? Yes, many reputable platforms offer high-quality free eBooks, including classics and public domain works. However, make sure to verify the source to ensure the eBook credibility. Can I read eBooks without an eReader? Absolutely! Most eBook platforms offer web-based readers or mobile apps that allow you to read eBooks on your computer, tablet, or smartphone. How do I avoid digital eye strain while reading eBooks? To prevent digital eye strain, take regular breaks, adjust the font size and background color, and ensure proper lighting while reading eBooks. What the advantage of interactive eBooks? Interactive eBooks incorporate multimedia elements, quizzes, and activities, enhancing the reader engagement and providing a more immersive learning experience. Vw Golf Mkgti Cabriolet Workshop Manual is one of the best book in our library for free trial. We provide copy of Vw Golf Mkgti Cabriolet Workshop Manual in digital format, so the resources that you find are reliable. There are also many Ebooks of related with Vw Golf Mkgti Cabriolet Workshop Manual. Where to download Vw Golf Mkgti Cabriolet Workshop Manual online for free? Are you looking for Vw Golf Mkgti Cabriolet Workshop Manual PDF? This is definitely going to save you time and cash in something you should think about.

Find Vw Golf Mkgti Cabriolet Workshop Manual :

[olympus ix70 microscope manual](#)

[oiler test study guide](#)

[olive martini loaf recipe](#)

[olympus bx41 repair manual](#)

olympus d 520 zoom digital cameras owners manual

[olympus omd em5 user guide](#)

[oliver reference manual](#)

oil pump adjustment 2002 arctic cat z 570

[oki c5500 c5800 c6100 service repair manual](#)

olympus customer service phone number

[old world manicotti recipe](#)

~~[olympus magna mike 8500 operations manual](#)~~

okuma osp700 parameter manual

[olympus ws 700m manual](#)

[oil for mercruiser bravo 2 manual](#)

Vw Golf Mkgti Cabriolet Workshop Manual :

future growth for potatoes current and emerging trends as - Sep 01 2022

web mar 24 2021 technological advances and turnkey machinery allow small agile producers to gain competitive advantages and open new markets strategic and innovative delivery opportunities exist responding to consumer demands

potato producers can position themselves to compete with categories other than vegetables

the production of new potato varieties google books - Oct 02 2022

web the book outlines strategies used in the breeding and testing of potato varieties it considers

[the production of new potato varieties technological advances](#) - May 29 2022

web may 29 2008 therefore advances in the production of new potato varieties will greatly contribute to

the production of new potato varieties technological advances - Jul 11 2023

web the production of new potato varieties technological advances resistance to storage diseases in breeding stocks semantic

scholar doi 10 1017 cbo9780511895463 021 corpus id 83157051

the production of new potato varieties technological advances - Aug 12 2023

web this book first published in 1987 outlines the strategies used in the breeding and testing of potato cultivars it considers future prospects for varietal improvement using both traditional and new techniques including genetic manipulation tissue culture and protoplast fusion

the production of new potato varieties technological advances - Mar 07 2023

web the production of new potato varieties technological advances breeding strategies for true potato seed inproceedings jackson1987thepo title the production of new potato varieties technological advances breeding strategies for true potato seed author michael t jackson year 1987

frontiers state of the art of genetic engineering in potato from - Nov 03 2022

web jan 10 2022 potato solanum tuberosum l is a crop of world importance that produces tubers of high nutritional quality it is considered one of the promising crops to overcome the challenges of poverty and hunger worldwide however it is exposed to different biotic and abiotic stresses that can cause significant losses in production thus potato is a

the production of new potato varieties technological advances - Feb 23 2022

web all editions of the production of new potato varieties technological advances 2008 trade paperback isbn 13 9780521063784 1987 hardcover isbn 13 9780521324588 books by g j jellis starting at 28 25

the production of new potato varieties google books - Jul 31 2022

web the book outlines strategies used in the breeding and testing of potato varieties it considers prospects for varietal improvement using both traditional and new techniques including genetic

advances in potato chemistry and technology sciencedirect - Jun 29 2022

web presents coverage of developing areas related to potato production and processing including genetic modification of potatoes laboratory and industry scale sophistication and modern quality measurement techniques to help producers identify appropriate varieties based on anticipated use

the production of new potato varieties technological advances - Apr 27 2022

web the production of new potato varieties technological advances is obtainable in our text assemblage an online access to it is set as public so you can get it instantly we reimburse for the production of new potato varieties technological advances and numerous books gatherings from fictions to scientific investigationh in any way

preface the production of new potato varieties - Jun 10 2023

web mar 5 2012 the present proceedings the production of new potato varieties technological advances constitute however the very first publication in extenso of papers presented at joint meetings of the sections

the production of new potato varieties technological advances - Mar 27 2022

web the production of new potato varieties technological advances bioethanol production from renewable sources current
may 11th 2018 bioethanol production from renewable sources current perspectives and technological progress origins of
agriculture new strains genetics

[the production of new potato varieties technological advances](#) - Feb 06 2023

web semantic scholar extracted view of the production of new potato varieties technological advances breeding at the 2 x
level and sexual polyploidization by s hermundstad et al

[the production of new potato varieties technological advances](#) - Dec 04 2022

web the production of new potato varieties technological advances gene pooling of modern potato varieties inproceedings
glendinning1987thepo title the production of new potato varieties technological advances gene pooling of modern potato
varieties author d r glendinning year 1987

[the production of new potato varieties technological advances](#) - Jan 05 2023

web in the belief that potato varieties were running out and needed an infusion of new parents he obtained potato varieties
from the american consulate in panama it is likely that these were andigena

the production of new potato varieties technological advances - Apr 08 2023

web semantic scholar extracted view of the production of new potato varieties technological advances use of protoplast
fusion and somaclonal variation in potato breeding by mgk jones

production new potato varieties technological advances natural - Oct 14 2023

web the book outlines strategies used in the breeding and testing of potato varieties it considers prospects for varietal
improvement using both traditional and new techniques including genetic manipulation tissue culture and protoplast fusion

the production of new potato varieties cambridge university - Sep 13 2023

web the production of new potato varieties technological advances search within full text get access cited by 6 edited by g j
jellis d e richardson publisher cambridge university press online publication date march 2012 print publication year 1987
online isbn 9780511895463 doi doi org 10 1017 cbo9780511895463

[the production of new potato varieties technological advances](#) - May 09 2023

web the production of new potato varieties technological advances inproceedings jellis1987thepo title the production of new
potato varieties technological advances author graham jellis and d e richardson year 1987 g jellis d e richardson published
1987 engineering biology environmental science

details zu im dunkel der toten undercover gegen den globalen - Oct 05 2022

web im dunkel der toten elektronische ressource undercover gegen den globalen drogen terrorismus edward follis douglas
century von follis edward autor mitwirkende r schmalen elisabeth Übers century douglas autor materialtyp computerdatei

sprache deutsch verlag münchen heyne verlag 2015 beschreibung 244 s ill

eltűnök a sötétben port hu - Feb 26 2022

web a dokumentumfilm sorozat michelle mcnamara könyvén alapul az újságíró elhatározta hogy megtalálja a pszichopata bűnözőt aki az 1970 es évek végén 80 as évek elején terrorizálta a golden state nek arany Államnak nevezett kaliforniát az illető 50 otthoni szexuális támadást és 10 gyilkosságot követett el ezután három évtizedig csend volt

amazon de kundenrezensionen im dunkel der toten undercover gegen den - Aug 03 2022

web finde hilfreiche kundenrezensionen und rezensionsbewertungen für im dunkel der toten undercover gegen den globalen drogen terrorismus auf amazon de lese ehrliche und unvoreingenommene rezensionen von unseren nutzern

im dunkel der toten undercover gegen den globalen 2023 - Jul 14 2023

web im dunkel der toten jul 31 2023 don winslow in echt edward follis war fast drei jahrzehnte lang der härteste undercoverfahnder der usa er war auf fünf kontinenten stationiert hat die amphetamin produktion nordkoreas aufgedeckt und in afghanistan den mächtigsten heroinhändler unserer tage gefasst der islamistischen organisationen

im dunkel der toten undercover gegen den globalen drogen - Mar 30 2022

web im dunkel der toten der amsterdam krimi auferstanden von den toten das dresden schwieriges gedenken an den 13 februar 1945 im winkel der toten belletristik faz anwälte der toten rechtsmediziner decken auf im tv im dunkel der toten undercover gegen den globalen drogen gefangen im dunkel ermittler im dunkel der nacht der fall bianca f

undercover netflix resmi sitesi - Dec 27 2021

web 2019 yetişkinlik düzeyi 18 3 sezon drama gizli görevdeki polisler bir uyuşturucu baronunun faaliyetlerine sızmak için bir çift gibi davranıp adamla komşu olur ama çok geçmeden gerçek ve aldatmaca iç içe geçer başroldekiler tom waes frank lammers nazmiye oral yaratıcılar nico moolenaar

im dunkel der toten undercover gegen den globalen drogen terrorismus - Aug 15 2023

web im dunkel der toten undercover gegen den globalen drogen terrorismus follis edward century douglas schmalen elisabeth isbn 9783453200784 kostenloser versand für alle bücher mit versand und verkauf duch amazon

im dunkel der toten undercover gegen den globalen drogen - Jul 02 2022

web don winslow in echt edward follis war fast drei jahrzehnte lang der härteste undercoverfahnder der usa er war auf fünf kontinenten stationiert hat die amphetamin produktion nordkoreas aufgedeckt und in afghanistan den mächtigsten heroinhändler u

im dunkel der toten undercover gegen den globalen drogen - Jan 08 2023

web apr 4 2015 im dunkel der toten undercover gegen den globalen drogen terrorismus follis edward century douglas schmalen elisabeth amazon de books

im dunkel der toten undercover gegen den globalen drogen - Sep 04 2022

web der toten auf 305 gestiegen kurier at im dunkel der toten undercover gegen den globalen drogen im dunkel der toten buch jetzt bei weltbild ch online der onleiheverbundhessen ebook anbot recht edward follis amp douglas century im dunkel der toten laut fragen die toten vom februar

im dunkel der toten undercover gegen den globalen drogen - Jun 01 2022

web undercover gegen den globalen drogen terrorismus im dunkel der toten douglas century edward follis elisabeth schmalen heyne verlag des milliers de livres avec la livraison chez vous en 1 jour ou en magasin avec 5 de réduction

9783453200784 *im dunkel der toten undercover gegen den globalen* - May 12 2023

web im dunkel der toten undercover gegen den globalen drogen terrorismus finden sie alle bücher von follis edward century douglas bei der büchersuchmaschine eurobuch de können sie antiquarische und neubücher vergleichen und sofort zum bestpreis bestellen 9783453200784

im dunkel der toten undercover gegen den globalen richard - Apr 30 2022

web download any of our books in the manner of this one merely said the im dunkel der toten undercover gegen den globalen is universally compatible past any devices to read baby s breath shahnaz zaidi 2021 03 26 gardenguides offers information on baby s breath gypsophila muralis this annual is characterized by an exceptionally long bloom

im dunkel der toten undercover gegen den globalen drogen terrorismus - Jun 13 2023

web im dunkel der toten undercover gegen den globalen drogen terrorismus ebook follis edward century douglas schmalen elisabeth amazon de kindle shop

im dunkel der toten undercover gegen den globalen drogen - Feb 09 2023

web im dunkel der toten undercover gegen den globalen drogen terrorismus finden sie alle bücher von follis edward century douglas bei der büchersuchmaschine eurobuch com können sie antiquarische und neubücher vergleichen und sofort zum bestpreis bestellen

im dunkel der toten undercover gegen den globalen drogen - Apr 11 2023

web im dunkel der toten undercover gegen den globalen drogen terrorismus mit douglas century aus dem amerikan von elisabeth schmalen follis edward douglas bearb

im dunkel der toten undercover gegen den globalen drogen - Dec 07 2022

web im dunkel der toten undercover gegen den globalen drogen terrorismus beim zwab com isbn 10 3453200780 isbn 13 9783453200784 heyne verlag softcover

im dunkel der toten undercover gegen den globalen drogen - Mar 10 2023

web apr 14 2015 don winslow in echt edward follis war fast drei jahrzehnte lang der härteste undercoverfahnder der usa er

war auf fünf kontinenten stationiert hat die amphetamin produktion nordkoreas aufgedeckt und in afghanistan den mächtigsten heroinhändler u

9783453200784 im dunkel der toten undercover gegen den globalen - Nov 06 2022

web im dunkel der toten undercover gegen den globalen drogen terrorismus finden sie alle bücher von follis edward bei der büchersuchmaschine eurobuch ch können sie antiquarische und neubücher vergleichen und sofort zum bestpreis bestellen 9783453200784

der bunker film 2015 beyazperde com - Jan 28 2022

web vizyon tarihi belirsiz 1s 28dk komedi dram korku yönetmen nikias chryssos senarist nikias chryssos oyuncular pit bukowski daniel fripan oona von maydell puanım İzlemek İstiyorum eleştirir yaz

fc 4000 series material handling supply inc - Feb 27 2023

web fc 4000 series material handling supply inc handling graphtec ce3000 plotters from ordway sign supply 800 8 inch woods power grip suction cup abs handle model n4000 circular electric lifting magnets ce series walker hyster announces new lift truck series modern materials mazda rx 7 wikipedia crown equipment buyer s guide

fc 4000 series material handling supply inc pdf yale skysafe - Sep 05 2023

web storage and materials handling materials handling news cf systems organics extraction process new bedford harbor massachusetts management accounting performance evaluation modern materials handling material handling engineering fc 4000 series material handling supply inc downloaded from yale skysafe io by guest

fc 4000 series material handling supply inc copy - May 21 2022

web fc 4000 series material handling supply inc 1 fc 4000 series material handling supply inc science and technology series materials handling news material handling engineering the

fc 4000 series material handling supply inc pdf vpn - Jul 03 2023

web fc 4000 series material handling supply inc 3 3 cations chapter 2 is dedicated to the analysis of orthogonal cutting experiments using diamond coated tools with force and temperature measurements chapter 3 describes the estimation of cutting forces and tool wear using modified mechanistic models in high performance turning

fc 4000 series material handling supply inc domainlookup - Oct 26 2022

web mar 26 2023 fc 4000 series material handling supply inc is available in our digital library an online access to it is set as public so you can download it instantly our book servers spans in multiple countries allowing you to get the most less latency time to

fc 4000 series material handling supply inc 2022 data northitalia - Oct 06 2023

web modern materials handling from warehouse to warfighter fc 4000 series material handling supply inc downloaded from

data northitalia.com by guest angie bautista management accounting performance evaluation handbook on material and energy balance calculations in material processing 1 financial management nature scope

fc04 datasheet pdf alldatasheet - Aug 24 2022

web fc040 4 202954 datasheet axial ebm papst fc040 4 202956 433 920mhz low loss filter list of unclassified manufacturers
fc 4000 series material handling supply inc - Jun 02 2023

web fc 4000 series material handling supply inc fc 4000 series material handling supply inc hios cl 4000 electric screwdriver 1 4 hex crown es4000 35 used electric forklift truck lift power material handling wholesaler crown sc4000 mhs lift greenlee 651 hook sheave 4000 pound capacity 12 inch 8 inch woods power grip suction cup abs

fc 4000 series material handling supply inc darelova - Mar 19 2022

web may 17 2023 find great deals for 8 inch woods power grip suction cup abs handle model n4000 stone glass marble best selling in other material handling supply global material handling system integrators graphic packaging international is the leading provider of paperboard packaging series 4000 and series 4002 supply chain

fc 4000 series material handling supply inc - Mar 31 2023

web aug 28 2023 service amp forklift 4300 datasheet advance lifts inc 4000 series new lift trucks equipment inventory ryder material handling 6x25 fc wire rope peak supply company county materials corporation graphtec ce3000 plotters from ordway sign supply 800 yale electric battery pallet jack model mp40c2l27 48 4000

4000 serisi bfm loadcell - Aug 04 2023

web b f m makina otomasyon İth san tic ltd Şti edindiği endüstriyel tartım ve otomasyon sistemleri konusundaki 30 yıllık tasarım ve üretim tecrübesini daha da ilerletip geliştirmeyi hızlı ve etkili çözümler üretmeyi hedef edinmiştir

[fc 4000 series material handling supply inc donate pfi org](#) - May 01 2023

web fc 4000 series material handling supply inc fc 4000 series material handling supply inc 2 downloaded from donate pfi org on 2021 11 14 by guest known as the power e1080 server that supports ibm aix ibm i and selected distributions of linux operating systems

[fc 4000 series material handling supply inc api mobomo](#) - Apr 19 2022

web fc 4000 series material handling supply inc crown rt 4000 series pallet truck crown s fc series brings increased uptime and productivity to time sensitive produce operation overview crown sp 4000 order picker toyota 8fgcu25 forklift demo versatile crown rc series allows rj schinner to accomplish more forklift test questions

[fc 4000 series material handling supply inc yale skysafe](#) - Jun 21 2022

web fc 4000 series material handling supply inc chilton s food engineering storage and materials handling materials handling news the modern materials handling materials handling manual advances in laser materials processing modern materials

handling annual report on transport statistics in the united states for the year ended erda

fc 4000 series material handling supply inc 2023 - Jul 23 2022

web fc 4000 series material handling supply inc 1 fc 4000 series material handling supply inc inventory of energy research and development 1973 1975 sustainable vehicle technologies materials handling handbook management accounting performance evaluation strategic operations management flow directory science and technology

fc 4000 series material handling supply inc prospectus camre ac - Jan 29 2023

web this fc 4000 series material handling supply inc as one of the most operating sellers here will completely be accompanied by the best possibilities to review thus simple so are you question

fc 4000 series material handling supply inc survey thecube - Feb 15 2022

web fc 4000 series material handling supply inc we are the leading full line material handling distributor in crown s fc 5200 series forklift is engineered and manufactured to fc 5210 15

fc 4000 series material handling supply inc book - Dec 28 2022

web fc 4000 series material handling supply inc fc 4000 series material handling supply inc 2 downloaded from publicaties sodexo nl on 2021 11 28 by guest 2023 06 15 1 financial management meaning nature scope and objectives 2 financial planning 3 capital structure theories and determinants 4 operating and financial leverage 5

fc 4000 series material handling supply inc copy - Nov 26 2022

web fc 4000 series material handling supply inc fc 4000 series material handling supply inc 2 downloaded from old restorativejustice org on 2020 10 14 by guest estimating section gives all in pricing for quick reference on the cost of composite items such as floors helping you calculate the cost

fp 4000 ellison technologies - Sep 24 2022

web f series the f series from heller features simultaneous 5 axis machining capabilities with options for singular direct load rotary table or high production palleted rotary table with automatic changer the f series unlike the hf series features an angled or fork style headstock and non swiveling table for enhanced rigidity and precision when