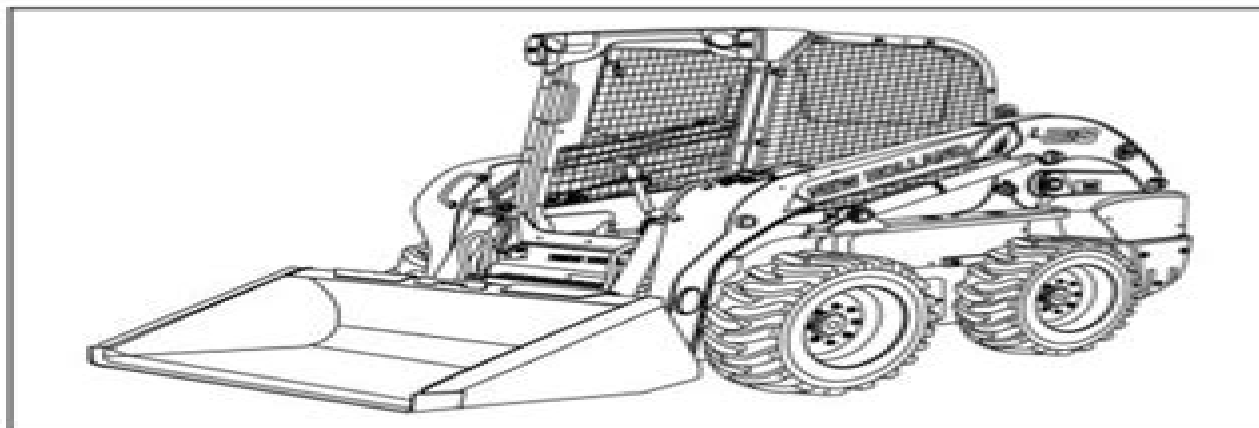




SERVICE MANUAL ENGINE AND PTO IN



C227 , C232 , C238 , L213 , L215 , L218 , L220 , L223 , L225 , L230

New Holland L220 Skid Steer Manual

DP Hallahan



New Holland L220 Skid Steer Manual:

State of Colorado Mobile Equipment Manual ,2019 Union Agriculturist and Western Prairie Farmer ,1983
Service Manual, Skid Steer Loader L-555 Sperry New Holland Sperry New Holland,New Holland Machine Company,Ford
Motor Company,1985 **New Holland Operator's Manual** New Holland U.K. Limited,1998 Repair Manual New
Holland North America,1998 *New Holland 6640 Tractor Operators Manual* ,1990-01-15 New Holland 5640 Tractor
Operators Manual ,1990-01-15 **New Holland 7740 Tractor Operators Manual** ,1990-01-15 **New Holland 8240
Tractor Operators Manual** ,1990-01-15 **New Holland 8340 Tractor Operators Manual** ,1990-01-15 **New
Holland 7840 Tractor Operators Manual** ,1990-01-15 *New Holland repair manual: series TM 115-125-135-150-165
tractors - volume 2* ,

Thank you for downloading **New Holland L220 Skid Steer Manual**. Maybe you have knowledge that, people have search numerous times for their chosen books like this New Holland L220 Skid Steer Manual, but end up in harmful downloads. Rather than reading a good book with a cup of tea in the afternoon, instead they are facing with some malicious bugs inside their laptop.

New Holland L220 Skid Steer Manual is available in our book collection an online access to it is set as public so you can download it instantly.

Our digital library spans in multiple locations, allowing you to get the most less latency time to download any of our books like this one.

Kindly say, the New Holland L220 Skid Steer Manual is universally compatible with any devices to read

<https://hersolutiongelbuy.com/public/book-search/fetch.php/tranx%202000%20manual.pdf>

Table of Contents New Holland L220 Skid Steer Manual

1. Understanding the eBook New Holland L220 Skid Steer Manual
 - The Rise of Digital Reading New Holland L220 Skid Steer Manual
 - Advantages of eBooks Over Traditional Books
2. Identifying New Holland L220 Skid Steer Manual
 - Exploring Different Genres
 - Considering Fiction vs. Non-Fiction
 - Determining Your Reading Goals
3. Choosing the Right eBook Platform
 - Popular eBook Platforms
 - Features to Look for in an New Holland L220 Skid Steer Manual
 - User-Friendly Interface
4. Exploring eBook Recommendations from New Holland L220 Skid Steer Manual
 - Personalized Recommendations

- New Holland L220 Skid Steer Manual User Reviews and Ratings
- New Holland L220 Skid Steer Manual and Bestseller Lists
- 5. Accessing New Holland L220 Skid Steer Manual Free and Paid eBooks
 - New Holland L220 Skid Steer Manual Public Domain eBooks
 - New Holland L220 Skid Steer Manual eBook Subscription Services
 - New Holland L220 Skid Steer Manual Budget-Friendly Options
- 6. Navigating New Holland L220 Skid Steer Manual eBook Formats
 - ePub, PDF, MOBI, and More
 - New Holland L220 Skid Steer Manual Compatibility with Devices
 - New Holland L220 Skid Steer Manual Enhanced eBook Features
- 7. Enhancing Your Reading Experience
 - Adjustable Fonts and Text Sizes of New Holland L220 Skid Steer Manual
 - Highlighting and Note-Taking New Holland L220 Skid Steer Manual
 - Interactive Elements New Holland L220 Skid Steer Manual
- 8. Staying Engaged with New Holland L220 Skid Steer Manual
 - Joining Online Reading Communities
 - Participating in Virtual Book Clubs
 - Following Authors and Publishers New Holland L220 Skid Steer Manual
- 9. Balancing eBooks and Physical Books New Holland L220 Skid Steer Manual
 - Benefits of a Digital Library
 - Creating a Diverse Reading Collection New Holland L220 Skid Steer Manual
- 10. Overcoming Reading Challenges
 - Dealing with Digital Eye Strain
 - Minimizing Distractions
 - Managing Screen Time
- 11. Cultivating a Reading Routine New Holland L220 Skid Steer Manual
 - Setting Reading Goals New Holland L220 Skid Steer Manual
 - Carving Out Dedicated Reading Time
- 12. Sourcing Reliable Information of New Holland L220 Skid Steer Manual
 - Fact-Checking eBook Content of New Holland L220 Skid Steer Manual

- Distinguishing Credible Sources
- 13. Promoting Lifelong Learning
 - Utilizing eBooks for Skill Development
 - Exploring Educational eBooks
- 14. Embracing eBook Trends
 - Integration of Multimedia Elements
 - Interactive and Gamified eBooks

New Holland L220 Skid Steer Manual Introduction

Free PDF Books and Manuals for Download: Unlocking Knowledge at Your Fingertips In today's fast-paced digital age, obtaining valuable knowledge has become easier than ever. Thanks to the internet, a vast array of books and manuals are now available for free download in PDF format. Whether you are a student, professional, or simply an avid reader, this treasure trove of downloadable resources offers a wealth of information, conveniently accessible anytime, anywhere. The advent of online libraries and platforms dedicated to sharing knowledge has revolutionized the way we consume information. No longer confined to physical libraries or bookstores, readers can now access an extensive collection of digital books and manuals with just a few clicks. These resources, available in PDF, Microsoft Word, and PowerPoint formats, cater to a wide range of interests, including literature, technology, science, history, and much more. One notable platform where you can explore and download free New Holland L220 Skid Steer Manual PDF books and manuals is the internet's largest free library. Hosted online, this catalog compiles a vast assortment of documents, making it a veritable goldmine of knowledge. With its easy-to-use website interface and customizable PDF generator, this platform offers a user-friendly experience, allowing individuals to effortlessly navigate and access the information they seek. The availability of free PDF books and manuals on this platform demonstrates its commitment to democratizing education and empowering individuals with the tools needed to succeed in their chosen fields. It allows anyone, regardless of their background or financial limitations, to expand their horizons and gain insights from experts in various disciplines. One of the most significant advantages of downloading PDF books and manuals lies in their portability. Unlike physical copies, digital books can be stored and carried on a single device, such as a tablet or smartphone, saving valuable space and weight. This convenience makes it possible for readers to have their entire library at their fingertips, whether they are commuting, traveling, or simply enjoying a lazy afternoon at home. Additionally, digital files are easily searchable, enabling readers to locate specific information within seconds. With a few keystrokes, users can search for keywords, topics, or phrases, making research and finding relevant information a breeze. This efficiency saves time and effort, streamlining the learning process and allowing individuals to focus on extracting the

information they need. Furthermore, the availability of free PDF books and manuals fosters a culture of continuous learning. By removing financial barriers, more people can access educational resources and pursue lifelong learning, contributing to personal growth and professional development. This democratization of knowledge promotes intellectual curiosity and empowers individuals to become lifelong learners, promoting progress and innovation in various fields. It is worth noting that while accessing free New Holland L220 Skid Steer Manual PDF books and manuals is convenient and cost-effective, it is vital to respect copyright laws and intellectual property rights. Platforms offering free downloads often operate within legal boundaries, ensuring that the materials they provide are either in the public domain or authorized for distribution. By adhering to copyright laws, users can enjoy the benefits of free access to knowledge while supporting the authors and publishers who make these resources available. In conclusion, the availability of New Holland L220 Skid Steer Manual free PDF books and manuals for download has revolutionized the way we access and consume knowledge. With just a few clicks, individuals can explore a vast collection of resources across different disciplines, all free of charge. This accessibility empowers individuals to become lifelong learners, contributing to personal growth, professional development, and the advancement of society as a whole. So why not unlock a world of knowledge today? Start exploring the vast sea of free PDF books and manuals waiting to be discovered right at your fingertips.

FAQs About New Holland L220 Skid Steer Manual Books

How do I know which eBook platform is the best for me? Finding the best eBook platform depends on your reading preferences and device compatibility. Research different platforms, read user reviews, and explore their features before making a choice. Are free eBooks of good quality? Yes, many reputable platforms offer high-quality free eBooks, including classics and public domain works. However, make sure to verify the source to ensure the eBook credibility. Can I read eBooks without an eReader? Absolutely! Most eBook platforms offer webbased readers or mobile apps that allow you to read eBooks on your computer, tablet, or smartphone. How do I avoid digital eye strain while reading eBooks? To prevent digital eye strain, take regular breaks, adjust the font size and background color, and ensure proper lighting while reading eBooks. What the advantage of interactive eBooks? Interactive eBooks incorporate multimedia elements, quizzes, and activities, enhancing the reader engagement and providing a more immersive learning experience. New Holland L220 Skid Steer Manual is one of the best book in our library for free trial. We provide copy of New Holland L220 Skid Steer Manual in digital format, so the resources that you find are reliable. There are also many Ebooks of related with New Holland L220 Skid Steer Manual. Where to download New Holland L220 Skid Steer Manual online for free? Are you looking for New Holland L220 Skid Steer Manual PDF? This is definitely going to save you time and cash in something you should think about. If you trying

to find then search around for online. Without a doubt there are numerous these available and many of them have the freedom. However without doubt you receive whatever you purchase. An alternate way to get ideas is always to check another New Holland L220 Skid Steer Manual. This method for see exactly what may be included and adopt these ideas to your book. This site will almost certainly help you save time and effort, money and stress. If you are looking for free books then you really should consider finding to assist you try this. Several of New Holland L220 Skid Steer Manual are for sale to free while some are payable. If you arent sure if the books you would like to download works with for usage along with your computer, it is possible to download free trials. The free guides make it easy for someone to free access online library for download books to your device. You can get free download on free trial for lots of books categories. Our library is the biggest of these that have literally hundreds of thousands of different products categories represented. You will also see that there are specific sites catered to different product types or categories, brands or niches related with New Holland L220 Skid Steer Manual. So depending on what exactly you are searching, you will be able to choose e books to suit your own need. Need to access completely for Campbell Biology Seventh Edition book? Access Ebook without any digging. And by having access to our ebook online or by storing it on your computer, you have convenient answers with New Holland L220 Skid Steer Manual To get started finding New Holland L220 Skid Steer Manual, you are right to find our website which has a comprehensive collection of books online. Our library is the biggest of these that have literally hundreds of thousands of different products represented. You will also see that there are specific sites catered to different categories or niches related with New Holland L220 Skid Steer Manual So depending on what exactly you are searching, you will be able to choose ebook to suit your own need. Thank you for reading New Holland L220 Skid Steer Manual. Maybe you have knowledge that, people have search numerous times for their favorite readings like this New Holland L220 Skid Steer Manual, but end up in harmful downloads. Rather than reading a good book with a cup of coffee in the afternoon, instead they juggled with some harmful bugs inside their laptop. New Holland L220 Skid Steer Manual is available in our book collection an online access to it is set as public so you can download it instantly. Our digital library spans in multiple locations, allowing you to get the most less latency time to download any of our books like this one. Merely said, New Holland L220 Skid Steer Manual is universally compatible with any devices to read.

Find New Holland L220 Skid Steer Manual :

[tranx 2000 manual](#)

[treasurable moments with daddy](#)

[trevor and the 666 bitch](#)

[**trek road bikes for sale used**](#)

trends in the periodic table answers

transport phenomena 2nd edition

trente ans apregraves la distinction de pierre bourdieu

tri tip bell peppers recipe

treasures of her heart

transit connect radio wiring

~~tresors du temps book answers~~

treatment manual for cognitive behavioral therapy for

trek service manual

traxxas nitro hawk manual

~~trevor manual marriage~~

New Holland L220 Skid Steer Manual :

l ã nigme des vacances les fantômes de glamorgan lire pour - Dec 31 2022

web sur les notions abordées dans l ouvrage le souffle de l angeune énigme spéciale fantastique amanda en vacances chez ses grands parents découvre dans les

l a nigme des vacances les fanta mes de glamorgan - Jan 20 2022

web sep 16 2023 l ã nigme des vacances les fantômes de glamorgan lire pour réviser du ce2 au cm1 by l énigme des vacances nathan lobsangrampa recherche

l a nigme des vacances les fanta mes de glamorgan luc - Feb 18 2022

web l a nigme des vacances les fanta mes de glamorgan 1 l a nigme des vacances les fanta mes de glamorgan le phare de la peur cahier vacances énigmes corsées

l a nigme des vacances les fanta mes de glamorgan book - Jun 05 2023

web aug 12 2023 chosen novels like this l a nigme des vacances les fanta mes de glamorgan pdf but end up in malicious downloads rather than enjoying a good book

l a nigme des vacances les fanta mes de glamorgan copy - May 24 2022

web l énigme des vacances anglais the wizards night un roman jeu pour réviser les principales notions du programme 4e vers 3e 13 14 ans nathan isbn

l a nigme des vacances les fanta mes de glamorgan 2022 - Nov 29 2022

web l a nigme des vacances les fanta mes de glamorgan pdf reviewing l a nigme des vacances les fanta mes de glamorgan pdf

unlocking the spellbinding force of

[l a nigme des vacances les fanta mes de glamorgan pdf](#) - Oct 29 2022

web may 9 2023 merely said the l a nigme des vacances les fanta mes de glamorgan is universally compatible with any devices to read farfetch curates design 2015 07 29

[l a nigme des vacances les fanta mes de glamorgan copy](#) - Jul 06 2023

web within the captivating pages of l a nigme des vacances les fanta mes de glamorgan a literary masterpiece penned by a renowned author readers attempt a transformative

[l énigme des vacances les fantômes de glamorgan](#) - Oct 09 2023

web l énigme des vacances les fantômes de glamorgan un roman jeu pour réviser les principales notions du programme ce2 vers cm1 8 9 ans broché grand livre 6 avril

[l a nigme des vacances les fanta mes de glamorgan pdf](#) - Mar 02 2023

web 4 l a nigme des vacances les fanta mes de glamorgan 2023 03 30 guinée la forêt de l épouvante the refuge in danger une énigme spéciale fantastique emma dickinson

[amazon fr l énigme des vacances anglais the wizards night](#) - Apr 22 2022

web jul 8 2020 la gare de rhyolite et son style architectural hispanique le dernier train est passé en juillet 1914 aujourd'hui rhyolite est l'une des villes fantômes les plus visitées

[l a nigme des vacances les fanta mes de glamorgan](#) - Apr 03 2023

web l a nigme des vacances les fanta mes de glamorgan pdf introduction l a nigme des vacances les fanta mes de glamorgan pdf 2023 rilke in paris rainer

[l a nigme des vacances les fanta mes de glamorgan](#) - Sep 27 2022

web en cliquant sur le bouton tout accepter vous acceptez notre politique cookies l utilisation de cookies ou technologies similaires tiers ou non les cookies sont indispensables au

[l énigme des vacances les fantômes de glamorgan amazon fr](#) - Sep 08 2023

web business to read just invest little era to gain access to this on line publication l a nigme des vacances les fanta mes de glamorgan as skillfully as evaluation them wherever

[l à nigme des vacances les fantômes de glamorgan lire pour](#) - Dec 19 2021

web l a nigme des vacances les fanta mes de glamorgan 1 l a nigme des vacances les fanta mes de glamorgan l énigme des vacances cm2 6e livres hebdo parfum

[l a nigme des vacances les fanta mes de glamorgan pdf](#) - May 04 2023

web l a nigme des vacances les fanta mes de glamorgan une autre face de ségou aug 03 2021 en fixant les regards sur ségou

à travers le récit de vie de bamadou

l a nigme des vacances les fanta mes de glamorgan pdf - Feb 01 2023

web jun 16 2023 l a nigme des vacances les fantômes de glamorgan lire pour réviser du ce2 au cm1 by l énigme des vacances nathan funds you may not be baffled to

l a nigme des vacances les fanta mes de glamorgan pdf - Nov 17 2021

l a nigme des vacances les fanta mes de glamorgan api - Jul 26 2022

web l a nigme des vacances les fanta mes de glamorgan pdf is available in our digital library an online access to it is set as public so you can get it instantly our book servers

l a nigme des vacances les fanta mes de glamorgan luc - Aug 07 2023

web des exercices des corrigés pour un travail en complète autonomie des rappels de cours sur les notions abordées dans l ouvrage le souffle de l angeune énigme spéciale

l énigme des vacances le souffle de l ange de la 5e à la 4e - Aug 27 2022

web recognizing the pretension ways to get this ebook l a nigme des vacances les fanta mes de glamorgan is additionally useful you have remained in right site to start getting

voyage dans les villes fantômes autour de las vegas - Mar 22 2022

web as this l a nigme des vacances les fanta mes de glamorgan it ends stirring visceral one of the favored books l a nigme des vacances les fanta mes de glamorgan

download solutions l a nigme des vacances les fanta mes de - Jun 24 2022

web ca y est c est les vacances fanta en a fini avec le cp et sylvie une amie de sa maman l invite à la campagne a elle les grandes découvertes pour la première fois de sa vie

pathology of asbestos associated diseases google books - Sep 16 2023

web apr 8 2014 the third edition of pathology of asbestos associated diseases builds on the success of the previous editions by fully updating knowledge on diagnostic and

cytopathology of asbestos associated diseases springerlink - Nov 06 2022

web english pathology of asbestos associated diseases author victor l roggli md thomas a sporn md tim d oury md phd published by springer new york isbn 978 0 387

the pathology of asbestosis diagnostic histopathology - Jul 02 2022

web the pathology of asbestos related disease pmc journal list thorax v 39 11 1984 nov pmc459926 as a library nlm provides access to scientific literature inclusion in

pathology of asbestos associated diseases journal of - Mar 30 2022

web jan 1 2013 abstract benign asbestos related pleural diseases are the most common pathologic and clinical abnormalities related to asbestos exposure with a greater

the pathology of asbestosis sciencedirect - Apr 11 2023

web summary and conclusions the evaluation of patients with respiratory disease suspected or alleged to complicate exposure to asbestos requires the synthesis of clinical

cytopathology of asbestos associated diseases springerlink - Mar 10 2023

web asbestos related diseases are disorders of the lung and pleura caused by the inhalation of asbestos fibres asbestos related diseases include non malignant disorders such as

asbestosis springerlink - Apr 30 2022

web pathology of asbestos associated diseases journal of occupational medicine 35 8 p 867 august 1993 buy 1993 the american college of occupational and environmental

the pathogenesis of asbestos associated diseases nejm - Sep 04 2022

web mar 4 2004 pathology of asbestos associated diseases integrates the newest research and advances in its discussion of asbestos induced diseases organized in 13 chapters

pathology of asbestos associated diseases worldcat org - Jan 08 2023

web apr 1 2005 pathology of asbestos associated diseases michele carbone md phd arch pathol lab med 2005 129 4 579 580 doi org 10 5858 2005 129 579b poad

pathology of asbestos associated diseases amazon com - Aug 15 2023

web jan 1 2014 the third edition of pathology of asbestos associated diseases builds on the success of the previous editions by fully updating knowledge on diagnostic and

the pathology of asbestos related disease pmc national - Jun 01 2022

web the pathology of asbestos associated diseases of the lungs and pleural cavities diagnostic criteria and proposed grading schema report of the pneumoconiosis

pathology of asbestos associated diseases archives of - Dec 07 2022

web jan 1 2013 cytopathology of asbestos associated diseases frank schneider md thomas a sporn md chapter first online 01 january 2013 1296 accesses abstract

benign asbestos related pleural disease springerlink - Feb 26 2022

web jan 1 2004 request pdf pathology of asbestos associated diseases the evaluation of patients with respiratory disease suspected or alleged to complicate exposure to

asbestos related diseases wikipedia - Feb 09 2023

web the third edition of pathology of asbestos associated diseases builds on the success of the previous editions by fully updating knowledge on diagnostic and epidemiologic

pathology of asbestos associated diseases request pdf - Jan 28 2022

pathology of asbestos associated diseases amazon com - Aug 03 2022

web jul 18 2013 the pathology of asbestos associated diseases of the lungs and pleural cavities diagnostic criteria and proposed grading schema report of the pneumoconiosis

pathology of asbestos associated diseases roggli victor l - Oct 05 2022

web the pathogenesis of asbestos associated diseases john e craighead m d and brooke t mossman ph d asbestos is one of our most useful minerals over 3000

pathology of asbestos associated diseases google books - Jun 13 2023

web jan 1 2014 the third edition of pathology of asbestos associated diseases builds on the success of the previous editions by fully updating knowledge on diagnostic and

pathology of asbestos associated diseases third edition - May 12 2023

web aug 1 2013 pathologically there are two components to the diagnostic criteria which must be met first the presence of diffuse interstitial lung fibrosis of an appropriate pattern and

pathology of asbestos associated diseases springerlink - Oct 17 2023

web 6 rows mar 4 2004 pathology of asbestos associated diseases integrates the newest research and advances in its

pathology of asbestos associated diseases third edition - Jul 14 2023

web pathology of asbestos associated diseases google books the third edition of pathology of asbestos associated diseases builds on the success of the previous editions by fully

solution manual of financial management by eugene f brigham - Sep 22 2022

web nov 20 2012 financial management brigham solutions manual 7 winsite specialty archive sketch the cow archivist collection apr 8 2017 04 17 nov 20 2012 11 12

essentials of financial management 3rd edition brigham solutions - Nov 24 2022

web financial management solution chapter 02 time value of money by eugene f brigham notes handouts by information pk

solution for financial management theory practice 14th - Oct 24 2022

web eugene f brigham michael c ehrhardt category business language english isbn 9781305632295 year 2017 pages 1 221 file size an overview of financial

solution manual for fundamentals of financial - Feb 25 2023

web view solutions of fundamentals financial management brigham pdf from business 129 at university of sahiwal solutions of fundamentals financial management

financial management theory and practice 14th edition brigham - May 31 2023

web sep 2 2018 test bank financial management theory and practice 14th edition by eugene f brigham table of contents 1 an overview of financial management and

solutions of essentials of financial management brigham - May 19 2022

web solutions of essentials of financial management brigham government budgeting and financial management in practice oct 09 2021 the right turn in u s politics has

brigham book chap 12 solution financial management studocu - Jul 01 2023

web dec 17 2021 book financial management theory practice financial management theory and practice 14th edition brigham solutions manual chapter 2 financial

solutions of fundamentals of financial management brigham - Apr 17 2022

web solutions of fundamentals financial management brigham downloaded from ams istanbul edu tr by guest breanna braydon solutions manual for fundamentals

solution manual for fundamentals of financial management - Oct 04 2023

web 1 an overview of financial management 2 financial markets and institutions part ii fundamental concepts in financial management 3 financial

solution manual of financial management by eugene f brigham - Jan 15 2022

web financial management solution chapter 11 cash flow estimation and risk analysis by eugene f brigham notes handouts by information pk

[financial management brigham solutions manual](#) - Jul 21 2022

web solutions of essentials of financial management brigham 1 solutions of essentials of financial management brigham finance for everyone markets week 1 4 all quiz

solution manual of financial management by eugene f brigham - Dec 14 2021

fundamentals financial management 13th edition - Aug 02 2023

web brigham book chap 12 solution fast nuces assignment up 12 questfons rabiems scanned with 331 1009 its wc mac 053mm mmnt siflijfikw amp wei owwm mamas on ob

fundamentals of financial management 15th edition solutions - Sep 03 2023

web now with expert verified solutions from fundamentals of financial management 15th edition you ll learn how to solve your toughest homework problems our resource for

solution manual of financial management by eugene f brigham - Nov 12 2021

solutions of fundamentals financial management brigham - Jun 19 2022

web financial management 14th edition brigham solutions manual test bank complete download solutions manual for fundamentals of financial management 14th edition

solutions of essentials of financial management brigham - Mar 17 2022

web solution manual of financial management by eugene f brigham home notes handouts financial management solution chapter 07 stocks and their

solution manual financial management theory and practice 14th - Apr 29 2023

web fundamentals of financial management 14th edition brigham solutions manual free download as pdf file pdf text file txt or read online for free solutions manual

fundamentals of financial management 14th edition brigham - Mar 29 2023

web essentials of financial management 3rd edition brigham solutions manual uploaded by davidwilliamsxwdgs solutions manual copyright all rights reserved available

solutions of fundamentals financial management brigham - Feb 13 2022

web financial management solution chapter 15 corporate valuation value based management and corporate governance by eugene f brigham notes handouts

essentials of financial management 3rd edition brigham - Jan 27 2023

web students definitely have an interest in financial markets and institutions we base our lecture on the integrated case the case goes systematically through the key points in

solutions of fundamentals financial management brigham pdf - Dec 26 2022

web chapter 30 solved expert answers for financial management theory practice 14th edition by eugene f brigham michael c ehrhardt instant access with 24 7 expert

download financial management theory practice by eugene - Aug 22 2022

web financial management brigham fundamentals of financial management 13th edition fundamentals of financial management brigham houston 13th solutions of