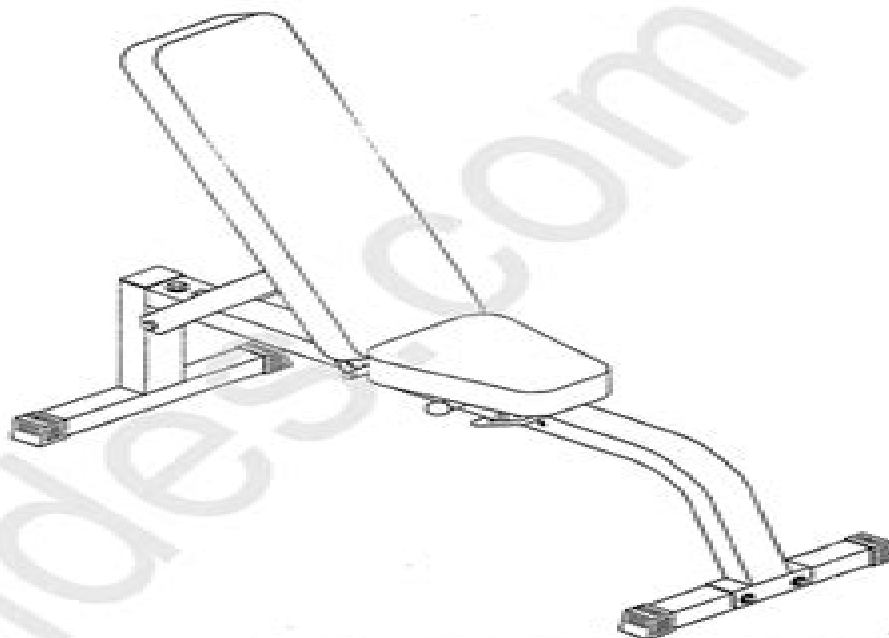


PARABODY

Serious Steel

805106 FLAT & INCLINE BENCH



ASSEMBLY INSTRUCTIONS

Parabody Serious Steel Manual

Alan Hayward



Parabody Serious Steel Manual:

Delve into the emotional tapestry woven by in Experience **Parabody Serious Steel Manual** . This ebook, available for download in a PDF format (PDF Size: *), is more than just words on a page; it's a journey of connection and profound emotion. Immerse yourself in narratives that tug at your heartstrings. Download now to experience the pulse of each page and let your emotions run wild.

https://hersolutiongelbuy.com/public/publication/fetch.php/polar_pacer_nv_manual.pdf

Table of Contents Parabody Serious Steel Manual

1. Understanding the eBook Parabody Serious Steel Manual
 - The Rise of Digital Reading Parabody Serious Steel Manual
 - Advantages of eBooks Over Traditional Books
2. Identifying Parabody Serious Steel Manual
 - Exploring Different Genres
 - Considering Fiction vs. Non-Fiction
 - Determining Your Reading Goals
3. Choosing the Right eBook Platform
 - Popular eBook Platforms
 - Features to Look for in an Parabody Serious Steel Manual
 - User-Friendly Interface
4. Exploring eBook Recommendations from Parabody Serious Steel Manual
 - Personalized Recommendations
 - Parabody Serious Steel Manual User Reviews and Ratings
 - Parabody Serious Steel Manual and Bestseller Lists
5. Accessing Parabody Serious Steel Manual Free and Paid eBooks
 - Parabody Serious Steel Manual Public Domain eBooks
 - Parabody Serious Steel Manual eBook Subscription Services
 - Parabody Serious Steel Manual Budget-Friendly Options

6. Navigating Parabody Serious Steel Manual eBook Formats
 - ePub, PDF, MOBI, and More
 - Parabody Serious Steel Manual Compatibility with Devices
 - Parabody Serious Steel Manual Enhanced eBook Features
7. Enhancing Your Reading Experience
 - Adjustable Fonts and Text Sizes of Parabody Serious Steel Manual
 - Highlighting and Note-Taking Parabody Serious Steel Manual
 - Interactive Elements Parabody Serious Steel Manual
8. Staying Engaged with Parabody Serious Steel Manual
 - Joining Online Reading Communities
 - Participating in Virtual Book Clubs
 - Following Authors and Publishers Parabody Serious Steel Manual
9. Balancing eBooks and Physical Books Parabody Serious Steel Manual
 - Benefits of a Digital Library
 - Creating a Diverse Reading Collection Parabody Serious Steel Manual
10. Overcoming Reading Challenges
 - Dealing with Digital Eye Strain
 - Minimizing Distractions
 - Managing Screen Time
11. Cultivating a Reading Routine Parabody Serious Steel Manual
 - Setting Reading Goals Parabody Serious Steel Manual
 - Carving Out Dedicated Reading Time
12. Sourcing Reliable Information of Parabody Serious Steel Manual
 - Fact-Checking eBook Content of Parabody Serious Steel Manual
 - Distinguishing Credible Sources
13. Promoting Lifelong Learning
 - Utilizing eBooks for Skill Development
 - Exploring Educational eBooks
14. Embracing eBook Trends
 - Integration of Multimedia Elements

- Interactive and Gamified eBooks

Parabody Serious Steel Manual Introduction

In today's digital age, the availability of Parabody Serious Steel Manual books and manuals for download has revolutionized the way we access information. Gone are the days of physically flipping through pages and carrying heavy textbooks or manuals. With just a few clicks, we can now access a wealth of knowledge from the comfort of our own homes or on the go. This article will explore the advantages of Parabody Serious Steel Manual books and manuals for download, along with some popular platforms that offer these resources. One of the significant advantages of Parabody Serious Steel Manual books and manuals for download is the cost-saving aspect. Traditional books and manuals can be costly, especially if you need to purchase several of them for educational or professional purposes. By accessing Parabody Serious Steel Manual versions, you eliminate the need to spend money on physical copies. This not only saves you money but also reduces the environmental impact associated with book production and transportation. Furthermore, Parabody Serious Steel Manual books and manuals for download are incredibly convenient. With just a computer or smartphone and an internet connection, you can access a vast library of resources on any subject imaginable. Whether you're a student looking for textbooks, a professional seeking industry-specific manuals, or someone interested in self-improvement, these digital resources provide an efficient and accessible means of acquiring knowledge. Moreover, PDF books and manuals offer a range of benefits compared to other digital formats. PDF files are designed to retain their formatting regardless of the device used to open them. This ensures that the content appears exactly as intended by the author, with no loss of formatting or missing graphics. Additionally, PDF files can be easily annotated, bookmarked, and searched for specific terms, making them highly practical for studying or referencing. When it comes to accessing Parabody Serious Steel Manual books and manuals, several platforms offer an extensive collection of resources. One such platform is Project Gutenberg, a nonprofit organization that provides over 60,000 free eBooks. These books are primarily in the public domain, meaning they can be freely distributed and downloaded. Project Gutenberg offers a wide range of classic literature, making it an excellent resource for literature enthusiasts. Another popular platform for Parabody Serious Steel Manual books and manuals is Open Library. Open Library is an initiative of the Internet Archive, a non-profit organization dedicated to digitizing cultural artifacts and making them accessible to the public. Open Library hosts millions of books, including both public domain works and contemporary titles. It also allows users to borrow digital copies of certain books for a limited period, similar to a library lending system. Additionally, many universities and educational institutions have their own digital libraries that provide free access to PDF books and manuals. These libraries often offer academic texts, research papers, and technical manuals, making them invaluable resources for students and researchers. Some notable examples include MIT OpenCourseWare, which offers free access to course materials from

the Massachusetts Institute of Technology, and the Digital Public Library of America, which provides a vast collection of digitized books and historical documents. In conclusion, Parabody Serious Steel Manual books and manuals for download have transformed the way we access information. They provide a cost-effective and convenient means of acquiring knowledge, offering the ability to access a vast library of resources at our fingertips. With platforms like Project Gutenberg, Open Library, and various digital libraries offered by educational institutions, we have access to an ever-expanding collection of books and manuals. Whether for educational, professional, or personal purposes, these digital resources serve as valuable tools for continuous learning and self-improvement. So why not take advantage of the vast world of Parabody Serious Steel Manual books and manuals for download and embark on your journey of knowledge?

FAQs About Parabody Serious Steel Manual Books

How do I know which eBook platform is the best for me? Finding the best eBook platform depends on your reading preferences and device compatibility. Research different platforms, read user reviews, and explore their features before making a choice. Are free eBooks of good quality? Yes, many reputable platforms offer high-quality free eBooks, including classics and public domain works. However, make sure to verify the source to ensure the eBook credibility. Can I read eBooks without an eReader? Absolutely! Most eBook platforms offer webbased readers or mobile apps that allow you to read eBooks on your computer, tablet, or smartphone. How do I avoid digital eye strain while reading eBooks? To prevent digital eye strain, take regular breaks, adjust the font size and background color, and ensure proper lighting while reading eBooks. What the advantage of interactive eBooks? Interactive eBooks incorporate multimedia elements, quizzes, and activities, enhancing the reader engagement and providing a more immersive learning experience. Parabody Serious Steel Manual is one of the best book in our library for free trial. We provide copy of Parabody Serious Steel Manual in digital format, so the resources that you find are reliable. There are also many Ebooks of related with Parabody Serious Steel Manual. Where to download Parabody Serious Steel Manual online for free? Are you looking for Parabody Serious Steel Manual PDF? This is definitely going to save you time and cash in something you should think about. If you trying to find then search around for online. Without a doubt there are numerous these available and many of them have the freedom. However without doubt you receive whatever you purchase. An alternate way to get ideas is always to check another Parabody Serious Steel Manual. This method for see exactly what may be included and adopt these ideas to your book. This site will almost certainly help you save time and effort, money and stress. If you are looking for free books then you really should consider finding to assist you try this. Several of Parabody Serious Steel Manual are for sale to free while some are payable. If you arent sure if the books you would like to download works with for usage along with your computer, it is possible to download free trials. The free

guides make it easy for someone to free access online library for download books to your device. You can get free download on free trial for lots of books categories. Our library is the biggest of these that have literally hundreds of thousands of different products categories represented. You will also see that there are specific sites catered to different product types or categories, brands or niches related with Parabody Serious Steel Manual. So depending on what exactly you are searching, you will be able to choose e books to suit your own need. Need to access completely for Campbell Biology Seventh Edition book? Access Ebook without any digging. And by having access to our ebook online or by storing it on your computer, you have convenient answers with Parabody Serious Steel Manual To get started finding Parabody Serious Steel Manual, you are right to find our website which has a comprehensive collection of books online. Our library is the biggest of these that have literally hundreds of thousands of different products represented. You will also see that there are specific sites catered to different categories or niches related with Parabody Serious Steel Manual So depending on what exactly you are searching, you will be able to choose ebook to suit your own need. Thank you for reading Parabody Serious Steel Manual. Maybe you have knowledge that, people have search numerous times for their favorite readings like this Parabody Serious Steel Manual, but end up in harmful downloads. Rather than reading a good book with a cup of coffee in the afternoon, instead they juggled with some harmful bugs inside their laptop. Parabody Serious Steel Manual is available in our book collection an online access to it is set as public so you can download it instantly. Our digital library spans in multiple locations, allowing you to get the most less latency time to download any of our books like this one. Merely said, Parabody Serious Steel Manual is universally compatible with any devices to read.

Find Parabody Serious Steel Manual :

polar pacer nv manual

[polaris 500 engine diagram](#)

polaris 360 instruction manual

pogil activities for ap biology photosynthesis

polaris atv sportsman x2 800 efi 2007 service repair manual

polaris 700 800 sks snowmobile service manual

poetic devices pretest answer key

[polaris 2015 900xp service manual](#)

polaris atv flat rate manual

[polaris 425 magnum 1998 manual](#)

poems to act out

poems using sensory words

poetry rubric grade 4

polaris atv 250 4x4 1992 service repair workshop manual

polaris atv 400 6x6 1997 repair service manual

Parabody Serious Steel Manual :

in his own write john lennon - Apr 12 2023

web john lennon about the awful i was bored on the 9th octover 1940 when i believe the nasties were still booming us led by madalf heatlump who only had one anyway they didn t get me i attended to varicous schools in liddypol and still didn t pass much to my aunties supplies

in his own write kindle edition by lennon john ono yoko - Aug 04 2022

web oct 5 2010 in his own write features the same sort of surreal turns of phrase that insinuated themselves into late period beatles classics such as come together and strawberry fields forever san francisco chronicle worth the attention of anyone who fears for the impoverishment of the english language and the british imagination

in his own write wikipedia - Aug 16 2023

web in his own write is a 1964 nonsense book by english musician john lennon his first book it consists of poems and short stories ranging from eight lines to three pages as well as illustrations

in his own write by john lennon goodreads when john - Oct 06 2022

web aug 7 2023 read 257 reviews from the world s largest community for readers about the terrible i was bored on the 9th starting octover 1940 when myself believe the nasties were

in his own write lennon john 1940 1980 archive org - Jul 03 2022

web in his own write by lennon john 1940 1980 publication date 1964 topics musicians as authors publisher cutchogue n y buccaneer books be the first one to write a review 629 previews 22 favorites download options no suitable files to display here 14 day loan required to access epub and pdf files

john lennon s semi sensical poetry and prose illustrated with his - Jan 29 2022

web jan 27 2014 in his own write a spaniard in the works public library released to commemorate lennon s 70th birthday with introductions by paul mccartney and yoko ono collects his offbeat poetry and prose along with his charming drawings lennon s whimsical semi sensical writings fall somewhere between lewis carroll and gertrude stein he has

in his own write amazon com - Jul 15 2023

web oct 10 2000 about the author best known as singer songwriter for the legendary beatles john lennon was born in

liverpool england in 1969 lennon married yoko ono and the two formed the plastic ono band lennon was killed by a deranged fan outside his apartment building in new york on december 8 1980

john lennon in his own write academia edu - Mar 31 2022

web this dictionary has been compiled from extensive evidence of the quotations that are actually used in this way the dictionary includes the commonest quotations which were found in a collection of more than 200 000 citations assembled by combing books magazines and newspapers

in his own write john lennon surrealist writer - Feb 27 2022

web mar 23 2023 in his own write was described in its advertising as a collection of stories anecdotes and poems illustrated with 24 full page drawings and 12 text decorations by the author the author in

in his own write wikiwand - Jan 09 2023

web in his own write is a 1964 nonsense book by english musician john lennon his first book it consists of poems and short stories ranging from eight lines to three pages as well as illustrations

john lennon in his own write first edition abebooks - May 01 2022

web john lennon in seiner eigenen schreibe mit einer einleitung von paul mccartney gedeutscht von helmut kossodo und wolf d rogosky originaltitel in his own write 1964 rororo 4832 by lennon john and a great selection of related books art and collectibles available now at abebooks com

in his own write john lennon google books - Dec 08 2022

web in his own write is a nonsensical book by john lennon first published on 23 march 1964 it consists of short stories and poems and line drawings often surreal in nature the book was the first solo project by one of the members of the beatles in any creative medium

in his own write uludağ sözlük - May 13 2023

web in his own write john lennon in 1964 te yazdığı kitap içinde kısa hikayeler şiirler ve kendince yapığı çizimler vardır lennon fanları bu kitap konusunda ikiye ayrılır kimileri lennon in müzik dışında bu tip işlere girmeme

in his own write hardcover special edition oct 10 2000 - Nov 07 2022

web i had this book when it first came out being an avowed beatle maniac his creativity inspired me to pursue writing as a career john has his own language which will endure the world lost his creative genius but his words and drawings live on a must buy for lennon philes everywhere

john lennon in his own write youtube - Dec 28 2021

web nov 30 2016 a brief promotion of the book in a live bbc tv programme tonight 1964

in his own write hardcover 8 dec 2014 amazon co uk - Feb 10 2023

web in his own write is john lennon s literary debut a book of stories drawings and poems that was first published in 1964 to great critical acclaim and became a phenomenon selling over 600 000 copies in the uk alone and revealing a hitherto unseen side to lennon s artistic output and talent

john lennon in his own write lyrics and tracklist genius - Jun 14 2023

web in his own write is a 1964 nonsense book by english musician john lennon his first book it consists of poems and short stories ranging from eight lines to three pages as well as

in his own write john lennon 9781782115403 bol com - Jun 02 2022

web dec 8 2014 in his own write is john lennon s literary debut a book of stories drawings and poems that was first published in 1964 to great critical acclaim and became a phenomenon selling over 600 000 copies in the uk alone and revealing a hitherto unseen side to lennon s artistic output and talent

editions of in his own write by john lennon goodreads - Mar 11 2023

web editions for in his own write 0684868075 hardcover published in 1964 0451156978 mass market paperback published in 1967 1568491476 hardcover publ

in his own write signet lennon john amazon com tr kitap - Sep 05 2022

web in his own write signet lennon john amazon com tr kitap Çerez tercihlerinizi seçin Çerez bildirimimizde ayrıntılı şekilde açıklandığı üzere alışveriş yapmanızı sağlamak alışveriş deneyiminizi iyileştirmek ve hizmetlerimizi sunmak için gerekli olan çerezleri ve benzer araçları kullanırız

drawing dictation teachingenglish british council - Oct 17 2023

web in this lesson students will learn how to use prepositions of place correctly when they are describing a picture firstly the students give the teacher a drawing dictation as a whole class then they work in small groups to give drawing dictations to each other

picture dictation esl activity eslactive - Jan 08 2023

web activity project an image on the board remind the students not to turn around first or show the student at the front a picture the student who can see the picture describes the picture in detail to their partner the class using the target language no

drawing and crafts activities for prepositions of position - Dec 07 2022

web the drawing version is usually known as a picture dictation but for this language point the same thing can be done with cut out or 3d shapes bent pipe cleaners fuzzy felt playdoh lego etc self created picture differences you can also give students a scene and tell them

teacher s notes picture dictation teach this com - Feb 09 2023

web this picture dictation can be used to help students practice describing and prepositions of place procedure divide the students into pairs have each pair sit back to back give one student a picture and the other student a piece of paper the student with the picture then describes it to their partner

[esl dictations teach this com](#) - May 12 2023

web this picture dictation can be used to help students practice describing and prepositions of place in pairs one student describes a picture to their partner who listens and draws the picture according to their partner s instructions

picture dictation teachingenglish british council - Jul 14 2023

web get students to colour the pictures in afterwards as a colour dictation for example colour the roof of the house green colour the door of the house red or get students to label different objects by writing the name of the object underneath it such as house bird etc

part 4 drawing dictation bell beyond - Apr 11 2023

web for example in the picture there is a house with two windows and there is a car with follow up drawing dictation activities below you will explore activities that are wonderful to conclude a drawing dictation activity describe the picture after the drawing dictation activity

te lp march 2015 kb 1 teachingenglish - Jun 13 2023

web topic drawing dictations aims to learn how to use prepositions of place correctly when describing a picture to practise giving instructions to work in a group sharing information to complete a drawing task age group teenagers and young adults level a2 b1 b2 time 50 60 minutes materials paper and pencils introduction

[picture dictation worksheets esl printables](#) - Nov 06 2022

web age 10 14 downloads 14 a picture dictation level elementary age 10 14 downloads 203 picture dictation of a room level elementary age 10 17 downloads 131 picture dictation level elementary age 4 10 downloads 79 picture dictation let your kids draw level elementary age 7 17 downloads 45 picture dictation

using picture dictation exercises for practising all four skills - Aug 03 2022

web this exercise focuses on choosing or preparing a text in clear visual terms so that it can be used for picture dictation which involves learners in all four skills of listening with attention fun and interest speaking with confidence reading

picture dictation nz maths - Feb 26 2022

web in particular they identified conditionals negation prepositions and word order as specific areas of difficulty this strategy gives an example of how to teach the language of position and shape in an interactive task that requires both listening and speaking procedure

[picture dictation place prepositions worksheet](#) - Mar 10 2023

web picture dictation place prepositions this is a picture dictation of a living room the teacher has the text to dictate and the students must draw what is being described by the teacher i have also included a picture of an empty living room

[picture dictation teacher copy jungle night worksheet](#) - Sep 04 2022

web a simple picture dictation thematised by nature and wildlife to exercise prepositions articles and nouns such as top middle bottom left right etc welcome to esl printables the website where english language teachers exchange

[picture dictation game esl kids games](#) - Apr 30 2022

web give students model language and do an example in my picture the tree is next to the house on the left the other student reply yes that is the same as my picture or sorry my picture is different in my picture 5 students take turns describing the differences in each of their pictures until they have completed the picture

16 picture dictation english esl worksheets pdf doc isl - Mar 30 2022

web picture dictation a classroom activity 706 uses mulle running picture dict this worksheet is fo 1075 uses mcalvo37

monster picture dict the teacher describe 579 uses tvmaci87 picture running dict these are 3 pictures 3756 uses silvialefevre

picture dictionary this worksheet is yo 2111 uses sigugi my bedroom lesson pl

picture dictations the hands up project - Jun 01 2022

web jan 16 2016 for instance with the story of the jackal and the crow i have used the picture below learners can also do picture dictations in pairs or groups with one learner looking at a picture and the other s drawing in fact this is a good way of following up a teacher led picture dictation with different pictures of course

preposition dictation pictur english esl worksheets pdf doc - Sep 16 2023

web preposition dictation vbombe 5566 83 58 0 1 1 let s do english esl picture description you can dictate the text and the pupils draw the picture a fun activity be careful to remind the pupils that thier d

[pre a1 starters speaking describe a picture cambridge english](#) - Aug 15 2023

web description this lesson plan has been designed to help students prepare for pre a1 starters speaking parts 1 2 this lesson plan can be delivered face to face or online the online options column gives teachers ideas how the stages could be adapted for teaching online

picture dictation verbs and prepositions of place - Oct 05 2022

web subject art cross curricular links english language time 10 15 minutes materials paper crayons each student gets his her paper and crayons ready tell them what and where to draw children follow your instructions when they are done they can compare their picture with yours ours is bigger to see if they were right

learning prepositions of location picture dictation theory - Jul 02 2022

web preposition prepositions are words which show the relationship between a noun or a pronoun object and some other

words in the sentence they are always followed by nouns or pronouns prepositions are classified into three groups as below
always remember 1 prepositions are always followed by a noun never followed by a verb

halali die jagdhornschnule 1 von gerhard sowa - Jul 02 2023

web heros verlag halali 1 die jagdhornschnule schnule für parforce und fürst pless horn von gerhard sowa heros 1000 31 isbn
9783940297006 ismn 9790500490005 23 x

buch halali die jagdhornschnule band 1 mit cd djv shop - Mar 30 2023

web halali die jagdhornschnule 2015 band 1 vom ersten ton bis zum bläserhutabzeichen mit cd textdichter gerhard sowa art
der ausgabe lehrmaterial musiktheorie cd

gerd sowa halali die jagdhornschnule mit cd band 1 - Apr 30 2023

web buch halali die jagdhornschnule band 1 mit cd 19 95 inkl mwst zzgl versandkosten verfügbar lieferzeit 1 3 werktage in
den warenkorb artikel nr

halali die jagdhornschnule band 1 mit cd vom erste pdf - Jul 22 2022

web halali die jagdhornschnule band 1 mit cd vom ersten ton bis halali die jagdhornschnule band 1 mit cd vom ersten ton bis
zum bläserhutabzeichen sowa weinberger

halalidiejagdhornschnuleband1mitcdvomerste copy - Jun 20 2022

web halali die jagdhornschnule band 1 mit cd vom erste 3 3 author and recording artist walt weiskopf has raised the bar again
with beyond the horn a new book co authored by

download solutions halali die jagdhornschnule band 1 mit cd - Nov 25 2022

web one merely said the halali die jagdhornschnule band 1 mit cd vom erste is universally compatible later than any devices to
read complete celebrated method for clarinet karl

halali die jagdhornschnule band 1 mit cd vom erste felix - Oct 25 2022

web halali die jagdhornschnule band 1 mit cd vom erste omb no edited by ford watson tigrero alfred music a clever librarian is
forced to marry a king she cannot

halali die jagdhornschnule band 1 mit cd vom erste download - May 20 2022

web halali die jagdhornschnule band 1 mit cd vom erste downloaded from cdn writermag com by guest eugene alicia legend
has it hal leonard publishing

halali die jagdhornschnule band 1 mit cd vom erste 2023 - Sep 23 2022

web 1 halali die jagdhornschnule band 1 mit cd vom erste green line oberstufe einführungsphase schülerbuch mit cd rom
ausgabe für schleswig holstein

halali die jagdhornschnule band 1 mit cd vom ersten ton bis - Aug 03 2023

web halali die jagdhornschule band 1 mit cd vom ersten ton bis zum bläserhutabzeichen sowa gerhard amazon nl boeken
halali die jagdhornschule band 1 mit cd vom ersten ton bis - Sep 04 2023

web sowa gerhard halali die jagdhornschule band 1 mit cd vom ersten ton bis zum bläserhutabzeichen jetzt kaufen
kundrezensionen und sterne

halali die jagdhornschule band 1 mit cd taschenbuch - Dec 27 2022

web 1 halali die jagdhornschule band 1 mit cd vom erste music and the making of modern science oct 22 2020 a wide
ranging exploration of how music has influenced science

halali die jagdhornschule band 1 mit cd vom erste download - Apr 18 2022

web halali die jagdhornschule band 1 mit cd vom erste downloaded from stage gapinc com by guest maximillian levy ultimate
movie instrumental solos kensington books

halali die jagdhornschule band 1 mit cd vom erste 2022 - Feb 14 2022

web einleitung in die mechanik zum selbstunterricht mit rücksicht auf die zwecke des practischen lebens thle 1 6 dec 02
2022 erkundung und beschreibung der welt

halali die jagdhornschule band 1 mit cd vom erste uniport edu - Nov 13 2021

halali die jagdhornschule band 1 mit cd vom erste 2022 - Mar 18 2022

web landmark release of their 1 hits spanning 30 years songs include all you need is love the ballad of john and yoko can t
buy me love come together day tripper

downloadable free pdfs halali die jagdhornschule band 1 mit - Aug 23 2022

web jul 26 2023 halali die jagdhornschule band 1 mit cd vom erste 2 6 downloaded from uniport edu ng on july 26 2023 by
guest winter birds lars jonsson 2017 10 19 in this

halali die jagdhornschule vom ersten ton bis zum grube - Jan 28 2023

web halali die jagdhornschule band 1 mit cd finden sie alle bücher von gerhard sowa bei der büchersuchmaschine eurobuch
com können sie antiquarische und neubücher

halali die jagdhornschule band 1 mit cd lehmanns de - Dec 15 2021

web jul 22 2023 halali die jagdhornschule band 1 mit cd vom erste 1 6 downloaded from uniport edu ng on july 22 2023 by
guest halali die jagdhornschule band 1 mit cd

halali die jagdhornschule band 1 mit cd vom ersten ton bis - Oct 05 2023

web nicht nur für jäger vom ersten naturton bis zum bläserhutabzeichen alle wichtigen signale für gesellschaftsjagden und
für konzertante darbietung in der bläsergruppe lernen

weinberger musikverlag halali jagdhornschnule 1 thomann - Jun 01 2023

web gerd sowa halali die jagdhornschnule mit cd band 1 ein traditionsinstrument entdecken das jagdhornblasen ist kein buch mit sieben siegeln wer es beherrscht ist

halali die jagdhornschnule band 1 mit cd vom erste pdf - Jan 16 2022

web halali die jagdhornschnule band 1 mit cd von gerhard sowa isbn 978 3 940297 00 6 bestellen schnelle lieferung auch auf rechnung lehmanns de

halali die jagdhornschnule 2015 - Feb 26 2023

web artikel nr 79 588 halali die jagdhornschnule vom ersten ton bis zum bläserhutabzeichen mit cd von gerhard sowa heft und cd erleichtern den einstieg