

MODELS TWG018A140A, TWG025A140A,
 TWG030A140A, TWG036A140A,
 TWG037A140A, TWG042A140A,
 TWG048A140A, TWG060A150A

AIR FLOW SELECTION	
TERM	SPEED
A	LOW
B	MED
C	HIGH

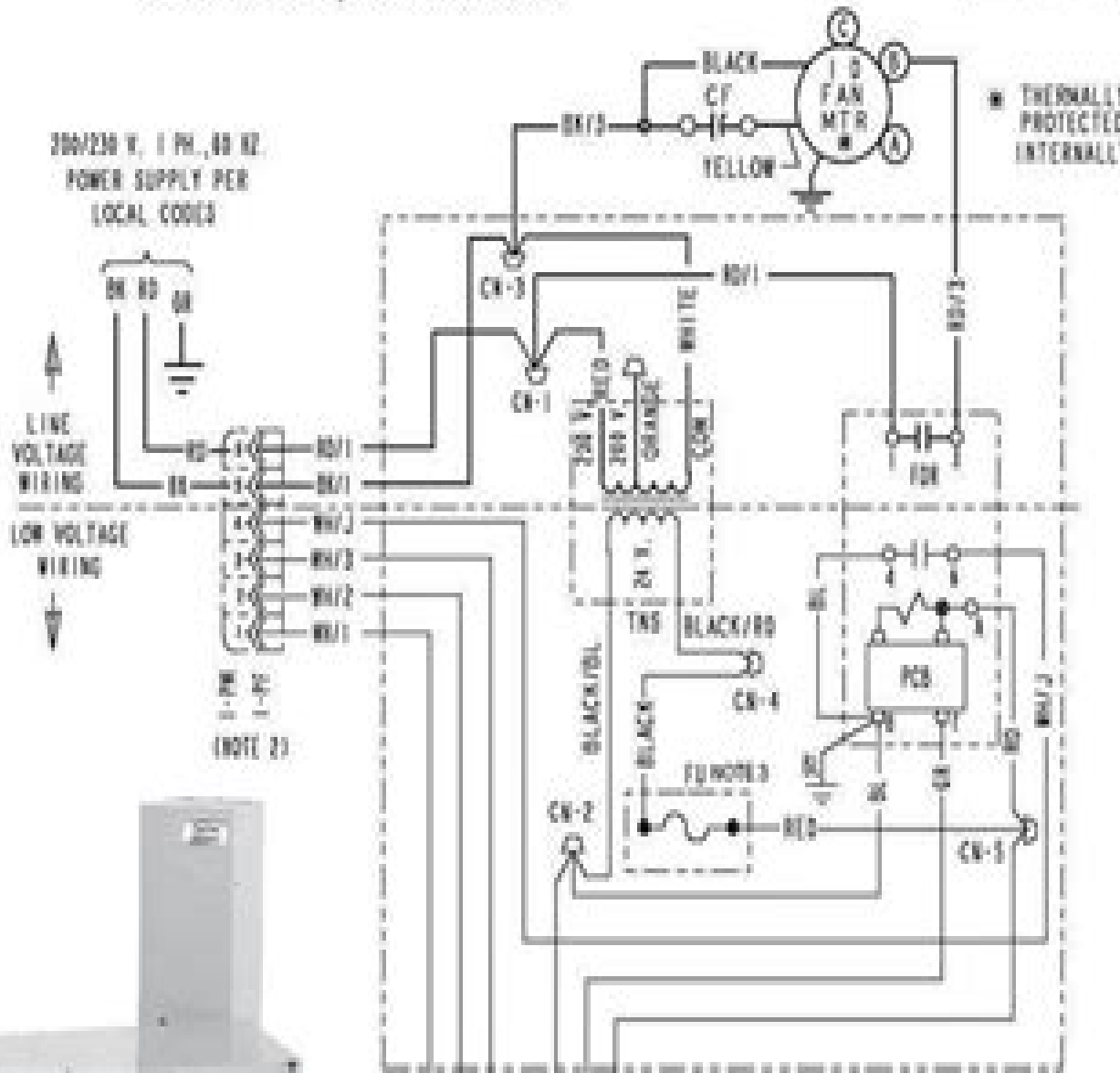
LEGEND

- 24 V.
- LINE V.
- GROUND
- JUNCTION
- CAPACITOR
- WIRE CONNECTOR
- TERMINAL
- TRANSFORMER
- FUSE
- RELAY CONTACT NO.
- MAGNETIC COIL
- POL. PLUG FEMALE (WIRE TERMINALS)
- POL. PLUG MALE (FEMALE TERMINALS)

- CN WIRE CONNECTOR
- CF FAN CAPACITOR
- FDR FAN DELAY RELAY
- TS FUSE
- PCB PRINTED CIRCUIT BOARD
- FT POLARIZED PLUG (FEMALE HOUSING)
- FW POLARIZED PLUG (MALE HOUSING)
- TR TRANSFORMER

BLACK/PBL. COLOR OF WIRE
 BLACK WIRE WITH BLUE MARKER

COLOR OF MARKER
 BK BLACK BR BROWN CR GREEN
 BL BLUE BW WHITE GR GREY



Suzuki Margalla Wiring Diagram

G Orfield



Suzuki Margalla Wiring Diagram:

Suzuki SN413 Jimney Wiring Diagram Manual Suzuki Jidōsha Kōgyō Kabushiki Kaisha,1998 [Suzuki Carry Da63t Electrical Service Manual & Diagrams](#) James Danko,2011 [Suzuki Every Van Electrical Service Manual Db52v Da52v](#) James Danko,2017-04-11 SUZUKI EVERY VAN Electrical Service Manual for 4WD DB52V 2WD DA52V Series Vans Complete English Factory Electrical Service Manual Covers the entire vehicle including EFI Turbocharged Engines Chassis lighting and all other individual components This complete manual also covers Air conditioning electrical power steering ABS and AIRBAG systems Easy to follow diagrams includes all individual circuits with easy to follow diagrams Whether you are a Pro or Home Mechanic this easy to follow manual is a must for troubleshooting electrical problems *Suzuki C550 & 80 Roadie Owners Workshop Manual* Jeremy Churchill,1984 [Suzuki Carry Truck Electrical Service Manual Db52t Da52t](#) James Danko,2017-05-03 SUZUKI CARRY TRUCK Electrical Service Manual for 4WD DB52T 2WD DA52T Series Trucks Complete English Factory Electrical Service Manual Covers the entire vehicle including EPI Fuel Injection models Turbocharged models and early model Carbureted versions This complete manual also covers all options including Air conditioning Electrical Power Steering DUMP and AIRBAG systems Easy to follow diagrams includes all individual circuits with easy to follow diagrams Whether you are a Pro or Home Mechanic this easy to follow manual is a must for troubleshooting electrical problems **Wiring Diagram Manual for Japanese Cars** ,1985 *1978 Suzuki Wiring Diagrams* United States Suzuki Motor Corporation,1977 **Suzuki Volusia & Boulevard C50 from 2001-2017 Clymer Repair Manual** Clymer Publications,2018-05-01 Complete coverage for your Suzuki Volusia Boulevard C50 manufactured from 2001 2017 Routine maintenance and servicing Tune up procedures Engine clutch and transmission repair Cooling system Fuel and exhaust Ignition and electrical systems Brakes wheels and tires Steering suspension and final drive Frame and bodywork Wiring diagrams Reference Section With a Clymer manual you can do it yourself from simple maintenance to basic repairs Clymer writes every book based on a complete teardown of the motorcycle We learn the best ways to do a job and that makes it quicker easier and cheaper for you Our books have clear instructions and hundreds of photographs that show each step Whether you re a beginner or a pro you can save big with Clymer Step by step procedures Easy to follow photos Complete troubleshooting section Valuable short cuts Model history and pre ride checks in color Color spark plug diagnosis and wiring diagrams Tools and workshop tips section in color The specific models covered by this manual are Suzuki Volusia 2001 2004 Suzuki Boulevard C50 2005 2017 **Suzuki Motorcycle and ATV Wiring Diagram Manual 2004 "K4" Models** American Suzuki Motor Corporation,2004 **Automobile Electrical Systems** David Penn Moreton and Darwin S. Hatch,1921 *Boyce's Wiring Diagram Manual: Selected models from the following manufactures, Chrysler, Daewoo, Ford, Holden, Honda, Hyundai, Jeep, Mitsubishi, Subaru, Suzuki, Toyota* ,2001 **Suzuki DL650 V-Strom 2004-2011** Editors of Haynes Manuals,2015-08-15 Suzuki DL650 V Strom 2004 2011 Service and Repair Manual 1996 2013 M273 Suzuki DL650 V

Strom manual Includes Color Wiring Diagrams This service manual provides specific detailed instructions for performing everything from basic maintenance and troubleshooting to a complete overhaul of the Suzuki DL650 V Strom Series motorcycle Do it yourselfers will find this service and repair manual more comprehensive than the factory manual making it an indispensable part of your tool box TROUBLESHOOTING LUBRICATION MAINTENANCE AND TUNE UP ENGINE TOP END ENGINE LOWER END CLUTCH AND EXTERNAL SHIFT MECHANISM TRANSMISSION AND INTERNAL SHIFT MECHANISM FUEL EMISSION CONTROL AND EXHAUST SYSTEMS ELECTRICAL SYSTEM COOLING SYSTEM WHEELS TIRES AND DRIVE CHAIN FRONT SUSPENSION AND STEERING REAR SUSPENSION BRAKES BODY AND FRAME COLOR WIRING DIAGRAMS Suzuki Volusia/Boulevard C50 (2001-2019) Clymer Repair Manual Clymer Publications,2020-02-25 Complete coverage for your 2001 20019 Suzuki Volusia Boulevard C50 Routine maintenance and servicing Tune up procedures Engine clutch and transmission repair Cooling system Fuel and exhaust Ignition and electrical systems Brakes wheels and tires Steering suspension and final drive Frame and bodywork Wiring diagrams Reference Section With a Clymer manual you can do it yourself from simple maintenance to basic repairs Clymer writes every book based on a complete teardown of the motorcycle We learn the best ways to do a job and that makes it quicker easier and cheaper for you Our books have clear instructions and hundreds of photographs that show each step Whether you re a beginner or a pro you can save big with Clymer Step by step procedures Easy to follow photos Complete troubleshooting section Valuable short cuts Model history and pre ride checks in color Color spark plug diagnosis and wiring diagrams Tools and workshop tips section in color **Suzuki Carry & Every 1990-1998 English Factory Parts Catalogue** James L Danko,2008-12-29 1990 to 1998 Suzuki Carry Truck Every Van English Factory Parts Catalogue Over 450 pages of every mechanical and electrical part of the vehicle Every system broken down into exploded diagrams for easy identification of parts and individual pieces Also an excellent guide for adding dealer options Replace wiring harnesses or any mechanical part on your truck or Every Van This manual covers all models from Carbureted EPI plus Turbo models 2WD 4WD including Diff Lock Series 4 5 Speed Manual 2WD 4WD Automatic Transmissions 2WD 4WD **The Auto Electrician's Guide ...** Michigan State Auto School,1919 **1981 Wiring Diagrams** ,1981 The Auto Electrician's Guide ... ,1921 Suzuki Matthew Coombs,Max Haynes,Phil Mather,2007-08-15 Haynes offers the best coverage for cars trucks vans SUVs and motorcycles on the market today Each manual contains easy to follow step by step instructions linked to hundreds of photographs and illustrations Included in every manual troubleshooting section to help identify specific problems tips that give valuable short cuts to make the job easier and eliminate the need for special tools notes cautions and warnings for the home mechanic color spark plug diagnosis and an easy to use index Complete coverage for your Suzuki GSF600 covering GSF600 650 and 1220 Bandit Fours for 95 to 06 Routine maintenance and servicing Tune up procedures Engine clutch and transmission repair Cooling system Fuel and exhaust Ignition and electrical systems Brakes wheels and tires Steering suspension and final drive Frame and bodywork

Wiring diagrams Reference section
Unit Wiring Diagram Manual ,1998

Wiring Diagram Service of Popular Makes of Cars ,1928*

Boyce's Engine Control

Reviewing **Suzuki Margalla Wiring Diagram**: Unlocking the Spellbinding Force of Linguistics

In a fast-paced world fueled by information and interconnectivity, the spellbinding force of linguistics has acquired newfound prominence. Its capacity to evoke emotions, stimulate contemplation, and stimulate metamorphosis is really astonishing. Within the pages of "**Suzuki Margalla Wiring Diagram**," an enthralling opus penned by a highly acclaimed wordsmith, readers embark on an immersive expedition to unravel the intricate significance of language and its indelible imprint on our lives. Throughout this assessment, we shall delve into the book's central motifs, appraise its distinctive narrative style, and gauge its overarching influence on the minds of its readers.

<https://hersolutiongelbuy.com/files/detail/Documents/sylvania%20sdvd7026%20portable%20dvd%20players%20owners%20manual.pdf>

Table of Contents Suzuki Margalla Wiring Diagram

1. Understanding the eBook Suzuki Margalla Wiring Diagram
 - The Rise of Digital Reading Suzuki Margalla Wiring Diagram
 - Advantages of eBooks Over Traditional Books
2. Identifying Suzuki Margalla Wiring Diagram
 - Exploring Different Genres
 - Considering Fiction vs. Non-Fiction
 - Determining Your Reading Goals
3. Choosing the Right eBook Platform
 - Popular eBook Platforms
 - Features to Look for in a Suzuki Margalla Wiring Diagram
 - User-Friendly Interface
4. Exploring eBook Recommendations from Suzuki Margalla Wiring Diagram
 - Personalized Recommendations
 - Suzuki Margalla Wiring Diagram User Reviews and Ratings

- Suzuki Margalla Wiring Diagram and Bestseller Lists
- 5. Accessing Suzuki Margalla Wiring Diagram Free and Paid eBooks
 - Suzuki Margalla Wiring Diagram Public Domain eBooks
 - Suzuki Margalla Wiring Diagram eBook Subscription Services
 - Suzuki Margalla Wiring Diagram Budget-Friendly Options
- 6. Navigating Suzuki Margalla Wiring Diagram eBook Formats
 - ePub, PDF, MOBI, and More
 - Suzuki Margalla Wiring Diagram Compatibility with Devices
 - Suzuki Margalla Wiring Diagram Enhanced eBook Features
- 7. Enhancing Your Reading Experience
 - Adjustable Fonts and Text Sizes of Suzuki Margalla Wiring Diagram
 - Highlighting and Note-Taking Suzuki Margalla Wiring Diagram
 - Interactive Elements Suzuki Margalla Wiring Diagram
- 8. Staying Engaged with Suzuki Margalla Wiring Diagram
 - Joining Online Reading Communities
 - Participating in Virtual Book Clubs
 - Following Authors and Publishers Suzuki Margalla Wiring Diagram
- 9. Balancing eBooks and Physical Books Suzuki Margalla Wiring Diagram
 - Benefits of a Digital Library
 - Creating a Diverse Reading Collection Suzuki Margalla Wiring Diagram
- 10. Overcoming Reading Challenges
 - Dealing with Digital Eye Strain
 - Minimizing Distractions
 - Managing Screen Time
- 11. Cultivating a Reading Routine Suzuki Margalla Wiring Diagram
 - Setting Reading Goals Suzuki Margalla Wiring Diagram
 - Carving Out Dedicated Reading Time
- 12. Sourcing Reliable Information of Suzuki Margalla Wiring Diagram
 - Fact-Checking eBook Content of Suzuki Margalla Wiring Diagram
 - Distinguishing Credible Sources

13. Promoting Lifelong Learning
 - Utilizing eBooks for Skill Development
 - Exploring Educational eBooks
14. Embracing eBook Trends
 - Integration of Multimedia Elements
 - Interactive and Gamified eBooks

Suzuki Margalla Wiring Diagram Introduction

In today's digital age, the availability of Suzuki Margalla Wiring Diagram books and manuals for download has revolutionized the way we access information. Gone are the days of physically flipping through pages and carrying heavy textbooks or manuals. With just a few clicks, we can now access a wealth of knowledge from the comfort of our own homes or on the go. This article will explore the advantages of Suzuki Margalla Wiring Diagram books and manuals for download, along with some popular platforms that offer these resources. One of the significant advantages of Suzuki Margalla Wiring Diagram books and manuals for download is the cost-saving aspect. Traditional books and manuals can be costly, especially if you need to purchase several of them for educational or professional purposes. By accessing Suzuki Margalla Wiring Diagram versions, you eliminate the need to spend money on physical copies. This not only saves you money but also reduces the environmental impact associated with book production and transportation. Furthermore, Suzuki Margalla Wiring Diagram books and manuals for download are incredibly convenient. With just a computer or smartphone and an internet connection, you can access a vast library of resources on any subject imaginable. Whether you're a student looking for textbooks, a professional seeking industry-specific manuals, or someone interested in self-improvement, these digital resources provide an efficient and accessible means of acquiring knowledge. Moreover, PDF books and manuals offer a range of benefits compared to other digital formats. PDF files are designed to retain their formatting regardless of the device used to open them. This ensures that the content appears exactly as intended by the author, with no loss of formatting or missing graphics. Additionally, PDF files can be easily annotated, bookmarked, and searched for specific terms, making them highly practical for studying or referencing. When it comes to accessing Suzuki Margalla Wiring Diagram books and manuals, several platforms offer an extensive collection of resources. One such platform is Project Gutenberg, a nonprofit organization that provides over 60,000 free eBooks. These books are primarily in the public domain, meaning they can be freely distributed and downloaded. Project Gutenberg offers a wide range of classic literature, making it an excellent resource for literature enthusiasts. Another popular platform for Suzuki Margalla Wiring Diagram books and manuals is Open Library. Open Library is an initiative of the Internet Archive, a non-profit organization dedicated to digitizing cultural artifacts and making them

accessible to the public. Open Library hosts millions of books, including both public domain works and contemporary titles. It also allows users to borrow digital copies of certain books for a limited period, similar to a library lending system. Additionally, many universities and educational institutions have their own digital libraries that provide free access to PDF books and manuals. These libraries often offer academic texts, research papers, and technical manuals, making them invaluable resources for students and researchers. Some notable examples include MIT OpenCourseWare, which offers free access to course materials from the Massachusetts Institute of Technology, and the Digital Public Library of America, which provides a vast collection of digitized books and historical documents. In conclusion, Suzuki Margalla Wiring Diagram books and manuals for download have transformed the way we access information. They provide a cost-effective and convenient means of acquiring knowledge, offering the ability to access a vast library of resources at our fingertips. With platforms like Project Gutenberg, Open Library, and various digital libraries offered by educational institutions, we have access to an ever-expanding collection of books and manuals. Whether for educational, professional, or personal purposes, these digital resources serve as valuable tools for continuous learning and self-improvement. So why not take advantage of the vast world of Suzuki Margalla Wiring Diagram books and manuals for download and embark on your journey of knowledge?

FAQs About Suzuki Margalla Wiring Diagram Books

How do I know which eBook platform is the best for me? Finding the best eBook platform depends on your reading preferences and device compatibility. Research different platforms, read user reviews, and explore their features before making a choice. Are free eBooks of good quality? Yes, many reputable platforms offer high-quality free eBooks, including classics and public domain works. However, make sure to verify the source to ensure the eBook credibility. Can I read eBooks without an eReader? Absolutely! Most eBook platforms offer webbased readers or mobile apps that allow you to read eBooks on your computer, tablet, or smartphone. How do I avoid digital eye strain while reading eBooks? To prevent digital eye strain, take regular breaks, adjust the font size and background color, and ensure proper lighting while reading eBooks. What the advantage of interactive eBooks? Interactive eBooks incorporate multimedia elements, quizzes, and activities, enhancing the reader engagement and providing a more immersive learning experience. Suzuki Margalla Wiring Diagram is one of the best book in our library for free trial. We provide copy of Suzuki Margalla Wiring Diagram in digital format, so the resources that you find are reliable. There are also many Ebooks of related with Suzuki Margalla Wiring Diagram. Where to download Suzuki Margalla Wiring Diagram online for free? Are you looking for Suzuki Margalla Wiring Diagram PDF? This is definitely going to save you time and cash in something you should think about. If you trying to find then search around for online. Without a doubt there are numerous these available and many of them have the freedom. However without doubt you

receive whatever you purchase. An alternate way to get ideas is always to check another Suzuki Margalla Wiring Diagram. This method for see exactly what may be included and adopt these ideas to your book. This site will almost certainly help you save time and effort, money and stress. If you are looking for free books then you really should consider finding to assist you try this. Several of Suzuki Margalla Wiring Diagram are for sale to free while some are payable. If you arent sure if the books you would like to download works with for usage along with your computer, it is possible to download free trials. The free guides make it easy for someone to free access online library for download books to your device. You can get free download on free trial for lots of books categories. Our library is the biggest of these that have literally hundreds of thousands of different products categories represented. You will also see that there are specific sites catered to different product types or categories, brands or niches related with Suzuki Margalla Wiring Diagram. So depending on what exactly you are searching, you will be able to choose e books to suit your own need. Need to access completely for Campbell Biology Seventh Edition book? Access Ebook without any digging. And by having access to our ebook online or by storing it on your computer, you have convenient answers with Suzuki Margalla Wiring Diagram To get started finding Suzuki Margalla Wiring Diagram, you are right to find our website which has a comprehensive collection of books online. Our library is the biggest of these that have literally hundreds of thousands of different products represented. You will also see that there are specific sites catered to different categories or niches related with Suzuki Margalla Wiring Diagram So depending on what exactly you are searching, you will be able to choose ebook to suit your own need. Thank you for reading Suzuki Margalla Wiring Diagram. Maybe you have knowledge that, people have search numerous times for their favorite readings like this Suzuki Margalla Wiring Diagram, but end up in harmful downloads. Rather than reading a good book with a cup of coffee in the afternoon, instead they juggled with some harmful bugs inside their laptop. Suzuki Margalla Wiring Diagram is available in our book collection an online access to it is set as public so you can download it instantly. Our digital library spans in multiple locations, allowing you to get the most less latency time to download any of our books like this one. Merely said, Suzuki Margalla Wiring Diagram is universally compatible with any devices to read.

Find Suzuki Margalla Wiring Diagram :

sylvania sdvd7026 portable dvd players owners manual
suzuki vz800 vz 800 1997 2002 full service repair manual
[sx 310 user manual](#)
[swisher zt2350 parts manual](#)
swokowski calculus solution manual algebra
[switched mode power supply circuit schematic](#)

[swarovski optik el 10x50 swarovision binoculars owners manual](#)

swift message type reference guide

[sweet alchemy dessert magic](#)

[sylvania lc260ss2 tvs owners manual](#)

[sym radar manual](#)

[symphonic wf2016 lcd color television repair manual](#)

[swiss legend 30041-06 watches owners manual](#)

[swedish meatball recipe cream](#)

swcs training holidays

Suzuki Margalla Wiring Diagram :

[interior parts for ford fairmont for sale ebay](#) - Feb 01 2023

web interior parts for ford fairmont do these parts fit your vehicle find out now enter vehicle info all auction buy it now 381 results brand sperling brand type condition buying format delivery options all filters single row custom leather look seat cover for ford fairmont 79 84 xe fits ford fairmont brand new

genuine oem parts accessories for ford fairmont ebay - Dec 31 2022

web get the best deals on genuine oem parts accessories for ford fairmont when you shop the largest online selection at ebay com free shipping on many items browse your favorite brands affordable prices

ford fairmont parts oer - Jul 06 2023

web oer parts offers a wide selection of ford fairmont parts including ford fairmont interior parts and soft trim ford fairmont exterior sheet metal ford fairmont moldings ford fairmont emblems ford fairmont weatherstrip and unique accessories to nearly every nut and bolt needed for installation

ford falcon xc wikipedia - Mar 22 2022

web curb weight 1 475 kg 3 251 8 lb chronology predecessor xb falcon successor xd falcon the ford falcon xc is a full size car that was produced by ford australia from 1976 to 1979 it was the third and last iteration of the third generation of the falcon and also included the ford fairmont xc the luxury oriented version of the falcon

ea eb ed ford falcon fairmont fairlane ghia lh guard - May 24 2022

web ea eb ed ford fairmont ghia lh guard does have some small dents scratches but nothing major ea eb ed ford falcon fairmont fairlane ghia lh guard car exterior parts tenterfield new south wales facebook marketplace

ea eb ed ef el falcon speedspares - Jun 05 2023

web ea eb ed ef el falcon ford ea eb ed ef el falcon shopping cart 0 items menu shop cart 0 account ea eb ed ef el falcon spare parts 75 products found sort headlamp ef el ford fairmont ghia 07 1994 07 1998 right hand sku fef 21032rhq 99 95

[genuine ford fairmont parts and accessories at fordpartsgiant](#) - Mar 02 2023

web popular genuine ford fairmont parts engine parts spark plug air filter water pump engine mount egr valve serpentine belt pilot bearing thermostat gasket view more lamps wiring parts fog light bulb headlight bulb battery cable

[ford fairmont parts accessories carparts com](#) - Oct 29 2022

web ford fairmont timing cover gasket ford fairmont u joint ford fairmont valve cover gasket ford fairmont water pump ford fairmont wheel bearing ford fairmont wheel lock set ford fairmont wiper blade our aftermarket ford fairmont parts and accessories come with a lifetime replacement guarantee free 60 day returns

[exterior parts for ford fairmont for sale ebay](#) - Jul 26 2022

web get the best deals on exterior parts for ford fairmont when you shop the largest online selection at ebay com free shipping on many items browse your favorite brands affordable prices

salvaging parts of the ed fairmont for the ea spack wagon project - Nov 29 2022

web salvaging parts of the ed fairmont for the ea spack wagon project including a ed xr6 momo leather steering wheel aboutpresscopyrightcontact

[ford fairmont parts classic industries](#) - Aug 07 2023

web classic industries offers a wide selection of ford fairmont parts including ford fairmont interior parts and soft trim ford fairmont exterior sheet metal ford fairmont moldings ford fairmont emblems ford fairmont weatherstrip and unique accessories to nearly every nut and bolt needed for installation

[ford parts accessories for ford fairmont for sale ebay](#) - Sep 08 2023

web get the best deals on ford parts accessories for ford fairmont when you shop the largest online selection at ebay com free shipping on many items browse your favorite brands affordable prices

[parts accessories for ford fairmont for sale ebay](#) - Apr 03 2023

web get the best deals on parts accessories for ford fairmont when you shop the largest online selection at ebay com free shipping on many items browse your favorite brands affordable prices

rare spares ford ea eb ed ef el - Oct 09 2023

web nov 9 2023 pricelists ford ea eb ed ef el view all price lists ford ea eb ed ef el rare spares restoration spare parts accessories price list as at 6 11 2023 prices include gst and are subject to change without notice please click on part number to purchase product download with images print pricelist

[ford falcon ed wikipedia](#) - Jun 24 2022

web introduction the ford ed falcon was introduced in august 1993 replacing the ford eb falcon which had been released in july 1991 although over 280 changes were made for the new model the most obvious visual difference was a new oval shaped grille falcon xr6 and falcon xr8 models now featured a unique four headlight frontal treatment it

wiring diagrams for ed and ef ford forums - Apr 22 2022

web may 21 2002 310 posts joined 2001 1 may 20 2002 guys i am after a copy of the wiring diagrams for the ed and ef any able to copy supply copies out of the ford workshop manuals i have aftermarket workshop manuals but the wiring diags in these are not accurate any help appreciated as i do not wish to spend 300 on the workshop

ford fairmont parts at andy s auto sport - May 04 2023

web ford fairmont parts at andy s auto sport we carry a huge selection of ford fairmont parts we have everything from affordable fairmont aftermarket parts to high end ford fairmont performance parts we have an excellent selection of fairmont custom parts like body kits carbon hoods custom seats and rims to name a few

ford falcon eb wikipedia - Aug 27 2022

web ford falcon ea successor ford falcon ed the ford falcon eb is a full sized car that was produced by ford australia from 1991 to 1993 it was the second iteration of the fifth generation of the falcon and also included the ford fairmont eb the luxury oriented version it launched shortly before the holden commodore vp

ford falcon xf wikipedia - Feb 18 2022

web the ford falcon xf is a full sized car that was produced by ford australia from 1984 to 1988 it was the third and final iteration of the fourth generation of the falcon and also included the ford fairmont xf the luxury oriented version between 1993 and 1999 this series provided the platform for the falcon utility xg and xh that was sold alongside

ford fairmont parts sparesbox - Sep 27 2022

web shop ford fairmont parts at sparesbox looking for parts for your ford fairmont shop the widest range of ford fairmont parts in australia using sparesbox intelligent vehicle search tool for guaranteed fitment

5 4 mitosis biology libretexts - Jan 09 2023

web to see mitosis occurring in a plant the best place to look are the growing tips as most plants experience apical growth growth from the tips obtain a prepared slide of an onion root tip *allium cepa* cells toward the apex pointed end are likely to have been caught in a stage of active division

normal mitosis phases in root tips meristems of allium cepa l root tip - Dec 08 2022

web download scientific diagram normal mitosis phases in root tips meristems of *allium cepa* l root tip cells prophase a metaphase b anaphase c telophase d scale bar 10 μm from

cell cycle and mitosis laboratory notes for bio 1003 - Mar 11 2023

web oct 3 2010 allium root tip examine the square cells just inside the root cap this is the root meristem embryonic tissue where mitosis is occurring farther up the root is the elongation zone where cells are long rectangles these cells are not undergoing mitosis i

mitosis in onion root tips histology guide - May 01 2022

web mitosis iron hematoxylin an onion root tip is a rapidly growing part of an onion and thus many cells will be in different stages of mitosis an onion cell possesses 8 chromosomes whereas human cells possess 46 chromosomes examine the following cells in different stages of mitosis observe the cell at the center of each view

microscopy california state university northridge - May 13 2023

web find and make observations of cells in each phase of mitosis in plant and animal tissue compare the differences between plant and animal mitosis be able to correctly identify the phases from both plant and animal tissue materials prepared slide labeled allium root mitosis prepared slide labeled whitefish blastula mitosis compound

stages of mitosis from root tip squash in allium pdf scribd - Jul 03 2022

web original title stages of mitosis from root tip squash in allium uploaded by patricia brooks copyright all rights reserved flag for inappropriate content share of 15 stages of mitosis from root tip squash in allium f lab number 7 observe slides and identify the stages of mitosis in root tip squash of allium as seen under light microscope

13 2 mitosis the science of plants open textbook library - Apr 12 2023

web the micrographs below are onion allium cepa root tip cells onion has $2n$ 16 chromosomes each of the cells has two sets of chromosomes where each set is made up of eight chromosomes the micrographs are real examples of the illustrations above stages of mitosis in onion root tip melissa ha cc by nc sa 2 0 interphase

composite of all stages of mitosis in onion root tip labeled - Sep 05 2022

web composite of all stages of mitosis in onion roo image composite of all stages of mitosis in onion root tip labeled photographer clayton michael w summary photomicrograph download download keyboard arrow down file medium 1024x768 small root allium from the collection

mitosis in onion root tip allium cepa biocyclopedia - Aug 04 2022

web mitosis is also called somatic cell division or equatorial division the process of cell division whereby chromosomes are duplicated and distributed equally to the daughter cells is called mitosis it helps to maintain the constant chromosome number in all cells of the body

root movement phenomenal image student handout hhmi - Dec 28 2021

web cell division and root elongation such processes enable a root to grow down into the soil to generate this image arabidopsis thaliana plants were genetically labeled with a plasma membrane marker in green and a nuclear marker in

purple the root tips were imaged using time lapse microscopy in a confocal microscope with a vertical
allium onion root tip mitosis slide home science tools - Mar 31 2022

web sku ms allroot this onion root tip slide shows a monocot root tip with all stages of mitosis visible telophase the final phase of cell division will appear as two nuclei are formed and have little or no cell wall between

1 9 mitosis and meiosis biology libretexts - Aug 16 2023

web jul 11 2023 obtain a slide of allium root tip for observation of the stages of mitosis in a plant cell examine the slide under a microscope draw and label all stages of mitosis below

making the most of onion root tip mitosis - Jan 29 2022

web 1 labeled student number of cells stage the individual student comparison of mitotic index and average cell length at various levels in the root tip mitotic index and average cell length expressed as percentage of maximum observed root tip of allium cepa amer j bot 45 365 372 mazia d 1961 mitosis and the phy

mitosis metaphase allium or onion root tip slide preparation - Jun 02 2022

web aug 18 2021 this video of mitosis allium or onion root tip slide preparation supports chapter 11 cell division in anatomy and physiology text and laboratory workbo

investigating mitosis in allium root tip squash - Jun 14 2023

web investigating mitosis in allium root tip squash class practical talking about what chromosomes do during mitosis could be very interesting but seeing them for yourself adds an extra dimension there are several protocols available for this work and it is notoriously unreliable often you will not find many dividing cells at all

onion cell mitosis gwisd us - Feb 10 2023

web microscope prepared slides of onion allium root tips procedure obtain a prepared slide of an onion root tip there will be three root tips on a slide hold the slide up to the light to see the pointed ends of the root sections this is

chromosomal and nuclear alterations in root tip cells of allium - Feb 27 2022

web dec 28 2013 the root meristem contains a high proportion of cells in mitosis 1 3 plant systems had a major part in early investigations of the genetic changes caused by mutagenic chemicals and radiation one of the most suitable plants for detecting different types of xenobiotics is allium cepa l

onion root mitosis microscopy uk - Jul 15 2023

web onion root mitosis allium root tip by joseph c rossi it is common to see photomicrographs of onion root cells when demonstrating how cell division takes place in plants onions have larger chromosomes than most plants and stain dark the chromosomes are easily observed through a compound light microscope

mitosis in an onion root the biology corner - Oct 06 2022

web procedure you will be given a slide of allium which is an onion root tip growth occurs when cells divide so the root tips should have several cells in the process of cell division view the root tip under the microscope and search for organized blocks of cells where nuclei are plainly visible

allium root tips mitosis prepared microscope slide hbarsci - Nov 07 2022

web prepared slide with allium root tips longitudinal section showing cells in all stages of mitosis with dna stained to clearly show chromosomes useful for exploring structure function connections as per ngss standards expertly prepared and labeled for easy identification available in single slide 10 pack and 25 pa

the art of intrusion the real stories behind the - Feb 24 2023

web the art of intrusion the real stories behind the exploits of hackers intruders deceivers is a book by kevin mitnick that is a collection of stories about social

pdf epub the art of intrusion the real stories behind the - Apr 16 2022

web buy the art of intrusion the real stories behind the exploits of hackers intruders and deceivers book online at low prices in india the art of intrusion the real stories

the art of intrusion wikipedia - Jan 26 2023

web infamous criminal hacker turned computer security consultant mitnick offers an expert sequel to his best selling the art of deception this time supplying real life rather than

the art of intrusion the real stories behind the exploits of - Oct 03 2023

web ated their stories with details intended to make them more compelling or spun a story that was a total fabrication but constructed around enough workable exploits to give them the

the art of intrusion the real stories behind the exploits of - May 30 2023

web mar 17 2009 the art of intrusion the real stories behind the exploits of hackers intruders and deceivers kevin d mitnick william l simon john wiley sons mar 17

the art of intrusion mitnick security - Nov 23 2022

web the art of intrusion the real stories behind the exploits of hackers intruders deceivers mitnick kevin d kevin david 1963 free download borrow and streaming

the art of intrusion the real stories behind the exploits of - Nov 11 2021

buy the art of intrusion the real stories behind the exploits of - Feb 12 2022

web compre online the art of intrusion the real stories behind the exploits of hackers intruders deceivers the real stories behind the exploits of hackers intruders and

the art of intrusion the real stories behind the - Dec 25 2022

web verified purchase few people in the world of computer attacking and defense are surrounded by so many stories and mystique as is kevin mitnick his first book the art

the art of intrusion the real stories behind the - Mar 28 2023

web the art of intrusion the real stories behind the exploits of hackers intruders and deceivers ebook written by kevin d mitnick william l simon read this book using

the art of intrusion the real stories behind the exploits of - Jun 30 2023

web this item the art of intrusion the real stories behind the exploits of hackers intruders and deceivers the art of deception controlling the human element of security

the art of intrusion the real stories behind the exploits of - May 18 2022

web shop the art of intrusion the real stories behind the exploits of hackers intruders and deceivers paperback illustrated december 27 2005 online at a best price in turkey

the art of intrusion the real stories behind the explo - Aug 01 2023

web jan 1 2005 the art of intrusion the real stories behind the exploits of hackers intruders and deceivers kevin d mitnick william l simon 3 90 3 406 ratings141

buy the art of intrusion the real stories behind the exploits of - Jan 14 2022

web description hacker extraordinaire kevin mitnick delivers the explosive encore to his bestselling the art of deception kevin mitnick the world s most celebrated hacker now

the art of intrusion the real stories behind the exploits of - Jul 20 2022

web the art of intrusion the real stories behind the exploits of hackers intruders deceivers mitnick kevin d simon william l amazon com tr kitap

the art of intrusion the real stories behind the exploits of - Aug 21 2022

web the art of intrusion the real stories behind the exploits of hackers intruders deceivers is a book by kevin mitnick that is a collection of stories about social

the art of intrusion wikiwand - Jun 18 2022

web oct 31 2022 author name kevin d mitnick book genre computers computer science crime hackers history mystery nonfiction programming science technical

the art of intrusion the real stories behind the exploits of - Apr 28 2023

web the art of intrusion the real stories behind the exploits of hackers intruders and deceivers book by released march 2005 publisher s wiley isbn 9780764569593

the art of intrusion the real stories behind the exploits of - Oct 23 2022

web the art of intrusion the real stories behind the exploits of hackers intruders deceivers december 2005 authors kevin d mitnick 1 publisher john wiley sons

the art of intrusion the real stories behind the exploits of - Sep 02 2023

web the art of intrusion the real stories behind the exploits of hackers intruders and deceivers wiley kevin d mitnick william l simon isbn 978 0 471 78266 7288

the art of intrusion the real stories behind the exploits of - Dec 13 2021

the art of intrusion the real stories behind the exploits of hackers - Sep 21 2022

web the art of intrusion the real stories behind the exploits of hackers intruders and deceivers ciltli kapak 4 mart 2005 İngilizce baskı kevin d mitnick eser sahibi

the art of intrusion the real stories behind the turkey ubuy - Mar 16 2022

web the art of intrusion the real stories behind the exploits of hackers intruders and deceivers hardcover import 4 march 2005 by kevin d mitnick author william l