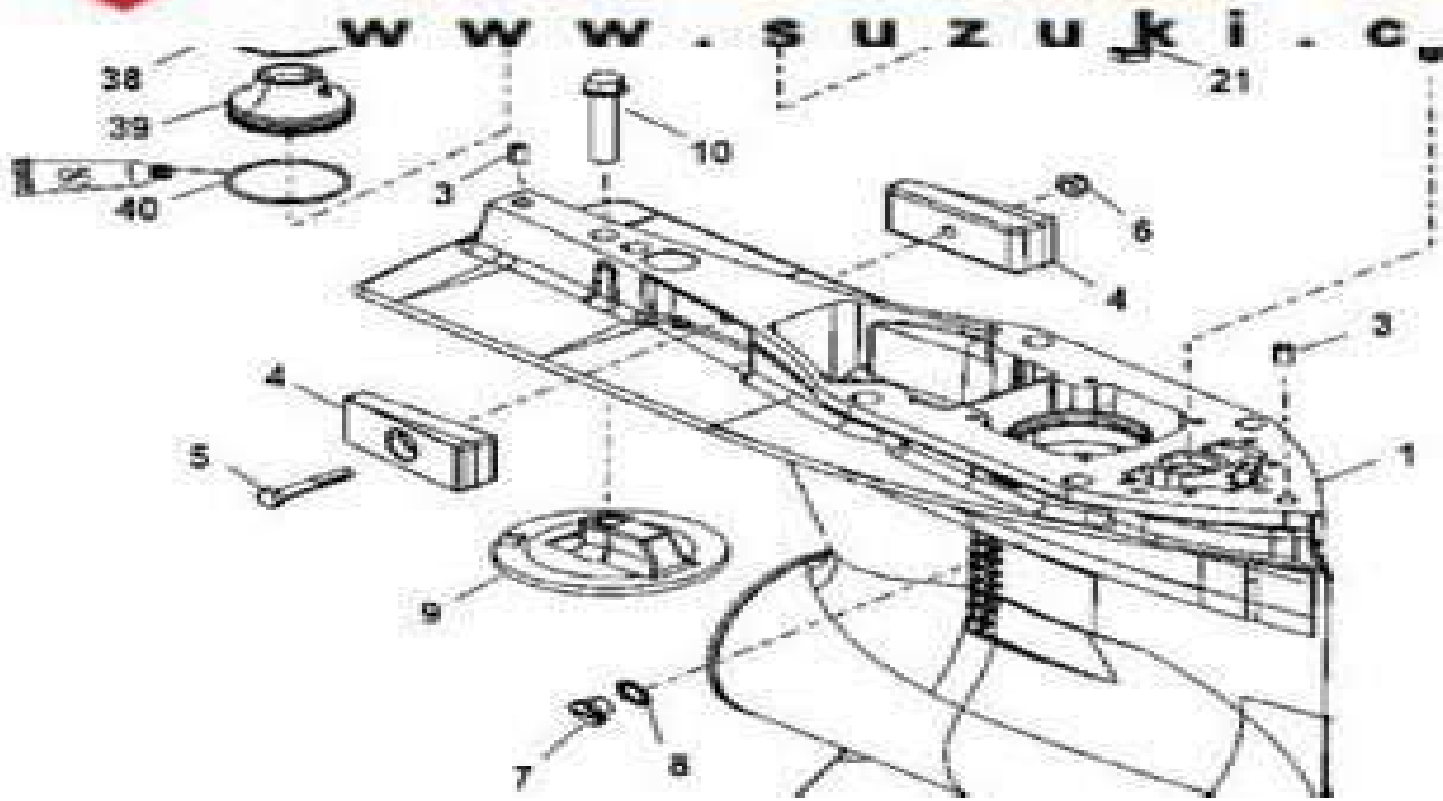


**SUZUKI**®

[www.suzuki.com](http://www.suzuki.com)



# Suzuki Vs14intruder Service Manual

**Suzuki Jidōsha Kōgyō Kabushiki Kaisha**

## **Suzuki Vs14intruder Service Manual:**

**Suzuki VS1400 93-97 Service Manual** Suzuki Jidōsha Kōgyō Kabushiki Kaisha,1992 This manual is suitable for experienced mechanics as well as apprentice mechanics and do it yourself mechanics **Suzuki Service Manual** Suzuki Jidōsha Kōgyō Kabushiki Kaisha. Export Service Section,1971 **Suzuki Intruder, Marauder, Volusia and Boulevard 85 to 09** Max Haynes,2010-04-15 Haynes manuals are written specifically for the do it yourselfer yet are complete enough to be used by professional mechanics Since 1960 Haynes has produced manuals written from hands on experience based on a vehicle teardown with hundreds of photos and illustrations making Haynes the world leader in automotive repair information

**Suzuki Service Manual** Suzuki Jidosha Kogyo Kabusjiki Kaisha. International Service Department,197? **Suzuki GSF600 & 1200 Bandit Fours Service and Repair Manual** Matthew Coombs,1997 Suzuki GSF600 GSF1200 Bandit Fours 1995 97 Shop Manual Haynes Covers 6cc and 12cc models 256 pgs 614 b w ill **Suzuki SJ & Vitara 1982 to 1997 (up to P Registration) 4-cyl Petrol** Bob Henderson,A. K. Legg,1994-05-01 SJ410 SJ413 Vitara inc Santana Samurai special limited editions Petrol 1 0 litre 970cc 1 3 litre 1298 1324cc 1 6 litre 1590cc 4 cyl Does NOT cover V6 engines **Suzuki Samurai/Sidekick & Geo Tracker Automotive Repair Manual** Bob Henderson,John Harold Haynes,1995 Haynes disassembles every subject vehicle and documents every step with through instructions and clear photos Haynes repair manuals are used by the pros but written for the do it yourselfer **Suzuki Carry & Every English Factory Service Manual** James Danko,2008-05 For Suzuki Carry Every Van owners here is your new Carry Every Fatory Service Manual never before available in English Vehicle Types All including Specialty Vehicles Jacking Positions Vehicle Engine Decoding Vehicle Data Body Chassis Frame Steering Front Suspension Rear Suspension Differential Diff Lock Exhaust System Engine Cooling Fuel System Tune Up Procedure Ignition system Electronic Conventional Starter System Circuits Charging System Manual Transmission 2WD 4WD Electrical Full Brake down Schematics Brake System Engine Complete Overhaul Measurement Conversion Chart Enjoy the book and there are more coming for Honda Daihatsu Subaru Mitsubishi and others

[Suzuki Service Manual](#) Suzuki Jidōsha Kōgyō Kabushiki Kaisha. Export Service Section,1973 [Suzuki Service Manual, Model TS250R.](#) Suzuki Jidōsha Kōgyō Kabushiki Kaisha. Export Service Section,1971 *Suzuki Service Manual ,1973*

*Suzuki Service Manual, Model TS 185* Suzuki Jidōsha Kōgyō Kabushiki Kaisha. Export Service Section,1971 *Suzuki U70 Service Manual* Suzuki Jidōsha Kōgyō Kabushiki Kaisha,1967 **Suzuki Volusia/Boulevard C50 (2001-2019) Clymer Repair Manual** Clymer Publications,2020-02-25 Complete coverage for your 2001 20019 Suzuki Volusia Boulevard C50 Routine maintenance and servicing Tune up procedures Engine clutch and transmission repair Cooling system Fuel and exhaust Ignition and electrical systems Brakes wheels and tires Steering suspension and final drive Frame and bodywork Wiring diagrams Reference Section With a Clymer manual you can do it yourself from simple maintenance to basic repairs Clymer writes every book based on a complete teardown of the motorcycle We learn the best ways to do a job and that makes

it quicker easier and cheaper for you Our books have clear instructions and hundreds of photographs that show each step Whether you re a beginner or a pro you can save big with Clymer Step by step procedures Easy to follow photos Complete troubleshooting section Valuable short cuts Model history and pre ride checks in color Color spark plug diagnosis and wiring diagrams Tools and workshop tips section in color **Suzuki VS1400** Suzuki Jidōsha Kōgyō Kabushiki Kaisha,1996

Suzuki Volusia & Boulevard C50 from 2001-2017 Clymer Repair Manual Clymer Publications,2018-05-01 Complete coverage for your Suzuki Volusia Boulevard C50 manufactured from 2001 2017 Routine maintenance and servicing Tune up procedures Engine clutch and transmission repair Cooling system Fuel and exhaust Ignition and electrical systems Brakes wheels and tires Steering suspension and final drive Frame and bodywork Wiring diagrams Reference Section With a Clymer manual you can do it yourself from simple maintenance to basic repairs Clymer writes every book based on a complete teardown of the motorcycle We learn the best ways to do a job and that makes it quicker easier and cheaper for you Our books have clear instructions and hundreds of photographs that show each step Whether you re a beginner or a pro you can save big with Clymer Step by step procedures Easy to follow photos Complete troubleshooting section Valuable short cuts Model history and pre ride checks in color Color spark plug diagnosis and wiring diagrams Tools and workshop tips section in color The specific models covered by this manual are Suzuki Volusia 2001 2004 Suzuki Boulevard C50 2005 2017

*Suzuki Carry Da63t Electrical Service Manual & Diagrams* James Danko,2011 *Suzuki LT-F250 Service Manual* Suzuki Jidōsha Kōgyō Kabushiki Kaisha. Motorcycle Technical Service Department,1992 Haynes Suzuki, Intruder, Marauder, Volusia, and Boulevard '85 To '06 Alan Ahlstrand,2007-02 Models covered VS700 750 800 Intruder 1985 thru 2004 VZ800 Marauder 1997 thru 2004 VL800 Volusia 2001 thru 2004 Boulevard C50 2005 and 2006 Boulevard M50 2005 and 2006 Boulevard S50 2005 and 2006 *Suzuki VZ800 Service Manual* Suzuki Jidōsha Kōgyō Kabushiki Kaisha,2000

## Decoding **Suzuki Vs14intruder Service Manual**: Revealing the Captivating Potential of Verbal Expression

In a time characterized by interconnectedness and an insatiable thirst for knowledge, the captivating potential of verbal expression has emerged as a formidable force. Its capability to evoke sentiments, stimulate introspection, and incite profound transformations is genuinely awe-inspiring. Within the pages of "**Suzuki Vs14intruder Service Manual**," a mesmerizing literary creation penned by way of a celebrated wordsmith, readers attempt an enlightening odyssey, unraveling the intricate significance of language and its enduring impact on our lives. In this appraisal, we shall explore the book's central themes, evaluate its distinctive writing style, and gauge its pervasive influence on the hearts and minds of its readership.

[https://hersolutiongelbuy.com/files/scholarship/Documents/Volume\\_Of\\_Cylinders\\_And\\_Cones\\_Answer\\_Key.pdf](https://hersolutiongelbuy.com/files/scholarship/Documents/Volume_Of_Cylinders_And_Cones_Answer_Key.pdf)

### **Table of Contents Suzuki Vs14intruder Service Manual**

1. Understanding the eBook Suzuki Vs14intruder Service Manual
  - The Rise of Digital Reading Suzuki Vs14intruder Service Manual
  - Advantages of eBooks Over Traditional Books
2. Identifying Suzuki Vs14intruder Service Manual
  - Exploring Different Genres
  - Considering Fiction vs. Non-Fiction
  - Determining Your Reading Goals
3. Choosing the Right eBook Platform
  - Popular eBook Platforms
  - Features to Look for in an Suzuki Vs14intruder Service Manual
  - User-Friendly Interface
4. Exploring eBook Recommendations from Suzuki Vs14intruder Service Manual
  - Personalized Recommendations
  - Suzuki Vs14intruder Service Manual User Reviews and Ratings
  - Suzuki Vs14intruder Service Manual and Bestseller Lists

5. Accessing Suzuki Vs14intruder Service Manual Free and Paid eBooks
  - Suzuki Vs14intruder Service Manual Public Domain eBooks
  - Suzuki Vs14intruder Service Manual eBook Subscription Services
  - Suzuki Vs14intruder Service Manual Budget-Friendly Options
6. Navigating Suzuki Vs14intruder Service Manual eBook Formats
  - ePub, PDF, MOBI, and More
  - Suzuki Vs14intruder Service Manual Compatibility with Devices
  - Suzuki Vs14intruder Service Manual Enhanced eBook Features
7. Enhancing Your Reading Experience
  - Adjustable Fonts and Text Sizes of Suzuki Vs14intruder Service Manual
  - Highlighting and Note-Taking Suzuki Vs14intruder Service Manual
  - Interactive Elements Suzuki Vs14intruder Service Manual
8. Staying Engaged with Suzuki Vs14intruder Service Manual
  - Joining Online Reading Communities
  - Participating in Virtual Book Clubs
  - Following Authors and Publishers Suzuki Vs14intruder Service Manual
9. Balancing eBooks and Physical Books Suzuki Vs14intruder Service Manual
  - Benefits of a Digital Library
  - Creating a Diverse Reading Collection Suzuki Vs14intruder Service Manual
10. Overcoming Reading Challenges
  - Dealing with Digital Eye Strain
  - Minimizing Distractions
  - Managing Screen Time
11. Cultivating a Reading Routine Suzuki Vs14intruder Service Manual
  - Setting Reading Goals Suzuki Vs14intruder Service Manual
  - Carving Out Dedicated Reading Time
12. Sourcing Reliable Information of Suzuki Vs14intruder Service Manual
  - Fact-Checking eBook Content of Suzuki Vs14intruder Service Manual
  - Distinguishing Credible Sources
13. Promoting Lifelong Learning

- Utilizing eBooks for Skill Development
  - Exploring Educational eBooks
14. Embracing eBook Trends
- Integration of Multimedia Elements
  - Interactive and Gamified eBooks

### **Suzuki Vs14intruder Service Manual Introduction**

In the digital age, access to information has become easier than ever before. The ability to download Suzuki Vs14intruder Service Manual has revolutionized the way we consume written content. Whether you are a student looking for course material, an avid reader searching for your next favorite book, or a professional seeking research papers, the option to download Suzuki Vs14intruder Service Manual has opened up a world of possibilities. Downloading Suzuki Vs14intruder Service Manual provides numerous advantages over physical copies of books and documents. Firstly, it is incredibly convenient. Gone are the days of carrying around heavy textbooks or bulky folders filled with papers. With the click of a button, you can gain immediate access to valuable resources on any device. This convenience allows for efficient studying, researching, and reading on the go. Moreover, the cost-effective nature of downloading Suzuki Vs14intruder Service Manual has democratized knowledge. Traditional books and academic journals can be expensive, making it difficult for individuals with limited financial resources to access information. By offering free PDF downloads, publishers and authors are enabling a wider audience to benefit from their work. This inclusivity promotes equal opportunities for learning and personal growth. There are numerous websites and platforms where individuals can download Suzuki Vs14intruder Service Manual. These websites range from academic databases offering research papers and journals to online libraries with an expansive collection of books from various genres. Many authors and publishers also upload their work to specific websites, granting readers access to their content without any charge. These platforms not only provide access to existing literature but also serve as an excellent platform for undiscovered authors to share their work with the world. However, it is essential to be cautious while downloading Suzuki Vs14intruder Service Manual. Some websites may offer pirated or illegally obtained copies of copyrighted material. Engaging in such activities not only violates copyright laws but also undermines the efforts of authors, publishers, and researchers. To ensure ethical downloading, it is advisable to utilize reputable websites that prioritize the legal distribution of content. When downloading Suzuki Vs14intruder Service Manual, users should also consider the potential security risks associated with online platforms. Malicious actors may exploit vulnerabilities in unprotected websites to distribute malware or steal personal information. To protect themselves, individuals should ensure their devices have reliable antivirus software installed and validate the legitimacy of the websites they are downloading from.

In conclusion, the ability to download Suzuki Vs14intruder Service Manual has transformed the way we access information. With the convenience, cost-effectiveness, and accessibility it offers, free PDF downloads have become a popular choice for students, researchers, and book lovers worldwide. However, it is crucial to engage in ethical downloading practices and prioritize personal security when utilizing online platforms. By doing so, individuals can make the most of the vast array of free PDF resources available and embark on a journey of continuous learning and intellectual growth.

### **FAQs About Suzuki Vs14intruder Service Manual Books**

How do I know which eBook platform is the best for me? Finding the best eBook platform depends on your reading preferences and device compatibility. Research different platforms, read user reviews, and explore their features before making a choice. Are free eBooks of good quality? Yes, many reputable platforms offer high-quality free eBooks, including classics and public domain works. However, make sure to verify the source to ensure the eBook credibility. Can I read eBooks without an eReader? Absolutely! Most eBook platforms offer web-based readers or mobile apps that allow you to read eBooks on your computer, tablet, or smartphone. How do I avoid digital eye strain while reading eBooks? To prevent digital eye strain, take regular breaks, adjust the font size and background color, and ensure proper lighting while reading eBooks. What the advantage of interactive eBooks? Interactive eBooks incorporate multimedia elements, quizzes, and activities, enhancing the reader engagement and providing a more immersive learning experience. Suzuki Vs14intruder Service Manual is one of the best book in our library for free trial. We provide copy of Suzuki Vs14intruder Service Manual in digital format, so the resources that you find are reliable. There are also many Ebooks of related with Suzuki Vs14intruder Service Manual. Where to download Suzuki Vs14intruder Service Manual online for free? Are you looking for Suzuki Vs14intruder Service Manual PDF? This is definitely going to save you time and cash in something you should think about.

### **Find Suzuki Vs14intruder Service Manual :**

**volume of cylinders and cones answer key**

**volvo grader service manual**

**voltas split ac remote manual window**

[volvo 760 gle maintenance manual](#)

~~volume and surface area independent practice answers~~

*volvo ec35 manual*



**volvo ec20b xtv compact excavator service repair manual**

volvo md2010 workshop manual

volvo c30 manual 2007

**volvo fh workshop manual**

*volvo owners manual v40*

~~volvo a40f manual~~

**volvo penta md2030 manuale duso**

volvo penta md7b instruction book owners manual

*volvo fh owners manual*

**Suzuki Vs14intruder Service Manual :**

**secondary grades 10 12 business studies pearson estore** - May 11 2023

web out of stock platinum business studies grade 12 teacher s guide epdf perpetual licence r 296 00 out of stock enjoy  
business studies grade 10 teacher s guide

**en 10204 malzeme sertifikası nedir inspecco** - Feb 25 2022

web 10 09 2023 yeni ders programimiz 11 09 2023 devamını oku 22 11 2022 okul ziyaretlerimiz devamını oku 22 11 2022  
etwinning ulusal kalite etiket belgesi

**secondary grades 10 12 languages pearson online shop** - Jun 12 2023

web spot on english first additional language grade 12 teacher s guide epdf 1 year licence r 149 00 out of stock kwaxhosa  
zibenza zibutya isixhosa hl grade 10 teacher s

*secondary grades 10 12 languages siswati home language* - Aug 14 2023

web sort platinum letfwese siswati hl grade 12 learner s book epdf 1 year licence r 139 00 out of stock platinum letfwese  
siswati hl grade 10 learner s book epdf 1

**manİsa Şehzadeler tbmm 85 yıl mesleki ve teknik** - Jan 27 2022

web r 174 00 out of stock spot on english first additional language grade 10 teacher s guide epdf 1 year licence r 89 00 out of  
stock spot on english first additional language

*grade 10 grade 10 mml co za pdf full pdf bukuclone ortax* - Apr 29 2022

web t c millî eğitim bakanlığı rİze pazar 10 mart mesleki ve teknik anadolu lisesi

tureng malzeme türkçe İngilizce sözlük - May 31 2022

web grade 10 grade 10 mml co za pdf upload suny d hayda 2 4 downloaded from bukuclone ortax org on september 5 2023

by suny d hayda study and master

[grade 10 free study resources directory for caps my courses](#) - Jan 07 2023

web 10 sınıf İngilizce school life test çöz ve puan kazan bu konuda yeni nesil beceri temelli sorular kazanım testleri ile konu kavrama testleri bulunmaktadır bu testi çözerek yazılı

[grade 10 grade 10 mml co za pdf pdf cqa6 e4score](#) - Oct 04 2022

web jun 6 2023 grade 10 grade 10 mml co za 1 5 downloaded from uniport edu ng on june 6 2023 by guest grade 10 grade 10 mml co za if you ally craving such a referred

**10 sınıf İngilizce school life testi Çöz testkolik** - Dec 06 2022

web damelin correspondence college grade 10 national senior certificate grade 10 caps course fee price enquire with a consultant course introduction the national senior

[rıze pazar pazar 10 mart mesleki ve teknik anadolu lisesi](#) - Mar 29 2022

web bu yazımızda malzeme sertifikalarının içerik ve yapısını belirleyen piyasada 10204 belgesi 3 1 belgesi gibi isimlerle anlatılan sertifikanın ne olduğunu anlatmaya çalışacağız

[secondary grades 10 12 pearson online shop mml](#) - Dec 26 2021

web secondary grades 10 12 languages isizulu home language shop at the maskew miller learning estore where we believe in all kinds of learning for all kinds of people

**damelin correspondence college grade 10 uni24 co za** - Nov 05 2022

web grade 10 grade 10 mml co za pdf pages 2 13 grade 10 grade 10 mml co za pdf upload mia a robertson 2 13 downloaded from cqa6 e4score com on september 5

**grade 10 grade 10 mml co za uniport edu** - Aug 02 2022

web 2 grade 10 grade 10 mml co za 2022 07 26 and serological identification of mycoplasmas from humans section b focuses on techniques for isolating mycoplasmas

**grade 10 past exam papers testpapers** - Mar 09 2023

web on this page you will find department of education grade 10 past exams question papers memos test papers revision notes and study guides from all south african

**mml logo** - Apr 10 2023

web the largest collection of past exam papers for grade 10 caps the memo s and exam papers are available in afrikaans and english the past exam papers are available for 15

**secondary grades 10 12 languages english first additional** - Jul 13 2023

web x kit achieve english first additional language grade 10 study guide exam practice epdf perpetual licence

[secondary grades 10 12 languages isizulu home language](#) - Nov 24 2021

web sort hamlet english home language grade 12 drama epdf perpetual licence r 100 00 out of stock hamlet english home language grade 12 drama epdf 1 year

**secondary grades 10 12 languages english home language** - Oct 24 2021

web high school grades 10 12 life sciences life sciences items 1 36 of 43 sort by set descending direction filter sort x kit achieve life sciences grade 10 study guide 2 e

[secondary grades 10 12 life sciences pearson estore](#) - Sep 22 2021

**grade 10 grade 10 mml co za pdf wef tamu** - Jul 01 2022

web İngilizce türkçe online sözlük tureng kelime ve terimleri çevir ve farklı aksanlarda sesli dinleme material malzeme relay yedek malzeme equipment malzeme ne demek

[grade 10 grade 10 mml co za copy uniport edu](#) - Sep 03 2022

web aug 3 2023 grade 10 grade 10 mml co za 1 1 downloaded from uniport edu ng on august 3 2023 by guest grade 10 grade 10 mml co za eventually you will totally

[grade 10 past exams question papers memos](#) - Feb 08 2023

web aug 23 2023 grade 10 free study resources directory for caps on this page we have compiled 100s of study resources for grade 10 learners to download and use for their

**preparez avec efficacite votre certification cisc** - Sep 04 2022

web 4 preparez avec efficacite votre certification cisc 2022 03 03 les acteurs de la vae se familiariser avec cet environnement spécifique savoir comment financer une vae bien évaluer son niveau et son profil choisir le diplôme adéquat rédiger son dossier et préparer sa présentation mettre en place les conditions

**preparez avec efficacite votre certification cisc fabrice aimetti** - Jan 08 2023

web preparez avec efficacite votre certification cisc preparez avec efficacite votre certification cisc 2 downloaded from rjonline org on 2020 04 01 by guest guide that works hand in hand with any learning tool including the sybex ccna cisco certified network associate study guide 6th and deluxe editions the book will consist of four high level

**comment obtenir le certificat ce tÜrcert** - Mar 30 2022

web une fois que votre produit porte le marquage ce marquage ce vous devrez peut être fournir tous les documents justificatifs aux distributeurs et ou aux importateurs pour obtenir un certificat ce les entreprises doivent suivre les étapes suivantes étape identification du produit déterminer quelles directives le produit est couvert

**efficacite votre certification cisco carrière réseau avec** - Dec 27 2021

web de preparez avec efficacite votre telechargement de preparez avec efficacite votre les 5 meilleurs livres pour russir la certification ccna noform 385 rue charles perrault clon 2020 scribtel formation formation informatique certification et dveloppement de apprendre l anglais en ligne cours vido formation avec pdf plet

*preparez avec efficacite votre certification cisc - Nov 06 2022*

web merely said the preparez avec efficacite votre certification cisc is universally compatible with any devices to read the official introduction to the itil service lifecycle ogc office of government commerce 2007 05 30 itil was created by the uk government in the 1980s as an efficiency improving initiative this text gives an

*formation securite preparation a la certification crisc - Apr 30 2022*

web votre garantie 100 satisfaction si vous estimez que certyou n a pas su répondre à votre attente vous serez invité sur une autre session de formation notre engagement 100 satisfaction vous garantit la plus grande qualité de formation examens compris dans le tarif pour toutes nos formations certifiantes nous incluons les examens de

*preparez avec efficacite votre certification cisc book - May 12 2023*

web preparez avec efficacite votre certification cisc commerce des services sep 27 2022 guide destiné aux petites et moyennes entreprises dans les secteurs des services offre des conseils pratiques pour les aider à améliorer leurs résultats à l exportation ou à pénétrer de nouveaux marchés les sujets

**preparez avec efficacite votre certification cisc copy uniport edu - Oct 05 2022**

web preparez avec efficacite votre certification cisc is easily reached in our digital library an online access to it is set as public so you can download it instantly

*preparez avec efficacite votre certification cisc pdf yves - Dec 07 2022*

web for preparez avec efficacite votre certification cisc pdf and numerous ebook collections from fictions to scientific research in any way among them is this preparez avec efficacite votre certification cisc pdf that can be your partner le développement des compétences en afrique subsaharienne un exercice d équilibre omar arias 2020 10 08

**preparez avec efficacite votre certification cisco ccna 200 120 - Jun 13 2023**

web les 5 meilleurs livres pour russir la certification ccna telechargement de preparez avec efficacite votre apprendre l anglais en ligne cours vido formation avec cisco ieee ethernet le meilleur produit de 2020 preparez avec efficacite votre certification cisco ccna la certification professionnelle cisco global knowledge

*preparez avec efficacite votre certification cisco ccna 200 120 - Jan 28 2022*

web l certifications informatique et internet livres fr les 5 meilleurs livres pour russir la certification ccna telechargement de preparez avec efficacite votre preparez avec efficacite votre certification cisco ccna tlcharger la cabeza del dragon livre pdf gratuit pdf noform 385 rue charles perrault clon 2020

**preparez avec efficacite votre certification cisc pdf pdf roohish** - Feb 09 2023

web of preparez avec efficacite votre certification cisc pdf a literary masterpiece penned by a renowned author readers attempt a transformative journey unlocking the secrets and untapped potential embedded within each word in

**preparez avec efficacite votre certification cisc** - Aug 03 2022

web jan 30 2023 we have the funds for preparez avec efficacite votre certification cisc and numerous ebook collections from fictions to scientific research in any way in the course of them is this preparez avec efficacite votre certification cisc that can be your partner preparez avec efficacite votre certification cisc 2021 11 19 gretchen

**cics sertifikasyon sınavı hazırlık eğitimi ici turkey** - Jul 02 2022

web adayların cics sertifikasyon sınavına hazırlık sürecinde tabi oldukları konuları ve örnek sınav sorularını içerir bu eğitim grubu için eğitim tarihi 09 10 eylül 2023 sınav tarihi 07 ekim 2023 dür cics sertifikasyonuna başvuru yapmak isteyen adaylar için eğitime katılm zorunludur eğitimci dr bertan kaya İlknur

**preparez avec efficacite votre certification cisco ccna 200 120** - Mar 10 2023

web march 27th 2020 apprenez prenez et administrez un système rhev et préparez votre certification rhcva après avoir suivi la formation red hat rh124 la formation red hat rh134 rhcsa et la formation red hat entreprise linux rhce rh254 passant à la nouvelle certification rhcva avec

*préparation à la certification cissp prosica* - Jun 01 2022

web orienter ses collaborateurs vers une formation cissp c est se donner toutes les chances de mieux maîtriser les risques liés à la sécurité des systèmes d information de son organisme ou de ses clients prosica propose aux candidats une préparation intensive de 4 jours avec les objectifs suivants

*ana sayfa* - Feb 26 2022

web mar 3 2023 denetim ve gözetim işletmelerin sosyal sorumluluk konusunda artan endişeleri modern işletme yönetiminin odak noktası haline gelmiştir işletmeler çevrelerindeki grupları faaliyetlerinin ekonomik ve sosyal sonuçları

preparez avec efficacite votre certification - Jul 14 2023

web feb 21 2018 preparez avec efficacite votre certification cisco ccna 200 120 démarrez votre carrière réseau avec de solides compétences french edition by serge ntiamene french 28 july 2016 asin b01jacny4w 292 pages azw3 3 08 mb

**preparez avec efficacite votre certification cisc** - Aug 15 2023

web cet ouvrage propose une approche pragmatique pour piloter avec efficacité votre processus d audit interne selon les recommandations de la norme iso 19011 2002 comment passer de l audit de procédures à l audit de processus

*preparez avec efficacite votre certification cisco ccna 200 120* - Apr 11 2023

web jun 11 2023 preparez avec efficacite votre certification cisco ccna 200 120 démarrez votre carrière réseau avec de

solides compétences by serge ntiamene les 5 meilleurs livres pour russir la certification ccna

**poe dameron 4 wookieepedia fandom** - Jul 04 2023

web poe dameron 4 is the fourth issue of the marvel comic book series star wars poe dameron the issue released on july 6 2016 is written by charles soule with art by phil noto the next stop on poe s mission is grakkus the hutt but grakkus has been in republic prison for years you know what

star wars poe dameron 2016 t04 amazon fr - Jan 30 2023

web achetez et téléchargez ebook star wars poe dameron 2016 t04 disparition d une légende star wars poe dameron t 4 boutique kindle comics amazon fr

amazon com star wars poe dameron 2016 t04 disparition - Aug 25 2022

web apr 4 2018 buy star wars poe dameron 2016 t04 disparition d une légende star wars poe dameron t 4 french edition read kindle store reviews amazon com

**star wars poe dameron 2016 t04 overdrive** - Aug 05 2023

web apr 4 2018 l un des membres de l escadron black est mort au combat pourtant poe dameron et les autres héros de la résistance doivent poursuivre leur combat contre les forces du capitaine phasma et terex pour ne rien arranger il vont également faire face à malarus l impitoyable commandante du premier ordre

**star wars poe dameron t04 amazon com br** - Sep 25 2022

web compre online star wars poe dameron t04 de virella nick thompson robbie soule charles unzueta angel na amazon frete grátis em milhares de produtos com o amazon prime encontre diversos livros escritos por virella nick thompson robbie soule charles unzueta angel com ótimos preços

**star wars poe dameron t04 protese odontocompany** - Mar 20 2022

web star wars poe dameron t04 3 3 star wars roleplaying game marvel acclaimed new york times best selling author adam gidwitz delivers a captivating retelling of star wars the empire strikes back like you ve never experienced before infusing the iconic classic tale of good versus evil with a unique perspective and narrative style that will

**star wars poe dameron t04 amazon fr** - Nov 27 2022

web album 22 00 3 d occasion à partir de 17 11 7 neuf à partir de 22 00 un des membres de l escadron black est mort au combat mais poe dameron et les autres héros de la résistance doivent poursuivre la lutte contre le premier ordre la capitaine phasma et terex nombre de pages de l édition imprimée 168 pages

**star wars poe dameron t04 store spiralny** - Feb 16 2022

web galaxy including star wars the clone wars and star wars rebels paste magazine says you ll want to own this masterpiece it s packed full of information about key characters from luke skywalker to darth maul popular vehicles such as the

millennium falcon and all the important events that make up the star wars universe ultimate

**poe dameron wikipedia** - May 02 2023

web description in the force awakens poe is a skilled x wing fighter pilot for the resistance 13 24 the son of rebel alliance fighters he is a commander in the resistance s starfighter corps and one of leia organa s most trusted operatives who is headstrong and can fly anything 25

star wars poe dameron 2016 t04 amazon de - Oct 27 2022

web star wars poe dameron 2016 t04 disparition d une légende star wars poe dameron t 4 french edition ebook soule charles thompson robbie unzueta angel virella nik amazon de kindle shop

**poe dameron disney wiki fandom** - Jun 22 2022

web background poe dameron is the son of kes dameron and shara bey a married couple of rebel alliance fighters who fought in the battle of endor to destroy the galactic empire s second death star introduced in the 2015 marvel comics mini series star wars shattered empire kes dameron was a rebel trooper who took part in the destruction of the shield

*star wars poe dameron 2016 t04 by charles soule is* - Feb 28 2023

web l un des membres de l escadron black est mort au combat pourtant poe dameron et les autres héros de la résistance doivent poursuivre leur combat contre les forces du capitaine phasma et terex pour ne rien arranger il vont également faire face à

**star wars poe dameron tv series 2020 2021 imdb** - Jun 03 2023

web cast crew imdbpro all topics star wars poe dameron tv series 2020 2021 15m your rating rate adventure the resistance has barely escaped total destruction at the hands of the evil first order during the battle of crait their survival depended on sacrifices made by many brave heroes jedi master luke skywalker among them stars sean m d

star wars poe dameron t04 pan st war 100 albüm - Oct 07 2023

web star wars poe dameron t04 pan st war 100 charles soule robbie thompson amazon com tr kitap

**star wars poe dameron 2016 t04 disparition d une légende** - Jul 24 2022

web star wars poe dameron 2016 t04 disparition d une légende aux éditions panini l un des membres de l escadron black est mort au combat pourtant poe dameron et les autres héros de la résistance doivent poursuivre leur combat contre les for

*star wars poe dameron tome 4* - May 22 2022

web résumé un des membres de l escadron black est mort au combat mais poe dameron et les autres héros de la résistance doivent poursuivre la lutte contre le premier ordre la capitaine phasma et terex détails référence 9782809469998 dimensions 13 0 x 18 0 cm genre s science fiction Éditeur panini collection 100 star wars auteur s

poe dameron starwars com - Dec 29 2022

web poe dameron a resistance starfighter ace poe dameron is one of leia organa s most trusted operatives he can fly anything which is fortunate given how often his headstrong nature leads him into trouble poe leads the attack that destroys starkiller base but soon finds himself on the run from the first order

**star wars poe dameron t04 album illustrated 4 april 2018 amazon de** - Apr 01 2023

web apr 4 2018 hello sign in account lists returns orders shopping basket

**star wars poe dameron characters tv tropes** - Apr 20 2022

web all character tropes should go on the star wars character pages the characters from poe dameron are listed below with the character page they are currently on characters in poe dameron new republic rebel heroes c 3po leia organa the resistance

**poe dameron wookieepedia fandom** - Sep 06 2023

web zorii bliss pictured offered poe dameron the chance to overthrow her mother zeva and control the spice runners at her side poe and zorii s friendship was strained after he found out zeva was zorii s mother they finally made it to kijimi and met with the droidsmith babu frik who rebuilt ev 6b6