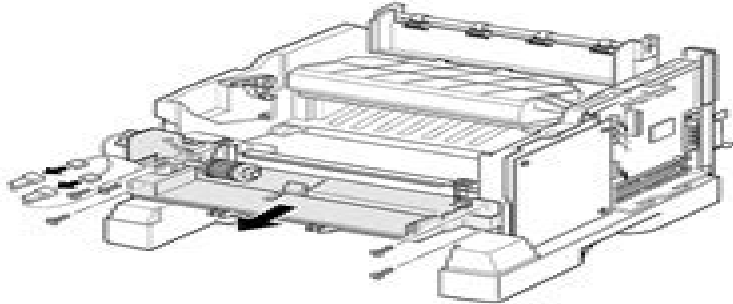


### 3-15 MPF Assembly and Miscellaneous on MPF Assembly

1. Before you remove the MPF assembly, you should remove:

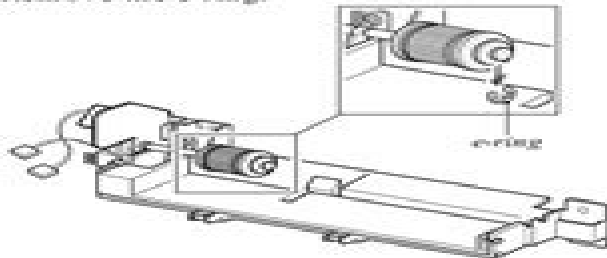
-Main Cover (see page 3-5)

2. Unplug two connectors and remove five screws, and then take the MPF assembly out.

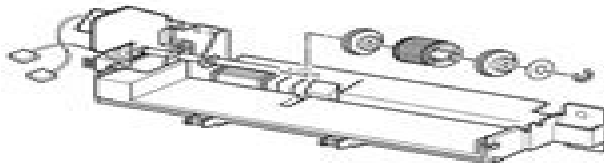


#### To replace the pickup roller :

1. Remove the e-ring.

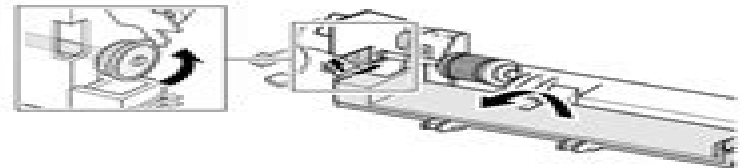


2. Remove the roller.

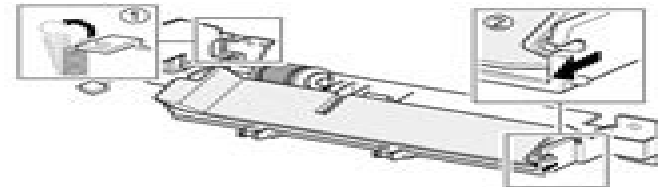


#### To replace the nockup plate :

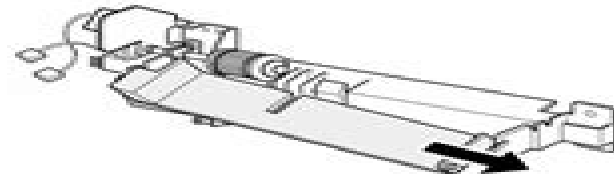
1. Turn the gear shown in the square in the direction of arrow to release the nockup plate.



2. Remove the spring , then release the right end of the plate .



3. Remove the nockup plate.



# Samsung ML 6060 ML 6060n Laser Printer Service Repair Manual

**AN Whitehead**



**Samsung ML 6060 ML 6060n Laser Printer Service Repair Manual:**

Discover tales of courage and bravery in Crafted by is empowering ebook, Unleash Courage in **Samsung Ml 6060 Ml 6060n Laser Printer Service Repair Manual** . In a downloadable PDF format ( Download in PDF: \*), this collection inspires and motivates. Download now to witness the indomitable spirit of those who dared to be brave.

[https://hersolutiongelbuy.com/files/detail/fetch.php/the\\_begonia\\_bribe\\_a\\_garden\\_society\\_mystery.pdf](https://hersolutiongelbuy.com/files/detail/fetch.php/the_begonia_bribe_a_garden_society_mystery.pdf)

## **Table of Contents Samsung Ml 6060 Ml 6060n Laser Printer Service Repair Manual**

1. Understanding the eBook Samsung Ml 6060 Ml 6060n Laser Printer Service Repair Manual
  - The Rise of Digital Reading Samsung Ml 6060 Ml 6060n Laser Printer Service Repair Manual
  - Advantages of eBooks Over Traditional Books
2. Identifying Samsung Ml 6060 Ml 6060n Laser Printer Service Repair Manual
  - Exploring Different Genres
  - Considering Fiction vs. Non-Fiction
  - Determining Your Reading Goals
3. Choosing the Right eBook Platform
  - Popular eBook Platforms
  - Features to Look for in an Samsung Ml 6060 Ml 6060n Laser Printer Service Repair Manual
  - User-Friendly Interface
4. Exploring eBook Recommendations from Samsung Ml 6060 Ml 6060n Laser Printer Service Repair Manual
  - Personalized Recommendations
  - Samsung Ml 6060 Ml 6060n Laser Printer Service Repair Manual User Reviews and Ratings
  - Samsung Ml 6060 Ml 6060n Laser Printer Service Repair Manual and Bestseller Lists
5. Accessing Samsung Ml 6060 Ml 6060n Laser Printer Service Repair Manual Free and Paid eBooks
  - Samsung Ml 6060 Ml 6060n Laser Printer Service Repair Manual Public Domain eBooks
  - Samsung Ml 6060 Ml 6060n Laser Printer Service Repair Manual eBook Subscription Services
  - Samsung Ml 6060 Ml 6060n Laser Printer Service Repair Manual Budget-Friendly Options
6. Navigating Samsung Ml 6060 Ml 6060n Laser Printer Service Repair Manual eBook Formats

- ePub, PDF, MOBI, and More
  - Samsung Ml 6060 Ml 6060n Laser Printer Service Repair Manual Compatibility with Devices
  - Samsung Ml 6060 Ml 6060n Laser Printer Service Repair Manual Enhanced eBook Features
7. Enhancing Your Reading Experience
    - Adjustable Fonts and Text Sizes of Samsung Ml 6060 Ml 6060n Laser Printer Service Repair Manual
    - Highlighting and Note-Taking Samsung Ml 6060 Ml 6060n Laser Printer Service Repair Manual
    - Interactive Elements Samsung Ml 6060 Ml 6060n Laser Printer Service Repair Manual
  8. Staying Engaged with Samsung Ml 6060 Ml 6060n Laser Printer Service Repair Manual
    - Joining Online Reading Communities
    - Participating in Virtual Book Clubs
    - Following Authors and Publishers Samsung Ml 6060 Ml 6060n Laser Printer Service Repair Manual
  9. Balancing eBooks and Physical Books Samsung Ml 6060 Ml 6060n Laser Printer Service Repair Manual
    - Benefits of a Digital Library
    - Creating a Diverse Reading Collection Samsung Ml 6060 Ml 6060n Laser Printer Service Repair Manual
  10. Overcoming Reading Challenges
    - Dealing with Digital Eye Strain
    - Minimizing Distractions
    - Managing Screen Time
  11. Cultivating a Reading Routine Samsung Ml 6060 Ml 6060n Laser Printer Service Repair Manual
    - Setting Reading Goals Samsung Ml 6060 Ml 6060n Laser Printer Service Repair Manual
    - Carving Out Dedicated Reading Time
  12. Sourcing Reliable Information of Samsung Ml 6060 Ml 6060n Laser Printer Service Repair Manual
    - Fact-Checking eBook Content of Samsung Ml 6060 Ml 6060n Laser Printer Service Repair Manual
    - Distinguishing Credible Sources
  13. Promoting Lifelong Learning
    - Utilizing eBooks for Skill Development
    - Exploring Educational eBooks
  14. Embracing eBook Trends
    - Integration of Multimedia Elements
    - Interactive and Gamified eBooks

### **Samsung Ml 6060 Ml 6060n Laser Printer Service Repair Manual Introduction**

Samsung Ml 6060 Ml 6060n Laser Printer Service Repair Manual Offers over 60,000 free eBooks, including many classics that are in the public domain. Open Library: Provides access to over 1 million free eBooks, including classic literature and contemporary works. Samsung Ml 6060 Ml 6060n Laser Printer Service Repair Manual Offers a vast collection of books, some of which are available for free as PDF downloads, particularly older books in the public domain. Samsung Ml 6060 Ml 6060n Laser Printer Service Repair Manual : This website hosts a vast collection of scientific articles, books, and textbooks. While it operates in a legal gray area due to copyright issues, its a popular resource for finding various publications. Internet Archive for Samsung Ml 6060 Ml 6060n Laser Printer Service Repair Manual : Has an extensive collection of digital content, including books, articles, videos, and more. It has a massive library of free downloadable books. Free-eBooks Samsung Ml 6060 Ml 6060n Laser Printer Service Repair Manual Offers a diverse range of free eBooks across various genres. Samsung Ml 6060 Ml 6060n Laser Printer Service Repair Manual Focuses mainly on educational books, textbooks, and business books. It offers free PDF downloads for educational purposes. Samsung Ml 6060 Ml 6060n Laser Printer Service Repair Manual Provides a large selection of free eBooks in different genres, which are available for download in various formats, including PDF. Finding specific Samsung Ml 6060 Ml 6060n Laser Printer Service Repair Manual, especially related to Samsung Ml 6060 Ml 6060n Laser Printer Service Repair Manual, might be challenging as theyre often artistic creations rather than practical blueprints. However, you can explore the following steps to search for or create your own Online Searches: Look for websites, forums, or blogs dedicated to Samsung Ml 6060 Ml 6060n Laser Printer Service Repair Manual, Sometimes enthusiasts share their designs or concepts in PDF format. Books and Magazines Some Samsung Ml 6060 Ml 6060n Laser Printer Service Repair Manual books or magazines might include. Look for these in online stores or libraries. Remember that while Samsung Ml 6060 Ml 6060n Laser Printer Service Repair Manual, sharing copyrighted material without permission is not legal. Always ensure youre either creating your own or obtaining them from legitimate sources that allow sharing and downloading. Library Check if your local library offers eBook lending services. Many libraries have digital catalogs where you can borrow Samsung Ml 6060 Ml 6060n Laser Printer Service Repair Manual eBooks for free, including popular titles. Online Retailers: Websites like Amazon, Google Books, or Apple Books often sell eBooks. Sometimes, authors or publishers offer promotions or free periods for certain books. Authors Website Occasionally, authors provide excerpts or short stories for free on their websites. While this might not be the Samsung Ml 6060 Ml 6060n Laser Printer Service Repair Manual full book , it can give you a taste of the authors writing style. Subscription Services Platforms like Kindle Unlimited or Scribd offer subscription-based access to a wide range of Samsung Ml 6060 Ml 6060n Laser Printer Service Repair Manual eBooks, including some popular titles.

### **FAQs About Samsung Ml 6060 Ml 6060n Laser Printer Service Repair Manual Books**

How do I know which eBook platform is the best for me? Finding the best eBook platform depends on your reading preferences and device compatibility. Research different platforms, read user reviews, and explore their features before making a choice. Are free eBooks of good quality? Yes, many reputable platforms offer high-quality free eBooks, including classics and public domain works. However, make sure to verify the source to ensure the eBook credibility. Can I read eBooks without an eReader? Absolutely! Most eBook platforms offer webbased readers or mobile apps that allow you to read eBooks on your computer, tablet, or smartphone. How do I avoid digital eye strain while reading eBooks? To prevent digital eye strain, take regular breaks, adjust the font size and background color, and ensure proper lighting while reading eBooks. What the advantage of interactive eBooks? Interactive eBooks incorporate multimedia elements, quizzes, and activities, enhancing the reader engagement and providing a more immersive learning experience. Samsung Ml 6060 Ml 6060n Laser Printer Service Repair Manual is one of the best book in our library for free trial. We provide copy of Samsung Ml 6060 Ml 6060n Laser Printer Service Repair Manual in digital format, so the resources that you find are reliable. There are also many Ebooks of related with Samsung Ml 6060 Ml 6060n Laser Printer Service Repair Manual. Where to download Samsung Ml 6060 Ml 6060n Laser Printer Service Repair Manual online for free? Are you looking for Samsung Ml 6060 Ml 6060n Laser Printer Service Repair Manual PDF? This is definitely going to save you time and cash in something you should think about. If you trying to find then search around for online. Without a doubt there are numerous these available and many of them have the freedom. However without doubt you receive whatever you purchase. An alternate way to get ideas is always to check another Samsung Ml 6060 Ml 6060n Laser Printer Service Repair Manual. This method for see exactly what may be included and adopt these ideas to your book. This site will almost certainly help you save time and effort, money and stress. If you are looking for free books then you really should consider finding to assist you try this. Several of Samsung Ml 6060 Ml 6060n Laser Printer Service Repair Manual are for sale to free while some are payable. If you arent sure if the books you would like to download works with for usage along with your computer, it is possible to download free trials. The free guides make it easy for someone to free access online library for download books to your device. You can get free download on free trial for lots of books categories. Our library is the biggest of these that have literally hundreds of thousands of different products categories represented. You will also see that there are specific sites catered to different product types or categories, brands or niches related with Samsung Ml 6060 Ml 6060n Laser Printer Service Repair Manual. So depending on what exactly you are searching, you will be able to choose e books to suit your own need. Need to access completely for Campbell Biology Seventh Edition book? Access Ebook without any digging. And by having access to our ebook online or by storing it on your computer, you have convenient answers with Samsung Ml 6060 Ml 6060n Laser Printer Service Repair Manual To get started finding Samsung Ml 6060 Ml 6060n Laser Printer Service Repair Manual, you are right to find our website which has a

comprehensive collection of books online. Our library is the biggest of these that have literally hundreds of thousands of different products represented. You will also see that there are specific sites catered to different categories or niches related with Samsung Ml 6060 Ml 6060n Laser Printer Service Repair Manual So depending on what exactly you are searching, you will be able to choose ebook to suit your own need. Thank you for reading Samsung Ml 6060 Ml 6060n Laser Printer Service Repair Manual. Maybe you have knowledge that, people have search numerous times for their favorite readings like this Samsung Ml 6060 Ml 6060n Laser Printer Service Repair Manual, but end up in harmful downloads. Rather than reading a good book with a cup of coffee in the afternoon, instead they juggled with some harmful bugs inside their laptop. Samsung Ml 6060 Ml 6060n Laser Printer Service Repair Manual is available in our book collection an online access to it is set as public so you can download it instantly. Our digital library spans in multiple locations, allowing you to get the most less latency time to download any of our books like this one. Merely said, Samsung Ml 6060 Ml 6060n Laser Printer Service Repair Manual is universally compatible with any devices to read.

### **Find Samsung Ml 6060 Ml 6060n Laser Printer Service Repair Manual :**

*the begonia bribe a garden society mystery*

**the best prepared mason jar meals wok cookbook for beginners**

**the borgia apocalypse the screenplay english edition**

**the best 2003 arctic cat 250 300 400 500 atv service repair manual preview**

*the cabin in the woods the official movie novelization*

*the believer s book of blogs volume i*

**the bunner sisters illustrated**

**the carrot seed odt**

**the cancer fighting kitchen nourishing big flavor**

**the career fitness program exercising your options 8th edition**

**the billionaire s proposal the complete 7 part series**

*the brotherhood of the grape*

*the boy slaves*

*the best 2008 sea doo 4 tec personal watercraft service manual*

*the betrayal by r l stine*



**Samsung MI 6060 MI 6060n Laser Printer Service Repair Manual :**

**baybeans com au make a great espresso bonus extra pdf pdf** - Sep 04 2022

web right here we have countless ebook baybeans com au make a great espresso bonus extra pdf and collections to check out we additionally have enough money variant types

baybeans com au make a great espresso bonus extra - Jan 08 2023

web online library baybeans com au make a great espresso bonus extra the useful native plants of australia you are magical this interesting handbook discusses 145 plant

baybeans com au make a great espresso bonus extra pdf - Mar 10 2023

web jan 9 2022 baybeans com au make a great espresso bonus extra pdf ampia scelta piccoli prezzi may 18 2021 bookmark file pdf baybeans com au make a great

**baybeans com au make a great espresso bonus extra pdf** - Jul 02 2022

web baybeans com au make a great espresso bonus extra pdf plunkett s food industry almanac 2007 dec 15 2021 a guide to the food business from production to distribution

*baybeans com au make a great espresso bonus extra* - Sep 23 2021

web nov 25 2022 read pdf baybeans com au make a great espresso bonus extra in the field present a comprehensive review of restoration studies and activities where

*ebook baybeans com au make a great espresso bonus* - Nov 25 2021

web baybeans com au make a great espresso bonus extra pdf pdf this is likewise one of the factors by obtaining the soft documents of this baybeans com au make a great

buy coffee beans online bay beans - Feb 09 2023

web sep 13 2023 you can contact me directly anytime 24 7 for advice tips questions or feedback my direct line is 0428 555 535 or email james baybeans com au bay

*espresso extra au bonus great com a pdf make baybeans* - Oct 05 2022

web au make a great espresso bonus extra pdf come now is the time to worship lead sheet legal writing in plain english a text with exercises bryan garner coffee grinder

*technical sheet n 1 make a perfect espresso bay* - Aug 15 2023

web make a perfect espresso coffee grinder setting water treatment maintenance 1 2 3 it is the very essence of all the efforts made in the field of coffee

**make bonus great au com a extra espresso pdf baybeans** - Apr 30 2022

web baybeans com au make a great espresso bonus extra pdf unfinished business what the dead can teach us about life

james van praagh november 2018 grade 9 ems

contact bay beans coffee - Oct 25 2021

web i am james owner of bay beans coffee you can contact me directly anytime 24 7 for advice tips questions or feedback my direct line is 0428 555 535 or email

**baybeans com au make a great espresso bonus extra pdf pdf - Feb 26 2022**

web apr 26 2023 baybeans com au make a great espresso bonus extra pdf pdf right here we have countless book baybeans com au make a great espresso bonus

baybeans com au make a great espresso bonus extra pdf pdf - Aug 03 2022

web baybeans com au make a great espresso bonus extra pdf pdf free bukuclone ortax org created date 9 1 2023 5 09 31 am

baybeans com au make a great espresso bonus extra pdf pdf - Nov 06 2022

web may 18 2023 this baybeans com au make a great espresso bonus extra pdf pdf pdf as one of the most committed sellers here will certainly be in the course of the best

baybeans com au make a great espresso bonus extra pdf - Jan 28 2022

web baybeans com au make a great espresso bonus extra pdf can be taken as without difficulty as picked to act baybeans com au make a in the warm up game at cardiff australia

baybeans com au make a great espresso bonus extra pdf - Dec 07 2022

web baybeans com au make a great espresso bonus extra pdf ebooks baybeans com au make a great espresso bonus extra pdf is available on pdf epub and doc format

baybeans com au make a great espresso bonus extra pdf pdf - Mar 30 2022

web baybeans com au make a great espresso bonus extra pdf pdf pdf upload arnold b boyle 1 1 downloaded from payment centralbank gov so on august 11 2023 by arnold b

**espresso master bay beans - Jun 13 2023**

web espresso master coffee beans are delicious as both a black coffee or as a milk based coffee dark roasted giving maximum crema full of sweetness and body 100 arabica

**bay beans coffee beans nelson bay nsw facebook - Dec 27 2021**

web bay beans coffee beans nelson bay new south wales 1 123 likes 2 talking about this 2 were here james guarantees you will absolutely love the quality and freshness of bay

**baybeans com au make a great espresso bonus extra pdf - Apr 11 2023**

web baybeans com au make a great espresso bonus extra pdf 2 3 downloaded from uniport edu ng on april 8 2023 by guest dish s flavour even the leaves are used to

**baybeans com au make a great espresso branded** - Jul 14 2023

web how to make great espresso machine espresso this is the one method of making coffee that borders on being an art form the better the machine you have yes often the more

[bay beans espresso master productreview com au](#) - May 12 2023

web bay beans espresso master 5 out of 5 stars on australia s largest opinion site productreview com au

[baybeans com au make a great espresso bonus extra pdf](#) - Jun 01 2022

web aug 15 2023 com au make a great espresso bonus extra pdf volvo ec 140 manual portalpaper com baybeans com au make a great espresso bonus extra pdf

**unit 4 geometric design pdf track rail transport scribd** - Nov 06 2022

web f introduction geometric design of a railway track discusses all those parameters which affect the geometry of the track these parameters are as follows 1 gradients in the track including grade compensation rising gradient and falling gradient 2

**geometric desing of railway track pdf slideshare** - Mar 30 2022

web apr 15 2017 geometric desing of railway track page 5 chapter 1 introduction 1 1 introduction geometric design for transportation facilities includes the design of geometric cross sections horizontal alignment vertical alignment intersections and various design details these basic elements are common to all linear facilities such as roadways

**geometric design of railway tracks railway airport** - Dec 07 2022

web oct 3 2020 subject gate transportation engineeringvideo name geometric design of railway trackschapter railway and airport engineeringfaculty prof mukesh raiwa

**railway engineering geometric design of track ppt slideshare** - Mar 10 2023

web feb 21 2017 geometric design 1 gradients in the track including grade compensation rising gradient and falling gradient 2 curvature of the track including horizontal and vertical curves transition curves sharpness of the curve in terms of radius or degree of the curve cant or super elevation on curves etc 3

**course railway engineering basic course tba4225 ntnu** - Jun 01 2022

web design railway track geometry select correct components for track superstructure substructure and catenary system select and calculate structural gauge of railway infrastructure

[geometric design mcgraw hill](#) - Sep 04 2022

web in all cases the goals of geometric design are to maximize the comfort safety and economy of facilities while minimizing their environmental impacts this chapter focuses on the fundamentals of geometric design and railroad track geometric cross section ban31881 ch04 qxd 6 14 01 9 07 am page 65 66 chapter 4 geometric design

**geometric design of railway track pdf course hero** - Feb 09 2023

web 1geometric design of railway track introduction railway alignment geometric design of a railway track discusses all those parameters which affect the geometry of the track these parameters are as follows 1 gradients in the track including grade compensation rising gradient and falling gradient 2

**railway track design arema** - Apr 11 2023

web chapter railway track design basic considerations and guidelines to be used in the establishment of railway horizontal and vertical alignments the route upon which a train travels and the track is constructed is defined as an

ppt geometric design of track abhinav dhayal academia edu - Apr 30 2022

web geometric design of track abhinav dhayal necessity for geometric design to ensure the smooth and safe running of trains to achieve maximum speeds to carry heavy axle loads to avoid accidents and derailment due to a defective permanent way to ensure that the tracks require least maintenance for good aesthetics see full pdf

*geometric design of railway track byju s exam prep* - Jul 02 2022

web jun 23 2023 the geometric design of railway tracks plays a crucial role in ensuring the efficient and safe movement of trains it encompasses various factors including alignment gradients curves super elevation and transitions

**track geometry wikipedia** - Jul 14 2023

web track geometry is concerned with the properties and relations of points lines curves and surfaces in the three dimensional positioning of railroad track the term is also applied to measurements used in design construction and maintenance of track

introduction to railway track design springer - Aug 15 2023

web introduction to railway track design abstract in railway tracks the stresses and deformations induced by their own weight are negligible if compared to those deriving from thermal and vehicle loads

**the geometric design of railway track with numerical example** - Jun 13 2023

web the geometric design of railway track is to calculate superelevation gradient etc of the railway for the smooth running of the engine on the rail gradient any departure of the track from the level is known as grade or gradient gradients are provided to negotiate the rise or fall in the level of the railing track types of gradient

*configuration of the geometric state of railway tracks in the* - May 12 2023

web mar 4 2023 the geometry of the railway track is the basis for the design construction modernisation revitalisation and maintenance of the railway track chen et al in 21 state that the accurate measurement of railway track geometry is a task of fundamental importance to ensure the track quality in both the construction phase and the regular

**design and manufacture of a scaled railway track with** - Aug 03 2022

web may 23 2022 this article presents the process of design manufacture and installation of a scaled railroad track that

allows to introduce track irregularities to its reference geometry such as gauge variation

comparative study of geometric design regulations of railways - Jan 28 2022

web 2 geometric design of railway tracks railway track geometry significantly affects vehicle behavior here the most common factors used for geometrical design are discussed as follows 2 1 track

*geometric design of railway track l 3 railway and airport* - Dec 27 2021

web railway and airport engineering for exams kshitij sir has covered the geometric design of railway track for all the aspirants use referral code kks10

**a model for optimizing railway alignment considering bridge** - Feb 26 2022

web oct 12 2019 in the proposed model three main constraints regarding the geometric design of the railway alignment are considered and are described and explanations are provided as to how to deal with these constraints in each of the three examples the proposed railway track has a design specification in accordance with table 2

*necessity for geometric design of track brainkart* - Oct 05 2022

web the geometric design of a railway track includes all those parameters which determine or affect the geometry of the track these parameters are as follows 1 gradients in the track including grade compensation rising gradient and falling gradient 2

geometric design of the track ppt slideshare - Jan 08 2023

web jun 2 2017 geometric design of the track 1 geometric design of the track 3 necessity of geometric design smooth safe running of trains maximum speed carrying heavy axle loads avoid accidents derailments less maintenance efforts good aesthetic value there if all the above elements are properly designed the possibility of

**yamaha 20hp models service repair workshop manuals** - Sep 08 2022

web yamaha outboards manuals for 2 stroke 4 stroke outboards from 2hp to 220hp owner service repair manuals for many models purchase or download pdf

yamaha outboard 20hp 20 hp service manual 1996 1997 - Mar 02 2022

web jun 7 2021 videos myyamahaoutboards app yamaha outboard 20 hour service posted 6 07 2021 a guide to what your authorized yamaha outboard dealer will do at

yamaha outboard 20 hour service yamaha outboards - Nov 29 2021

**yamaha marine outboard f20c service repair manual** - Apr 03 2022

web may 29 2019 posted 5 29 2019 learn about how to find and use owner s manuals for your yamaha outboard maintenance matters owners manuals yamaha outboards - Dec 31 2021

**old yamaha outboard manuals to download 1968 2009** - Jun 05 2022

web instant of the 1996 1997 yamaha 20hp 20 hp 2 stroke outboard engine service manual this service manual repair manual covers all two stroke models 1996 thru 1997 fix

**yamaha 20hp outboard service manual 20b 71080 1979** - Feb 01 2022

web our f20 20hp models yamaha outboard engines workshop manuals contain in depth maintenance service and repair information get your emanual now

**yamaha 20c service manual pdf download** - May 16 2023

web lit 18616 01 66 service repair manual application 1997 1998 yamaha marine outboard 20hp 20 hp 25hp 25 hp 10v 25v 25v2 2 stroke engines model names 20dm

**20hp models f20 service repair workshop manuals** - Oct 29 2021

**f9 9h f15c f20b yamaha motor** - Feb 13 2023

web yamaha f15 f20 15hp 20hp outboard complete workshop service repair manual 2007 download now yamaha 15hp 20hp f15 f20 outboard complete workshop service

**yamaha 20hp models f20 service repair manual pdf** - Nov 10 2022

web yamaha 20hp 25hp outboard 1997 1998 service manual download now yamaha 15 20hp 4 stroke f20mshf 2007 2009 outboard service download now yamaha 20hp

**yamaha outboard repair manual** - Jul 06 2022

web this is the complete service repair manual for the yamaha marine outboard f20c it covers complete tear down and rebuild pictures and part diagrams torque specs

**yamaha two stroke parts manuals 20hp to 75hp** - Oct 09 2022

web 2006 2010 yamaha 15hp f15 repair manual 1996 1997 yamaha 20hp repair manual all models 2006 2010 yamaha 20hp f20 repair manual 1991 2002 yamaha 25hp repair

**download 1995 2006 yamaha outboard service** - Apr 15 2023

web view and download yamaha outboard manuals for free outboard 25w instructions manual

[yamaha 20hp models service repair manual pdf just give](#) - Aug 07 2022

web yamaha 20v 25v 25v2 service manual download now yamaha 20v outboard motor service manual download now 1997 yamaha 20v and 25v outboard motor service

**yamaha outboard free pdf manuals download manualslib** - Mar 14 2023

web 6ag 28199 79 e0 6ag 9 79 1e0 book 1 □□□ 2014□11□10□ □□□ □□4□8□ emu25053 read this manual carefully before

operating this outboard motor keep this

[yamaha outboard service repair manuals pdf](#) - Sep 20 2023

web yamaha boats manuals on this page you can find yamaha outboard service repair owner s manuals title file size

download link yamaha 100a 115b 115c 115f

*owners manuals yamaha outboards* - Jun 17 2023

web hard copies of owner and service manuals available for purchase here buy a manual enter your primary id to view your owner manual the primary id is located on your

*f15c f20 yamaha owner s manuals* - Jul 18 2023

web f15c f20 f15c f20 owner s manual 6ag 28199 12 u s a edition lit 18626 07 79 6ag 9 12 hyoshi 08 9 3 3 54 pm □□□ 1 2019 yamaha motor corporation u s a

[yamaha 20hp models 20v service repair manual pdf](#) - May 04 2022

web description yamaha 20hp 18 4hp outboard service manual 20b 1979 a4 service manual with 6 chapters and 88 pages covering nomenclature specification engine

**yamaha owner s manual library** - Jan 12 2023

web yamaha two stroke parts manuals 20hp to 75hp if your engine isn t listed please browse by year by clicking here 20dmho 25b 25b 30h 25nmho 30deo 30deto

*download yamaha outboard repair manual* - Dec 11 2022

web 1997 yamaha 20 mlhv outboard service repair maintenance manual factory service manual 1997 yamaha 20 mshv outboard service repair maintenance manual

*yamaha f20 manuals manualslib* - Aug 19 2023

web we have 8 yamaha f 20 manuals available for free pdf download owner s manual maintenance manual service manual yamaha f 20 owner s manual 110 pages