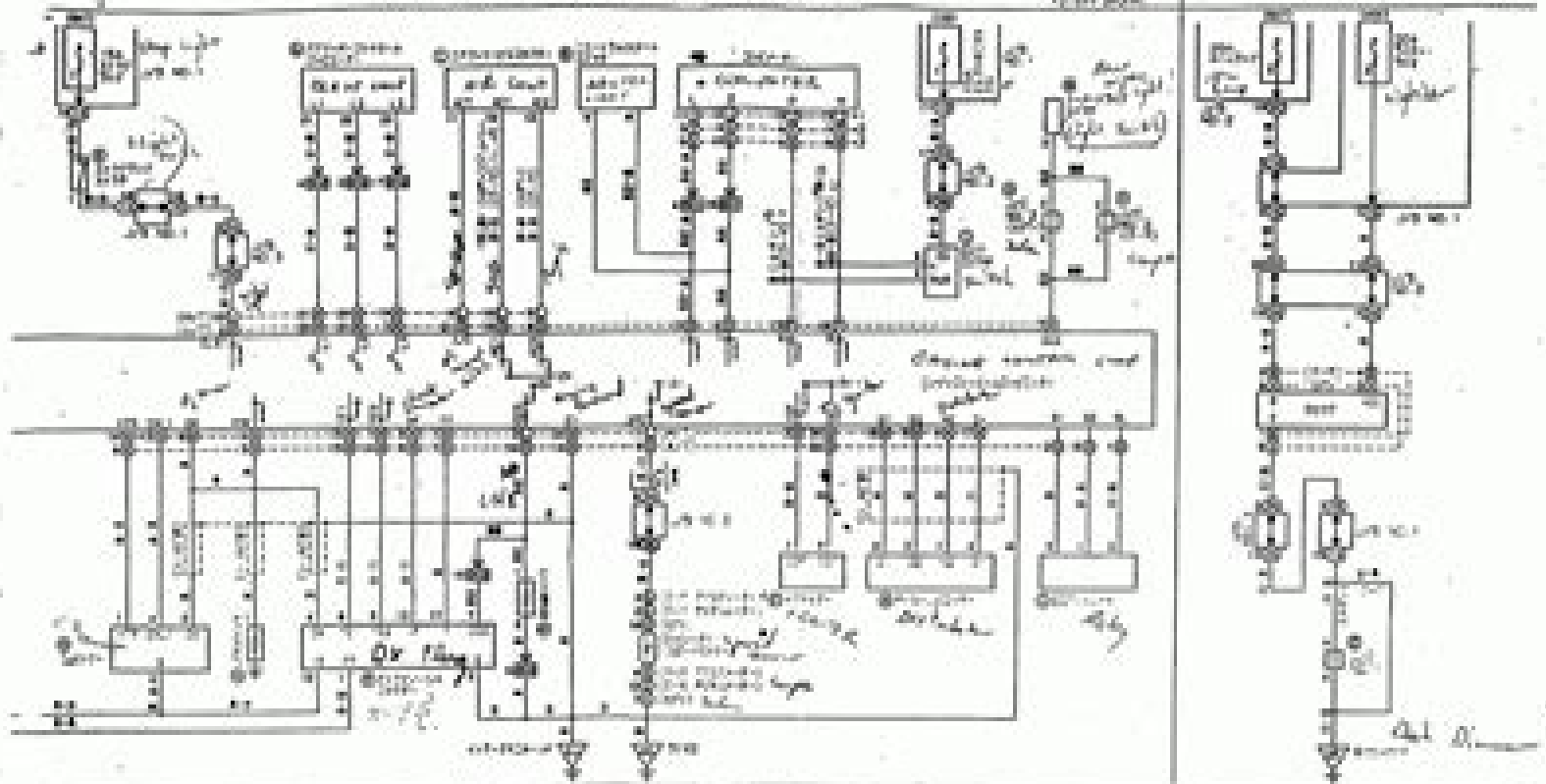
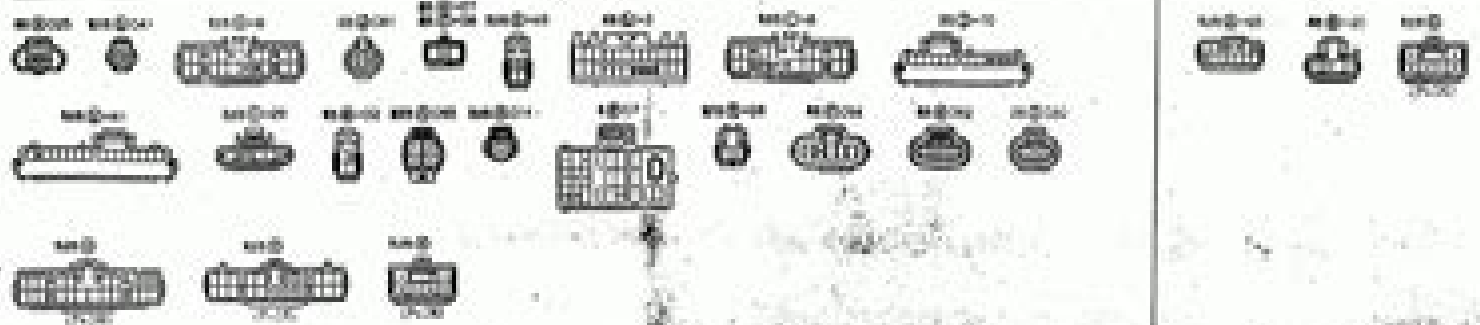


1777J/1710-F & ECT (4A-16C)

20V



1777J/1710-F



1777J/1710-F & ECT (4A-16C)

# Toyota Mr2 1989 Ecu Pin Out Diagram

**RC Schank**



**Toyota Mr2 1989 Ecu Pin Out Diagram:**

## Decoding **Toyota Mr2 1989 Ecu Pin Out Diagram**: Revealing the Captivating Potential of Verbal Expression

In a time characterized by interconnectedness and an insatiable thirst for knowledge, the captivating potential of verbal expression has emerged as a formidable force. Its capability to evoke sentiments, stimulate introspection, and incite profound transformations is genuinely awe-inspiring. Within the pages of "**Toyota Mr2 1989 Ecu Pin Out Diagram**," a mesmerizing literary creation penned with a celebrated wordsmith, readers attempt an enlightening odyssey, unraveling the intricate significance of language and its enduring affect our lives. In this appraisal, we shall explore the book is central themes, evaluate its distinctive writing style, and gauge its pervasive influence on the hearts and minds of its readership.

<https://hersolutiongelbuy.com/About/Resources/HomePages/wiring%20diagram%20radio%20pioneer.pdf>

### **Table of Contents Toyota Mr2 1989 Ecu Pin Out Diagram**

1. Understanding the eBook Toyota Mr2 1989 Ecu Pin Out Diagram
  - The Rise of Digital Reading Toyota Mr2 1989 Ecu Pin Out Diagram
  - Advantages of eBooks Over Traditional Books
2. Identifying Toyota Mr2 1989 Ecu Pin Out Diagram
  - Exploring Different Genres
  - Considering Fiction vs. Non-Fiction
  - Determining Your Reading Goals
3. Choosing the Right eBook Platform
  - Popular eBook Platforms
  - Features to Look for in an Toyota Mr2 1989 Ecu Pin Out Diagram
  - User-Friendly Interface
4. Exploring eBook Recommendations from Toyota Mr2 1989 Ecu Pin Out Diagram
  - Personalized Recommendations
  - Toyota Mr2 1989 Ecu Pin Out Diagram User Reviews and Ratings
  - Toyota Mr2 1989 Ecu Pin Out Diagram and Bestseller Lists

5. Accessing Toyota Mr2 1989 Ecu Pin Out Diagram Free and Paid eBooks
  - Toyota Mr2 1989 Ecu Pin Out Diagram Public Domain eBooks
  - Toyota Mr2 1989 Ecu Pin Out Diagram eBook Subscription Services
  - Toyota Mr2 1989 Ecu Pin Out Diagram Budget-Friendly Options
6. Navigating Toyota Mr2 1989 Ecu Pin Out Diagram eBook Formats
  - ePub, PDF, MOBI, and More
  - Toyota Mr2 1989 Ecu Pin Out Diagram Compatibility with Devices
  - Toyota Mr2 1989 Ecu Pin Out Diagram Enhanced eBook Features
7. Enhancing Your Reading Experience
  - Adjustable Fonts and Text Sizes of Toyota Mr2 1989 Ecu Pin Out Diagram
  - Highlighting and Note-Taking Toyota Mr2 1989 Ecu Pin Out Diagram
  - Interactive Elements Toyota Mr2 1989 Ecu Pin Out Diagram
8. Staying Engaged with Toyota Mr2 1989 Ecu Pin Out Diagram
  - Joining Online Reading Communities
  - Participating in Virtual Book Clubs
  - Following Authors and Publishers Toyota Mr2 1989 Ecu Pin Out Diagram
9. Balancing eBooks and Physical Books Toyota Mr2 1989 Ecu Pin Out Diagram
  - Benefits of a Digital Library
  - Creating a Diverse Reading Collection Toyota Mr2 1989 Ecu Pin Out Diagram
10. Overcoming Reading Challenges
  - Dealing with Digital Eye Strain
  - Minimizing Distractions
  - Managing Screen Time
11. Cultivating a Reading Routine Toyota Mr2 1989 Ecu Pin Out Diagram
  - Setting Reading Goals Toyota Mr2 1989 Ecu Pin Out Diagram
  - Carving Out Dedicated Reading Time
12. Sourcing Reliable Information of Toyota Mr2 1989 Ecu Pin Out Diagram
  - Fact-Checking eBook Content of Toyota Mr2 1989 Ecu Pin Out Diagram
  - Distinguishing Credible Sources
13. Promoting Lifelong Learning

- Utilizing eBooks for Skill Development
  - Exploring Educational eBooks
14. Embracing eBook Trends
- Integration of Multimedia Elements
  - Interactive and Gamified eBooks

### **Toyota Mr2 1989 Ecu Pin Out Diagram Introduction**

In this digital age, the convenience of accessing information at our fingertips has become a necessity. Whether its research papers, eBooks, or user manuals, PDF files have become the preferred format for sharing and reading documents. However, the cost associated with purchasing PDF files can sometimes be a barrier for many individuals and organizations. Thankfully, there are numerous websites and platforms that allow users to download free PDF files legally. In this article, we will explore some of the best platforms to download free PDFs. One of the most popular platforms to download free PDF files is Project Gutenberg. This online library offers over 60,000 free eBooks that are in the public domain. From classic literature to historical documents, Project Gutenberg provides a wide range of PDF files that can be downloaded and enjoyed on various devices. The website is user-friendly and allows users to search for specific titles or browse through different categories. Another reliable platform for downloading Toyota Mr2 1989 Ecu Pin Out Diagram free PDF files is Open Library. With its vast collection of over 1 million eBooks, Open Library has something for every reader. The website offers a seamless experience by providing options to borrow or download PDF files. Users simply need to create a free account to access this treasure trove of knowledge. Open Library also allows users to contribute by uploading and sharing their own PDF files, making it a collaborative platform for book enthusiasts. For those interested in academic resources, there are websites dedicated to providing free PDFs of research papers and scientific articles. One such website is Academia.edu, which allows researchers and scholars to share their work with a global audience. Users can download PDF files of research papers, theses, and dissertations covering a wide range of subjects. Academia.edu also provides a platform for discussions and networking within the academic community. When it comes to downloading Toyota Mr2 1989 Ecu Pin Out Diagram free PDF files of magazines, brochures, and catalogs, Issuu is a popular choice. This digital publishing platform hosts a vast collection of publications from around the world. Users can search for specific titles or explore various categories and genres. Issuu offers a seamless reading experience with its user-friendly interface and allows users to download PDF files for offline reading. Apart from dedicated platforms, search engines also play a crucial role in finding free PDF files. Google, for instance, has an advanced search feature that allows users to filter results by file type. By specifying the file type as "PDF," users can find websites that offer free PDF downloads on a specific topic. While downloading Toyota Mr2 1989 Ecu Pin Out Diagram free PDF files is

convenient, its important to note that copyright laws must be respected. Always ensure that the PDF files you download are legally available for free. Many authors and publishers voluntarily provide free PDF versions of their work, but its essential to be cautious and verify the authenticity of the source before downloading Toyota Mr2 1989 Ecu Pin Out Diagram. In conclusion, the internet offers numerous platforms and websites that allow users to download free PDF files legally. Whether its classic literature, research papers, or magazines, there is something for everyone. The platforms mentioned in this article, such as Project Gutenberg, Open Library, Academia.edu, and Issuu, provide access to a vast collection of PDF files. However, users should always be cautious and verify the legality of the source before downloading Toyota Mr2 1989 Ecu Pin Out Diagram any PDF files. With these platforms, the world of PDF downloads is just a click away.

### **FAQs About Toyota Mr2 1989 Ecu Pin Out Diagram Books**

How do I know which eBook platform is the best for me? Finding the best eBook platform depends on your reading preferences and device compatibility. Research different platforms, read user reviews, and explore their features before making a choice. Are free eBooks of good quality? Yes, many reputable platforms offer high-quality free eBooks, including classics and public domain works. However, make sure to verify the source to ensure the eBook credibility. Can I read eBooks without an eReader? Absolutely! Most eBook platforms offer web-based readers or mobile apps that allow you to read eBooks on your computer, tablet, or smartphone. How do I avoid digital eye strain while reading eBooks? To prevent digital eye strain, take regular breaks, adjust the font size and background color, and ensure proper lighting while reading eBooks. What the advantage of interactive eBooks? Interactive eBooks incorporate multimedia elements, quizzes, and activities, enhancing the reader engagement and providing a more immersive learning experience. Toyota Mr2 1989 Ecu Pin Out Diagram is one of the best book in our library for free trial. We provide copy of Toyota Mr2 1989 Ecu Pin Out Diagram in digital format, so the resources that you find are reliable. There are also many Ebooks of related with Toyota Mr2 1989 Ecu Pin Out Diagram. Where to download Toyota Mr2 1989 Ecu Pin Out Diagram online for free? Are you looking for Toyota Mr2 1989 Ecu Pin Out Diagram PDF? This is definitely going to save you time and cash in something you should think about.

### **Find Toyota Mr2 1989 Ecu Pin Out Diagram :**

**wiring diagram radio pioneer**

**wiring diagram suzuki intruder**

*wiring diagram infiniti g35 coupe*

*wiring diagram trane air conditioner model tve040e13f81*

**wiring diagram alternator warning light charging**

wiring diagrams for residential condenser

**wiring diagram for brush bit xp150 chipper**

**wiring diagrams article text p 2 mazda miata 1991**

~~wiring diagram for holden jackaroo~~

**wiring diagrams diagram of toyota innova 2005 model**

*wiring diagram 98 arctic cat 300*

**wiring diagram airbag mercedes w202**

*wiring diagram saab 900 1997*

wiring diagram efi 7k

**wiring diagrams for a house**

**Toyota Mr2 1989 Ecu Pin Out Diagram :**

**understanding the contemporary caribbean pdf download** - Apr 07 2022

web dec 8 2015 click on document understanding the contemporary caribbean understanding introductions to the states and regions of the contemporary world

**understanding the contemporary caribbean 2nd edition** - Feb 05 2022

web it is your completely own become old to produce an effect reviewing habit in the midst of guides you could enjoy now is understanding the contemporary caribbean 2nd

**understanding the contemporary caribbean free download** - May 20 2023

web understanding the contemporary caribbean free download borrow and streaming internet archive

**understanding the contemporary caribbean** - Jul 22 2023

web jan 1 2009 understanding the contemporary caribbean understanding introductions to the states and regions of the contemporary world 2nd edition by

understanding the contemporary caribbean 2nd edition - Mar 18 2023

web understanding the contemporary caribbean 2nd edition is written by richard s hillman thomas j d agostino editors and published by lynne Rienner publishers the

**understanding the contemporary caribbean rienner** - Aug 23 2023

web he first edition of understanding the contemporary caribbean offered cautious optimism regarding the potential for



political economic and social progress within the region

**understanding the contemporary caribbean de** - Oct 13 2022

web understanding contemporary africa 3rd edition edited by april a gordon and donald l gordon understanding the contemporary caribbean edited by richard s hillman

**understanding the contemporary caribbean 2nd edition** - Sep 24 2023

web understanding the contemporary caribbean 2nd edition richard s hillman and thomas j d agostino editors isbn 978 1 58826 663 7 27 50 isbn 978 1 62637 449

**understanding the contemporary caribbean edition 2** - Nov 14 2022

web jul 1 2009 scholars of the social sciences and humanities offer a broad view that can serve as the core text for an introductory course on the caribbean and caribbean

**understanding the contemporary caribbean 2nd edition** - Dec 03 2021

web understanding the contemporary caribbean 2nd edition author philgovseals nhcp gov ph 2022 12 29t00 00 00 00 01 subject understanding the

**understanding the contemporary caribbean 2nd edition pdf** - Jan 04 2022

web mar 18 2023 understanding the contemporary caribbean 2nd edition 1 13 downloaded from uniport edu ng on march 18 2023 by guest understanding the

*understanding the contemporary caribbean 2nd edition* - May 08 2022

web understanding the contemporary caribbean 2nd edition below indigenous resurgence in the contemporary caribbean maximilian christian forte 2006 views of

**understanding the contemporary caribbean google books** - Jan 16 2023

web richard s hillman thomas j d agostino l riener 2003 caribbean area 393 pages scholars of the social sciences and humanities offer a broad view that can serve as the

*understanding the contemporary caribbean 2nd edition* - Mar 06 2022

web kindly say the understanding the contemporary caribbean 2nd edition is universally compatible with any devices to read the modern caribbean franklin w knight 2023

*understanding the contemporary caribbean understanding* - Jun 09 2022

web contemporary art of the caribbean archipelago life history and culture since 1945 the caribbean sargasso relational undercurrents a political and economical study of the

[understanding the contemporary caribbean open library](#) - Aug 11 2022

web mar 7 2023 created by an anonymous user imported from scriblio marc record understanding the contemporary

caribbean by richard s hillman 2003 l riener

*understanding the contemporary caribbean 2nd edition* - Dec 15 2022

web jul 30 2009 rent understanding the contemporary caribbean 2nd edition 978 1588266637 today or search our site for other textbooks by richard s hillman every

understanding the contemporary caribbean 2nd edition - Nov 02 2021

web understanding the contemporary caribbean 2nd edition is written by richard s hillman thomas j d agostino editors and published by lynne riener publishers the

understanding the contemporary caribbean google books - Jun 21 2023

web understanding the contemporary caribbean understanding boulder colo understanding introductions to the states and regions of the contemporary world

understanding the contemporary caribbean pdf caribbean - Sep 12 2022

web understanding the contemporary caribbean free download as pdf file pdf text file txt or read online for free excerpted from understanding the contemporary

**understanding the contemporary caribbean google books** - Feb 17 2023

web understanding the contemporary caribbean richard s hillman thomas j d agostino l riener 2003 history 393 pages scholars of the social sciences and humanities

**understanding the contemporary caribbean 2nd edition book** - Jul 10 2022

web contemporary caribbean cultures and societies in a global context may 21 2021 caribbean responses to globalization caribbean labor and politics apr 07 2020 a

understanding the contemporary caribbean de gruyter - Apr 19 2023

web jul 1 2009 isbn 9781685856816 thoroughly updated to reflect recent events and trends this new edition of understanding the contemporary caribbean treats the full range

*nonton video model indonesia terbaru vidio* - Jan 30 2023

web oct 14 2018 model hot indonesia video item preview dewasa syarat jadi model majalah dewasa daftar model majalah hijab daftar model majalah populer daftar model

**video bokep indo viral model virly virginia terbaru sangetube** - Mar 20 2022

web feb 24 2018 indo model majalah dewasa jadul strips off her shorts tante hots widi model bugil majalah dewasa new bokep model majalah bugil model bugil majalah

□□□□□□□□□□□□ **bbc**□□□□□□□□ **bbc** - Oct 15 2021

**indonesian model photos and premium high res pictures getty** - Jul 04 2023

web browse getty images premium collection of high quality authentic indonesian model stock photos royalty free images and pictures indonesian model stock photos are

*how to have sex exposes the grim gender gap for virginity* - Sep 13 2021

foto toge sma ilmu github pages - Apr 20 2022

web nonton indonesian model casting hidden camera adelia nisa part 1 gratis lokalpride adalah situs penyedia bokep lokal indonesia terbaik

foto model cantik photomemek - Oct 27 2022

web apr 7 2021 seperti dilapor metro rabu 7 4 2021 setidaknya 11 orang model di antaranya berasal dari ukraina yang nekat berpose bugil tanpa busana di dubai

**bokep viral mesya siregar model cantik hot menggoda** - Oct 07 2023

web bokep viral mesya siregar model cantik hot menggoda video selingkuh bokep selingkuh pembantu semok disuruh nyepong bokep barat abg nyepong bokep

indonesian model casting hidden camera adelia nisa part 1 - Feb 16 2022

web rena dyana bts doodstream casting model 00 00 13 putri cinta model indo casting model 00 02 01 proses bikin foto majalah dewasa casting model 00 02 50

**free indonesian beautiful girl photos pexels** - Jun 03 2023

web download and use 200 000 indonesian beautiful girl stock photos for free thousands of new images every day completely free to use high quality videos and images from

*kategori casting model lokalpride* - Dec 17 2021

web oct 31 2023 

34 most beautiful miss indonesia girls jakarta100bars - Apr 01 2023

web may 7 2021 indosport com model majalah dewasa indonesia bernama tania ayu siregar baru saja mengunggah foto di instagram saat dirinya sedang melakukan

*viral foto bugil di balkon 11 model di dubai dideportasi* - Aug 25 2022

web nonton bokep model dewasa indonesia punya memek mulus terbaru di bokep indo dan download video bokep bokep model dewasa indonesia punya memek mulus terbaru

*foto bugil mahasiswi cantik bikin nganceng cewekgenit* - Jul 24 2022

web foto hot baby margaretha dan chant felicia kali ini saya akan berbagi foto model hot kakak dan adek dia juga artis

indonesia yang yang foto chant felicia model hot

**majalah majalah bugil jadul cari cari foto** - Jan 18 2022

web nonton streaming bokep proses photoshoot cover majalan dewasa kalau anda suka video bokep proses photoshoot cover majalan dewasa mungkin tertarik untuk

*basah kuyup potret workout model majalah dewasa tania ayu* - Feb 28 2023

web check out our list of indian hot models young indian models swimsuit models sexy models super models check all hot bikini models photos image gallery

indian hot models indian sexy model pictures indian models - Dec 29 2022

web apr 8 2022 foto model cantik photo memek april 8 2022 categories foto bokep artis model tags foto bugil foto cewek cantik foto cewek seksi foto mesum foto

*kumpulan gallery foto model toples blogger* - May 22 2022

web nonton dan download indo viral model virly virginia terbaru sangetube skandal abg mesum tiktok video bokep viral tiktok instagram twitter telagram vip terbaru

**bokep model dewasa indonesia punya memek mulus viraldong** - Jun 22 2022

web apr 5 2021 foto toge abg sma foto bokep hot seragam sma toge 35 images baru 20 gaya anak sma ini wajib kamu tiru warna jilbab kisah pijat ibu berjilbab foto dan

ekspresi sensual artis indonesia di adegan panas tahun 2022 - May 02 2023

web 12 foto ekspresi sensual artis indonesia di film dan serial tahun 2022 dari sheila marcia di scandal 2 sampai michelle ziudith dan lukman sardi dalam serial kupu malam 23

**artis model sexy 21 instabio** - Sep 25 2022

web foto bugil mahasiswi cantik bikin nganceng berikut adalah foto hot mahasiswi yang sangat cantik menantang pastinya merupakan selebgram cantik foto foto cewek ini

**bokep selebgram nonton bokep indo terbaru bokepono** - Sep 06 2023

web bokep terbaru model bugil virly virginia 04 22 bokep amvanne selebgram cantik toket gede terbaru 26 19 bokep indo meli3gp pijat plus selebgram binal amelia ns 24 31

**proses photoshoot cover majalan dewasa viraldong** - Nov 15 2021

web nov 4 2023 munro adds that this silence and lack of communication after assault is part of a larger picture that involves lack of barriers to resources for victims government

model cantik yang ngentot bareng fotografernya cewekgenit - Aug 05 2023

web model cantik yang ngentot bareng fotografernya bokep online memek genit memek terbaru download bokep bokep hot

menantang artis viral indo viral abg ngentot bikin

[model hot indonesia model majalah populer free download](#) - Nov 27 2022

web koleksi foto video bts seleb model indonesia original file tanpa watermark gambar video kualitas hd grup aktif update

**Özel güvenlik görevlisi Şişli bay aranyor iss tesis yönetim** - Apr 30 2022

web iss tesis yönetim hizmetleri a Ş Özel güvenlik görevlisi Şişli bay ilanı için başvuru süresi dolmuştur diğer Özel güvenlik görevlisi Şişli bay ilanlarını inceleyebilirsiniz veya iş ilanları sayfasından tüm iş ilanlarına ulaşabilirsiniz benzer İş İlanlarını görüntüle Özgeçmiş oluşturun

**employment nassau county ny official website** - May 12 2023

web the nassau county civil service commission ensures county taxpayers of a public workforce qualified for their jobs pursuant to the principles of selection according to merit and fitness information about available positions and an application to take the civil service examination is available

[Ösym sınav görevli ücretleri ne kadar 2022 yks tyt ayt](#) - Feb 26 2022

web jun 17 2022 Ösym sınav görevli ücretleri ne kadar adaylara yks nin ilk oturumu tyt de 165 dakika ikinci oturum olan ayt de 180 dakika üçüncü oturum ytd de ise 120 dakika süre verilecek 18 19 haziran da gerçekleştirilecek yks sınavında yüz

[civil service exams town of oyster bay 2023](#) - Aug 03 2022

web feb 28 2023 complete not discover the broadcast civil service exams town of oyster bay that you are looking for it will unconditionally squander the time however below considering you visit this web page it will be as a result very simple to get as skillfully as download guide civil service exams town of oyster bay

*civil service exams nassau county ny official website* - Jul 14 2023

web civil service exams personnel chosen for merit and fitness without regard to race religion sex age national origin disability marital status or any other non merit factor this posting provides a list of upcoming open competitive examinations

**examination announcements hempstead town ny** - Feb 09 2023

web sep 11 2023 exam date exam number exam title application deadline study guide october 21 2023 63 384 assistant director of reproduction services pdf september 11 2023 no october 21 2023 60 401 office services assistant pdf september 11 2023 no october 7 2023 63 758 bay constable trainee pdf august 14 2023 no

**human resources town of oyster bay** - Aug 15 2023

web personnel division the personnel division maintains the records of all past and present town employees and serves as liaison to the nassau county civil service commission as well as processing and administering applications for town employment both full and part time in accordance with civil service rules and regulations

[civil service exam jobs in town of oyster bay ny indeed](#) - Jun 13 2023

web 393 civil service exam jobs available in town of oyster bay ny on indeed com apply to case manager capacity manager technician and more

*civil service job search civil service jobs gov uk* - Nov 06 2022

web you can check and update your preferences using the cookies link at the bottom of all civil service jobs pages gov uk civil service jobs beta your feedback will help us to enter job title skill or keywords where enter a postcode town or region advanced search discover careers within the civil service support links help terms

istanbul university yÖs international student exam - Dec 27 2021

web İÜyÖs 2021 final application dates and application fee payment period 10 may 2021 monday 10 june 2021 thursday 5 00 pm 17 00 local time in turkey İÜyÖs 2021 exam date 10 july 2021 sunday 3 00 pm 15 00 according to the local time of turkey announcement of the exam questions 12 july 2021 monday

**civil service jobs employment in oyster bay ny indeed com** - Apr 11 2023

web 12 973 civil service jobs available in oyster bay ny on indeed com apply to assistant director family support navigator peer referee and more

**civilserviceexamstowntofoysterbay 2022 academy robotistan** - Mar 10 2023

web town of oyster bay civil service exams town of oyster bay in this age of modern era the use of internet must

civil service exams town of oyster bay copy uniport edu - Jan 08 2023

web install the civil service exams town of oyster bay it is definitely simple then before currently we extend the connect to buy and create bargains to download and install civil service exams town of oyster bay as a result simple

*oyster bay town* - Dec 07 2022

web oyster bay town

**civil service exams town of oyster bay uniport edu** - Jun 01 2022

web jun 15 2023 civil service exams town of oyster bay below national public employment reporter 1979 bulletin to the schools 1955 reports of cases decided in the court of appeals of the state of new york 1935 examination of the civil service and inquiry as to certain discharges at the south omaha bureau of animal industry 1898

**civil service exams town of oyster bay** - Sep 04 2022

web civil service exams town of oyster bay civil service exams town of oyster bay 3 downloaded from old restorativejustice org on 2022 07 25 by guest guide to the presidency michael nelson 2015 05 01 the guide to the presidency is an extensive study of the most important office of the u s political system

İstanbul Üniversitesi yÖs uluslararası Öğrenci sınavı - Mar 30 2022

web duyurular 12 10 2020 kabul mektupları yayınlandı 18 09 2020 sınav sonuçlarına İtiraz süreci başlamıştır 15 09 2020

afrika Ülkeleri endonezya kontenjanlarına diploma notu ile başvuru duyurusu 07 09 2020 İÜyÖs 2020 sınav soru ve cevapları yayınlanmıştır 07 09 2020 İÜyÖs 2020 sınav soruları için İtiraz tarihleri

**İstanbul osym gov tr** - Jan 28 2022

web 342138 İstanbul İmam hatip lisesi 344414 İstanbul İnŞaat anadolu meslek lisesi 344836 İstanbul İnŞaat anadolu teknik lisesi 341863 İstanbul İnŞaat teknik lisesi 343515

**civil service exams town of oyster bay** - Jul 02 2022

web aug 11 2023 civil service exams town of oyster bay in this age of modern era the use of internet must be maximized  
civil service jobs employment in west babylon ny april 29th 2018 255 civil service jobs available in west babylon ny on indeed  
com administrative assistant department secretary youth specialist

civil service exams town of oyster bay uniport edu - Oct 05 2022

web may 28 2023 civil service exams town of oyster bay 1 4 downloaded from uniport edu ng on may 28 2023 by guest civil  
service exams town of oyster bay this is likewise one of the factors by obtaining the soft documents of this civil service exams  
town of oyster bay by online you might not require more