

LAND CRUISER / LAND CRUISER

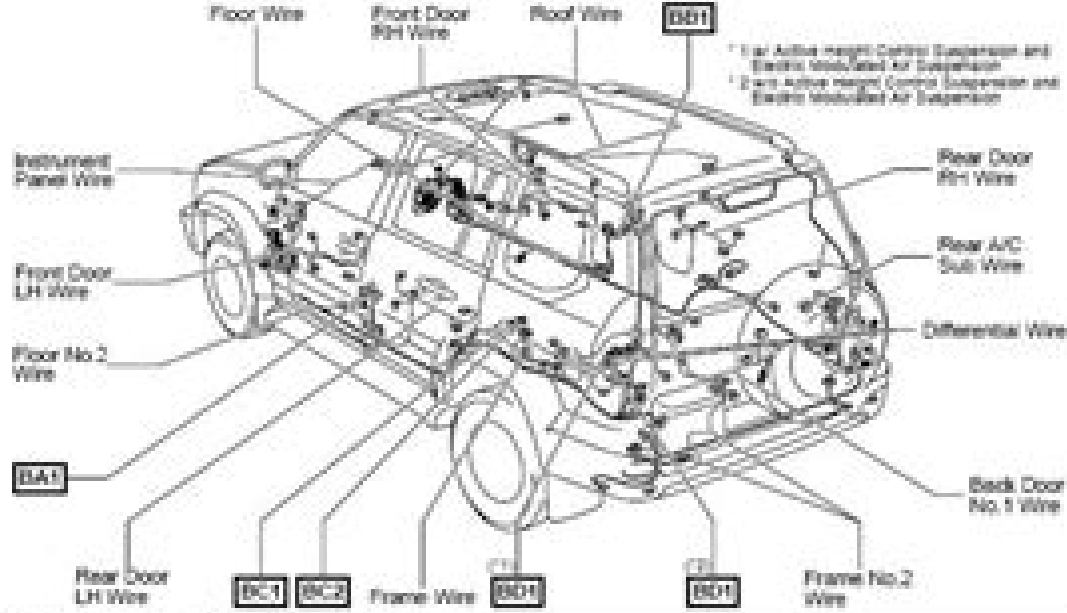
- ▶ New Car Features
- ▶ New Car Features (2003.1 -)
- ▶ New Car Features (2004.8 -)
- ▶ Repair Manual
- ▶ Engine Repair Manual [1GR-FE]
- ▶ Engine Repair Manual [3RZ-FE]
- ▶ Engine Repair Manual [2TR-FE]
- ▶ Engine Repair Manual [1KZ-TE]
- ▶ Engine Repair Manual [1KD-FTV] (- 2004
- ▶ Engine Repair Manual [1KD-FTV] (2004.8
- ▶ Engine Repair Manual [5L-E]
- ▶ MT Repair Manual [G52]
- ▶ MT Repair Manual [W56]
- ▶ MT Repair Manual [R150F]
- ▶ MT Repair Manual [R461F]
- ▶ A/T Repair Manual [A343F]
- ▶ A/T Repair Manual [A750F]
- ▶ **Electrical Wiring Diagram**
- INTRODUCTION
- HOW TO USE THIS MANUAL
- TROUBLESHOOTING
- ABBREVIATIONS
- GLOSSARY OF TERMS AND SYMBOLS
- RELAY LOCATIONS
- ELECTRICAL WIRING ROUTING (Parts)
- ELECTRICAL WIRING ROUTING (W/W, G/P, S/P)
 - ▶ LHD-Engine Compartment
 - ▶ LHD-Instrument Panel
 - 2002.9 - 2004.7
 - 2004.8 -
 - ▶ LHD-Body
 - ▶ RHD-Engine Compartment
 - ▶ RHD-Instrument Panel
 - ▶ RHD-Body
 - 5-Door (2002.9 - 2004.7)
 - 5-Door (2004.8 -)
 - 3-Door (2002.9 - 2004.7)
 - 3-Door (2004.8 -)
- SYSTEM CIRCUITS (2002.9 -)
- Ground Points (2002.9 -)

Navigation icons: Print, Save, Home, Back, Forward, 1 / 1, Refresh, 60%, Find

E ELECTRICAL WIRING ROUTING

□ : Location of Connector Joining Wire Harness and Wire Harness

[RHD : 5-Door]



* 1 for Active Height Control Suspension and Electric Includable Air Suspension
 * 2 for Active Height Control Suspension and Electric Includable Air Suspension

▽ : Location of Ground Points



Toyota Prado D4d 2015 Manual

D Keegan



Toyota Prado D4d 2015 Manual:

Unveiling the Power of Verbal Artistry: An Emotional Sojourn through **Toyota Prado D4d 2015 Manual**

In a global inundated with monitors and the cacophony of immediate conversation, the profound energy and mental resonance of verbal art often fade in to obscurity, eclipsed by the regular assault of sound and distractions. Yet, set within the lyrical pages of **Toyota Prado D4d 2015 Manual**, a charming function of fictional elegance that impulses with organic emotions, lies an unique journey waiting to be embarked upon. Composed by a virtuoso wordsmith, this exciting opus guides viewers on an emotional odyssey, softly revealing the latent possible and profound impact stuck within the complicated internet of language. Within the heart-wrenching expanse of this evocative examination, we will embark upon an introspective exploration of the book is central subjects, dissect its interesting publishing model, and immerse ourselves in the indelible impact it leaves upon the depths of readers souls.

https://hersolutiongelbuy.com/public/scholarship/Download_PDFS/Network_Guide_To_Networks_6th_Ed_Cengagebrain_Com.pdf

Table of Contents Toyota Prado D4d 2015 Manual

1. Understanding the eBook Toyota Prado D4d 2015 Manual
 - The Rise of Digital Reading Toyota Prado D4d 2015 Manual
 - Advantages of eBooks Over Traditional Books
2. Identifying Toyota Prado D4d 2015 Manual
 - Exploring Different Genres
 - Considering Fiction vs. Non-Fiction
 - Determining Your Reading Goals
3. Choosing the Right eBook Platform
 - Popular eBook Platforms
 - Features to Look for in an Toyota Prado D4d 2015 Manual
 - User-Friendly Interface
4. Exploring eBook Recommendations from Toyota Prado D4d 2015 Manual

- Personalized Recommendations
 - Toyota Prado D4d 2015 Manual User Reviews and Ratings
 - Toyota Prado D4d 2015 Manual and Bestseller Lists
5. Accessing Toyota Prado D4d 2015 Manual Free and Paid eBooks
 - Toyota Prado D4d 2015 Manual Public Domain eBooks
 - Toyota Prado D4d 2015 Manual eBook Subscription Services
 - Toyota Prado D4d 2015 Manual Budget-Friendly Options
 6. Navigating Toyota Prado D4d 2015 Manual eBook Formats
 - ePub, PDF, MOBI, and More
 - Toyota Prado D4d 2015 Manual Compatibility with Devices
 - Toyota Prado D4d 2015 Manual Enhanced eBook Features
 7. Enhancing Your Reading Experience
 - Adjustable Fonts and Text Sizes of Toyota Prado D4d 2015 Manual
 - Highlighting and Note-Taking Toyota Prado D4d 2015 Manual
 - Interactive Elements Toyota Prado D4d 2015 Manual
 8. Staying Engaged with Toyota Prado D4d 2015 Manual
 - Joining Online Reading Communities
 - Participating in Virtual Book Clubs
 - Following Authors and Publishers Toyota Prado D4d 2015 Manual
 9. Balancing eBooks and Physical Books Toyota Prado D4d 2015 Manual
 - Benefits of a Digital Library
 - Creating a Diverse Reading Collection Toyota Prado D4d 2015 Manual
 10. Overcoming Reading Challenges
 - Dealing with Digital Eye Strain
 - Minimizing Distractions
 - Managing Screen Time
 11. Cultivating a Reading Routine Toyota Prado D4d 2015 Manual
 - Setting Reading Goals Toyota Prado D4d 2015 Manual
 - Carving Out Dedicated Reading Time
 12. Sourcing Reliable Information of Toyota Prado D4d 2015 Manual

- Fact-Checking eBook Content of Toyota Prado D4d 2015 Manual
 - Distinguishing Credible Sources
13. Promoting Lifelong Learning
- Utilizing eBooks for Skill Development
 - Exploring Educational eBooks
14. Embracing eBook Trends
- Integration of Multimedia Elements
 - Interactive and Gamified eBooks

Toyota Prado D4d 2015 Manual Introduction

In the digital age, access to information has become easier than ever before. The ability to download Toyota Prado D4d 2015 Manual has revolutionized the way we consume written content. Whether you are a student looking for course material, an avid reader searching for your next favorite book, or a professional seeking research papers, the option to download Toyota Prado D4d 2015 Manual has opened up a world of possibilities. Downloading Toyota Prado D4d 2015 Manual provides numerous advantages over physical copies of books and documents. Firstly, it is incredibly convenient. Gone are the days of carrying around heavy textbooks or bulky folders filled with papers. With the click of a button, you can gain immediate access to valuable resources on any device. This convenience allows for efficient studying, researching, and reading on the go. Moreover, the cost-effective nature of downloading Toyota Prado D4d 2015 Manual has democratized knowledge. Traditional books and academic journals can be expensive, making it difficult for individuals with limited financial resources to access information. By offering free PDF downloads, publishers and authors are enabling a wider audience to benefit from their work. This inclusivity promotes equal opportunities for learning and personal growth. There are numerous websites and platforms where individuals can download Toyota Prado D4d 2015 Manual. These websites range from academic databases offering research papers and journals to online libraries with an expansive collection of books from various genres. Many authors and publishers also upload their work to specific websites, granting readers access to their content without any charge. These platforms not only provide access to existing literature but also serve as an excellent platform for undiscovered authors to share their work with the world. However, it is essential to be cautious while downloading Toyota Prado D4d 2015 Manual. Some websites may offer pirated or illegally obtained copies of copyrighted material. Engaging in such activities not only violates copyright laws but also undermines the efforts of authors, publishers, and researchers. To ensure ethical downloading, it is advisable to utilize reputable websites that prioritize the legal distribution of content. When downloading Toyota Prado D4d 2015 Manual, users should also consider the potential security risks associated with online

platforms. Malicious actors may exploit vulnerabilities in unprotected websites to distribute malware or steal personal information. To protect themselves, individuals should ensure their devices have reliable antivirus software installed and validate the legitimacy of the websites they are downloading from. In conclusion, the ability to download Toyota Prado D4d 2015 Manual has transformed the way we access information. With the convenience, cost-effectiveness, and accessibility it offers, free PDF downloads have become a popular choice for students, researchers, and book lovers worldwide. However, it is crucial to engage in ethical downloading practices and prioritize personal security when utilizing online platforms. By doing so, individuals can make the most of the vast array of free PDF resources available and embark on a journey of continuous learning and intellectual growth.

FAQs About Toyota Prado D4d 2015 Manual Books

How do I know which eBook platform is the best for me? Finding the best eBook platform depends on your reading preferences and device compatibility. Research different platforms, read user reviews, and explore their features before making a choice. Are free eBooks of good quality? Yes, many reputable platforms offer high-quality free eBooks, including classics and public domain works. However, make sure to verify the source to ensure the eBook credibility. Can I read eBooks without an eReader? Absolutely! Most eBook platforms offer webbased readers or mobile apps that allow you to read eBooks on your computer, tablet, or smartphone. How do I avoid digital eye strain while reading eBooks? To prevent digital eye strain, take regular breaks, adjust the font size and background color, and ensure proper lighting while reading eBooks. What the advantage of interactive eBooks? Interactive eBooks incorporate multimedia elements, quizzes, and activities, enhancing the reader engagement and providing a more immersive learning experience. Toyota Prado D4d 2015 Manual is one of the best book in our library for free trial. We provide copy of Toyota Prado D4d 2015 Manual in digital format, so the resources that you find are reliable. There are also many Ebooks of related with Toyota Prado D4d 2015 Manual. Where to download Toyota Prado D4d 2015 Manual online for free? Are you looking for Toyota Prado D4d 2015 Manual PDF? This is definitely going to save you time and cash in something you should think about. If you trying to find then search around for online. Without a doubt there are numerous these available and many of them have the freedom. However without doubt you receive whatever you purchase. An alternate way to get ideas is always to check another Toyota Prado D4d 2015 Manual. This method for see exactly what may be included and adopt these ideas to your book. This site will almost certainly help you save time and effort, money and stress. If you are looking for free books then you really should consider finding to assist you try this. Several of Toyota Prado D4d 2015 Manual are for sale to free while some are payable. If you arent sure if the books you would like to download works with for usage along with your computer, it is possible to download free trials. The free

guides make it easy for someone to free access online library for download books to your device. You can get free download on free trial for lots of books categories. Our library is the biggest of these that have literally hundreds of thousands of different products categories represented. You will also see that there are specific sites catered to different product types or categories, brands or niches related with Toyota Prado D4d 2015 Manual. So depending on what exactly you are searching, you will be able to choose e books to suit your own need. Need to access completely for Campbell Biology Seventh Edition book? Access Ebook without any digging. And by having access to our ebook online or by storing it on your computer, you have convenient answers with Toyota Prado D4d 2015 Manual To get started finding Toyota Prado D4d 2015 Manual, you are right to find our website which has a comprehensive collection of books online. Our library is the biggest of these that have literally hundreds of thousands of different products represented. You will also see that there are specific sites catered to different categories or niches related with Toyota Prado D4d 2015 Manual So depending on what exactly you are searching, you will be able to choose ebook to suit your own need. Thank you for reading Toyota Prado D4d 2015 Manual. Maybe you have knowledge that, people have search numerous times for their favorite readings like this Toyota Prado D4d 2015 Manual, but end up in harmful downloads. Rather than reading a good book with a cup of coffee in the afternoon, instead they juggled with some harmful bugs inside their laptop. Toyota Prado D4d 2015 Manual is available in our book collection an online access to it is set as public so you can download it instantly. Our digital library spans in multiple locations, allowing you to get the most less latency time to download any of our books like this one. Merely said, Toyota Prado D4d 2015 Manual is universally compatible with any devices to read.

Find Toyota Prado D4d 2015 Manual :

[network guide to networks 6th ed cengagebrain com](#)

neon genesis evangelion guide

neehr perfect student user guide

nervous system study guide answers section 37

[net exam papers for life science](#)

[nec vt37 manual](#)

netgear wndr3700 manual

[neptune apex guide](#)

nelson calculus and vectors 1chapter solutions manual

[need owners manual for coby tfdvd7008](#)

needs document example

necchi royal series sewing machine owners manual

network design cookbook architecting cisco networks

nero 8 essentials manual

~~netcare application forms for 2015 nursing~~

Toyota Prado D4d 2015 Manual :

sort xray test plan by using a custom key field atlassian - Jan 02 2022

web nov 23 2023 *sort xray test plan by using a custom key field pop camil i m new here nov 23 2023 hi everyone i have a test database where every test has a unique key alphanumeric and all the tests have to be run in a specific order i m trying to create a test plan in xray that has the same structure and has a visible field displaying that key*

primary test papers singapore in year 2021 - Sep 29 2021

web test papers in year 2021 show testpapers from choose level choose subject choose type choose school sponsored links title p5 tamil 2021 sa2 anonymous 5 p5 tamil 2021 sa2 anonymous 34 p5 tamil 2021 sa2 anonymous 3 p5

new us stealth nuclear bomber starts flight tests in key - Dec 01 2021

web nov 10 2023 *2 07 the us s newest stealth bomber northrop grumman corp s b 21 raider conducted its first test flight a key milestone in the 203 billion program that s meant to stay well ahead of*

answer key progress tests a unit 3 pdf scribd - Feb 15 2023

web answer key progress tests a unit 3 writing grammar 7 1 content maximum 4 points 1 he s been coughing 1 point for content of each 2 i ve been trying paragraph 3c 4c form maximum 2 points 5 he s learned a lot 2 points for good sentence 6c structure and paragraphing 7c 1 point for reasonable structure 8 we ve known range maximum 2

progress test answer keys a unit 1 grammar pdf scribd - Apr 17 2023

web sol3e adv progress test answer keys a read online for free solutions thir edition advanced progress test a answer key *progress test answers studfiles* - Mar 04 2022

web progress test 1 play grammar 1 present simple and progressive past simple 1 1 s playing 2 moved 3 takes 4 learned 5 m staying 2 present simple and progressive past simple 2 1 did 2 didn t 3 does 4 do 5 don t 3 present simple and progressive past simple 3 1 is doing 2 i m i am watching 3 are enjoying 4 are wearing vocabulary

progress test answers pdf document - Feb 03 2022

web oct 14 2014 *progress test 1 media around the worldgrammar1 talking about the present1 have you read i don t read2 do you want i m cooking3 are you watching i ve seen4 i haven t seen she s working5 do you listen i listen vocabulary2 habits and preferences1 hardly 2 prefer 3 used 4 fan 5 rather*

sol adv progresstest 3a key answer key progress tests a - Dec 13 2022

web view notes sol adv progresstest 3a key from gram 302 at university of the punjab answer key progress tests a unit 3 grammar 1 1 hes been coughing 2 ive been trying 3c 4c 5 hes learned a

answer key progress tests download only - Jul 20 2023

web answer key progress tests effective reading tests scoring key progress test level 4 mar 16 2022 key stage 3 assessment in science jan 31 2021 the end of year 7 test helps teachers to assess progress made by students in science throughout the year it includes a mix of multiple choice and structured questions

sol3e uppint progress test answer keys a studocu - Apr 05 2022

web progress test answer keys a unit 1 grammar 1 1 hadn t known 2 had been staying 3 hadn t had 4 had been filming 5 hadn t wanted 6 had shown 2 1 had won 2 had been working 3 hadn t given 4 had made 5 had been studying 6 hadn t been enjoying 7 had begun 8 had become 3 1 i used to watch lots of horror movies when i was in my early teens

answer key progress tests a unit 10 pdf scribd - Jun 19 2023

web of 1 answer key progress tests a unit 10 reading 8 grammar 1t 2f 3f 4f 5t 1 1 shown writing 2 wanted 9 3 opening content maximum 4 points 4 arriving 1 mark for each point 1 mark for 5 sitting general content 6 sent ½ a mark if part of a point is 7 using included but not developed 8 bought form maximum 2 points 2 2 marks for correct

unit progress test standard answer key - Jul 08 2022

web 2 progress test standard answer key vocabulary exercise 1 1 has sung 1 2 have learned 3 has designed 3 4 has swum 4 5 has caught 6 have climbed 7 have built exercise 2 1 5baked 2 done students own answers listening exercise 13 c 2 d a b 5 e exercise 14 1 nervous 2 the teacher 3 interesting 4 friends 5 computer programs 6 father 7 built

2021 secondary exam papers - Mar 16 2023

web nov 22 2023 best collection of free downloadable 2008 to 2023 test papers ca1 sa1 ca2 sa2 from top schools in singapore some of the top school exam papers that you will be getting includes ai tong all latest test papers ca1 sa1 ca2 sa2 come with answers sheet secondary prelim papers 2021 sec 1 maths

sol2e int progress test a aks progress tests a answer keys - Oct 11 2022

web progress tests a answer keys use of english 7 1 elegant 2 are wearing 3 to be 4 to choose 5 old fashioned 6 unconventional 7 showing off 8 to fit 9 is reacting 10 stylish listening 8 1 f 2 c 3 b 4 d 5 a transcript 1 cctv cameras are a small price to pay if you want to reduce crime i don t mind sacrificing a bit of privacy for a safer life what

progress tests answer key pdf pdf scribd - May 18 2023

web progress tests answer key allow approximately 4560 minutes for each test 3 depending on the level of your students 1 if when 2 by 3 are 4 little 5 will can may 6 out off 7 going 8 drinking having note you might like to have students do progress 9

make 10 at test 1 when they have completed unit 4 progress

oet b1 progress tests answer key pdf scribd - Jun 07 2022

web oet b1 progress tests answer key free download as word doc doc docx pdf file pdf text file txt or read online for free

203 9 complete advanced progress tests with keys 2014 56p - Sep 22 2023

web unit 7 progress test answer key version a progress 9 answer key kkk ket test 2 test de examenes cambridge b2 use of english part 3 first 101 word transformation sentences by keep smiling english

brainy klasa 6 progress tests answer key - Jan 14 2023

web progress tests answer key 1 progress test 1 4 a 1 1 oldest 2 walk 3 birds 4 restaurant 5 ticket 2 1 heater 2 sink 3 beaver 4 rug 3 1 pay 2 endangered 3 fall 4 tap 4 1c 2e 3b 5 1a 2b 3a 6 1 to get 2 as friendly 3 studying 4 the most exciting 5 them 6 hers 7

progress test answer keys a unit 1 grammar pdf scribd - Aug 21 2023

web progress test answer keys a 1 miserable 2 stay out 3 schoolwork unit 1 4 5 freedom grateful 6 irritating grammar 7 put up with 1 8 run out of 1 was raining 9 calm 2 hadn t been 3 used to speak use of english 4 were studying 6 5 use to play 1 in my experience 6 had passed 2 i agree 7 wasn t copying 3 you shouldn t worry 8 had inherited

answer key progress tests a unit 8 pdf scribd - Oct 23 2023

web sol elem progresstest 8a key doc free download as word doc doc pdf file pdf text file txt or read online for free

mafiadoc com answer key progress tests a - May 06 2022

web answer key progress tests a unit 1 listening 6 grammar 1 on holiday 1 2 at a celebration 1 don t usually go 3 at home 2 is following 4 in a studio 3 does your exam finish 5 at a concert 4 are you watching 5 are you going out reading 6 eat 8 7 are you wearing 1c 2b 3c 4c 5a 8 doesn t open writing 2 9 1 think content maximum 4 points 2

weekly news quiz november 16 2023 cnn - Oct 31 2021

web nov 17 2023 weekly news quiz november 16 2023 a massive protest a freeway fire a cultural festival

pdf answer key to progress tests version a progress test - Sep 10 2022

web answer key to progress tests version a progress test 11 1 went on 2 clear up 3 do up 4 worn out tired out 2 1 critical 2 concerned 3 enthusiastic 4 impolite 5 mature responsible 6 disorganised 7 reasonable 8 irresponsible

unit 8 progress test answer key version a pdf course hero - Nov 12 2022

web unit 8 progress test answer key version a pdf cambridge english empower c1 unit progress test 8 answer key please keep this answer key secure and course hero

pdf progress test answers pdfslide net - Aug 29 2021

web progress tests x x answer key 1 progress test answer keys progress test 1 media around the world grammar 1 talking

about the present1 have you read i don t read2 do you want i m cooking3 are you watching i ve seen4 i haven t seen she s working5 do

tests answer key test generator launcher - Aug 09 2022

web tests answer key language hub pper intermediate tests published by macmillan education a division of springer nature limited springer nature limited 2019 this page may be photocopied and used within the class c 1 of 2 of 3 about 4 of 5 towards d 1 the staff had a party when the boss was on holiday while the dog s cat s away 2 3

capm exam prep 150 free practice test questions simplilearn - Jun 17 2023

are you preparing for capm exam then try this free capm exam prep practice test which includes the most commonly asked exam questions and simulates the actual certification exam try it now

40 free capm practice exam questions pass on your 1st try - Sep 20 2023

jul 25 2023 our practice tests are designed to help you test your preparedness for the actual certification exams and provide you with an authentic exam experience we offer a wide range of practice tests including multiple choice drag and drop and hotspot questions

capm certification 2023 practice exams with 1000 sample questions - Jul 18 2023

aug 13 2023 realistic unique and challenging practice questions for capm certification we are thrilled to announce the release of a comprehensive set of 8 practice exams for the capm certification 2023 edition featuring a total of 1000 realistic unique and challenging sample questions

capm flashcards with capm practice questions - Mar 02 2022

sep 27 2023 capm exam flashcards study system when you order the capm exam flashcards study system you ll get our set of flashcards specially selected to give you the most capm test performance improvement for the least time this is just a partial list of the topics you can find in our cards capm exam topics

capm exam flashcard study system capm test practice questions - Aug 19 2023

feb 14 2013 capm exam flashcard study system capm test practice questions review for the certified associate in project management exam cards capm exam secrets test prep team on amazon com free shipping on qualifying offers

capm 2023 practice masterclass the ultimate capm mock tests - Feb 13 2023

course details 600 practice questions intricately designed offering rich and detailed answer explanations for each all grounded in the new exam system 4 full length capm simulations aligned with the pmi examination content outline eco allowing a real time exam experience and promoting a deeper understanding of the capm 2023 curriculum

practice exam for capm certification coursera - Dec 11 2022

in this module you will begin preparation for the capm certified associate in project management exam this includes

descriptions of the domains tested an overview of the question types on the exam a review of testing strategies and additional study tips

2023 free capm questions and answers assess your readiness - May 04 2022

dec 23 2022 capm certification exam questions and answers 1 a manager and the head of engineering discuss a change to a major work package after the meeting the manager contacts you and tells you to complete the paperwork to make the change this is an example of a management attention to scope management b management planning

2023 capm mock practice tests udey - Jan 12 2023

description these capm mock tests are fully aligned with the new july 2023 certified associate in project management capm exam syllabus and reflect the latest eco updates this course includes a total of 360 questions based on the pmbok 7th edition the agile practice guide as well as other recommended preparation resources included in pmi

pmi capm exam prep pmi project management institute - Jul 06 2022

certifications certified associate in project management capm capm exam preparation get ready for your capm exam certified associate in project management capm proves you possess the foundational knowledge and skills to work on a wide range of projects using a variety of approaches agile predictive and hybrid

capm exam questions free capm practice test start now - Jun 05 2022

this capm exam questions quiz is based on the latest capm exam pattern the quiz will help you self assess your knowledge of the core project management concepts which you have prepared so far as you know that the capm certification exam consists of 150 multiple choice questions and has a three hour time limit the passing score is above the

capm exam flashcard study system capm test practice questions - Apr 03 2022

abebooks com capm exam flashcard study system capm test practice questions review for the certified associate in project management exam cards 9781609712365 by capm exam secrets test prep team and a great selection of similar new used and collectible books available now at great prices

capm exam flashcard study system capm test practice questions - Aug 07 2022

mar 31 2014 capm exam flashcard study system capm test practice questions and review for the certified associate in project managem capm exam secrets te 9781609712365 books amazon ca

capm exam flashcard study system capm test practice questions - Nov 10 2022

nov 17 2011 capm exam flashcard study system capm test practice questions review for the certified associate in project management exam capm exam secrets test prep team 4 00 1 rating0 reviews ace the capm exam and get the results you deserve the capm exam is a challenging test and your results can make a huge difference when it

the ultimate capm guide 7th edition 300 exam questions - Mar 14 2023

the ultimate capm guide 7th edition 300 exam questions pass the capm exam guaranteed top quality practice tests with pmbok references rich explanations and helpful tips 4 1 21 ratings 372 students created by pm preparation

[5 017 free capm practice questions 17 camp test exams](#) - Apr 15 2023

we have gathered a list of 5 017 questions that you can practice for free the more questions you review the better what really helps though is practice exams so try to do as many as possible when to take the capm exam remember when practicing capm questions and answers take notes especially for the mistakes you make

capm practice test certified associate of project management - Feb 01 2022

capm practice test our free capm practice questions will help you get prepared for the certified associate of project management exam our tests have been fully updated for the latest version of the exam which was released in july of 2023

capm certification practice test updated 2023 mometrix test - Oct 09 2022

sep 29 2023 common problem solving tools and techniques ii predictive plan based methodologies 17 the questions in this domain cover the following topics using a predictive plan based approach project management plan schedule documenting project controls of predictive plan based projects iii agile frameworks methodologies 20

[capm exam flashcards flashcards quizlet](#) - May 16 2023

phase gate a review at the end of a phase in which a decision is made to continue modify or end a phase or project the project s performance and progress are compared to the project and business documents 1 2 4 3 phase gate examples phase reviews stage gates kill points

project management certified associate capm practice tests - Sep 08 2022

find out by testing yourself with this new offering on udemy each of the 3 full practice tests in this set provide an entire exam s worth of questions enabling you to confirm your mastery and providing you with the confidence you ll need to take your capm exam

scott pilgrim vol 1 scott pilgrim s precious little life - Mar 10 2023

web aug 18 2004 but scott pilgrim vol 1 scott pilgrim s precious little life establishes pretty quickly that bryan lee o malley has a rare talent for spicing up an ordinary story into a precious little one subspace highways snowstorms love triangles and rock concerts all

scott pilgrim vol 1 scott pilgrim s precious little life kapak - Jan 08 2023

web scott pilgrim 6 books collection set bryan lee o malley 1 6 volume scott pilgrim s precious little life volume 1 scott pilgrim vs the world volume 2 scott pilgrim and the infinite sadness volume 3 scott pilgrim gets it together volume 4 sc

scott pilgrim vol 1 scott pilgrim s precious little life - Jul 02 2022

web scott pilgrim vol 1 scott pilgrim s precious little life just when you thought you knew all there was to know about scott

pilgrim comes scott pilgrim color hardcover volume 1 precious little life the first in a series of brand new hardcover editions this remastered 6 x9 hardcover presents scott s first evil ex battle as you ve never

scott pilgrim vol 1 of 6 scott pilgrim s precious little life - May 12 2023

web scott pilgrim vol 1 of 6 scott pilgrim s precious little life color edition ebook o malley bryan lee o malley bryan lee fairbairn nathan amazon in books

scott pilgrim vol 1 of 6 scott pilgrim s precious little life - Aug 15 2023

web aug 8 2012 scott pilgrim vol 1 of 6 scott pilgrim s precious little life color edition kindle edition by o malley bryan lee o malley bryan lee fairbairn nathan download it once and read it on your kindle device pc phones or tablets

scott pilgrim vs the podcast the podcast vs vol 1 scott pilgrim s - Mar 30 2022

web the podcast vs vol 1 scott pilgrim s precious little life scott pilgrim vs the podcast after shows we re officially kicking off our dive into bryan lee o malley s scott pilgrim by revisiting the book that started it all scott pilgrim s precious little life how does the book hold up nearly two decades later

scott pilgrim vol 1 of 6 scott pilgrim s precious little life - Feb 09 2023

web scott pilgrim vol 1 of 6 scott pilgrim s precious little life color edition ebook o malley bryan lee o malley bryan lee fairbairn nathan amazon co uk books

scott pilgrim vol 1 of yumpu - Dec 27 2021

web apr 8 2020 scott pilgrim color vol 1 precious little life the first in a series of brand new full color editions presents scott s first evil ex battle as you ve never seen it before plus previously unpublished extras and bonus materials make this mighty tome one that s required reading for scottaholics everywhere previous page next page 1 2 3 4

scott pilgrim vol 1 of 6 scott pilgrim s precious little life - Oct 05 2022

web aug 18 2004 just when you thought you knew all there was to know about scott pilgrim comes scott pilgrim color vol 1 precious little life the first in a series of brand new full color editions presents scott s first evil ex battle as you ve never seen it before

scott pilgrim vol 1 scott pilgrim s precious little life review - Jun 01 2022

web sep 7 2023 scott pilgrim s precious little life synopsis here s the official synopsis of scott pilgrim volume 1 via oni press scott pilgrim s life is totally sweet he s 23 years old in a rock band between jobs and dating a cute high school girl

scott pilgrim vol 1 precious little life google books - Feb 26 2022

web aug 14 2012 just when you thought you knew all there was to know about scott pilgrim comes scott pilgrim color hardcover volume 1 precious little life the first in a series of brand new hardcover editions this remastered 6 x9 hardcover presents scott s first evil ex battle as you ve never seen it before in full color

[scott pilgrim scott pilgrim s precious little life color edition](#) - Nov 06 2022

web about this ebook just when you thought you knew all there was to know about scott pilgrim comes scott pilgrim s precious little life special edition hc the first in a series of brand

scott pilgrim volume 1 scott pilgrim s precious little life - Aug 03 2022

web 1 v unpagged 19 cm scott pilgrim s life is fantastic he s 23 years old in a rock band between jobs and dating a cute high school girl everything s awesome until a seriously mind blowing delivery girl named ramona flowers enters his

scott pilgrim s precious little life open library - Apr 30 2022

web apr 1 2023 details reviews lists related books last edited by importbot april 1 2023 history edit an edition of scott pilgrim s precious little life scott pilgrim vol 1 2004 scott pilgrim s precious little life by bryan lee o malley 4 13 30 ratings 92 want to read 6 currently reading 39 have read scott pilgrim s life is fantastic

scott pilgrim wikipedia - Apr 11 2023

web scott pilgrim s precious little life volume 1 scott pilgrim is a charming and confident 23 year old canadian slacker living in a video game style toronto with his sarcastic gay roommate wallace wells he has started dating a

scott pilgrim vol 1 of 6 scott pilgrim s precious little life - Sep 04 2022

web scott pilgrim vol 1 of 6 scott pilgrim s precious little life color edition english edition kindle e comixology edição inglês por bryan lee o malley autor artista nathan fairbairn colorista formato ebook kindle 4 7 2 616 avaliações de clientes parte de scott pilgrim color

scott pilgrim vol 1 of 6 scott pilgrim s precious little life - Jan 28 2022

web scott pilgrim vol 1 of 6 scott pilgrim s precious little life color edition preview scott pilgrim color english edition edición kindle edición inglés por bryan lee o malley autor artista nathan fairbairn colorista formato edición kindle 4 7

[scott pilgrim vol 1 of 6 scott pilgrims precious little life 2012](#) - Jul 14 2023

web read scott pilgrim vol 1 of 6 scott pilgrims precious little life 2012 comic online free and high quality fast loading speed unique reading type all pages a to z comics

scott pilgrim vol 1 scott pilgrim s precious little life - Jun 13 2023

web jan 29 2022 scott pilgrim vol 1 scott pilgrim s precious little life topics scott pilgrim comic scott pilgrim vol 1 eng mobi addeddate 2022 01 29 15 09 24 identifier scott pilgrim vol 1 scott pilgrims precious little life scanner

scott pilgrim vol 1 of 6 scott pilgrim s precious little life - Dec 07 2022

web scott pilgrim vol 1 of 6 scott pilgrim s precious little life color edition ebook o malley bryan lee o malley bryan lee fairbairn nathan amazon ca books