
Design and function

Group 21 Short block

Engine, general

The D1-13, D1-20, D1-30 and D2-40 are four cycle marine diesel propulsion engines. They all have two valves per cylinder, a high-mounted camshaft in the engine block and a mechanical injection pump.

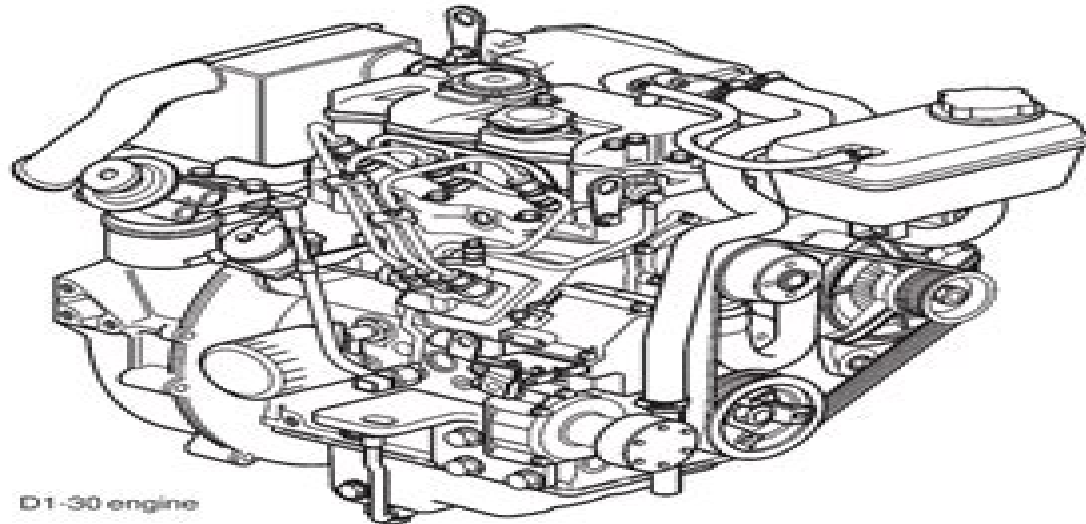
The D1-13 is an in-line two cylinder engine with a total swept volume of 0.51 liter. The D-20 and D1-30 are in-line three cylinder engines with total swept volumes of 0.76 and 1.13 liter respectively. The D2-40 is an in-line four cylinder engine with a total swept volume of 1.51 liter.

The D1-13 and D1-20 engines have identical pistons with the same dimensions. The D1-30 and D2-40 engines have different pistons, but of common dimensions.

The engines are lubricated by a pressure lubrication system, in which an oil pump supplies oil under pressure to all lubrication points.

Fresh water cooling uses a thermostatically controlled sea-water cooled heat exchanger. The sea water pump is operated by a gear train.

The crankshaft operates the coolant pump and alternator via a drive belt.



D1-30 engine

Workshop Manual Groupe 30 Volvo D1 D

Consumer Reports



Workshop Manual Groupe 30 Volvo D1 D:

Moody's Industrial Manual ,1997 Covering New York American regional stock exchanges international companies
Road and Track ,1979 *Manual of Spine Surgery* Uwe Vieweg, Frank Grochulla, 2023-10-16 This manual has been compiled in response to the rapid expansion of instrumented spinal surgery using minimally invasive and non fusion techniques with a view to meeting the needs of spinal surgeons orthopaedic and neurosurgeons The various open less invasive and minimally invasive techniques are presented step by step in a clear and instructive way with the aid of more than 600 high quality illustrations Careful attention is paid to all aspects vital to the success of any spinal operation precise definition of indications and contraindications technical and organizational factors good operating technique and correct preoperative preparation and positioning of the patient This second edition of the manual takes full account of the latest developments in spinal instrumentation and implants and new surgical techniques It is authoritative concise and portable ideal for use in a fast paced clinical setting and will serve as a daily companion for spinal surgeons and others who care for patients with spinal disorders Subject Guide to Children's Books in Print 1997 Bowker Editorial Staff, R R Bowker Publishing, 1996-09 **Moody's International Manual** ,1998 *Popular Mechanics* ,1987-11 Popular Mechanics inspires instructs and influences readers to help them master the modern world Whether it s practical DIY home improvement tips gadgets and digital technology information on the newest cars or the latest breakthroughs in science PM is the ultimate guide to our high tech lifestyle Innocent in Palo Alto: From the Diary of a Think Tank Dweller , **Atlanta** ,2004-09 Atlanta magazine s editorial mission is to engage our community through provocative writing authoritative reporting and superlative design that illuminate the people the issues the trends and the events that define our city The magazine informs challenges and entertains our readers each month while helping them make intelligent choices not only about what they do and where they go but what they think about matters of importance to the community and the region Atlanta magazine s editorial mission is to engage our community through provocative writing authoritative reporting and superlative design that illuminate the people the issues the trends and the events that define our city The magazine informs challenges and entertains our readers each month while helping them make intelligent choices not only about what they do and where they go but what they think about matters of importance to the community and the region Mergent Industrial Manual ,2003 **Ward's Automotive Yearbook** ,1991 Includes advertising matter **Mergent Transportation Manual** ,2001 World Fishing ,1989 **Automotive News** ,1979-04 *Autocar & Motor* ,1990 *Asian Timber* ,1998 **Autocar** ,2002 *The Autocar* ,1971-08 Popular Mechanics ,1972-08 Popular Mechanics inspires instructs and influences readers to help them master the modern world Whether it s practical DIY home improvement tips gadgets and digital technology information on the newest cars or the latest breakthroughs in science PM is the ultimate guide to our high tech lifestyle **Daily Graphic** Henry Ofori, 1969-03-29 Used Car Buying Guide 1995 Consumer Reports, 1995-05 With the average

price of a new car now exceeding 18 000 this is the guide used car buyers wait for the one the New York Daily News called the most useful guide on the market This guide will steer consumers to the makes and models most likely to provide reliable and practical transportation and help minimize the chance of making an expensive mistake

Eventually, you will definitely discover a supplementary experience and finishing by spending more cash. yet when? get you put up with that you require to get those all needs similar to having significantly cash? Why dont you try to get something basic in the beginning? Thats something that will lead you to understand even more in the region of the globe, experience, some places, when history, amusement, and a lot more?

It is your unconditionally own time to be in reviewing habit. accompanied by guides you could enjoy now is **Workshop Manual Groupe 30 Volvo D1 D** below.

https://hersolutiongelbuy.com/book/detail/Download_PDFS/Science_Chapter_5_Crossword_Answer_Key_Bonding.pdf

Table of Contents Workshop Manual Groupe 30 Volvo D1 D

1. Understanding the eBook Workshop Manual Groupe 30 Volvo D1 D
 - The Rise of Digital Reading Workshop Manual Groupe 30 Volvo D1 D
 - Advantages of eBooks Over Traditional Books
2. Identifying Workshop Manual Groupe 30 Volvo D1 D
 - Exploring Different Genres
 - Considering Fiction vs. Non-Fiction
 - Determining Your Reading Goals
3. Choosing the Right eBook Platform
 - Popular eBook Platforms
 - Features to Look for in an Workshop Manual Groupe 30 Volvo D1 D
 - User-Friendly Interface
4. Exploring eBook Recommendations from Workshop Manual Groupe 30 Volvo D1 D
 - Personalized Recommendations
 - Workshop Manual Groupe 30 Volvo D1 D User Reviews and Ratings
 - Workshop Manual Groupe 30 Volvo D1 D and Bestseller Lists
5. Accessing Workshop Manual Groupe 30 Volvo D1 D Free and Paid eBooks

- Workshop Manual Groupe 30 Volvo D1 D Public Domain eBooks
 - Workshop Manual Groupe 30 Volvo D1 D eBook Subscription Services
 - Workshop Manual Groupe 30 Volvo D1 D Budget-Friendly Options
6. Navigating Workshop Manual Groupe 30 Volvo D1 D eBook Formats
- ePub, PDF, MOBI, and More
 - Workshop Manual Groupe 30 Volvo D1 D Compatibility with Devices
 - Workshop Manual Groupe 30 Volvo D1 D Enhanced eBook Features
7. Enhancing Your Reading Experience
- Adjustable Fonts and Text Sizes of Workshop Manual Groupe 30 Volvo D1 D
 - Highlighting and Note-Taking Workshop Manual Groupe 30 Volvo D1 D
 - Interactive Elements Workshop Manual Groupe 30 Volvo D1 D
8. Staying Engaged with Workshop Manual Groupe 30 Volvo D1 D
- Joining Online Reading Communities
 - Participating in Virtual Book Clubs
 - Following Authors and Publishers Workshop Manual Groupe 30 Volvo D1 D
9. Balancing eBooks and Physical Books Workshop Manual Groupe 30 Volvo D1 D
- Benefits of a Digital Library
 - Creating a Diverse Reading Collection Workshop Manual Groupe 30 Volvo D1 D
10. Overcoming Reading Challenges
- Dealing with Digital Eye Strain
 - Minimizing Distractions
 - Managing Screen Time
11. Cultivating a Reading Routine Workshop Manual Groupe 30 Volvo D1 D
- Setting Reading Goals Workshop Manual Groupe 30 Volvo D1 D
 - Carving Out Dedicated Reading Time
12. Sourcing Reliable Information of Workshop Manual Groupe 30 Volvo D1 D
- Fact-Checking eBook Content of Workshop Manual Groupe 30 Volvo D1 D
 - Distinguishing Credible Sources
13. Promoting Lifelong Learning
- Utilizing eBooks for Skill Development

- Exploring Educational eBooks
- 14. Embracing eBook Trends
 - Integration of Multimedia Elements
 - Interactive and Gamified eBooks

Workshop Manual Groupe 30 Volvo D1 D Introduction

In the digital age, access to information has become easier than ever before. The ability to download Workshop Manual Groupe 30 Volvo D1 D has revolutionized the way we consume written content. Whether you are a student looking for course material, an avid reader searching for your next favorite book, or a professional seeking research papers, the option to download Workshop Manual Groupe 30 Volvo D1 D has opened up a world of possibilities. Downloading Workshop Manual Groupe 30 Volvo D1 D provides numerous advantages over physical copies of books and documents. Firstly, it is incredibly convenient. Gone are the days of carrying around heavy textbooks or bulky folders filled with papers. With the click of a button, you can gain immediate access to valuable resources on any device. This convenience allows for efficient studying, researching, and reading on the go. Moreover, the cost-effective nature of downloading Workshop Manual Groupe 30 Volvo D1 D has democratized knowledge. Traditional books and academic journals can be expensive, making it difficult for individuals with limited financial resources to access information. By offering free PDF downloads, publishers and authors are enabling a wider audience to benefit from their work. This inclusivity promotes equal opportunities for learning and personal growth. There are numerous websites and platforms where individuals can download Workshop Manual Groupe 30 Volvo D1 D. These websites range from academic databases offering research papers and journals to online libraries with an expansive collection of books from various genres. Many authors and publishers also upload their work to specific websites, granting readers access to their content without any charge. These platforms not only provide access to existing literature but also serve as an excellent platform for undiscovered authors to share their work with the world. However, it is essential to be cautious while downloading Workshop Manual Groupe 30 Volvo D1 D. Some websites may offer pirated or illegally obtained copies of copyrighted material. Engaging in such activities not only violates copyright laws but also undermines the efforts of authors, publishers, and researchers. To ensure ethical downloading, it is advisable to utilize reputable websites that prioritize the legal distribution of content. When downloading Workshop Manual Groupe 30 Volvo D1 D, users should also consider the potential security risks associated with online platforms. Malicious actors may exploit vulnerabilities in unprotected websites to distribute malware or steal personal information. To protect themselves, individuals should ensure their devices have reliable antivirus software installed and validate the legitimacy of the websites they are downloading from. In conclusion, the ability to download Workshop Manual Groupe 30 Volvo D1 D has transformed the way we access

information. With the convenience, cost-effectiveness, and accessibility it offers, free PDF downloads have become a popular choice for students, researchers, and book lovers worldwide. However, it is crucial to engage in ethical downloading practices and prioritize personal security when utilizing online platforms. By doing so, individuals can make the most of the vast array of free PDF resources available and embark on a journey of continuous learning and intellectual growth.

FAQs About Workshop Manual Groupe 30 Volvo D1 D Books

How do I know which eBook platform is the best for me? Finding the best eBook platform depends on your reading preferences and device compatibility. Research different platforms, read user reviews, and explore their features before making a choice. Are free eBooks of good quality? Yes, many reputable platforms offer high-quality free eBooks, including classics and public domain works. However, make sure to verify the source to ensure the eBook credibility. Can I read eBooks without an eReader? Absolutely! Most eBook platforms offer web-based readers or mobile apps that allow you to read eBooks on your computer, tablet, or smartphone. How do I avoid digital eye strain while reading eBooks? To prevent digital eye strain, take regular breaks, adjust the font size and background color, and ensure proper lighting while reading eBooks. What the advantage of interactive eBooks? Interactive eBooks incorporate multimedia elements, quizzes, and activities, enhancing the reader engagement and providing a more immersive learning experience. Workshop Manual Groupe 30 Volvo D1 D is one of the best book in our library for free trial. We provide copy of Workshop Manual Groupe 30 Volvo D1 D in digital format, so the resources that you find are reliable. There are also many Ebooks of related with Workshop Manual Groupe 30 Volvo D1 D. Where to download Workshop Manual Groupe 30 Volvo D1 D online for free? Are you looking for Workshop Manual Groupe 30 Volvo D1 D PDF? This is definitely going to save you time and cash in something you should think about.

Find Workshop Manual Groupe 30 Volvo D1 D :

science chapter 5 crossword answer key bonding

science focus 7 textbook

[schwinn bowflex manual](#)

school custodial training manual

[science explorer 7th grade environmental science test](#)

school of nursing or lilitha

schematic diagram battery charger

scheme of work for sssphysics

scheme of work for sss1 2014 2015

schwartz principles of surgery 9th edition chm

school code list of bihar

science exam paper foundation b2 p2 c2

school custodian letter of reference

science olympiad tryout test 2013 answer sheet

science answers key harcourt school

Workshop Manual Groupe 30 Volvo D1 D :

einkünfte aus vermietung und verpachtung versteuern steuern de - Jul 14 2023

web einkünfte aus vermietung und verpachtung ermittlung der ortsüblichen marktmiete 14 mai 2021

vermietung und verpachtung 1 einkommensteuer haufe - Apr 11 2023

web einkünfte aus vermietung und verpachtung gehören in deutschland zu den in abs 1 estg genannten sieben einkunftsarten und zählen zu den Überschusseinkünften

checkliste einkünfte aus vermietung und verpachtung - Jun 01 2022

web einkünfte aus vermietung und verpachtung gelten als Überschusseinkünfte und nicht als gewinneinkünfte das heißt sie werden durch den Überschuss der einnahmen über die

kindeunterhalt 2 8 einkünfte aus vermietung und verpachtung - Feb 26 2022

web hometogo hat für euch die besten angebote herausgesucht finde und buche hier die schönsten ferienwohnungen und ferienhäuser in der nähe vom meer in istanbul und

ferienwohnungen apartments in istanbul ab 16 mieten - Dec 27 2021

web istanbulhavalimani gov tr

flughafen istanbul ankunft und abflug laut aktuellem flugplan - Sep 23 2021

was sind einkünfte aus vermietung und verpachtung - Oct 05 2022

web was versteht man unter einkünften aus vermietung und verpachtung welche arten der einkünfte aus vermietung und verpachtung gibt es einkünfte aus vermietung und

einkünfte aus vermietung und verpachtung deutschland - Feb 09 2023

web mieter müssen beim einzug in eine neue wohnung entsprechend dem abgeschlossenen mietvertrag häufig eine mietkaution an den vermietet zahlen dabei stellt sich die frage

einkünfte aus vermietung und verpachtung einkomme 2023 - Jan 08 2023

web wer als steuerpflichtiger gewinne aus der vermietung oder verpachtung von häusern wohnungen oder sonstigen immobilien erzielt muss über diese bei seiner

einkünfte aus vermietung und verpachtung finanztip - Aug 15 2023

web dec 13 2012 einkünfte aus vermietung und verpachtung gehören bei der einkommensteuer zu den Überschusseinkünften es sei denn derartige einahmen werden im rahmen eines gewerbebetriebes erzielt dann handelt es sich um einkünfte aus

einkünfte aus vermietung und verpachtung steuertipps - Sep 04 2022

web einkünfte aus vermietung und verpachtung entstehen bei der entgeltlichen Überlassung von unbeweglichem vermögen d h von grundstücken gebäuden gebäudeteilen

esth 2021 f vermietung und verpachtung 2 absatz 1 - Mar 10 2023

web einkünfte aus vermietung und verpachtung einkomme vermietung von haus und grund apr 28 2021 die einkünfte aus vermietung und verpachtung berechnet der

einkünfte aus vermietung und verpachtung ermittlung - Jun 13 2023

web jul 22 2020 für die zurechnung der einkünfte aus vermietung und verpachtung kommt es nicht entscheidend darauf an ob der steuerpflichtige rechtlicher oder wirtschaftlicher

definition einkünfte aus vermietung und verpachtung - Jul 02 2022

web jan 1 2020 wie hoch sind die steuern für meine einkünfte aus vermietung und verpachtung privatpersonen müssen einkünfte aus der vermietung oder

rk termin bereich wählen auswärtiges amt - Nov 25 2021

web für die flugauskunft vom flughafen istanbul nutzen sie am besten den bereich ankünfte abflüge und wenn ein besuch in türkei fest geplant ist werfen sie doch einen kurzen

ermittlung der einkünfte aus vermietung und verpachtung - Mar 30 2022

web feb 12 2021 İstanbul İlindeki İkamet İzni başvuruları hakkında duyuru 12 02 2021 İkamet izni başvuru dosyalarının posta kargo yoluyla alınması usulüne son verilmiş olup

einkünfte aus vermietung und verpachtung studienretter - Aug 03 2022

web auflistung der herstellungskosten in separater aufstellung wie folgt lfd belegnummer name des baidienstleisters rechnungsdatum erbrachte leistung kosten

anlage v formular für einkünfte aus vermietung und - Nov 06 2022

web jul 7 2005 in den meisten fällen werden einkünfte aus vermietung und verpachtung durch die entgeltliche Überlassung von zimmern wohnungen immobilien oder durch

İstanbul İlindeki İkamet İzni başvuruları hakkında duyuru - Jan 28 2022

web für eine beglaubigung beurkundung oder bescheinigung für eine namenserklärung oder zur beantragung eines ehefähigkeitszeugnisses vereinbaren wollen für jede person

vermietung und verpachtung von privaten immobilien sowie - Apr 30 2022

web einkünfte aus vermietung und verpachtung sind in die unterhaltsberechnung grds einzubeziehen sie werden durch eine Überschussrechnung ermittelt vielfach falsch

anlage v einkünfte aus vermietung und verpachtung 2021 - Dec 07 2022

web einkünfte aus vermietung und verpachtung freibetrag wer mit vermietung oder verpachtung einkünfte erzielt gilt als vermierer und muss seine einkünfte versteuern

anlage v einkünfte aus vermietung und verpachtung 2022 - May 12 2023

web a einkommensteuergesetz einkommensteuer durchführungsverordnung einkommensteuer richtlinien hinweise einkommen 8 die einzelnen einkunftsarten f

istanbulhavalimani gov tr - Oct 25 2021

10 terrifiantes histoires et inexplicées qui vont vous faire froid - Jan 20 2022

web oct 31 2021 5 histoires macabre est un film réalisé par kim westerlund et jan verdijk synopsis un programme de cinq courts métrages d horreur européens programme

histoires macabres treize nouvelles fantastiques et horribles - Jun 05 2023

web dec 15 2015 histoires macabres treize nouvelles fantastiques et horribles french edition moreau victor on amazon com free shipping on qualifying offers

histoires macabres treize nouvelles fantastiques et horribles - Jul 26 2022

web histoires macabres treize nouvelles fantastiques et horribles de victor moreau 3 4 sur 5 étoiles 47 histoires macabres contes inexplicés parcelles d atrocités et

histoires macabres treize nouvelles fantastiques et horribles - Apr 03 2023

web apr 30 2015 buy histoires macabres treize nouvelles fantastiques et horribles french edition read kindle store reviews amazon com

histoires macabres treize nouvelles fantastiques et horribles - Dec 31 2022

web histoires macabres treize nouvelles fantastiques et horribles french edition ebook moreau victor songs of asgard amazon in kindle store

5 histoires macabre film 2021 allociné - Dec 19 2021

web télécharger les nouveautés magazines journaux ebooks libres et gratuits bande dessinées romans ebooks livres audio et autoformations gratuitement en pdf epub

histoires macabres treize nouvelles fantastiques et horribles - Oct 29 2022

web dec 15 2015 histoires macabres treize nouvelles fantastiques et horribles moreau victor amazon ca books

histoires macabres treize nouvelles fantastiques et horribles - Jul 06 2023

web buy histoires macabres treize nouvelles fantastiques et horribles by moreau victor online on amazon ae at best prices fast and free shipping free returns cash on delivery

amazon fr histoires macabres - Jun 24 2022

web découvrez des commentaires utiles de client et des classements de commentaires pour histoires macabres treize nouvelles fantastiques et horribles sur amazon fr lisez

dark stories histoires macabres et inexplicables récits - Feb 18 2022

web aug 11 2016 attendez vous à ne pas dormir après avoir lu ces 10 mystérieuses histoires mystérieuses 1 un démon à l'hôpital la photo ci dessus a été prise par un moniteur de

histoires macabres treize nouvelles fantastiques et horribles - Feb 01 2023

web histoires macabres treize nouvelles fantastiques et horribles moreau victor amazon com au books

télécharger pdf histoires macabres treize nouvelles gratuit - Apr 22 2022

web histoires macabres treize nouvelles fantastiques 3 3 psychanalyse la blquette sentimentale la science fiction la fantasy et j en passe non sans oublier le rôle de

histoires macabres treize nouvelles fantastiques et horribles - Nov 17 2021

histoires macabres treize nouvelles fantastiques et horribles - Sep 27 2022

web téléchargement gratuit de romans histoires macabres treize nouvelles fantastiques et horribles victor moreau disponible en pdf epub et kindle lisez écrivez des

histoires macabres treize nouvelles fantastiques et horribles - Aug 07 2023

web buy histoires macabres treize nouvelles fantastiques et horribles 1 by moreau victor isbn 9782955239575 from amazon s book store everyday low prices and free

histoires macabres treize nouvelles fantastiques et - Oct 09 2023

web histoires macabres book read reviews from world s largest community for readers une morte revenue à la vie qui ignore sa condition et tente tant bien q

histoires macabres treize nouvelles fantastiques et horribles - Sep 08 2023

web d autres encore dans treize nouvelles d horreur et de fantastique directement inspirées des maîtres que sont richard matheson ray bradbury ou neil gaiman vous plongerez

histoires macabres treize nouvelles fantastiques et horribles - May 04 2023

web au travers de ces treize nouvelles d horreur et de fantastique découvrez tout un panel de personnages étranges terrifiants ou attachants qui vous emporteront dans leur folie

histoires macabres treize nouvelles fantastiques et horribles - Nov 29 2022

web buy histoires macabres treize nouvelles fantastiques et horribles by victor moreau online at alibris we have new and used copies available in 1 editions starting at

histoires macabres treize nouvelles fantastiques et horribles - Aug 27 2022

web compre online histoires macabres treize nouvelles fantastiques et horribles de moreau victor na amazon frete grátis em milhares de produtos com o amazon

histoires macabres treize nouvelles fantastiques - Mar 22 2022

web bienvenu sur dark stories le recueil d histoires macabres et inexplicables ce site est une compilation d histoires sombres que j ai consciencieusement sélectionné si vous

amazon fr commentaires en ligne histoires macabres treize - May 24 2022

web plein de vampires certains sont des sociopathes qui tentent de lutter contre leur propre nature mais peut on seulement changer qui l on est ou bien est on condamné à répéter

histoires macabres treize nouvelles fantastiques et horribles - Mar 02 2023

web apr 30 2015 au travers de ces treize nouvelles d horreur et de fantastique découvrez tout un panel de personnages étranges terrifiants ou attachants qui vous emporteront

biografia del libertador simon bolivar o la indep store spiralny - Nov 12 2021

web biografia del libertador simon bolivar o la independencia la estatua sin pedestal la iglesia que entendio el libertador simon bolivar biografia del libertador simon bolívar o la independencia de la america del sud resena historico biografica biografía del libertador simón bolívar biografía del libertador simón bolívar

simón bolívar wikipedia - Jul 01 2023

web simón josé antonio de la santísima trinidad bolívar palacios ponte y blanco 24 july 1783 17 december 1830 was a venezuelan military and political leader who led what are currently the countries of colombia venezuela ecuador peru

panama and bolivia to independence from the spanish empire he is known colloquially as el libertador or the *simón bolívar wikipedia la enciclopedia libre* - Oct 04 2023

web simón josé antonio de la santísima trinidad bolívar ponte y palacios blanco caracas imperio español 24 de julio de 1783 nota 4 nota 5 santa marta gran colombia 17 de diciembre de 1830 más conocido como simón bolívar o el libertador fue un militar y político venezolano 17 líder fundamental de la independencia de lo que son hoy [biografía del libertador simon bolivar o la indep](#) - May 31 2023

web biografía del libertador simon bolivar o la indep simón bolívar el libertador patriot warrior statesman father of five nations aug 24 2021 this work has been selected by scholars as being culturally important and is part of the knowledge base of civilization as we know it this work is in the

download solutions biografía del libertador simon bolivar o la indep - May 19 2022

web biografía del libertador simon bolivar o la indep el libertador jun 18 2021 general simon bolivar 1783 1830 called el liberator and sometimes the george washington of latin america was the leading hero of the latin american independence movement his victories over spain won

[simón bolívar una síntesis del libertador la red cultural del](#) - Dec 26 2022

web simón bolívar una síntesis del libertador autor bushnell david simón bolívar es sin duda el personaje histórico más importante que ha producido américa latina hasta el punto que casi todos los movimientos políticos y sociales lo han reclamado como precursor o

simón bolívar wikiwand - Jan 27 2023

web líder fundamental de la independencia de lo que son hoy venezuela colombia y ecuador ayudó a consolidar la de Perú fue la inspiración en la última etapa independentista de panamá y estuvo involucrado en la cuestión fundacional de bolivia figura esencial de la emancipación hispanoamericana frente al imperio español

simón bolívar el libertador biblioteca virtual miguel de cervantes - Jan 15 2022

web el 24 de junio de 1821 en la sabana de carabobo bolívar da una batalla que decide definitivamente la independencia de venezuela los restos del ejército 13 realista se refugian en puerto cabello que caerá en 1823 el libertador entra triunfador en su ciudad natal en medio de la alegría de sus conciudadanos

simón bolívar biografía de el libertador resumen de vida datos - Apr 29 2023

web fue un hombre de acción que consiguió la independencia de las colonias de la América española al tiempo que dedicó su ideal de unidad política de toda América del Sur desde su Venezuela natal extendió la lucha liberadora a Colombia Ecuador Perú y Bolivia

[biografía de simón bolívar biografias y vidas com](#) - Sep 03 2023

web simón bolívar llamado el libertador caracas venezuela 1783 santa marta colombia 1830 caudillo de la independencia hispanoamericana nacido en una familia de origen vasco de la hidalguía criolla venezolana simón bolívar forjó su ideario político leyendo a los pensadores del empirismo y la ilustración locke montesquieu

biografia del libertador simon bolivar o la indep - Apr 17 2022

web biografia del libertador simon bolivar o la indep downloaded from renewalcc com by guest michael jamal nook press 2 biografia del libertador simon bolivar o la indep 2022 02 18 flawed politician a major work of history bolívar colorfully portrays a dramatic life

biografia del libertador simon bolivar o la indep guillermo - Jun 19 2022

web originalmente en 1868 biografia del libertador simon bolivar o la independencia de la america del sud 1877 biografía del libertador simon bolivar ó la independencia de la américa del sud l c 1912 the general in his labyrinth gabriel garcía márquez 2014 10 15 available for the first time in ebook general simon bolivar

biografia del libertador simon bolivar o la indep pdf - Aug 22 2022

web biografia del libertador simon bolivar o la indep el ideal poltico del libertador simon bolvar with portraits jun 26 2023

biografia del libertador simon bolivar jun 21 2020 simn bolvar el libertador prcer que dedico su vida para romper las cadenas de una buena parte de la amrica

simón bolívar el libertador de américa historia national - Aug 02 2023

web jul 18 2023 historia el caudillo venezolano más famoso de la historia simón bolívar el libertador de américa no descansare hasta romper las cadenas del dominio espan ol en ame rica juro en su juventud el caudillo venezolano que desde 1812 encabezo la lucha por la independencia de la ame rica espan ola juan carlos chirinos

biografia del libertador simon bolivar o la indep copy db csda - Feb 13 2022

web biografia del libertador simon bolivar o la indep biografía del libertador simón bolívar simón bolívar el libertador 4

biografia del libertador simon bolivar o la indep 2023 06 02 de esta obra pero sí lo es en cualquiera de los países de la antigua gran colombia región donde

ebook biografia del libertador simon bolivar o la indep - Sep 22 2022

web o libertador apr 12 2020 simón bolívar simon bolivar may 06 2022 chronicles the life of simón bolívar exploring his political career leadership dynamics rule over the people of spanish america and impact on world history simon bolivar jan 22 2021 memorias del general o leary publ por s b o leary jun 26 2021

biografia del libertador simon bolivar o la indep copy - Dec 14 2021

web biografia del libertador simon bolivar o la indep downloaded from files climagic org by guest sierra chambers el

libertador en su centenario nobooks 2 biografia del libertador simon bolivar o la indep 2021 03 13 lost his beautiful wife soon

after they married and never remarried although he

biografia del libertador simon bolivar o la indep full pdf - Jul 21 2022

web biografia del libertador simon bolivar o la indep simon bolivar his basic thoughts mar 14 2020 simón bolívar memoirs of simon bolivar jul 10 2022 for glory and bolívar jun 16 2020 she was a friend and the name of the libertador has become synonymous with the region s hopes for integration in this 1992 book

biografía de simón bolívar el libertador red historia - Feb 25 2023

web feb 4 2013 con su campaña militar y política consiguió echar a los realistas españoles de unas colonias que llevaban siglos descuidando pasaría a la historia como el héroe de hispanoamérica y le llamarían el libertador simón bolívar simón bolívar nació el 24 de julio de 1783 en caracas en el seno de una acaudalada familia criolla

biografia del libertador simon bolivar o la indep download only - Nov 24 2022

web jun 3 2023 biografia del libertador simon bolivar o la indep bolivar may 29 2020 an authoritative portrait of the latin american warrior statesman examines his life against a backdrop of the tensions of nineteenth century south america covering his achievements as a strategist abolitionist and diplomat simon bolivar feb 25 2020 el libertador

biografía de simón bolívar el libertador resumen corto - Oct 24 2022

web nov 1 2023 por 23 de mayo de 2020 resumen corto de la biografía de simón bolívar el libertador como figura insigne de la historia de venezuela y de américa sus cualidades de liderazgo tanto en el ámbito civil como militar su pensamiento sus proclamas su comprensión del momento en que vivía y su entrega a la bandera de la

biografía de simón bolívar simón bolívar - Mar 29 2023

web simón bolívar el libertador descendiente de una familia de origen vasco que se hallaba establecida en venezuela desde fines del siglo xvi y ocupaba en la provincia una destacada posición económica y social simón bolívar nació en la ciudad de caracas el 24 de julio de 1783 sus padres fueron el coronel don juan vicente bolívar y

biografía del libertador simon bolivar o la indep - Mar 17 2022

web biografía militar del libertador simón bolívar que describe sus mas brillantes acciones de armas en el campo de batalla contra las fuerzas realistas de la corona española the delirium of the liberator biografía del libertador simón bolívar biografía del libertador simon bolivar o la independenciabiografía del libertador simon bolívar