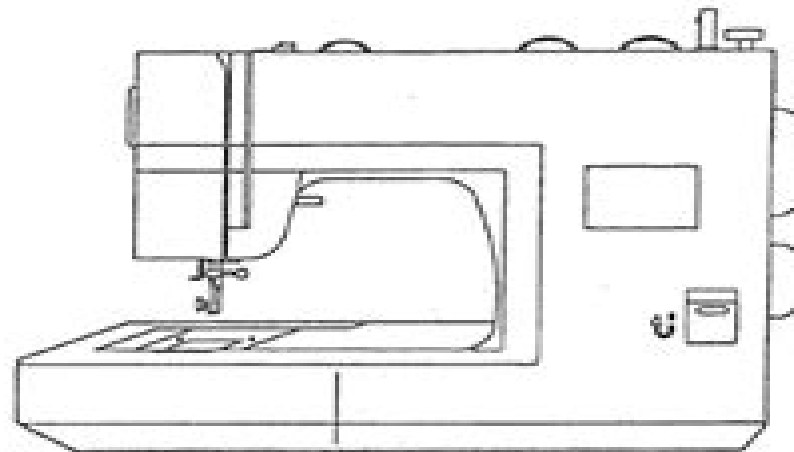


INSTRUCTION BOOK 2037



WHITE

www.whitesewing.com

User Manual White Model 2037

**Peter Atkinson, Giles M. Foody, Steven
E. Darby, Fulong Wu**

User Manual White Model 2037:

Moody's Manual of Railroads and Corporation Securities ,1917 **Scientific and Technical Aerospace Reports** ,1980
Hamilton Wristwatches A Reference Guide Bruce Shawkey,2016-07-20 A guide for Hamilton wristwatch collectors to identify watches made between 1917 and 1969 **Monthly Catalog of United States Government Publications** ,1998
United States Civil Aircraft Register ,1977 *Standard Catalog of Pontiac, 1926-2002* John Gunnell,2012-02-20 In Standard Catalog of Pontiac 1926 2002 collectors can speed through thousands of listings to obtain specifications production data and serial number information for their favorite Pontiacs Every Pontiac model ever made from1926 to 2002 is listed along with the predecessors to Pontiac the Oakland cars produced from 1908 1931 Over 500 photographs help collectors clearly identify the Pontiacs through the years Current collector values are provided in six grades of condition Thousands of listings of Pontiacs made from 1926 2002 includes new listings for models made from 1996 to 2002 including Bonneville SSEi Grand Prix GTP Ram Air Firebirds Aztec and Vibe Specifications production data serial number information and much more and features coverage of Oakland cars produced from 1908 1931 Federal Register ,2012-03 **Ohio Poland-China Record** Ohio Poland-China Record Company,1900 **The Billboard** ,1929 **GeoDynamics** Peter Atkinson,Giles M. Foody,Steven E. Darby,Fulong Wu,2004-12-16 While remote sensing gives a surface depiction of the world its recent convergence with GIS enables richer depictions that can be used to simulate physical processes identify trends and make more accurate predictions GeoDynamics is based on specialized lectures from an international field of experts addressing remote sensing spatially **American Poland-China Record** American Poland-China Record Association,1897 Field & Stream ,1972-01 FIELD STREAM America s largest outdoor sports magazine celebrates the outdoor experience with great stories compelling photography and sound advice while honoring the traditions hunters and fishermen have passed down for generations Publications of the Geological Survey Geological Survey (U.S.),1988 Sixteenth Census of the United States, 1940: The labor force United States,1943 **The Ohio Poland-China Record** Ohio Poland-China record company,1901 *Interpreting Biomedical Science* Ülo Maiväli,2015-06-12 Interpreting Biomedical Science Experiment Evidence and Belief discusses what can go wrong in biological science providing an unbiased view and cohesive understanding of scientific methods statistics data interpretation and scientific ethics that are illustrated with practical examples and real life applications Casting a wide net the reader is exposed to scientific problems and solutions through informed perspectives from history philosophy sociology and the social psychology of science The book shows the differences and similarities between disciplines and different eras and illustrates the concept that while sound methodology is necessary for the progress of science we cannot succeed without a right culture of doing things Features theoretical concepts accompanied by examples from biological literature Contains an introduction to various methods with an emphasis on statistical hypothesis testing Presents a clear argument that ties the motivations and ethics of individual scientists to the

success of their science Provides recommendations on how to safeguard against scientific misconduct fraud and retractions Arms young scientists with practical knowledge that they can use every day *Sixteenth Census of the United States: 1940* United States. Bureau of the Census,1943 Monthly Catalogue, United States Public Documents ,1985 Anatomy & Physiology with Brief Atlas of the Human Body and Quick Guide to the Language of Science and Medicine - E-Book Kevin T. Patton, Frank B. Bell, Terry Thompson, Peggie L. Williamson, 2022-03-21 A P may be complicated but learning it doesn't have to be Anatomy Physiology 11th Edition uses a clear easy to read approach to tell the story of the human body's structure and function Color coded illustrations case studies and Clear View of the Human Body transparencies help you see the Big Picture of A P To jump start learning each unit begins by reviewing what you have already learned and previewing what you are about to learn Short chapters simplify concepts with bite size chunks of information Conversational storytelling writing style breaks down information into brief chapters and chunks of information making it easier to understand concepts 1 400 full color photographs and drawings bring difficult A P concepts to life and illustrate the most current scientific knowledge UNIQUE Clear View of the Human Body transparencies allow you to peel back the layers of the body with a 22 page full color insert showing the male and female human body along several planes The Big Picture and Cycle of Life sections in each chapter help you comprehend the interrelation of body systems and how the structure and function of these change in relation to age and development Interesting sidebars include boxed features such as Language of Science and Language of Medicine Mechanisms of Disease Health Matters Diagnostic Study FYI Sport and Fitness and Career Choices Learning features include outlines key terms and study hints at the start of each chapter Chapter summaries review questions and critical thinking questions help you consolidate learning after reading each chapter Quick Check questions in each chapter reinforce learning by prompting you to review what you have just read UNIQUE Comprehensive glossary includes more terms than in similar textbooks each with an easy pronunciation guide and simplified translation of word parts essential features for learning to use scientific and medical terminology NEW Updated content reflects more accurately the diverse spectrum of humanity NEW Updated chapters include Homeostasis Central Nervous System Lymphatic System Endocrine Regulation Endocrine Glands and Blood Vessels NEW Additional and updated Connect It articles on the Evolve website called out in the text help to illustrate clarify and apply concepts NEW Seven guided 3 D learning modules are included for Anatomy Physiology **Northeast Region Official Guide** ,1996

The Captivating World of E-book Books: A Detailed Guide Revealing the Pros of E-book Books: A World of Convenience and Versatility Kindle books, with their inherent portability and ease of access, have freed readers from the constraints of hardcopy books. Gone are the days of carrying bulky novels or meticulously searching for specific titles in shops. E-book devices, stylish and lightweight, seamlessly store an extensive library of books, allowing readers to indulge in their favorite reads whenever, everywhere. Whether commuting on a busy train, relaxing on a sun-kissed beach, or just cozying up in bed, Kindle books provide an exceptional level of convenience. A Reading World Unfolded: Exploring the Wide Array of E-book User Manual White Model 2037 User Manual White Model 2037 The E-book Store, a digital treasure trove of literary gems, boasts an wide collection of books spanning varied genres, catering to every readers preference and choice. From gripping fiction and mind-stimulating non-fiction to timeless classics and modern bestsellers, the E-book Shop offers an exceptional variety of titles to explore. Whether seeking escape through engrossing tales of imagination and exploration, diving into the depths of historical narratives, or expanding ones knowledge with insightful works of scientific and philosophy, the E-book Shop provides a doorway to a literary world brimming with endless possibilities. A Game-changing Force in the Bookish Landscape: The Enduring Influence of E-book Books User Manual White Model 2037 The advent of Kindle books has certainly reshaped the bookish landscape, introducing a paradigm shift in the way books are released, disseminated, and consumed. Traditional publishing houses have embraced the digital revolution, adapting their strategies to accommodate the growing need for e-books. This has led to a surge in the accessibility of Kindle titles, ensuring that readers have entry to a wide array of bookish works at their fingers. Moreover, E-book books have democratized access to books, breaking down geographical limits and offering readers worldwide with equal opportunities to engage with the written word. Irrespective of their location or socioeconomic background, individuals can now immerse themselves in the intriguing world of literature, fostering a global community of readers. Conclusion: Embracing the E-book Experience User Manual White Model 2037 Kindle books User Manual White Model 2037, with their inherent ease, versatility, and wide array of titles, have unquestionably transformed the way we encounter literature. They offer readers the freedom to explore the boundless realm of written expression, anytime, everywhere. As we continue to navigate the ever-evolving digital landscape, Kindle books stand as testament to the persistent power of storytelling, ensuring that the joy of reading remains accessible to all.

https://hersolutiongelbuy.com/About/detail/Download_PDFS/Unit%209%20Developmental%20Psychology%20Packet%20Study%20Guide.pdf

Table of Contents User Manual White Model 2037

1. Understanding the eBook User Manual White Model 2037
 - The Rise of Digital Reading User Manual White Model 2037
 - Advantages of eBooks Over Traditional Books
2. Identifying User Manual White Model 2037
 - Exploring Different Genres
 - Considering Fiction vs. Non-Fiction
 - Determining Your Reading Goals
3. Choosing the Right eBook Platform
 - Popular eBook Platforms
 - Features to Look for in an User Manual White Model 2037
 - User-Friendly Interface
4. Exploring eBook Recommendations from User Manual White Model 2037
 - Personalized Recommendations
 - User Manual White Model 2037 User Reviews and Ratings
 - User Manual White Model 2037 and Bestseller Lists
5. Accessing User Manual White Model 2037 Free and Paid eBooks
 - User Manual White Model 2037 Public Domain eBooks
 - User Manual White Model 2037 eBook Subscription Services
 - User Manual White Model 2037 Budget-Friendly Options
6. Navigating User Manual White Model 2037 eBook Formats
 - ePub, PDF, MOBI, and More
 - User Manual White Model 2037 Compatibility with Devices
 - User Manual White Model 2037 Enhanced eBook Features
7. Enhancing Your Reading Experience
 - Adjustable Fonts and Text Sizes of User Manual White Model 2037
 - Highlighting and Note-Taking User Manual White Model 2037
 - Interactive Elements User Manual White Model 2037
8. Staying Engaged with User Manual White Model 2037

- Joining Online Reading Communities
- Participating in Virtual Book Clubs
- Following Authors and Publishers User Manual White Model 2037
- 9. Balancing eBooks and Physical Books User Manual White Model 2037
 - Benefits of a Digital Library
 - Creating a Diverse Reading Collection User Manual White Model 2037
- 10. Overcoming Reading Challenges
 - Dealing with Digital Eye Strain
 - Minimizing Distractions
 - Managing Screen Time
- 11. Cultivating a Reading Routine User Manual White Model 2037
 - Setting Reading Goals User Manual White Model 2037
 - Carving Out Dedicated Reading Time
- 12. Sourcing Reliable Information of User Manual White Model 2037
 - Fact-Checking eBook Content of User Manual White Model 2037
 - Distinguishing Credible Sources
- 13. Promoting Lifelong Learning
 - Utilizing eBooks for Skill Development
 - Exploring Educational eBooks
- 14. Embracing eBook Trends
 - Integration of Multimedia Elements
 - Interactive and Gamified eBooks

User Manual White Model 2037 Introduction

Free PDF Books and Manuals for Download: Unlocking Knowledge at Your Fingertips In today's fast-paced digital age, obtaining valuable knowledge has become easier than ever. Thanks to the internet, a vast array of books and manuals are now available for free download in PDF format. Whether you are a student, professional, or simply an avid reader, this treasure trove of downloadable resources offers a wealth of information, conveniently accessible anytime, anywhere. The advent of online libraries and platforms dedicated to sharing knowledge has revolutionized the way we consume information. No longer confined to physical libraries or bookstores, readers can now access an extensive collection of digital books and

manuals with just a few clicks. These resources, available in PDF, Microsoft Word, and PowerPoint formats, cater to a wide range of interests, including literature, technology, science, history, and much more. One notable platform where you can explore and download free User Manual White Model 2037 PDF books and manuals is the internet's largest free library. Hosted online, this catalog compiles a vast assortment of documents, making it a veritable goldmine of knowledge. With its easy-to-use website interface and customizable PDF generator, this platform offers a user-friendly experience, allowing individuals to effortlessly navigate and access the information they seek. The availability of free PDF books and manuals on this platform demonstrates its commitment to democratizing education and empowering individuals with the tools needed to succeed in their chosen fields. It allows anyone, regardless of their background or financial limitations, to expand their horizons and gain insights from experts in various disciplines. One of the most significant advantages of downloading PDF books and manuals lies in their portability. Unlike physical copies, digital books can be stored and carried on a single device, such as a tablet or smartphone, saving valuable space and weight. This convenience makes it possible for readers to have their entire library at their fingertips, whether they are commuting, traveling, or simply enjoying a lazy afternoon at home. Additionally, digital files are easily searchable, enabling readers to locate specific information within seconds. With a few keystrokes, users can search for keywords, topics, or phrases, making research and finding relevant information a breeze. This efficiency saves time and effort, streamlining the learning process and allowing individuals to focus on extracting the information they need. Furthermore, the availability of free PDF books and manuals fosters a culture of continuous learning. By removing financial barriers, more people can access educational resources and pursue lifelong learning, contributing to personal growth and professional development. This democratization of knowledge promotes intellectual curiosity and empowers individuals to become lifelong learners, promoting progress and innovation in various fields. It is worth noting that while accessing free User Manual White Model 2037 PDF books and manuals is convenient and cost-effective, it is vital to respect copyright laws and intellectual property rights. Platforms offering free downloads often operate within legal boundaries, ensuring that the materials they provide are either in the public domain or authorized for distribution. By adhering to copyright laws, users can enjoy the benefits of free access to knowledge while supporting the authors and publishers who make these resources available. In conclusion, the availability of User Manual White Model 2037 free PDF books and manuals for download has revolutionized the way we access and consume knowledge. With just a few clicks, individuals can explore a vast collection of resources across different disciplines, all free of charge. This accessibility empowers individuals to become lifelong learners, contributing to personal growth, professional development, and the advancement of society as a whole. So why not unlock a world of knowledge today? Start exploring the vast sea of free PDF books and manuals waiting to be discovered right at your fingertips.

FAQs About User Manual White Model 2037 Books

What is a User Manual White Model 2037 PDF? A PDF (Portable Document Format) is a file format developed by Adobe that preserves the layout and formatting of a document, regardless of the software, hardware, or operating system used to view or print it. **How do I create a User Manual White Model 2037 PDF?** There are several ways to create a PDF: Use software like Adobe Acrobat, Microsoft Word, or Google Docs, which often have built-in PDF creation tools. **Print to PDF:** Many applications and operating systems have a "Print to PDF" option that allows you to save a document as a PDF file instead of printing it on paper. **Online converters:** There are various online tools that can convert different file types to PDF. **How do I edit a User Manual White Model 2037 PDF?** Editing a PDF can be done with software like Adobe Acrobat, which allows direct editing of text, images, and other elements within the PDF. Some free tools, like PDFescape or Smallpdf, also offer basic editing capabilities. **How do I convert a User Manual White Model 2037 PDF to another file format?** There are multiple ways to convert a PDF to another format: Use online converters like Smallpdf, Zamzar, or Adobe Acrobat's export feature to convert PDFs to formats like Word, Excel, JPEG, etc. Software like Adobe Acrobat, Microsoft Word, or other PDF editors may have options to export or save PDFs in different formats. **How do I password-protect a User Manual White Model 2037 PDF?** Most PDF editing software allows you to add password protection. In Adobe Acrobat, for instance, you can go to "File" -> "Properties" -> "Security" to set a password to restrict access or editing capabilities. **Are there any free alternatives to Adobe Acrobat for working with PDFs?** Yes, there are many free alternatives for working with PDFs, such as: LibreOffice: Offers PDF editing features. PDFsam: Allows splitting, merging, and editing PDFs. Foxit Reader: Provides basic PDF viewing and editing capabilities. **How do I compress a PDF file?** You can use online tools like Smallpdf, ILovePDF, or desktop software like Adobe Acrobat to compress PDF files without significant quality loss. Compression reduces the file size, making it easier to share and download. **Can I fill out forms in a PDF file?** Yes, most PDF viewers/editors like Adobe Acrobat, Preview (on Mac), or various online tools allow you to fill out forms in PDF files by selecting text fields and entering information. **Are there any restrictions when working with PDFs?** Some PDFs might have restrictions set by their creator, such as password protection, editing restrictions, or print restrictions. Breaking these restrictions might require specific software or tools, which may or may not be legal depending on the circumstances and local laws.

Find User Manual White Model 2037 :

[unit 9 developmental psychology packet study guide](#)

[unit chapter 1 origins of the cold war](#)

[unit 7 workbook answer](#)

unit operations of chemical engineering 7th edition solution manual

[unisa undergraduate prospectus 2014 15](#)

[unison slick mag 4771 manual tricia](#)

uniform plumbing code grease interceptor

[unit 1 lesson 2 answers permutations](#)

[unit 4 historical context of performance 440675](#)

[unit 2 ea 2 springboard answers](#)

unisa exam timetable 2015

[uniden powermax 24 ghz user manual](#)

[union pump parts manual](#)

[unit circle answer key unit 3 lesson 3](#)

[unit 3 sac 2 biology](#)

User Manual White Model 2037 :

mujeres que ya no sufren por amor casa del libro - Jan 08 2023

web una invitación a que hombres y mujeres se deshagan de sus antiguos roles de sus viejas penas y con ilusión y rebeldía avancen decididos hacia su libertad desembarazarse del mito del amor romántico no es fácil conlleva un proceso lento un viaje interior convulso pero también apasionante

download mujeres que ya no sufren por amor transformando el - Jul 14 2023

web may 21 2018 una invitación a que hombres y mujeres se deshagan de sus antiguos roles de sus viejas penas y con ilusión y rebeldía avancen decididos hacia su libertad desembarazarse del mito del amor romántico no es fácil conlleva un proceso lento un viaje interior convulso pero también apasionante

mujeres que ya no sufren por amor transformando el mito - Apr 11 2023

web mujeres que ya no sufren por amor transformando el mito romántico tapa blanda 17 abril 2018 edición en español de coral herrera gómez author

amazon es opiniones de clientes mujeres que ya no sufren por amor - Feb 26 2022

web vea reseñas y calificaciones de reseñas que otros clientes han escrito de mujeres que ya no sufren por amor transformando el mito romántico 677 coleccion mayor en amazon com lea reseñas de productos sinceras e imparciales de nuestros usuarios

mujeres que ya no sufren por amor transformando el mito romántico - Nov 06 2022

web may 21 2018 mujeres que ya no sufren por amor transformando el mito romántico coral herrera gómez coral herrera nos trata de mostrar a través de un corto ensayo además muy fácil de leer y entender cómo otro tipo de relaciones de pareja heterosexuales son posibles

mujeres que ya no sufren por amor transformando e - Dec 27 2021

web mujeres que ya no sufren por amor transformando e as recognized adventure as well as experience virtually lesson amusement as well as union can be gotten by just checking out a ebook mujeres que ya no sufren por amor transformando e after that it is not directly done you could acknowledge even more going on for this life vis vis the world

mujeres que ya no sufren por amor transformando el mito - Aug 03 2022

web en este momento mujeres de todo el mundo sufren por amor soñando con un modelo de hombre que no existe con una pareja ideal como tabla de salvación gracias a la educación recibida a la sociedad a los cuentos de hadas al cine de hollywood a la herencia religiosa a un larguísimo etcétera han conseguido volvernos adictas a la

mujeres que ya no sufren por amor transformando el mito - Oct 05 2022

web may 21 2018 0 reviews reviews aren t verified but google checks for and removes fake content when it s identified en este momento mujeres de todo el mundo sufren por amor soñando con un modelo de

mujeres que ya no sufren por amor transformando el mito - Mar 30 2022

web compre online mujeres que ya no sufren por amor transformando el mito romántico 677 de herrera gómez coral na amazon frete grÁtis em milhares de produtos com o amazon prime encuentre diversos livros escritos

mujeres que ya no sufren por amor on apple books - Sep 04 2022

web mujeres que ya no sufren por amor transformando el mito romántico coral herrera gómez 4 6 8 ratings 12 99 publisher description en este momento mujeres de todo el mundo sufren por amor soñando con un modelo de hombre que no existe con una pareja ideal como tabla de salvación gracias a la educación recibida a la sociedad

mujeres que ya no sufren por amor transformando el mito romántico 677 - Dec 07 2022

web de coral herrera gomez autor colaborador 4 3 1 039 valoraciones ver todos los formatos y ediciones en este momento mujeres de todo el mundo sufren por amor soñando con un modelo de hombre que no existe

mujeres que ya no sufren por amor transformando e rodrigo - Jan 28 2022

web mujeres que ya no sufren por amor coral herrera gómez 2018 05 21 en este momento mujeres de todo el mundo sufren por amor soñando con un modelo de hombre que no existe con una pareja ideal como tabla de salvación gracias a la

mujeres que ya no sufren por amor perlego - Jun 01 2022

web una invitación a que hombres y mujeres se deshagan de sus antiguos roles de sus viejas penas y con ilusión y rebeldía avancen decididos hacia su libertad desembarazarse del mito del amor romántico no es fácil conlleva un proceso lento un

viaje interior convulso pero también apasionante

mujeres que ya no sufren por amor catarata - Mar 10 2023

web may 21 2018 una invitación a que hombres y mujeres se deshagan de sus antiguos roles de sus viejas penas y con ilusión y rebeldía avancen decididos hacia su libertad desembarazarse del mito del amor romántico no es fácil conlleva un proceso lento un viaje interior convulso pero también apasionante

pdf mujeres que ya no sufren por amor transformando el mito - Aug 15 2023

web mujeres que ya no sufren por amor transf ale cab también coordina el laboratorio del amor una red social de mujeres y un taller permanente en torno a los estudios sobre las relaciones amorosas desde una perspectiva de género

mujeres que ya no sufren por amor transformando el mito romántico - Jul 02 2022

web jun 9 2018 mujeres que ya no sufren por amor transformando el mito romántico coral herrera gómez mi nuevo libro ya está a la venta en librerías y en internet editorial libros de la

mujeres que ya no sufren por amor transformando el mito - Feb 09 2023

web mujeres que ya no sufren por amor transformando el mito romántico herrera gómez coral amazon com tr

descargar mujeres que ya no sufren por amor transformando el - Apr 30 2022

web sinopsis epub pdf audible resumen de mujeres que ya no sufren por amor transformando el mito romántico de coral herrera qué tal desterrar de una vez por todas al príncipe azul de nuestras vidas o mejor dicho de nuestros sueños

mujeres que ya no sufren por amor transformando el mit - May 12 2023

web apr 1 2018 en este texto se expone la importancia del desaprender de desmitificar el amor la importancia del amor propio la decisión de amar y de soltar desde y por el amor las presiones sociales que se ejercen hacia las mujeres pero lo que más capto mi atención fue que coral afirmar que es sanador y valioso permitirse amar a otras

mujeres que ya no sufren por amor transformando el mito - Jun 13 2023

web apr 17 2018 mujeres que ya no sufren por amor transformando el mito romántico coral herrera gómez coral herrera nos trata de mostrar a través de un corto ensayo además muy fácil de leer y entender cómo otro tipo de relaciones de pareja heterosexuales son posibles

chem quest mr smith - May 12 2023

web chem quest 38 partial pressures chem quest 38 partial pressures last page unit 6 hw practice keys chemactivity 18 molecular shapes chemquest 27 molecular

chemquest 38 answer key tunxis community college - Oct 05 2022

web jan 15 2015 answer the questions that follow based on this chemical equation $\text{Na} + \text{MgCl}_2 \rightarrow \text{NaCl} + \text{Mg}$ why can't Na be produced because Na cannot bond with Mg

82 chemquest 28 name yumpu - Jul 02 2022

web chemquest 38 answer key if you ally dependence such a referred chemquest 38 answer key books that will present you worth acquire the unconditionally best seller

kami export energy and reactio notes pdf 133 chemquest 38 - Jun 13 2023

web when printing the chemquest or skill practice be carfull not to print the entire document select print current page chem quest answer keys skill practice answer keys

86 chemquest 29 name yumpu - Dec 27 2021

web jan 15 2015 compare your answers to questions 2 and 4 they are both approximately the same therefore it takes about 6.02×10^{23} atoms of carbon to equal the atomic

chemquest 39 41answers yumpu - Dec 07 2022

web make sure you understand each step 4.2×10^6 3.1×10^5 make exponents the same either a 5 or 6 4.2×10^5 3.1×10^5 4.5×10^4 5.1×10^6 7.3×10^7 2.0×10^8 make

answer key forming ions pdf 83 chemquest 23 name date - Feb 26 2022

web 8675 west crane road middleville mi 49333 phone 269 795 9877 fax 269 795 3481

home chemquest - Nov 25 2021

chemquestsanswers yumpu - Mar 10 2023

web chemquest 28 covalent bonds lewis structures file 12 20 17 skill practice 28 covalent bonds file 12 20 17 acids nomenclature packet file 5 types of chemical

chemquestsanswers studylib net - Jul 14 2023

web may 15 2021 133 chemquest 38 name date hour information potential energy potential energy is the energy that something has because of its

56 chemquest 18 name yumpu - Oct 25 2021

sslgdcll g ea1ue lths answers - Feb 09 2023

web 1 check your answers to yesterday s assignment using the answer key 2 view the video for yesterday s assignment 3 read objective 6 on the learning objectives sheet 4

22 chemquest 7 name yumpu - Aug 03 2022

web download chemquest 28 answer key filename speed downloads chemquest 28 answer key full 2751 kb s 4874 chemquest 28 answer key added by users 3777

90 chemquest 30 name yumpu - Sep 23 2021

information collecting gas over water roosevelt high school - Aug 15 2023

web which one was collected at the higher temperature gas a or gas b explain your answer gas a gas b water vapor water vapor gas b was collected at higher

chemquest 38 answer key download only - Mar 30 2022

web 86 chemquest 29 name 87 let us consider another example the equation you wrote in question two above $ca_3n_2nacl_2$ $cacl_2na_3$

hw keys roosevelt high school ap chemistry 2017 18 - Apr 11 2023

web chemquest 37 ssgdcll g e a1ue date hour i ntroduction questions Information subscripts and coefficients a subscript is a small number that tells you how many atoms

chemquest 38 answer key pdf copy tax clone ortax - Jan 28 2022

web jan 15 2015 page 37 and 38 37 chemquest 12 name page 39 and 40 39 critical thinking questions 6 h 143 9 consider your answers to que page 145 and

sample unit 1 chemistry 4 homeschool - Nov 06 2022

web jan 15 2015 answer the questions that fol page 85 and 86 85 two other types of reactions are page 87 and 88 87 let us consider another example 115 chemquest

chemquest 28 answer key answers for 2023 exams - Apr 30 2022

web chemquest 38 answer key pdf introduction chemquest 38 answer key pdf copy chemquest chemistry jason neil 2014 08 24 this chemistry text is used under

chemquest 38 answer key help environment harvard edu - Jun 01 2022

web view answer key forming ions pdf from chemistry 101 at skyline high front royal 83 chemquest 23 name date hour information ions figure 1 below are four bohr

course chemistry hemmert - Jan 08 2023

web jan 20 2023 kindly say the chemquest 38 answer key is universally compatible with any devices to read chemistry 2e springer this book addresses key issues concerning

chemquest 38 answer key verify meetcircle com - Sep 04 2022

web chemquest 38 answer key as recognized adventure as well as experience approximately lesson amusement as without difficulty as accord can be gotten by just checking out a

umgang mit sterbefasten fälle aus der praxis by christiane zur - Jan 28 2022

web yolculuk sırasında yanınızda bulunması gerekenler ayrı bir çantada yanınızda olacak şekilde fazladan insülin fazladan ikinci bir insülin kalemi veya insülin enjektörleri

amazon com customer reviews umgang mit sterbefasten fälle - Jun 01 2022

web apr 14 2023 umgang mit sterbefasten falle aus der praxis 1 8 downloaded from uniport edu ng on april 14 2023 by guest umgang mit sterbefasten falle aus der

umgang mit sterbefasten fälle aus der praxis ebook - Feb 09 2023

web umgang mit sterbefasten fälle aus der praxis finden sie alle bücher von bei der büchersuchmaschine eurobuch com können sie antiquarische und neubücher

sterbefasten als weg zu einem eigenverantwortlichen sterben - Nov 25 2021

umgang mit sterbefasten fälle aus der praxis google books - May 12 2023

web umgang mit sterbefasten fälle aus der praxis 06 10 2023 07 10 2023 jeweils 09 00 16 00 uhr palliative care multiprofessionell kommunikation lebens art und

umgang mit sterbefasten falle aus der praxis pdf - Apr 30 2022

web buchtipp umgang mit sterbefasten fälle aus der praxis was ist sterbefasten sterbefasten sterbebegleitung im erzbistum köln beispiel aus der praxis zum umgang

umgang mit sterbefasten fälle aus der praxis - Nov 06 2022

web 4 umgang mit sterbefasten falle aus der praxis 2022 10 18 gerbert van loenen zeigt warum er erläutert die historischen debatten zur legalisierung aktiver sterbehilfe in den

umgang mit sterbefasten fälle aus der praxis paperback - Sep 04 2022

web find helpful customer reviews and review ratings for umgang mit sterbefasten fälle aus der praxis german edition at amazon com read honest and unbiased product

umgang mit sterbefasten fälle aus der praxis richtig eurobuch - Dec 07 2022

web umgang mit sterbefasten fälle aus der praxis amazon com au books skip to main content com au hello select your address books hello sign in account lists returns

umgang mit sterbefasten falle aus der praxis - Jul 02 2022

web umgang mit sterbefasten fälle aus der praxis ayurveda amp kalari praxis berlin fortbildungsdetails tagung strebefasten 2018 palliative zh sh buchtipp umgang mit

umgang mit sterbefasten fälle aus der praxis palliativ und - Mar 10 2023

web umgang mit sterbefastenfälle aus der praxis isbn 9783863214289 zur nieden christiane zur nieden hans

christophkartoniert2 aufl deutsch2020 mabuse verlag

diyabet hastalarının uçuş öncesi ve esnasında yapması gerekenler - Oct 25 2021

umgang mit sterbefasten fälle aus der praxis amazon com tr - Jun 13 2023

web seit der veröffentlichung ihres erfolgsbuches sterbefasten in dem christiane zur nieden den prozess des sterbefastens ihrer mutter liebevoll und eindringlich schilderte haben

umgang mit sterbefasten fälle aus der praxis kindle - Jul 14 2023

web die geschichten zeigen dass auch medizinische laien die begleitung von sterbefastenden durchführen können und machen dabei deutlich wie individuell der prozess ablaufen

umgang mit sterbefasten fälle aus der praxis by christiane zur - Mar 30 2022

web 2 umgang mit sterbefasten falle aus der praxis 2021 02 15 verhüten gilt eine selbstbestimmte existenz wird mit selbstopтимierung gleichgesetzt und sei es auch um

umgang mit sterbefasten falle aus der praxis copy - Dec 27 2021

umgang mit sterbefasten fälle aus der praxis amazon fr - Oct 05 2022

web umgang mit sterbefasten falle aus der praxis core themes of land use politics apr 01 2020 the european faculty of land use and development is committed to an

umgang mit sterbefasten fälle aus der praxis - Jan 08 2023

web umgang mit sterbefasten fälle aus der praxis christiane zur nieden hans christoph zur nieden amazon fr livres

umgang mit sterbefasten falle aus der praxis pdf uniport edu - Feb 26 2022

web das sterbefasten ist der selbstbestimmte verzicht auf nahrung und flüssigkeit und so ein weg einen würdevollen tod in die eigene hand zu nehmen es erspart dem menschen

umgang mit sterbefasten mabuse verlag - Apr 11 2023

web may 29 2019 seit der ver 246 fentlichung ihres erfolgsbuches sterbefasten in dem christiane zur nieden den prozess des sterbefastens ihrer mutter liebevoll und

umgang mit sterbefasten falle aus der praxis download only - Aug 03 2022

web und einzelne fragen werden im laufe der zeit wiederholt gestellt dabei zeigt sich nicht zuletzt der wandel im umgang mit dem menschlichen leben von seinen anfängen bis

umgang mit sterbefasten fälle aus der praxis - Aug 15 2023

web umgang mit sterbefasten fälle aus der praxis christiane zur nieden hans christoph zur nieden amazon com tr kitap

