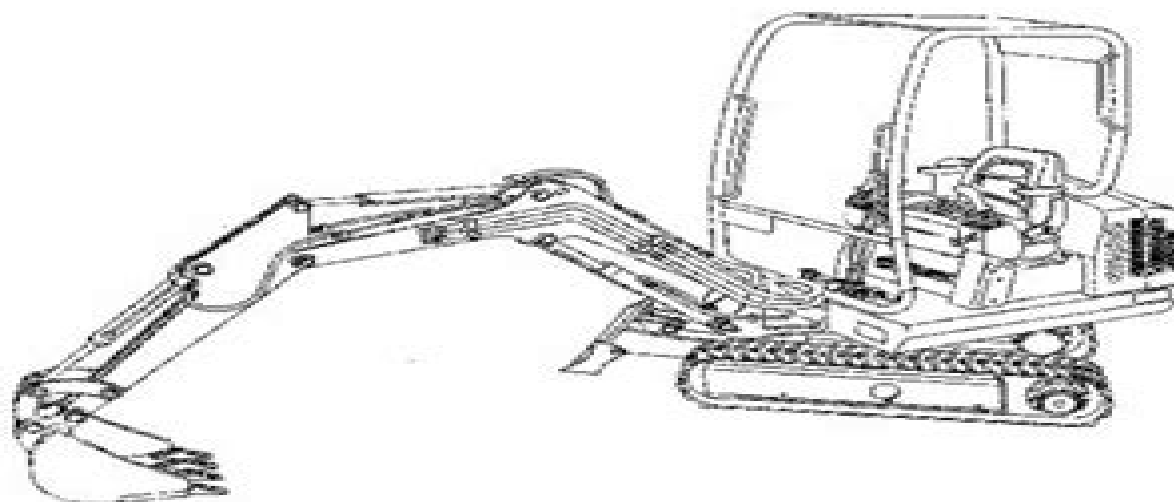


MINI EXCAVATOR
Models 516/520V

PARTS MANUAL



Scat Trak 520v Excavator Manual

SB Merriam



Scat Trak 520v Excavator Manual:

This is likewise one of the factors by obtaining the soft documents of this **Scat Trak 520v Excavator Manual** by online. You might not require more grow old to spend to go to the books establishment as well as search for them. In some cases, you likewise accomplish not discover the statement Scat Trak 520v Excavator Manual that you are looking for. It will entirely squander the time.

However below, following you visit this web page, it will be therefore agreed easy to acquire as with ease as download guide Scat Trak 520v Excavator Manual

It will not say you will many grow old as we run by before. You can realize it even though act out something else at house and even in your workplace. appropriately easy! So, are you question? Just exercise just what we meet the expense of under as capably as evaluation **Scat Trak 520v Excavator Manual** what you considering to read!

https://hersolutiongelbuy.com/public/scholarship/Download_PDFS/Personnel_Clerk_Study_Guide_Booklet.pdf

Table of Contents Scat Trak 520v Excavator Manual

1. Understanding the eBook Scat Trak 520v Excavator Manual
 - The Rise of Digital Reading Scat Trak 520v Excavator Manual
 - Advantages of eBooks Over Traditional Books
2. Identifying Scat Trak 520v Excavator Manual
 - Exploring Different Genres
 - Considering Fiction vs. Non-Fiction
 - Determining Your Reading Goals
3. Choosing the Right eBook Platform
 - Popular eBook Platforms
 - Features to Look for in an Scat Trak 520v Excavator Manual
 - User-Friendly Interface
4. Exploring eBook Recommendations from Scat Trak 520v Excavator Manual

- Personalized Recommendations
 - Scat Trak 520v Excavator Manual User Reviews and Ratings
 - Scat Trak 520v Excavator Manual and Bestseller Lists
5. Accessing Scat Trak 520v Excavator Manual Free and Paid eBooks
 - Scat Trak 520v Excavator Manual Public Domain eBooks
 - Scat Trak 520v Excavator Manual eBook Subscription Services
 - Scat Trak 520v Excavator Manual Budget-Friendly Options
 6. Navigating Scat Trak 520v Excavator Manual eBook Formats
 - ePub, PDF, MOBI, and More
 - Scat Trak 520v Excavator Manual Compatibility with Devices
 - Scat Trak 520v Excavator Manual Enhanced eBook Features
 7. Enhancing Your Reading Experience
 - Adjustable Fonts and Text Sizes of Scat Trak 520v Excavator Manual
 - Highlighting and Note-Taking Scat Trak 520v Excavator Manual
 - Interactive Elements Scat Trak 520v Excavator Manual
 8. Staying Engaged with Scat Trak 520v Excavator Manual
 - Joining Online Reading Communities
 - Participating in Virtual Book Clubs
 - Following Authors and Publishers Scat Trak 520v Excavator Manual
 9. Balancing eBooks and Physical Books Scat Trak 520v Excavator Manual
 - Benefits of a Digital Library
 - Creating a Diverse Reading Collection Scat Trak 520v Excavator Manual
 10. Overcoming Reading Challenges
 - Dealing with Digital Eye Strain
 - Minimizing Distractions
 - Managing Screen Time
 11. Cultivating a Reading Routine Scat Trak 520v Excavator Manual
 - Setting Reading Goals Scat Trak 520v Excavator Manual
 - Carving Out Dedicated Reading Time
 12. Sourcing Reliable Information of Scat Trak 520v Excavator Manual

- Fact-Checking eBook Content of Scat Trak 520v Excavator Manual
 - Distinguishing Credible Sources
13. Promoting Lifelong Learning
- Utilizing eBooks for Skill Development
 - Exploring Educational eBooks
14. Embracing eBook Trends
- Integration of Multimedia Elements
 - Interactive and Gamified eBooks

Scat Trak 520v Excavator Manual Introduction

In the digital age, access to information has become easier than ever before. The ability to download Scat Trak 520v Excavator Manual has revolutionized the way we consume written content. Whether you are a student looking for course material, an avid reader searching for your next favorite book, or a professional seeking research papers, the option to download Scat Trak 520v Excavator Manual has opened up a world of possibilities. Downloading Scat Trak 520v Excavator Manual provides numerous advantages over physical copies of books and documents. Firstly, it is incredibly convenient. Gone are the days of carrying around heavy textbooks or bulky folders filled with papers. With the click of a button, you can gain immediate access to valuable resources on any device. This convenience allows for efficient studying, researching, and reading on the go. Moreover, the cost-effective nature of downloading Scat Trak 520v Excavator Manual has democratized knowledge. Traditional books and academic journals can be expensive, making it difficult for individuals with limited financial resources to access information. By offering free PDF downloads, publishers and authors are enabling a wider audience to benefit from their work. This inclusivity promotes equal opportunities for learning and personal growth. There are numerous websites and platforms where individuals can download Scat Trak 520v Excavator Manual. These websites range from academic databases offering research papers and journals to online libraries with an expansive collection of books from various genres. Many authors and publishers also upload their work to specific websites, granting readers access to their content without any charge. These platforms not only provide access to existing literature but also serve as an excellent platform for undiscovered authors to share their work with the world. However, it is essential to be cautious while downloading Scat Trak 520v Excavator Manual. Some websites may offer pirated or illegally obtained copies of copyrighted material. Engaging in such activities not only violates copyright laws but also undermines the efforts of authors, publishers, and researchers. To ensure ethical downloading, it is advisable to utilize reputable websites that prioritize the legal distribution of content. When downloading Scat Trak 520v Excavator Manual, users should also consider the potential

security risks associated with online platforms. Malicious actors may exploit vulnerabilities in unprotected websites to distribute malware or steal personal information. To protect themselves, individuals should ensure their devices have reliable antivirus software installed and validate the legitimacy of the websites they are downloading from. In conclusion, the ability to download Scat Trak 520v Excavator Manual has transformed the way we access information. With the convenience, cost-effectiveness, and accessibility it offers, free PDF downloads have become a popular choice for students, researchers, and book lovers worldwide. However, it is crucial to engage in ethical downloading practices and prioritize personal security when utilizing online platforms. By doing so, individuals can make the most of the vast array of free PDF resources available and embark on a journey of continuous learning and intellectual growth.

FAQs About Scat Trak 520v Excavator Manual Books

1. Where can I buy Scat Trak 520v Excavator Manual books? Bookstores: Physical bookstores like Barnes & Noble, Waterstones, and independent local stores. Online Retailers: Amazon, Book Depository, and various online bookstores offer a wide range of books in physical and digital formats.
2. What are the different book formats available? Hardcover: Sturdy and durable, usually more expensive. Paperback: Cheaper, lighter, and more portable than hardcovers. E-books: Digital books available for e-readers like Kindle or software like Apple Books, Kindle, and Google Play Books.
3. How do I choose a Scat Trak 520v Excavator Manual book to read? Genres: Consider the genre you enjoy (fiction, non-fiction, mystery, sci-fi, etc.). Recommendations: Ask friends, join book clubs, or explore online reviews and recommendations. Author: If you like a particular author, you might enjoy more of their work.
4. How do I take care of Scat Trak 520v Excavator Manual books? Storage: Keep them away from direct sunlight and in a dry environment. Handling: Avoid folding pages, use bookmarks, and handle them with clean hands. Cleaning: Gently dust the covers and pages occasionally.
5. Can I borrow books without buying them? Public Libraries: Local libraries offer a wide range of books for borrowing. Book Swaps: Community book exchanges or online platforms where people exchange books.
6. How can I track my reading progress or manage my book collection? Book Tracking Apps: Goodreads, LibraryThing, and Book Catalogue are popular apps for tracking your reading progress and managing book collections. Spreadsheets: You can create your own spreadsheet to track books read, ratings, and other details.
7. What are Scat Trak 520v Excavator Manual audiobooks, and where can I find them? Audiobooks: Audio recordings of

- books, perfect for listening while commuting or multitasking. Platforms: Audible, LibriVox, and Google Play Books offer a wide selection of audiobooks.
8. How do I support authors or the book industry? Buy Books: Purchase books from authors or independent bookstores. Reviews: Leave reviews on platforms like Goodreads or Amazon. Promotion: Share your favorite books on social media or recommend them to friends.
 9. Are there book clubs or reading communities I can join? Local Clubs: Check for local book clubs in libraries or community centers. Online Communities: Platforms like Goodreads have virtual book clubs and discussion groups.
 10. Can I read Scat Trak 520v Excavator Manual books for free? Public Domain Books: Many classic books are available for free as they're in the public domain. Free E-books: Some websites offer free e-books legally, like Project Gutenberg or Open Library.

Find Scat Trak 520v Excavator Manual :

personnel clerk study guide booklet

[petit dictionnaire des deacutebats interdits mais leacutegaux](#)

persuasive writing example

peugeot 206 1999

[peugeot 302 service manual](#)

petersons guide to two year colleges

~~petites morsures entre amis les vires de chicago t~~

~~persuasive essay on drugs~~

~~petroleum economics editions technip~~

[peters solutions manual for elementary chemical engineering](#)

petmate automatic feeder manual

[peugeot 106 haynes service and repair manual](#)

[petrol engine guide](#)

[petite histoire de lexpeacuterimentation deacutemocratique](#)

peugeot 2maintenance guide

Scat Trak 520v Excavator Manual :**arm hammer liquid laundry detergent xtra liquid laundry detergent** - Oct 23 2023

web safety data sheet according to federal register vol 77 no 58 monday march 26 2012 rules and regulations revision date 01 12 2015 section 1 identification version 1 0 product identifier product form mixture product name arm hammer liquid laundry detergent xtra liquid laundry detergent intended use of the product

xtra liquid laundry detergent - Sep 22 2023

web product name xtra liquid laundry detergent product code s msds 083b recommended use laundry detergent product type mixture synonyms detergent manufactured by church dwight co inc 469 n harrison street princeton nj 08543 for further information please also consult our internet site churchdwright com 2

xtra calypso fresh liquid detergent xtra laundry - Nov 12 2022

web xtra calypso fresh liquid laundry detergent xtra calypso fresh has bright tropical notes to turn up the freshness of your laundry hints of delicious mango and pineapple infused with plumeria and lilac will have you

xtra laundry - May 06 2022

web laundry these days means using the xtra liquid laundry detergent plus oxiclean stain fighters now that summer has arrived i need alllll the help i can get ari says hurray for days when we don t forget to take the laundry out of the dryer and got it clean and fresh on the first round bonus points if the load smells like summer

xtra liquid laundry detergent msds cyberlab sutd edu sg - Mar 04 2022

web xtra liquid laundry detergent msds beet sugar handbook sep 30 2021 the first all in one reference for the beet sugar industry beet sugar handbook is a practical and concise reference for technologists chemists farmers and

tma synergy xtra laundry detergent page 1 of 2 safety data - May 18 2023

web section 1 identification name tma synergy xtra laundry detergent date issued 4 24 15 other name n a tma code tm10833 recommended use commercial laundry detergent supplier information technical marketing alliance 2335 buttermilk crossing crescent springs ky 41017 emergency telephone 800 424 9300 product information

xtra summer fiesta liquid detergent xtra laundry - Sep 10 2022

web xtra summer fiesta s dazzling top notes of orchard fruits like apples peaches and melon mingle with cheerful florals like lily and gardenia you just might find yourself looking forward to laundry day now that s something to celebrate works in standard high efficiency he washing machines available sizes 48 loads 57 6oz ingredients

xtratm liquid laundry detergent na ghs 2015 - Aug 21 2023

web xtratm liquid laundry detergent na ghs 2015 safety data sheet according to federal register vol 77 no 58 monday march 26 2012 rules and regulations and according to the hazardous products regulation february 11 2015 revision date 08 26 2022

date of issue 12 20 2017 supersedes date 07 01 2022 version 4 0

arm hammertm liquid laundry detergent xtratm liquid webstaurantstore - Apr 17 2023

web arm hammertm liquid laundry detergent xtratm liquid laundry detergent safety data sheet according to federal register vol 77 no 58 monday march 26 2012 rules and regulations and according to the hazardous products regulation february 11 2015

iclean clean is a lifestyle - Jul 08 2022

web material safety data sheet komplek indusfri taman tekno blok h 2 no 22 tangerang banten 15314 tip 021 758 76 888 fax 758 73 111 bsd city

amazon web services - Aug 09 2022

web created date 9 12 2005 1 26 57 pm

xtra plus oxiclean liquid detergent xtra laundry - Oct 11 2022

web 1 place container on its side with the spout facing down turn the vent cap counter clockwise to vent push button to dispense 2 pre treat for best results wet fabric and apply detergent onto spots and tough stains rub gently wait 5 10 minutes then wash as directed always test an inside seam for colorfastness 3

download free xtra liquid laundry detergent msds - Apr 05 2022

web xtra liquid laundry detergent msds performance tests of a liquid laundry soap used with textile materials by f r mc gowan f w smither charles w schoffstall dec 09 2021 summary of patric richardson s laundry love jul 04 2021 buy now to get the main key ideas from patric richardson s laundry love patric richardson loves

xtra mountain rain liquid detergent xtra laundry - Dec 13 2022

web ingredients water sodium carbonate sodium laureth sulfate c12 13 pareth 2 c10 16 pareth or c12 15 alcohols ethoxylated sodium c10 16 alkylbenzenesulfonate acrylic acid homopolymer disodium distyrylbiphenyl disulfonate sodium chloride sodium hydroxide pentasodium dpta colorants fragrances directions 48 116 loads

xtra liquid laundry detergent mountain rain 09 10 2020 - Jan 14 2023

web sep 10 2020 ingredients and health effects information are taken from the manufacturer s product label and or the safety data sheet sds products are not tested and manufacturer s information presented here is not evaluated by delima associates view safety data sheet sds sds date september 10 2020 warnings

xtra liquid laundry detergent msds msdsdigital com search - Mar 16 2023

web xtra liquid laundry detergent msds the new sds required by osha are being added daily to check for a newer version of a safety data sheet search our free msds online database

xtra 315 oz tropical passion liquid laundry detergent sds - Jul 20 2023

web 07 27 2018 en english us 1 7 section 1 identification product identifier product form mixture product name extra tm liquid laundry detergent select variants product code 40500682 40500683 40500686 40500681 40501087 42000039 40501332 40500685 synonyms extra tm liquid laundry detergent mountain rain
[extra tropical passion liquid detergent extra laundry](#) - Jun 07 2022

web ingredients water sodium carbonate sodium laureth sulfate c12 13 pareth 2 c10 16 pareth or c12 15 alcohols ethoxylated sodium c10 16 alkylbenzenesulfonate acrylic acid homopolymer disodium distyrylbiphenyl disulfonate sodium chloride sodium hydroxide pentasodium dpta colorants fragrances directions 48 84 and 116 loads

iclean clean is a lifestyle - Feb 15 2023

web extra product name lx detergent u n number 1219 dangerous goods class physical description properties clear dark blue liquid sg 1 01 1 04 ph 6 0 3 hazardous ingredients chemical entity alcohol ethoxylate isopropyl alcohol proportion 10 15 health hazard information health

[extra laundry detergent msds msdsdigital.com](#) - Jun 19 2023

web extra laundry detergent msds special notice our database is made up of both msds and sds carefully review the msds below to see if it is the version you are looking for

[mark scheme results november 2011 pearson qualifications](#) - Aug 16 2023

web jan 12 2012 mark scheme results november 2011 mark scheme results november 2011 gcse biology 5bi1h 01 edexcel is one of the leading examining and awarding bodies in the uk and throughout the world we provide a wide range of qualifications including academic vocational occupational and specific programmes for

[mark scheme results november 2011 pearson qualifications](#) - Apr 12 2023

web jan 12 2012 accuracy mark is lost but any method marks can be awarded 12 parts of questions unless allowed by the mark scheme the marks allocated to one part of the question cannot be awarded in another 13 range of answers unless otherwise stated when an answer is given as a range e.g. 3 5 4 2 then this is inclusive of the end points

[mark scheme results november 2011 pearson qualifications](#) - May 13 2023

web jan 12 2012 mark scheme results november 2011 mark scheme results november 2011 gcse biology 5bi1f 01 edexcel is one of the leading examining and awarding bodies in the uk and throughout the world we provide a wide range of qualifications including academic vocational occupational and specific programmes for

mark scheme results november 2011 maths genie - Jan 09 2023

web mark scheme results november 2011 gcse mathematics 1380 paper 4h edexcel is one of the leading examining and awarding bodies in the uk and throughout the world we provide a wide range of qualifications including academic vocational occupational and specific programmes for employers

[mark scheme results november 2011 mathsgeeks](#) - Nov 07 2022

web accuracy mark is lost but any method marks can be awarded 12 parts of questions unless allowed by the mark scheme the marks allocated to one part of the question cannot be awarded in another 13 range of answers unless otherwise stated when an answer is given as a range e g 3 5 4 2 then this is inclusive of the end points e g 3 5 4 2

mark scheme results november 2011 physics maths tutor - Jun 02 2022

web mark scheme results november 2011 mark scheme results november 2011 modular mathematics gcse unit 2 5mb2f 01 foundation edexcel is one of the leading examining and awarding bodies in the uk and throughout the world

mark scheme results november 2011 st lukes devon sch uk - Oct 06 2022

web mark scheme results november 2011 edexcel is one of the leading examining and awarding bodies in the uk and throughout the world we provide a wide range of qualifications including academic vocational occupational and specific programmes for employers unless allowed by the mark scheme the marks allocated to one part of

mark scheme results november 2011 intuitioncentres com - Aug 04 2022

web mark scheme results november 2011 modular mathematics gcse edexcel is one of the leading examining and awarding bodies in the uk and throughout the world we provide a wide range of qualifications including academic vocational occupational and specific programmes for employers unless allowed by the mark scheme the marks

mark scheme results november 2011 physics maths tutor - Jan 29 2022

web mark scheme results november 2011 mark scheme results november 2011 gcse chemistry 5ch1f 01 edexcel is one of the leading examining and awarding bodies in the uk and throughout the world we provide a wide range of qualifications including academic vocational occupational and specific programmes for employers

[mark scheme results november 2011 webflow](#) - Jul 03 2022

web mark scheme results november 2011 functional skills mathematics level 2 fsm02 edexcel is one of the leading examining and awarding bodies in the uk and throughout the world we provide a wide range of qualifications including academic vocational occupational and specific programmes for employers

mark scheme results november 2021 pearson qualifications - Feb 27 2022

web jan 13 2022 mark scheme results november 2021 pearson edexcel gcse in mathematics 1ma1 foundation calculator paper 2f edexcel and btec qualifications edexcel and btec qualifications are awarded by pearson the uk s largest awarding body we provide a wide range of qualifications including academic vocational occupational

[mark scheme results november 2011 mathsgeeks](#) - Dec 08 2022

web mark scheme results november 2011 edexcel is one of the leading examining and awarding bodies in the uk and throughout the world we provide a wide range of qualifications including academic vocational occupational and specific

programmes for employers unless allowed by the mark scheme the marks allocated to one part of
[mark scheme results november 2011 access tuition](#) - Sep 05 2022

web nov 3 2020 mark scheme results november 2011 mark scheme results november 2011 gcse chemistry 5ch1h 01 edexcel is one of the leading examining and awarding bodies in the uk and throughout the world we provide a wide range of qualifications including academic vocational occupational and specific programmes for

mark scheme results november 2021 pearson qualifications - Mar 31 2022

web jan 13 2022 mark scheme results november 2021 pearson edexcel gcse in mathematics 1ma1 foundation non calculator paper 1f edexcel and btec qualifications edexcel and btec qualifications are awarded by

mark scheme results november 2011 pearson qualifications - Mar 11 2023

web mark scheme results november 2011 applications of mathematics gcse unit 1 5am1h 01 higher edexcel is one of the leading examining and awarding bodies in the uk and throughout the world we provide a wide range of qualifications including academic vocational occupational and specific programmes for employers

[mark scheme results november 2011 pearson qualifications](#) - Jul 15 2023

web jan 12 2012 mark scheme results november 2011 mark scheme results november 2011 gcse physics 5ph1f 01 edexcel is one of the leading examining and awarding bodies in the uk and throughout the world we provide a wide range of qualifications including academic vocational occupational and specific programmes for

mark scheme results november 2011 pearson qualifications - Feb 10 2023

web november 2011 applications of mathematics gcse unit 2 5am2h 01 higher edexcel is one of the leading examining and awarding bodies in the uk and throughout the world we provide a wide range of qualifications including academic vocational occupational and specific programmes for employers

mark scheme results november 2020 pearson qualifications - May 01 2022

web feb 11 2021 mark scheme results november 2020 pearson edexcel international gcse mathematics a 4ma1 paper 2f edexcel and btec qualifications edexcel and btec qualifications are awarded by pearson the uk s largest awarding body

[mark scheme results november 2011 pearson qualifications](#) - Jun 14 2023

web jan 12 2012 mark scheme results november 2011 gcse chemistry 5ch1f 01 mark scheme november 2011 question number answer acceptable answers mark 1 a ii a 1 question email publication orders edexcel com order code ug029803 november 2011 for more information on edexcel qualifications please visit

mark scheme results november 2011 top levels - Dec 28 2021

web ask the expert can be accessed online at the following link edexcel com aboutus contact us november 2011 publications code ug029760 all the material in this publication is copyright pearson education ltd 2011 notes on marking principles all

candidates must receive the same treatment

mary mother of god ppt slideshare - Jun 21 2022

web oct 8 2015 mary mother of god download as a pdf or view online for free

mary mother of god part 1 teaching resources - Sep 05 2023

web nov 23 2018 mary is truly the mother of christ and the church which is us she was the first believer the purest creature god ever made and we are called to say yes to god as she did at the annunciation and throughout her earthly life this powerpoint has certain transitions within it and contains some teachers notes part 2 3 will soon be posted

mary mother of jesus facts for kids kids encyclopedia - Aug 24 2022

web oct 16 2023 mary mother of jesus facts for kids kids encyclopedia facts the virgin mary mother of jesus by taddeo gaddi in the 14th century in abrahamic religions mary judeo aramaic מרים maryām bitter arabic مريم maryam septuagint greek Μαριαμ mariam Μαρια maria syriac mart maryam was the mother of jesus

ppt mary the mother of god powerpoint presentation free - May 21 2022

web jan 3 2020 mary mother of god queen of all saints mary mother of god queen of all saints table of contents s1 title page s2 table of contents s3 why is she a saint s4 birth facts s5 patronages s6 feast day s7 birth and death s8 early life s9 the purification s10 prayers for saint mary s11 interesting facts 407 views 13 slides

mary mother of god mother to all my catholic kids - Jul 03 2023

web jan 1 2018 the solemnity of mary mother of god is a special time to celebrate the motherhood of mary and the special grace she had in being the mother of god the title mother of god comes from the word theotokos which means god bearer mary mother of god is our first saint for this year s saint subscription

catholic may is the month of mary teacher made twinkl - Aug 04 2023

web may 16 2020 teachers in roman catholic schools will find this powerpoint invaluable during may to teach early level children normally those in nursery and primary 1 about why the catholic church dedicates the month of may every year to honouring mary the mother of jesus christ

may is the month of mary powerpoint teacher made twinkl - Nov 26 2022

web you can use our may is the month of mary powerpoint to find out more about how mary is honoured during the month of may this powerpoint is ideal for religious education lessons with junior and senior infants this may is the month of mary powerpoint includes information about where you can find a may altar what to put on a may altar

mary mother of god powerpoint for children 2022 db csda - Mar 19 2022

web for the right ordering and development of devotion to the blessed virgin mary the nature of christ the future of the global church playing on re staging the passion after the death of god mary mother of god powerpoint for children

downloaded from db csda org by guest nylah kerr christology image this teacher s wraparound

mary mother of god powerpoint for children - Feb 15 2022

web could enjoy now is mary mother of god powerpoint for children below rediscover the rosary matthew kelly 2017 we live hectic lives in a chaotic world all this can lead to confusion that fogs the mind unsettles the soul and leads to poor decisions amidst such chaos and confusion our souls yearn for peace and clarity we

mary our mother powerpoint saint mary s press - Oct 06 2023

web this powerpoint is part of the living in christ series it introduces and familiarizes students with mary the mother of god and our mother through images scripture and reflection questions

slide 1 - Feb 27 2023

web mary was a mother who knew her son she was concerned for others mary saw that the couple had run out of wine at the wedding feast in cana she asked her son to do something it was his first public miracle he responded when she asked him to help them image in public domain

[mary mother of god teaching catholic kids](#) - Mar 31 2023

web advertisement mary mother of god solemnity of mary renata sedmakova shutterstock today jan 1 the octave of christmas ends with the celebration of the solemnity of mary the holy mother of god it is a holy day of obligation except the obligation for catholics in the united states is lifted when the feast falls on a saturday or monday

275 top mary mother of jesus teaching resources curated for you twinkl - Sep 24 2022

web explore more than 275 mary mother of jesus resources for teachers parents and pupils as well as related resources on mary mother of jesus powerpoint help instantly access twinkl s printable and digital k 12 teaching resources including worksheets ebooks games powerpoints google slides and more

287 top mary mother of jesus teaching resources curated for you twinkl - May 01 2023

web mary the mother of god mind map activity sheets mary our mother display borders 5 0 1 review feast day of the nativity of the blessed virgin mary powerpoint 5 0 1 review mary display bunting catholic how to make a basket for a may procession people who helped jesus during his journey to the cross activity

unit 6 mary the mother of god and our mother sophia - Jun 02 2023

web the angel gabriel appeared to mary and announced that by the power of the holy spirit she would conceive in her womb the son of god and name him jesus to this astounding news mary gave her fiat or her yes by saying i am the handmaiden of the lord may it be done to me according to your word

mary mother of god by holly ppt slideshare - Jul 23 2022

web feb 26 2012 mary mary was a great mary had baby jesus mother to jesus not because she believed in just because he

was the god so purely that she son of god but knew whatever god because she was a said was best even if it loving and caring was to have his son person because she was such a nice person god sent the angel gabriel

catholic may is the month of mary song and resources twinkl - Jan 29 2023

web use this beautifully designed powerpoint to teach early level learners about mary the mother of jesus christ and celebrations that honour her throughout the month of may this powerpoint provides you with everything you need to teach your class about marian celebrations which take place in may such as may devotions may crowning may is the

the story of mary mother of god slideserve - Oct 26 2022

web aug 28 2014 the story of mary mother of god mary s life journey mary s birth mary was born in jerusalem she would have been educated at the temple with all the other jewish children mary at school during this time mary took a vow of chastity virginity she was also visited by angels slideshow

free mary mother of god activities prayers month of mary - Dec 28 2022

web apr 13 2023 download the mary mother of god kit in english or spanish now mary our model of discipleship mary grew up learning about the promise of the messiah when she was a young girl mary was engaged to a man named joseph

the role of mary the mother of god slideserve - Apr 19 2022

web jul 27 2014 mary the blessed virgin the mother of god mother of jesus wife of st joseph and the greatest of all christian saints the virgin mother was after her son exalted by divine grace above all angels and men