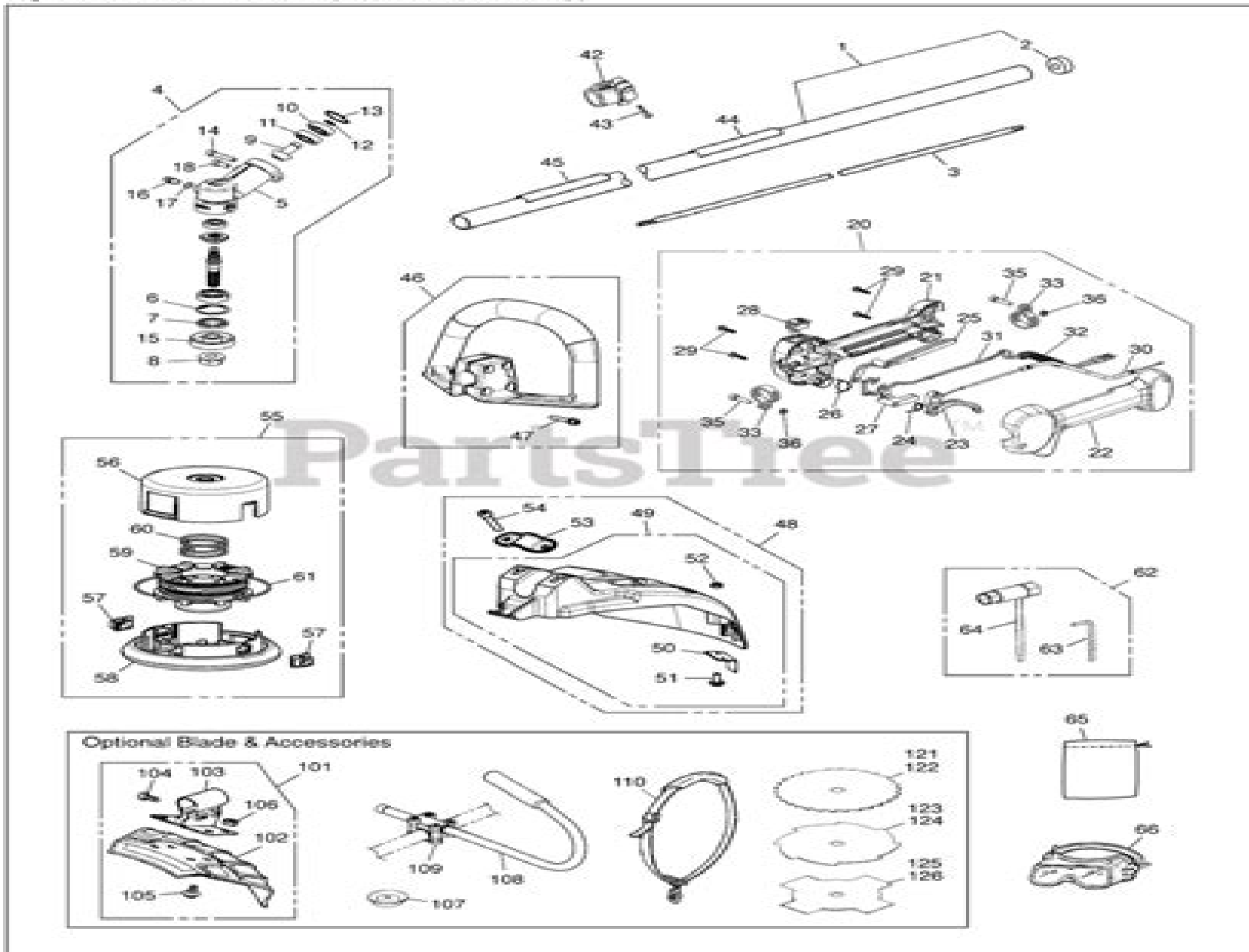


14. Parts list**Fig.1 DRIVE UNIT TR2350S (S/N 90200101 and up)**

Redmax Tech Manual

Institute of Radio Engineers



Redmax Tech Manual:

Small Gas Engine Repair, Fourth Edition Paul Dempsey, 2017-05-26 Publisher's Note Products purchased from Third Party sellers are not guaranteed by the publisher for quality authenticity or access to any online entitlements included with the product Save money by performing your own small engine maintenance and repair jobs Fully updated to reflect the latest technologies this best selling guide shows how to troubleshoot and repair the engines found in household devices including lawnmowers garden tractors portable generators and handheld tools Written by a master mechanic Small Gas Engine Repair Fourth Edition provides easy to follow fully illustrated instructions for complicated diagnostic and repair procedures The book suggests money saving alternatives to expensive factory tools and overpriced replacement parts You will gain access to valuable Internet resources as well as shortcuts field fixes and other tricks of the trade that working mechanics use on the job You'll find coverage of Basics Troubleshooting Ignition and related systems Fuel systems Rewind starters Electrical systems Engine mechanical Two and four cycle engines Diaphragm carburetors Electronic fuel injection And much more

Mergent International Manual, 2009 The Science Teacher, 1988-04 *String Trimmer and Blower* Intertec Publishing Corporation, 1992 Provides detailed information on how to operate maintain and repair string trimmers and blowers the following manufacturers of electric and gasoline powered string trimmers and blowers are covered Alpina Black specific repair instructions for string trimmer and blower gasoline engines are covered for the following manufacturers John Deere Echo Efcó Fuji Homelite Husqvarna IDC Kawasaki Kioritz Komatsu McCulloch Mitsubishi Piston Powered Products Poulan Sachs Dolmar Shindaiwa Stihl Tanaka TAS Tecumseh TML Trail Page 4 of cover *Real-resumes for Supply & Logistics Jobs* Anne McKinney, 2006 If you've been working in a specialized field like supply or logistics you really yearn to see sample resumes and cover letters of job hunters who have a similar background to yours These resumes and cover letters were used in real job campaigns and they speak the language of supply and logistics You will gain insights into how to use the specialized language of supply and logistics and actually translate technical concepts of the supply and logistics field into language that can be easily understood Information Control Problems in Manufacturing Technology 1989 E.A. Puente, L. Nemes, 2014-06-28 The Symposium presented and discussed the latest research on new theories and advanced applications of automatic systems which are developed for manufacturing technology or are applicable to advanced manufacturing systems The topics included computer integrated manufacturing simulation and the increasingly important areas of artificial intelligence and expert systems and applied them to the broad spectrum of problems that the modern manufacturing engineer is likely to encounter in the design and application of increasingly complex automatic systems *Start Your Own Lawn Care Business* Entrepreneur Press, 2003-12-01 Lawn Care Services Generate Plenty of Green Here's How You Can Reap the Rewards The Lawn care business of today is a far cry from the days of the kid down the block with a push mower In fact the lawn care market is a 17 billion industry With all the homes business parks apartment complexes shopping malls and

hospitals that need landscaping It s easy to see why this is one business where you can really rake in the green Your business can be as simple as mowing and edging lawns raking leaves and clipping hedges to applying chemical and fertilizers Our book will tell you everything you need to know to get started in the lawn care business Topics covered include How to target your market What equipment you ll need How to hire and manage employees Record keeping and accounting Where to find working capital How to estimate jobs And more If you like working outdoors you owe it to yourself to buy this step by step guide and start building your own successful lawn service business

Timber Harvesting ,2000 **Proceedings of the IRE**. Institute of Radio Engineers,1955 **AB Bookman's Weekly** ,1993 *Tree Care Industry* ,2005 **Popular Science** ,1989-12 Popular Science gives our readers the information and tools to improve their technology and their world The core belief that Popular Science and our readers share The future is going to be better and science and technology are the driving forces that will help make it better **Studio Sound** ,1998 *Arborist News* ,2003 2008 Massimo Mastrogregori,2012-12-19 Die International Bibliographiy of Historical Sciences verzeichnet j hrlich die bedeutendsten Neuerscheinungen geschichtswissenschaftlicher Monographien und Zeitschriftenartikel weltweit die inhaltlich von der Vor und Fr hgeschichte bis zur j ngsten Vergangenheit reichen Sie ist damit die derzeit einzige laufende Bibliographie dieser Art die thematisch zeitlich und geographisch ein derart breites Spektrum abdeckt Innerhalb der systematischen Gliederung nach Zeitalter Region oder historischer Disziplin sind die Werke nach Autorennamen oder charakteristischem Titelhauptwort aufgelistet Solar Age ,1979 **Deutsche Apotheker-Zeitung** ,1903 Vols 42 48 include Nachrichtenblatt der deutschen Pharmazeutenschaft later Jungapotheker 1927 June 1933 **Metal Progress** ,1947 **American Book Publishing Record** ,1977-03-31 Here s quick access to more than 490 000 titles published from 1970 to 1984 arranged in Dewey sequence with sections for Adult and Juvenile Fiction Author and Title indexes are included and a Subject Guide correlates primary subjects with Dewey and LC classification numbers These cumulative records are available in three separate sets

Apotheker-Zeitung ,1903

Thank you entirely much for downloading **Redmax Tech Manual**. Most likely you have knowledge that, people have seen numerous times for their favorite books taking into consideration this Redmax Tech Manual, but stop going on in harmful downloads.

Rather than enjoying a good book when a mug of coffee in the afternoon, instead they juggled in the same way as some harmful virus inside their computer. **Redmax Tech Manual** is easy to get to in our digital library an online entrance to it is set as public for that reason you can download it instantly. Our digital library saves in combination countries, allowing you to get the most less latency period to download any of our books behind this one. Merely said, the Redmax Tech Manual is universally compatible following any devices to read.

https://hersolutiongelbuy.com/files/Resources/Documents/order_of_rational_numbers_answer_sheet.pdf

Table of Contents Redmax Tech Manual

1. Understanding the eBook Redmax Tech Manual
 - The Rise of Digital Reading Redmax Tech Manual
 - Advantages of eBooks Over Traditional Books
2. Identifying Redmax Tech Manual
 - Exploring Different Genres
 - Considering Fiction vs. Non-Fiction
 - Determining Your Reading Goals
3. Choosing the Right eBook Platform
 - Popular eBook Platforms
 - Features to Look for in an Redmax Tech Manual
 - User-Friendly Interface
4. Exploring eBook Recommendations from Redmax Tech Manual
 - Personalized Recommendations
 - Redmax Tech Manual User Reviews and Ratings

- Redmax Tech Manual and Bestseller Lists
- 5. Accessing Redmax Tech Manual Free and Paid eBooks
 - Redmax Tech Manual Public Domain eBooks
 - Redmax Tech Manual eBook Subscription Services
 - Redmax Tech Manual Budget-Friendly Options
- 6. Navigating Redmax Tech Manual eBook Formats
 - ePub, PDF, MOBI, and More
 - Redmax Tech Manual Compatibility with Devices
 - Redmax Tech Manual Enhanced eBook Features
- 7. Enhancing Your Reading Experience
 - Adjustable Fonts and Text Sizes of Redmax Tech Manual
 - Highlighting and Note-Taking Redmax Tech Manual
 - Interactive Elements Redmax Tech Manual
- 8. Staying Engaged with Redmax Tech Manual
 - Joining Online Reading Communities
 - Participating in Virtual Book Clubs
 - Following Authors and Publishers Redmax Tech Manual
- 9. Balancing eBooks and Physical Books Redmax Tech Manual
 - Benefits of a Digital Library
 - Creating a Diverse Reading Collection Redmax Tech Manual
- 10. Overcoming Reading Challenges
 - Dealing with Digital Eye Strain
 - Minimizing Distractions
 - Managing Screen Time
- 11. Cultivating a Reading Routine Redmax Tech Manual
 - Setting Reading Goals Redmax Tech Manual
 - Carving Out Dedicated Reading Time
- 12. Sourcing Reliable Information of Redmax Tech Manual
 - Fact-Checking eBook Content of Redmax Tech Manual
 - Distinguishing Credible Sources

13. Promoting Lifelong Learning
 - Utilizing eBooks for Skill Development
 - Exploring Educational eBooks
14. Embracing eBook Trends
 - Integration of Multimedia Elements
 - Interactive and Gamified eBooks

Redmax Tech Manual Introduction

Free PDF Books and Manuals for Download: Unlocking Knowledge at Your Fingertips In today's fast-paced digital age, obtaining valuable knowledge has become easier than ever. Thanks to the internet, a vast array of books and manuals are now available for free download in PDF format. Whether you are a student, professional, or simply an avid reader, this treasure trove of downloadable resources offers a wealth of information, conveniently accessible anytime, anywhere. The advent of online libraries and platforms dedicated to sharing knowledge has revolutionized the way we consume information. No longer confined to physical libraries or bookstores, readers can now access an extensive collection of digital books and manuals with just a few clicks. These resources, available in PDF, Microsoft Word, and PowerPoint formats, cater to a wide range of interests, including literature, technology, science, history, and much more. One notable platform where you can explore and download free Redmax Tech Manual PDF books and manuals is the internet's largest free library. Hosted online, this catalog compiles a vast assortment of documents, making it a veritable goldmine of knowledge. With its easy-to-use website interface and customizable PDF generator, this platform offers a user-friendly experience, allowing individuals to effortlessly navigate and access the information they seek. The availability of free PDF books and manuals on this platform demonstrates its commitment to democratizing education and empowering individuals with the tools needed to succeed in their chosen fields. It allows anyone, regardless of their background or financial limitations, to expand their horizons and gain insights from experts in various disciplines. One of the most significant advantages of downloading PDF books and manuals lies in their portability. Unlike physical copies, digital books can be stored and carried on a single device, such as a tablet or smartphone, saving valuable space and weight. This convenience makes it possible for readers to have their entire library at their fingertips, whether they are commuting, traveling, or simply enjoying a lazy afternoon at home. Additionally, digital files are easily searchable, enabling readers to locate specific information within seconds. With a few keystrokes, users can search for keywords, topics, or phrases, making research and finding relevant information a breeze. This efficiency saves time and effort, streamlining the learning process and allowing individuals to focus on extracting the information they need. Furthermore, the availability of free PDF books and manuals fosters a culture of continuous learning. By removing

financial barriers, more people can access educational resources and pursue lifelong learning, contributing to personal growth and professional development. This democratization of knowledge promotes intellectual curiosity and empowers individuals to become lifelong learners, promoting progress and innovation in various fields. It is worth noting that while accessing free Redmax Tech Manual PDF books and manuals is convenient and cost-effective, it is vital to respect copyright laws and intellectual property rights. Platforms offering free downloads often operate within legal boundaries, ensuring that the materials they provide are either in the public domain or authorized for distribution. By adhering to copyright laws, users can enjoy the benefits of free access to knowledge while supporting the authors and publishers who make these resources available. In conclusion, the availability of Redmax Tech Manual free PDF books and manuals for download has revolutionized the way we access and consume knowledge. With just a few clicks, individuals can explore a vast collection of resources across different disciplines, all free of charge. This accessibility empowers individuals to become lifelong learners, contributing to personal growth, professional development, and the advancement of society as a whole. So why not unlock a world of knowledge today? Start exploring the vast sea of free PDF books and manuals waiting to be discovered right at your fingertips.

FAQs About Redmax Tech Manual Books

What is a Redmax Tech Manual PDF? A PDF (Portable Document Format) is a file format developed by Adobe that preserves the layout and formatting of a document, regardless of the software, hardware, or operating system used to view or print it. **How do I create a Redmax Tech Manual PDF?** There are several ways to create a PDF: Use software like Adobe Acrobat, Microsoft Word, or Google Docs, which often have built-in PDF creation tools. Print to PDF: Many applications and operating systems have a "Print to PDF" option that allows you to save a document as a PDF file instead of printing it on paper. Online converters: There are various online tools that can convert different file types to PDF. **How do I edit a Redmax Tech Manual PDF?** Editing a PDF can be done with software like Adobe Acrobat, which allows direct editing of text, images, and other elements within the PDF. Some free tools, like PDFescape or Smallpdf, also offer basic editing capabilities. **How do I convert a Redmax Tech Manual PDF to another file format?** There are multiple ways to convert a PDF to another format: Use online converters like Smallpdf, Zamzar, or Adobe Acrobats export feature to convert PDFs to formats like Word, Excel, JPEG, etc. Software like Adobe Acrobat, Microsoft Word, or other PDF editors may have options to export or save PDFs in different formats. **How do I password-protect a Redmax Tech Manual PDF?** Most PDF editing software allows you to add password protection. In Adobe Acrobat, for instance, you can go to "File" -> "Properties" -> "Security" to set a password to restrict access or editing capabilities. Are there any free alternatives to Adobe Acrobat for

working with PDFs? Yes, there are many free alternatives for working with PDFs, such as: LibreOffice: Offers PDF editing features. PDFsam: Allows splitting, merging, and editing PDFs. Foxit Reader: Provides basic PDF viewing and editing capabilities. How do I compress a PDF file? You can use online tools like Smallpdf, ILovePDF, or desktop software like Adobe Acrobat to compress PDF files without significant quality loss. Compression reduces the file size, making it easier to share and download. Can I fill out forms in a PDF file? Yes, most PDF viewers/editors like Adobe Acrobat, Preview (on Mac), or various online tools allow you to fill out forms in PDF files by selecting text fields and entering information. Are there any restrictions when working with PDFs? Some PDFs might have restrictions set by their creator, such as password protection, editing restrictions, or print restrictions. Breaking these restrictions might require specific software or tools, which may or may not be legal depending on the circumstances and local laws.

Find Redmax Tech Manual :

order of rational numbers answer sheet

organizing a recipe book

organic inorganic chemistry fybse

oriental snack mix recipe

organisational behaviour by stephen robbins 9th edition

organic chemistry solution manual david klein

organic chemistry bruice study guide

origin of the species study guide

oracle order to case guide

orange tarragon chicken recipe marnade

oracle general ledger technical reference manual r12

oracle xml db web service

order new c3 manual citroen

organelles in eukaryotic cells pogil answers key

oracle payments implementation guide r12

Redmax Tech Manual :

les cancers digestifs en détail aphp - Oct 07 2023

web les traitements actuels des cancers digestifs les traitements des cancers digestifs dépendent de la localisation de la tumeur de son extension locale et à distance les métastases éventuelles et du patient son état général la

digestive cancers institut curie - Apr 01 2023

web les cancers digestifs que sont ils comment les prendre en charge dossier de l institut curie les cancers digestifs peuvent se développer sur tout le tube digestif œsophage estomac intestin grêle côlon rectum anus

Épidémiologie cancer digestif et symptômes institut curie - Sep 06 2023

web que sont les cancers digestifs les cancers digestifs peuvent se développer sur tout le tube digestif œsophage estomac intestin grêle côlon rectum anus ainsi que dans d autres organes comme le foie le pancréas et les voies biliaires l institut curie traite chaque année plus de 840 patients atteints de ces maladies

cancer de l estomac fiches ide - Feb 16 2022

web le cancer de l estomac ou cancer gastrique est le 5e cancer de france et le 3e des cancers digestifs en revanche l incidence de ce cancer est très élevée au japon l âge moyen de diagnostic est de 65 ans 90 des cancers de l estomac sont des adénocarcinomes ii physiopathologie

cancer digestif symptômes et diagnostic convatec - Oct 27 2022

web nov 10 2022 il s agit d un terme large englobant les cancers intéressant les différentes parties du système digestif sont désignés entre autres par ce terme le cancer de l œsophage de l estomac du foie de l intestin le cancer colorectal de

les cancers digestifs service d oncologie aux hug hug - May 02 2023

web jun 14 2023 les cancers digestifs concernent le tube digestif œsophage estomac intestin grêle côlon rectum anus ainsi que les organes comme le pancréas le foie et les voies biliaires les cancers colorectal de l estomac de l œsophage du pancréas du foie et des voies biliaires sont les cancers digestifs les plus fréquents

cancers digestifs aphp - Jul 04 2023

web les cancers digestifs désignent l ensemble des tumeurs malignes qui se développent avec comme point de départ le tube digestif l œsophage l estomac l intestin grêle le côlon le rectum et jusqu a l anus ou les glandes qui lui sont annexées

fiche patient le cancer digestif causes symptômes et traitements - Jun 03 2023

web les principaux cancers digestifs le cancer peut prendre naissance dans n importe quel organe du système digestif voici les principaux cancers digestifs en france les cancers du côlon et du rectum définition nombre de nouveaux cas par an en france

profil histopathologique des cancers digestifs primitifs en - May 22 2022

web résumé les cancers digestifs sont fréquents dans le monde en afrique les données sont sporadiques et caractérisées par une fréquence élevée chez les sujets jeunes but décrire les aspects épidémiologiques et histopathologiques de

cancers digestifs du pancréas du foie du côlon de l'estomac - Aug 05 2023

web jun 15 2022 les cancers digestifs rassemblent plusieurs types de tumeurs malignes prenant naissance dans le tube digestif oesophage estomac côlon rectum anus ou les glandes qui lui sont associées foie vésicule biliaire pancréas le cancer digestif le plus fréquent en france est le cancer colorectal

les cancers digestifs springerlink - Dec 29 2022

web cet ouvrage fruit d'un travail multidisciplinaire apporte une approche pratique et actualisée de la prise en charge des tumeurs malignes digestives les premiers chapitres sont consacrés à des sujets généraux et originaux tels que l'épidémiologie la génétique la prise en charge des sujets âgés

profil épidémiologique clinique histologique et thérapeutique des - Aug 25 2022

web dec 1 2018 introduction les cancers digestifs représentent entre 10 et 50 de l'ensemble des cancers selon les études 1 2 ils occupent de ce fait une place prépondérante dans les services de chirurgie digestive 3 4 ils sont caractérisés par leur grande variabilité selon les régions géographiques 5 6 ces variations concernent

cancers digestifs quels traitements allodocteurs - Jul 24 2022

web nov 23 2011 les cancers digestifs représentent près du quart des nouveaux cancers diagnostiqués À l'origine de peu de symptômes ces cancers sont souvent pris en charge tardivement ce qui diminue les chances de guérison la rédaction d'allo docteurs rédigé le 23 11 2011 mis à jour le 25 08 2015 qu'est-ce qu'un cancer digestif

cancers de l'appareil digestif concilio - Feb 28 2023

web les cancers digestifs désignent les tumeurs malignes qui se développent au niveau du tube digestif c'est à dire l'oesophage le foie l'estomac les voies biliaires l'intestin grêle le pancréas le côlon le rectum et l'anus en france les cancers digestifs sont responsables de plus de 40 000 décès par an soit 30 des décès par cancer

métastases osseuses des cancers digestifs springer - Apr 20 2022

web ce de par le monde les cancers digestifs représentent presque un tiers de tous les cancers 16 en france le cancer colorectal représente le plus fréquent des cancers hommes et femmes réunis avec près de 33 000 nouveaux cas par an 2 les autres localisations rencontrées sont par ordre décroissant du nombre annuel de cas les

aspects Épidémiologiques cliniques et histologiques du cancer - Mar 20 2022

web jul 31 2022 introduction le cancer de l'estomac constitue un véritable problème de santé publique certaines études ont porté sur les aspects épidémiologiques et anatomo-cliniques de cette affection

profil épidémiologique clinique histologique et thérapeutique des - Jun 22 2022

web dec 1 2018 les cancers digestifs y touchent des adultes jeunes avec une prédominance des adénocarcinomes et surviennent dans la majorité des cas sans facteur de risque connu 2 5 l'absence d'études multicentriques et de registres

nationaux du cancer dans de nombreux pays africains rend ces données souvent sporadiques

les cancers digestifs leurs guides fondation - Nov 27 2022

web les cancers digestifs leurs guides le cancer colorectal informations et guide le cancer colorectal en questions le cancer de l'estomac et du cardia le guide les cancers de l'estomac et du cardia en questions le cancer de l'œsophage le guide le cancer de l'œsophage en questions

cancers digestifs recommandations et outils d'aide à la pratique - Jan 30 2023

web cancers digestifs retrouvez les recommandations de bonnes pratiques cliniques liées au traitement des cancers digestifs estomac œsophage foie pancréas côlon re

cancers digestifs institut de cancérologie kantys - Sep 25 2022

web les cancers pris en charge cancers digestifs cancers gynécologiques cancer hématologique et des lymphomes cancer de la peau cancer du poumon cancer de la prostate cancer du rein cancer du sein cancer de la thyroïde cancer de la vessie sarcomes et cancers rares traitements spécifiques des métastases les diagnostics et

the rise and fall of the italian film industry researchgate - Jul 02 2023

web dec 8 2016 the rise and fall of the italian film industry traces the rise of the industry from its origins in the 19th century to its worldwide success in the 1960s and its rapid decline in the

the rise and fall of the italian film industry 35 pdf - Sep 23 2022

web the rise and fall of the italian film industry 35 broadcasting hollywood sep 27 2020 broadcasting hollywood the struggle over feature films on early television uses extensive international movie industry feb 22 2023 a comprehensive history of the international movie industry during the 20th century

[the rise and fall of the italian film industry searchworks catalog](#) - Aug 23 2022

web select search scope currently catalog all catalog articles website more in one search catalog books media more in the stanford libraries collections articles journal articles other e resources

the rise and fall of the italian film industry uk education - Dec 27 2022

web sep 23 2023 but by the end of the 1980s the italian film industry was all but dead the rise and fall of the italian film industry traces the rise of the industry from its origins in the 19th century to its worldwide success in the 1960s and its rapid decline in the subsequent decades

the rise and fall of the italian film industry 35 - Feb 14 2022

web rise and fall of the italian film industry 35 as one of the most practicing sellers here will agreed be in the course of the best options to review foreign commerce weekly 1958 plastics in italy d castiglione 1999 this report highlights the trends in the italian plastics industry over the period 1993 1997 outline studies 1940 02

the rise and fall of the italian film industry routledge - Aug 03 2023

web the rise and fall of the italian film industry traces the rise of the industry from its origins in the 19 th century to its worldwide success in the 1960s and its rapid decline in the subsequent decades

the rise and fall of the italian film industry 35 amazon com au - Feb 26 2023

web select the department you want to search in

the rise and fall of the italian film industry taylor francis - Jun 01 2023

web nov 7 2018 the rise and fall of the italian film industry marina nicoli routledge new yorkpaperback 9781138340787 36 99hardback 9781138790056 115 00this is a meticulously researched business history o

the rise and fall of the italian film industry 35 routledge - Nov 25 2022

web italian cinema triumphed globally in the 1960 with directors such as rossellini fellini and leone and actors like sophia loren and marcello mastroianni known to audiences around the world but by the end of the 1980s the italian film industry was all but dead the rise and fall of the italian film industry

the rise and fall of the italian film industry by marina nicoli - Apr 18 2022

web aug 7 2018 italian cinema triumphed globally in the 1960 with directors such as rossellini fellini and leone and actors like sophia loren and marcello mastroianni the rise and fall of the italian film industry 250 by marina nicoli view more read an excerpt of this book add to wishlist

the rise and fall of the italian film industry ideas repec - May 20 2022

web corrections all material on this site has been provided by the respective publishers and authors you can help correct errors and omissions when requesting a correction please mention this item s handle repec taf bushst v 63 y 2021 i 1 p 155 156 see general information about how to correct material in repec for technical questions regarding

the rise and fall of the italian film industry routledge - Oct 25 2022

web italian cinema triumphed globally in the 1960 with directors such as rossellini fellini and leone and actors like sophia loren and marcello mastroianni known to audiences around the world but by the end of the 1980s the italian film industry was all but dead the rise and fall of the italian film industry

the rise and fall of the italian film industry 35 hardcover - Oct 05 2023

web hello sign in account lists returns orders cart

the rise and fall of the italian film industry google books - Jan 28 2023

web dec 8 2016 italian cinema triumphed globally in the 1960 with directors such as rossellini fellini and leone and actors like sophia loren and marcello mastroianni known to audiences around the world but by the end of the 1980s the italian film industry was all but dead the rise and fall of the italian film industry traces the rise of the industry

rise and fall of the italian film industry open library - Jun 20 2022

web feb 27 2022 rise and fall of the italian film industry by marina nicoli 2016 taylor francis group edition in english

downloadable free pdfs the rise and fall of the italian film industry 35 - Apr 30 2023

web the rise and fall of the italian film industry 35 italian film oct 29 2021 examines the extraordinary cinematic tradition of italy from the silent era to the present la dolce morte nov 29 2021 in addition to being the first academic study of the giallo film in english this book surveys more than fifty films of this subgenre the works

the rise and fall of the italian film industry routledge - Mar 30 2023

web the rise and fall of the italian film industry will be of particular interest to business and economic historians cinema historians media specialists and cultural economists about the author marina nicoli is a post doctoral research fellow in the department of policy analysis and public management at bocconi university italy

the rise and fall of the italian film industry - Sep 04 2023

web dec 23 2016 by examining the roles of a wide range of stakeholders including film directors producers exhibitors the public and the critics as well as the system of funding and the influence of governments author marina nicoli demonstrates that the italian film industry succeeded when all three spheres were aligned but suffered and ultimately

[the rise and fall of the italian film industry request pdf](#) - Mar 18 2022

web nov 7 2018 the magnitude of the recent dramatic fall in oil prices has once again like the rises of 1973 and 1979 taken most energy analysts and oil industry participants by suprise creating even greater

the rise and fall of the italian film industry overdrive - Jul 22 2022

web dec 8 2016 but by the end of the 1980s the italian film industry was all but dead the rise and fall of the italian film industry traces the rise of the industry from its origins in the 19th century to its worldwide success in the 1960s and its rapid decline in the subsequent decades

les épreuves du permis d codesrousseau fr - Jan 08 2023

web découvrez les differents permis poids lourds et transports en commun avec codes rousseau

code rousseau epreuves plateau poids lourd 2019 unifi like - Jul 02 2022

web code rousseau epreuves plateau poids lourd 2019 3 3 is an analysis of the law relating to the takings of foreign property by host countries and of the clauses international investment agreements seeking to provide protection against such takings it deals with the development of the law and considers both what possible protection against

code rousseau epreuves plateau poids lourd 2019 by codes rousseau - Jan 28 2022

web code rousseau epreuves plateau poids lourd 2019 by codes rousseau code rousseau de la route b 2018 rouss code rout april 23rd 2020 buy code rousseau de la route b 2018 rouss code rout by codes rousseau isbn 9782709514231 from s book

store everyday low prices and free delivery on eligible

[code rousseau epreuves plateau poids lourd 2019 download](#) - Nov 06 2022

web 2 code rousseau epreuves plateau poids lourd 2019 2020 06 20 rationalities of life in contrast to husserl who differentiated living types according to their degree of participation in the world the phenomenology of life disentangles living types from within the onto-poietic web of life itself the human creative act

code rousseau epreuves plateau poids lourd 2021 - Dec 07 2022

web les epreuves plateau poids lourd nécessitent une préparation particulière les epreuves plateau poids lourd rousseau est l'outil indispensable pour se préparer à l'épreuve hors circulation de l'examen pour tous les permis du

code rousseau epreuves plateau poids lourd 2019 fnac - May 12 2023

web mar 20 2019 code rousseau epreuves plateau poids lourd 2019 collectif codes rousseau des milliers de livres avec la livraison chez vous en 1 jour ou en magasin avec 5 de réduction code rousseau epreuves plateau poids lourd 2019 broché collectif achat livre fnac

code rousseau epreuves plateau poids lourd 2019 by codes rousseau - Aug 15 2023

web code rousseau epreuves plateau poids lourd 2019 by codes rousseau may 2nd 2020 largement utilisé dans les formations au permis c et permis d ainsi que permis ec et ed cet outils vous sera indispensable pour préparer vos épreuves de plateau des permis du groupe lourd que vous prépariez le permis poids

code rousseau epreuves plateau poids lourd 2019 broché - Apr 11 2023

web noté 5 retrouvez code rousseau epreuves plateau poids lourd 2019 et des millions de livres en stock sur amazon fr achetez neuf ou d occasion

code rousseau epreuves plateau poids lourd 2019 by codes rousseau - Jun 01 2022

web february 16th 2020 code rousseau moto 2019 xxx codes rousseau 20 20 code rousseau code extension hauturière 2019 xxx codes rousseau 16 64 code rousseau epreuves plateau poids lourd 2019 xxx codes rousseau 16 17 code rousseau poids lourd 2019 xxx codes rousseau 16 17 code rousseau test option côtière 2019 xxx

[code rousseau epreuves plateau poids lourd 2019 by codes rousseau](#) - Mar 30 2022

web february 16th 2020 code rousseau moto 2019 xxx codes rousseau 20 20 code rousseau code extension hauturière 2019 xxx codes rousseau 16 64 code rousseau epreuves plateau poids lourd 2019 xxx codes rousseau 16 17 code rousseau poids lourd 2019 xxx codes rousseau 16 17 code rousseau test option côtière 2019 xxx

code rousseau epreuves plateau poids lourd 2019 by codes rousseau - Dec 27 2021

web code rousseau epreuves plateau poids lourd 2019 by codes rousseau sur les permis c1 c1e c et ce menu le code de la route passer l'assr le permis poids lourd epreuves plateau amp i o tlcharger code rousseau epreuves plateau poids lourd avril

29th 2020 code rousseau epreuves plateau poids lourd 2018

Épreuves plateau rousseau groupe lourd codes rousseau - Mar 10 2023

web toutes les épreuves plateau et interrogations orales groupe lourd dans un ouvrage tous les permis du groupe lourd c ce c1 c1e d de d1 d1e ouvrage articulé en deux parties les vérifications et ses 6 thèmes tirés au sort les 12 fiches de l interrogation orale

code rousseau epreuves plateau poids lourd 2019 by codes rousseau - Feb 09 2023

web april 26th 2020 code rousseau epreuves plateau poids lourd 2020 xxx codes rousseau 16 17 code rousseau poids lourd 2020 xxx codes rousseau 16 17 code rousseau moto 2020 xxx codes rousseau 20 20 code rousseau code eaux intérieures 2020 xxx code rousseau test extension hauteuriere 2020 xxx

pdf epub code rousseau epreuves plateau poids lourd 2019 - Jul 14 2023

web auteur codes rousseau titre code rousseau epreuves plateau poids lourd 2019 note 4 6 sur 5 étoiles 40 évaluations isbn 10 2709514850 isbn 13 9782709514859 langue d édition français format ebook pdf epub kindle audio html et mobi appareils pris en charge android ios pc et amazon kindle

code rousseau epreuves plateau poids lourd 2019 - Aug 03 2022

web 2 code rousseau epreuves plateau poids lourd 2019 2019 08 11 eugene w holland provides an excellent introduction to gilles deleuze and felix guattari s anti oedipus which is widely recognized as one of the most influential texts in philosophy to have appeared in the last thirty years he lucidly presents the theoretical concerns behind anti

codes rousseau transport de marchandises - Sep 04 2022

web codes rousseau transport de marchandises codes rousseau codes rousseau site pros la boutique des pros poids lourd outils candidats ouvrages livrets fiches pour l élève permis b conduite accompagnée titre pro ecsr deux roues

code rousseau epreuves plateau poids lourd 2019 2022 - Feb 26 2022

web 2 code rousseau epreuves plateau poids lourd 2019 2023 02 22 defies judgement henry james unhappily married to a devoted clumsy provincial doctor emma revolts against the ordinariness of her life by pursuing voluptuous dreams of ecstasy and love but her sensuous and sentimental desires lead her only to suffering corruption and downfall

code rousseau epreuves plateau poids lourd 2019 by codes rousseau - Apr 30 2022

web april 29th 2020 code rousseau epreuves plateau poids lourd 2019 collectif codes rousseau des milliers de livres avec la livraison chez vous en 1 jour ou en magasin avec 5 de réduction

code rousseau epreuves plateau poids lourd 2019 by codes rousseau - Jun 13 2023

web crites du permis ce 2013 ment tlcharger code rousseau epreuves plateau poids lourd permis c code en ligne dvd livres boutique officielle permis poids lourd groupe d codes rousseau epreuves plateau des permis c et d codes rousseau code

rousseau epreuves plateau poids lourd 2019 broch code de la route sports loisirs transports

code rousseau epreuves plateau poids lourd 2019 by codes rousseau - Oct 05 2022

web april 28th 2020 code rousseau epreuves plateau poids lourd 2019 de codes rousseau code rousseau epreuves plateau

poids lourd 2018 de codes rousseau 28 mars 2018 4