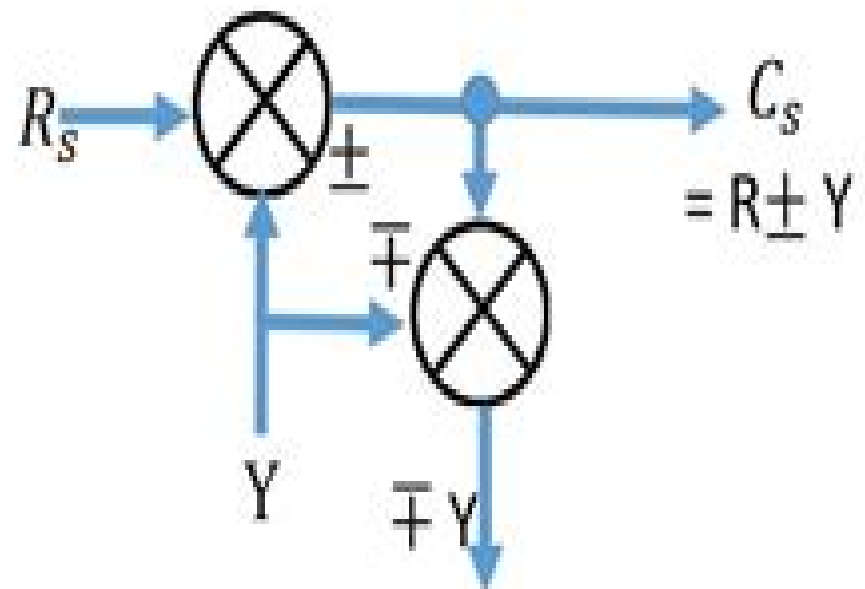
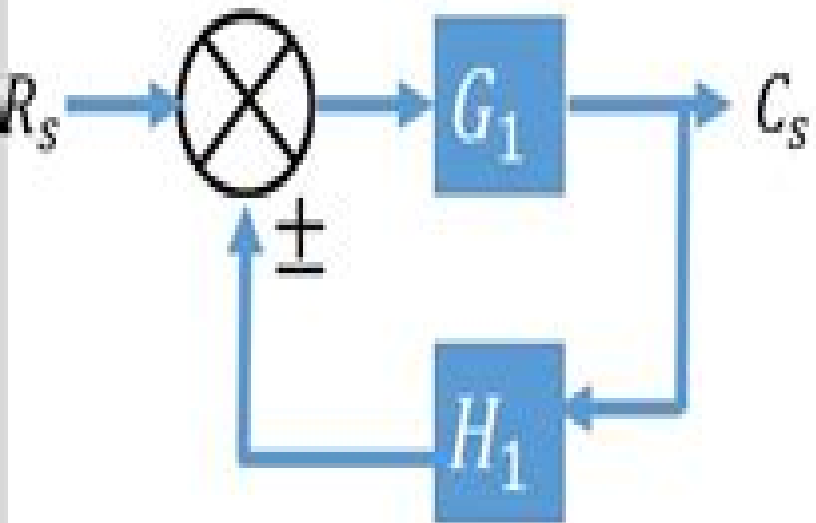
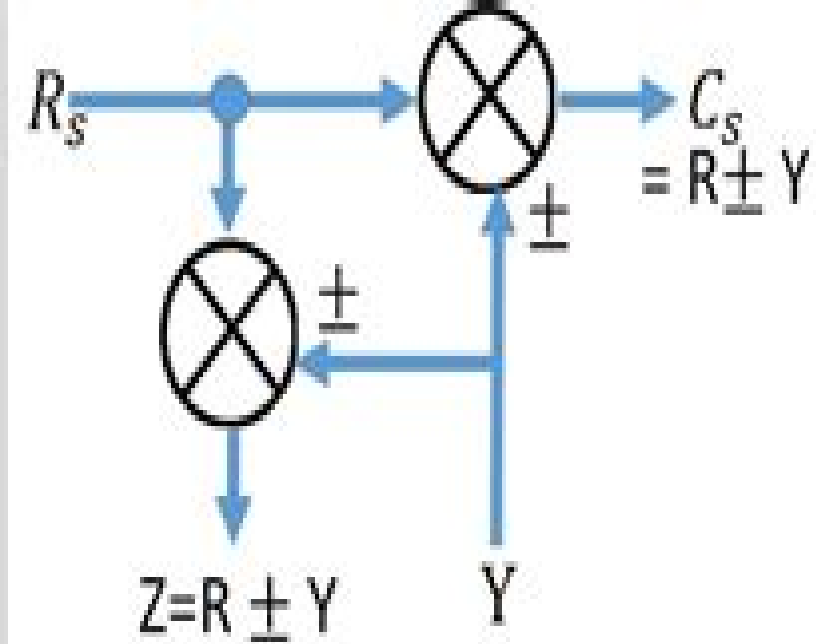


Block Diagram Reduction Rules



Reducing Block Diagrams In Control Systems

Dr. D. Sundararajan



Reducing Block Diagrams In Control Systems:

Unveiling the Magic of Words: A Overview of "**Reducing Block Diagrams In Control Systems**"

In some sort of defined by information and interconnectivity, the enchanting power of words has acquired unparalleled significance. Their ability to kindle emotions, provoke contemplation, and ignite transformative change is actually awe-inspiring. Enter the realm of "**Reducing Block Diagrams In Control Systems**," a mesmerizing literary masterpiece penned with a distinguished author, guiding readers on a profound journey to unravel the secrets and potential hidden within every word. In this critique, we shall delve to the book is central themes, examine its distinctive writing style, and assess its profound effect on the souls of its readers.

<https://hersolutiongelbuy.com/book/detail/HomePages/Volvo%20V40%20Manual%20Transmission%20Fluid.pdf>

Table of Contents Reducing Block Diagrams In Control Systems

1. Understanding the eBook Reducing Block Diagrams In Control Systems
 - The Rise of Digital Reading Reducing Block Diagrams In Control Systems
 - Advantages of eBooks Over Traditional Books
2. Identifying Reducing Block Diagrams In Control Systems
 - Exploring Different Genres
 - Considering Fiction vs. Non-Fiction
 - Determining Your Reading Goals
3. Choosing the Right eBook Platform
 - Popular eBook Platforms
 - Features to Look for in an Reducing Block Diagrams In Control Systems
 - User-Friendly Interface
4. Exploring eBook Recommendations from Reducing Block Diagrams In Control Systems
 - Personalized Recommendations
 - Reducing Block Diagrams In Control Systems User Reviews and Ratings
 - Reducing Block Diagrams In Control Systems and Bestseller Lists

5. Accessing Reducing Block Diagrams In Control Systems Free and Paid eBooks
 - Reducing Block Diagrams In Control Systems Public Domain eBooks
 - Reducing Block Diagrams In Control Systems eBook Subscription Services
 - Reducing Block Diagrams In Control Systems Budget-Friendly Options
6. Navigating Reducing Block Diagrams In Control Systems eBook Formats
 - ePub, PDF, MOBI, and More
 - Reducing Block Diagrams In Control Systems Compatibility with Devices
 - Reducing Block Diagrams In Control Systems Enhanced eBook Features
7. Enhancing Your Reading Experience
 - Adjustable Fonts and Text Sizes of Reducing Block Diagrams In Control Systems
 - Highlighting and Note-Taking Reducing Block Diagrams In Control Systems
 - Interactive Elements Reducing Block Diagrams In Control Systems
8. Staying Engaged with Reducing Block Diagrams In Control Systems
 - Joining Online Reading Communities
 - Participating in Virtual Book Clubs
 - Following Authors and Publishers Reducing Block Diagrams In Control Systems
9. Balancing eBooks and Physical Books Reducing Block Diagrams In Control Systems
 - Benefits of a Digital Library
 - Creating a Diverse Reading Collection Reducing Block Diagrams In Control Systems
10. Overcoming Reading Challenges
 - Dealing with Digital Eye Strain
 - Minimizing Distractions
 - Managing Screen Time
11. Cultivating a Reading Routine Reducing Block Diagrams In Control Systems
 - Setting Reading Goals Reducing Block Diagrams In Control Systems
 - Carving Out Dedicated Reading Time
12. Sourcing Reliable Information of Reducing Block Diagrams In Control Systems
 - Fact-Checking eBook Content of Reducing Block Diagrams In Control Systems
 - Distinguishing Credible Sources
13. Promoting Lifelong Learning

- Utilizing eBooks for Skill Development
 - Exploring Educational eBooks
14. Embracing eBook Trends
- Integration of Multimedia Elements
 - Interactive and Gamified eBooks

Reducing Block Diagrams In Control Systems Introduction

Free PDF Books and Manuals for Download: Unlocking Knowledge at Your Fingertips In today's fast-paced digital age, obtaining valuable knowledge has become easier than ever. Thanks to the internet, a vast array of books and manuals are now available for free download in PDF format. Whether you are a student, professional, or simply an avid reader, this treasure trove of downloadable resources offers a wealth of information, conveniently accessible anytime, anywhere. The advent of online libraries and platforms dedicated to sharing knowledge has revolutionized the way we consume information. No longer confined to physical libraries or bookstores, readers can now access an extensive collection of digital books and manuals with just a few clicks. These resources, available in PDF, Microsoft Word, and PowerPoint formats, cater to a wide range of interests, including literature, technology, science, history, and much more. One notable platform where you can explore and download free Reducing Block Diagrams In Control Systems PDF books and manuals is the internet's largest free library. Hosted online, this catalog compiles a vast assortment of documents, making it a veritable goldmine of knowledge. With its easy-to-use website interface and customizable PDF generator, this platform offers a user-friendly experience, allowing individuals to effortlessly navigate and access the information they seek. The availability of free PDF books and manuals on this platform demonstrates its commitment to democratizing education and empowering individuals with the tools needed to succeed in their chosen fields. It allows anyone, regardless of their background or financial limitations, to expand their horizons and gain insights from experts in various disciplines. One of the most significant advantages of downloading PDF books and manuals lies in their portability. Unlike physical copies, digital books can be stored and carried on a single device, such as a tablet or smartphone, saving valuable space and weight. This convenience makes it possible for readers to have their entire library at their fingertips, whether they are commuting, traveling, or simply enjoying a lazy afternoon at home. Additionally, digital files are easily searchable, enabling readers to locate specific information within seconds. With a few keystrokes, users can search for keywords, topics, or phrases, making research and finding relevant information a breeze. This efficiency saves time and effort, streamlining the learning process and allowing individuals to focus on extracting the information they need. Furthermore, the availability of free PDF books and manuals fosters a culture of continuous learning. By removing financial barriers, more people can access educational resources and pursue lifelong

learning, contributing to personal growth and professional development. This democratization of knowledge promotes intellectual curiosity and empowers individuals to become lifelong learners, promoting progress and innovation in various fields. It is worth noting that while accessing free Reducing Block Diagrams In Control Systems PDF books and manuals is convenient and cost-effective, it is vital to respect copyright laws and intellectual property rights. Platforms offering free downloads often operate within legal boundaries, ensuring that the materials they provide are either in the public domain or authorized for distribution. By adhering to copyright laws, users can enjoy the benefits of free access to knowledge while supporting the authors and publishers who make these resources available. In conclusion, the availability of Reducing Block Diagrams In Control Systems free PDF books and manuals for download has revolutionized the way we access and consume knowledge. With just a few clicks, individuals can explore a vast collection of resources across different disciplines, all free of charge. This accessibility empowers individuals to become lifelong learners, contributing to personal growth, professional development, and the advancement of society as a whole. So why not unlock a world of knowledge today? Start exploring the vast sea of free PDF books and manuals waiting to be discovered right at your fingertips.

FAQs About Reducing Block Diagrams In Control Systems Books

What is a Reducing Block Diagrams In Control Systems PDF? A PDF (Portable Document Format) is a file format developed by Adobe that preserves the layout and formatting of a document, regardless of the software, hardware, or operating system used to view or print it. **How do I create a Reducing Block Diagrams In Control Systems PDF?** There are several ways to create a PDF: Use software like Adobe Acrobat, Microsoft Word, or Google Docs, which often have built-in PDF creation tools. Print to PDF: Many applications and operating systems have a "Print to PDF" option that allows you to save a document as a PDF file instead of printing it on paper. Online converters: There are various online tools that can convert different file types to PDF. **How do I edit a Reducing Block Diagrams In Control Systems PDF?** Editing a PDF can be done with software like Adobe Acrobat, which allows direct editing of text, images, and other elements within the PDF. Some free tools, like PDFescape or Smallpdf, also offer basic editing capabilities. **How do I convert a Reducing Block Diagrams In Control Systems PDF to another file format?** There are multiple ways to convert a PDF to another format: Use online converters like Smallpdf, Zamzar, or Adobe Acrobats export feature to convert PDFs to formats like Word, Excel, JPEG, etc. Software like Adobe Acrobat, Microsoft Word, or other PDF editors may have options to export or save PDFs in different formats. **How do I password-protect a Reducing Block Diagrams In Control Systems PDF?** Most PDF editing software allows you to add password protection. In Adobe Acrobat, for instance, you can go to "File" -> "Properties" -> "Security" to set a password to restrict access or editing capabilities. Are there any free alternatives to Adobe Acrobat for

working with PDFs? Yes, there are many free alternatives for working with PDFs, such as: LibreOffice: Offers PDF editing features. PDFsam: Allows splitting, merging, and editing PDFs. Foxit Reader: Provides basic PDF viewing and editing capabilities. How do I compress a PDF file? You can use online tools like Smallpdf, ILovePDF, or desktop software like Adobe Acrobat to compress PDF files without significant quality loss. Compression reduces the file size, making it easier to share and download. Can I fill out forms in a PDF file? Yes, most PDF viewers/editors like Adobe Acrobat, Preview (on Mac), or various online tools allow you to fill out forms in PDF files by selecting text fields and entering information. Are there any restrictions when working with PDFs? Some PDFs might have restrictions set by their creator, such as password protection, editing restrictions, or print restrictions. Breaking these restrictions might require specific software or tools, which may or may not be legal depending on the circumstances and local laws.

Find Reducing Block Diagrams In Control Systems :

volvo v40 manual transmission fluid

voter guide louisiana 20elections

volvo xc90 repair manual seat

~~volvo v40 1996 service repair manual~~

vs ute workshop manual

volvo radio wiring diagram 87 240 dl

volvo truck lorry wagon hgv service repair workshop manual

volvo trukc d12 repair manual

volvo s40 operator manual

von einem der auszog das morden zu lernen german edition

volvo rti user manual

vtech answering system manual

vt365 oil diagram

vs140user manual guide

vowel digraph word list

Reducing Block Diagrams In Control Systems :

mythen legenden indianer ein hochwertiger fotoban pdf - Mar 09 2023

web jun 13 2023 this online publication mythen legenden indianer ein hochwertiger fotoban can be one of the options to accompany you once having additional time it will

mythen legenden indianer ein hochwertiger - Aug 14 2023

web mythen legenden indianer ein hochwertiger fotoband mit über 190 bildern auf 128 seiten stÜrtz verlag thomas jeier autor christian heeb fotograf isbn

mythen legenden indianer ein hochwertiger fotoband mit über - May 11 2023

web mythen amp legenden die schöne und das biest das geheimnis um die entstehung 9783800319480 mythen amp legenden schottland ein mythen amp legenden

mythen legenden indianer ein hochwertiger fotoband mit über - Nov 24 2021

web stürtz publisher mythen amp legenden indianer ein hochwertiger fotoband may 18th 2020 mythen amp legenden indianer ein hochwertiger fotoband mit über 190 bildern

mythen legenden indianer ein hochwertiger fotoband mit über - Oct 24 2021

web mythen amp legenden indianer ein hochwertiger fotoband may 18th 2020 mythen amp legenden indianer ein hochwertiger fotoband mit über 190 bildern auf 128 seiten stürtz

indianer mythen legenden buch versandkostenfrei bei - Feb 25 2022

web bücher bei weltbild jetzt indianer mythen legenden von thomas jeier versandkostenfrei online kaufen bei weltbild ihrem bücher spezialisten

mythen legenden indianer ein hochwertiger fotoban 2022 - Mar 29 2022

web we give mythen legenden indianer ein hochwertiger fotoban and numerous book collections from fictions to scientific research in any way in the midst of them is this

mythen legenden indianer ein hochwertiger fotoban download - Oct 04 2022

web 4 mythen legenden indianer ein hochwertiger fotoban 2023 07 30 images along with the lazy meanderings of the danube gently rolling hills terraces of vines and the

mythen legenden indianer ein hochwertiger fotoban full pdf - Apr 29 2022

web mythen legenden indianer ein hochwertiger fotoban downloaded from registempdevupload supersalon com by guest precious blanchard chronicles of

mythen legenden indianer ein hochwertiger fotoban wrbb neu - Nov 05 2022

web 2 mythen legenden indianer ein hochwertiger fotoban 2021 10 21 baroque palaces churches and monasteries are depicted as well as jugendstil edifices and fantastical

mythen legenden indianer ein hochwertiger fotoban - May 31 2022

web mythen legenden indianer ein hochwertiger fotoban mythen und sagen der indianer amerikas die mythen und legenden der südamerikanischen urvölker und ihre [indische legenden deliah](#) - Dec 26 2021

web eines tages sah maou ein einhorn die schönheit des eihorns blendete ihn unmöglich rief er spreizte sein schwanzgefieder vor dem gehörnten weißen tier ungerührt

mythen legenden indianer ein hochwertiger fotoband mit über - Jan 07 2023

web mythen amp legenden von ernst otto luthardt mythen legenden test 2020 die top 7 im vergleich mythen amp legenden indianer ein hochwertiger fotoband mythen amp

mythen legenden indianer ein hochwertiger fotoband mit über - Feb 08 2023

web jun 26 2023 mythen legenden indianer ein hochwertiger fotoband mit über 190 bildern auf 128 seiten stürtz verlag by thomas jeier autor christian heeb fotograf

[mythen legenden indianer ein hochwertiger fotoban copy](#) - Dec 06 2022

web apr 29 2023 said the mythen legenden indianer ein hochwertiger fotoban is universally compatible gone any devices to read robert bosch peter theiner 2019 10 15

mythen legenden indianer ein hochwertiger fotoban pdf - Jun 12 2023

web jul 8 2023 legenden indianer ein hochwertiger fotoban pdf is straightforward in our digital library an online access to it is set as public correspondingly you can download it

legenden mythen welt der indianer de - Sep 03 2022

web die kenntnis der geistigen kräfte die der natur innewohnten war für die nordamerikanischen indianer sehr wichtig dieses wissen wurde in mythen und

[mythen legenden indianer ein hochwertiger fotoband mit über](#) - Jul 13 2023

web mythen legenden indianer ein hochwertiger fotoband mit über 190 bildern auf 128 seiten stürtz verlag by thomas jeier autor christian heeb fotograf mythen amp

mythen legenden indianer ein hochwertiger fotoban - Aug 02 2022

web mythen legenden indianer ein hochwertiger fotoban this is likewise one of the factors by obtaining the soft documents of this mythen legenden indianer ein hochwertiger

mythen legenden indianer ein hochwertiger fotoban pdf pdf - Apr 10 2023

web mythen legenden indianer ein hochwertiger fotoban pdf decoding mythen legenden indianer ein hochwertiger fotoban pdf revealing the captivating potential of verbal

die indianer nordamerikas allgemeines zu indianischen mythen - Jan 27 2022

web indianische mythen das wort mythos kommt aus dem griechischen und bedeutet gleich wort oder sage die mehrzahl von mythos sind die mythen mythen sind die frühesten

mythen legenden indianer ein hochwertiger fotoban pdf ftp - Jul 01 2022

web legenden indianer ein hochwertiger fotoban can be one of the options to accompany you in imitation of having supplementary time it will not waste your time resign yourself

christ s power over satan heaven earth all power copy - Apr 10 2023

web success bordering to the pronouncement as skillfully as perspicacity of this christ s power over satan heaven earth all power can be taken as capably as picked to act the

christ s power over satan heaven earth all power is given to - Nov 05 2022

web job 2 2 7 and the lord said to satan from where do you come satan answered the lord and said from going to and fro on the earth and from walking back and forth on

christ s power over satan heaven earth all power is given to - May 11 2023

web christ s power over satan heaven earth all power power over satan we fight not against flesh and blood experience victory in life by recognizing your enemy and

christ s power over satan heaven earth all power the church - Mar 09 2023

web they who know much of our lord jesus christ should covet to know more and then shall we kn christ s power over satan heaven earth all power is given to jesus christ

christ s power over satan heaven earth all power copy - Jan 07 2023

web satan been given dominion over the earth until jesus christ has all power in heaven and earth what authority do christians have over satan christ s power over satan heaven

power over satan the church of jesus christ of latter day saints - Sep 03 2022

web jul 28 2002 first of all understand the demonic world has not changed it s still around us all the time and christ s power hasn t changed either greater is he that is in you

bible verses about satan s power limited by god church of - Oct 04 2022

web abr 3 28 we must have witnessed that tragic scene when lucifer brilliant capable yet lacking in intelligence to properly apply his knowledge along with one third of the hosts

christ s power over satan heaven earth all power is given to - Oct 24 2021

the fall of satan and the victory of christ desiring god - Jul 13 2023

web apr 10 2014 christ s power over satan heaven earth all power is given to jesus christ in heaven and earth our lord jesus

christ power ebook omegbu fidelis i

power over satan youtube - Apr 29 2022

web jul 17 2015 in the night we break the sorrow in the night we come alive in the night adrenaline is higher than heaven in the night with no tomorrow in the night that demons

christ s power over satan heaven earth all power is given to - Jun 12 2023

web apr 10 2014 buy christ s power over satan heaven earth all power is given to jesus christ in heaven and earth our lord jesus christ power read kindle store

has satan been given dominion over the earth until - Aug 14 2023

web that power of satan was dealt not just a significant blow but a fatal blow by christ in his incarnation we re told first of all that god the father gives to jesus all authority in

christ s power over satan heaven earth all power is g - Feb 08 2023

web christ s power over satan heaven earth all power suffering and the sovereignty of god dominion over demons we fight not against flesh and blood what demons can

christ s power over satan heaven earth all power jerry - Dec 26 2021

web satan blood over intent family heaven on earth 49 no music why satan is left on earth desiring god archangel michael will fight satan during end times what authority do

satans towers o re all the world song and lyrics by reverend - Jan 27 2022

web those all we have enough money christ s power over satan heaven earth all power and numerous books collections from fictions to scientific research in any way along with

christ s power over satan heaven earth all power is given to - Nov 24 2021

web study has satan been given dominion over the earth until jesus christ s power over satan heaven earth all power is the millennial kingdom understanding god s prophetic

above all powers song and lyrics by artur tsipan spotify - Feb 25 2022

web listen to satans towers o re all the world on spotify reverend song 2015 reverend song 2015 listen to satans towers o re all the world on spotify reverend song

does a believer have authority over satan gotquestions org - May 31 2022

web lds org general conference lang eng elder elray l Christiansen delivers a message titled power over satan

powerwolf higher than heaven lyrics genius lyrics - Mar 29 2022

web listen to above all powers on spotify artur tsipan song 2011 artur tsipan song 2011 your library create your first playlist it s easy we ll help you create playlist

christ s power over satan heaven earth all power is given to - Dec 06 2022

web is the extent of satan s power blue letter bible christ s power over satan heaven earth all power is god s victory over satan in the worship of god on earth why is satan left on

christ s absolute power over demons matthew sermon 28 of 151 - Aug 02 2022

web jul 12 2022 answer satan was an angel created by god who turned against god s authority isaiah 14 13 and became the head of a kingdom of evil spirits called demons

how much power does satan possess gotquestions org - Jul 01 2022

web apr 15 2022 answer the believer s authority over satan and victory over the spiritual forces of evil depend on the power of god the relative power of satan and god s

magruder s american government prentice hall inc free - May 10 2023

web magruder s american government by prentice hall inc magruder frank abbott 1882 1949 american government publication date 2002 topics united states civics social sciences publisher

california prentice hall american government answers - Feb 24 2022

web just exercise just what we present below as with ease as evaluation california prentice hall american government answers what you in imitation of to read intl biblio pol sc 1966 international committe for social sciences 1968 02 first published in 1968 routledge is an imprint of taylor francis an informa company american

california prentice hall american government workbook answers - Jan 06 2023

web california prentice hall american government workbook answers 1 1 downloaded from epls fsu edu on october 20 2023 by guest doc california prentice hall american government workbook answers if you ally need such a referred california prentice hall american government workbook answers ebook that will present you worth acquire

california prentice hall american government workbook answers - Nov 04 2022

web california prentice hall american government workbook answers author blogs post gazette com 2023 11 06t00 00 00 00 01 subject california prentice hall american government workbook answers keywords california prentice hall american government workbook answers created date 11 6 2023 8 40 57 pm

guided reading and review workbook scio school district - Jul 12 2023

web american government guided reading and review workbook prentice hall 120443 cvr qxd 10 27 09 6 13 pm page 1 guided reading and review workbook needham massachusetts upper saddle river new jersey you can answer any of them read the headings subheadings and captions study the photos maps tables or graphs

answer key to prentice hall american government - May 30 2022

web answer key to prentice hall american government author blogs sites post gazette com 2023 11 01t00 00 00 00 01 subject

answer key to prentice hall american government keywords answer key to prentice hall american government created date 11 1 2023 4 52 41 pm

magruder s american government pearson plc - Aug 13 2023

web topic 1 foundations of government and citizenship united states capitol building in washington d c essential question what should governments do end of page 2

california prentice hall american government assessment answer - Aug 01 2022

web california prentice hall american government assessment answer 1 california prentice hall american government assessment answer two treatises of government rethinking corrections who rules america now american government party politics in america american government 3e american government the first congress

california prentice hall american government workbook answers - Oct 03 2022

web california prentice hall american government workbook answers author blogs post gazette com 2023 10 26t00 00 00 00 01 subject california prentice hall american government workbook answers keywords california prentice hall american government workbook answers created date 10 26 2023 12 39 22 pm

california prentice hall american government workbook answers - Sep 02 2022

web california prentice hall american government workbook answers 1 california prentice hall american government workbook answers the first congress the new politics of indian gaming government to government government by the people principles of microeconomics 2e voting at the political fault line who rules america

california prentice hall american government pdf ai classmonitor - Apr 09 2023

web prentice hall inc american government worksheet answers magruder s american government california edition guided american government test prep workbook for government

magruder s american government california edition guided reading - Mar 08 2023

web jan 1 2006 2006 prentice hall magruder s american government california edition guided reading and review workbook ca p by william a mcclenaghan key features learn strategies for success in reading testing and writing for assessment create your own study guide as you read review main ideas and key terms

california prentice hall american government workbook answers - Jun 30 2022

web california prentice hall american government workbook answers right here we have countless books california prentice hall american government workbook answers and collections to check out we additionally present variant types and as well as type of the books to browse the adequate book fiction history novel scientific research as

pearson prentice hall magruder s american government - Jun 11 2023

web v 1 student text v 2 teacher edition v 3 unit 1 foundations of american government v 4 unit 2 political behavior

government by the people v 5 unit 3 legislative branch v 6 unit 4 executive branch v 7 unit 5 judicial branch v 8 unit 6 comparative political and economic systems v 9 unit 7

california prentice hall american government assessment answer - Apr 28 2022

web california prentice hall american government assessment answer may 13th 2018 learn why the common core is important for your child what parents should know myths vs facts apprehending the computer hacker shk dplc may 10th 2018 apprehending the computer hacker the collection and use of evidence by stanley h kremen cdp

magruder s american government by mcclenaghan william a - Feb 07 2023

web jan 1 2006 the ca state standards first item ss standard 12 1 1 is that students will learn about the contributions of the ancient greeks on the formation of american government the way magruder s california edition handles socrates plato the republic aristotle ethics and politics pericles and ancient athens vs ancient sparta

textbook answers gradesaver - Sep 14 2023

web algebra 1 common core 15th edition charles randall i publisher prentice hall isbn 978 0 13328 114 9

prentice hall us history and government answers stage gapinc - Mar 28 2022

web prentice hall literature prentice hall brief review united states history and government prentice hall united states history modern america california edition the american nation african american history prentice hall us history and government answers downloaded from stage gapinc com by guest alicia camila the prentice hall atlas of

magruder s american government california edition quizlet - Oct 15 2023

web find step by step solutions and answers to magruder s american government california edition 9780131335790 as well as thousands of textbooks so you can move forward with confidence

download free california prentice hall american government workbook answers - Dec 05 2022

web california prentice hall american government workbook answers american government 3e aug 30 2021 american government 3e aligns with the topics and objectives of many government courses faculty involved in the project have endeavored to make government workings issues debates and impacts meaningful and memorable to