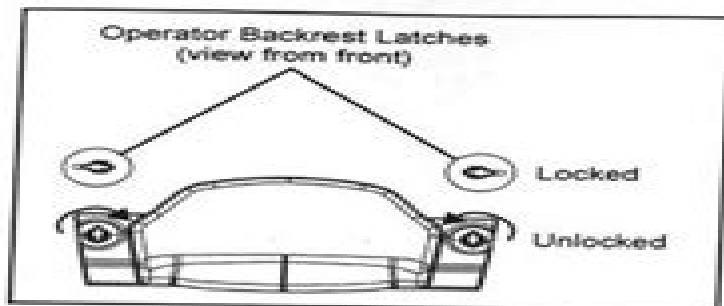
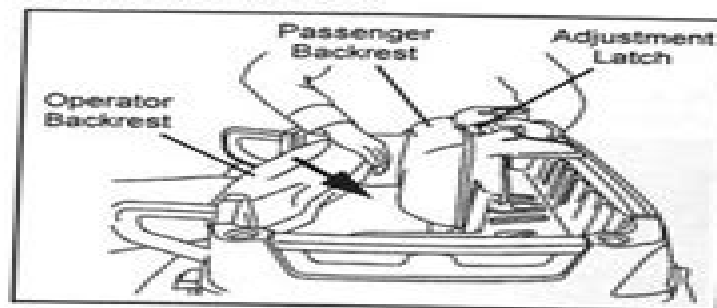


Passenger Seat Conversion

1. Make sure the cargo box dump lever is securely latched.
2. Rotate both operator backrest latches 1/4 turn to release the locks.

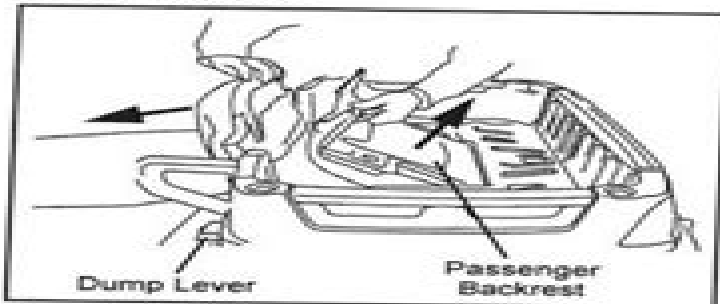


5. Lower the operator backrest to create the passenger seat. Two retaining pins under the seat should fit into the two grommets on the seat base.



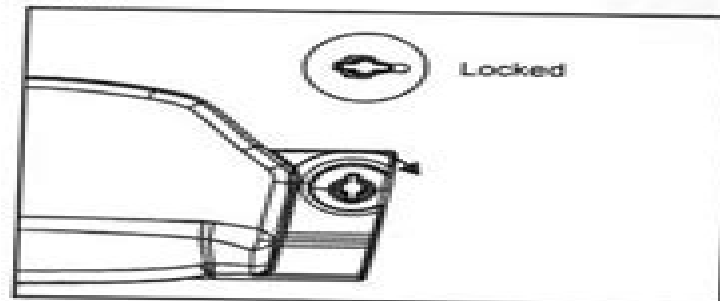
6. Test the passenger seat lock-out by attempting to release the cargo box dump lever. If the dump lever releases, the seat is not secure. Repeat the set-up procedure. **If the lock-out is not working properly, it must be repaired before allowing any passenger to ride on the vehicle.**
7. To return the vehicle to single-rider set-up, reverse all previous steps. Always lower the passenger backrest to the lowest position before folding it down into the cargo box. Turn the operator backrest latches 1/4 turn to secure the locks.

3. Tilt the backrest slightly forward towards the front of the vehicle and pull the passenger backrest upward from the bed of the cargo box.



4. Lift the adjustment latch at the top of the passenger backrest. Raise the backrest to the desired position. Release the latch, making sure it locks into one of the three adjustment positions.

NOTE: The backrest must be moved out of the lowest position before it can be secured in the upright position. The lowest position is for seat storage only. Do not leave the backrest in the lowest position. Always adjust the backrest to one of the three adjustment positions.



Polaris Sportsman 550 Service Manual Repair 2010

Emilie Sanchez



Polaris Sportsman 550 Service Manual Repair 2010:

Whispering the Secrets of Language: An Emotional Journey through **Polaris Sportsman 550 Service Manual Repair 2010**

In a digitally-driven earth where screens reign great and immediate interaction drowns out the subtleties of language, the profound techniques and psychological nuances concealed within phrases usually move unheard. Yet, nestled within the pages of **Polaris Sportsman 550 Service Manual Repair 2010** a interesting literary value pulsing with fresh emotions, lies an exceptional journey waiting to be undertaken. Written by a skilled wordsmith, this charming opus invites readers on an introspective journey, delicately unraveling the veiled truths and profound impact resonating within the cloth of every word. Within the psychological depths of the moving evaluation, we will embark upon a honest exploration of the book is key themes, dissect their interesting publishing model, and yield to the effective resonance it evokes serious within the recesses of readers hearts.

<https://hersolutiongelbuy.com/results/browse/fetch.php/yamaha%20fzs%20600%20fazer%201998%202001%20motorcycle%20workshop%20manual%20repair%20manual%20service%20manual.pdf>

Table of Contents Polaris Sportsman 550 Service Manual Repair 2010

1. Understanding the eBook Polaris Sportsman 550 Service Manual Repair 2010
 - The Rise of Digital Reading Polaris Sportsman 550 Service Manual Repair 2010
 - Advantages of eBooks Over Traditional Books
2. Identifying Polaris Sportsman 550 Service Manual Repair 2010
 - Exploring Different Genres
 - Considering Fiction vs. Non-Fiction
 - Determining Your Reading Goals
3. Choosing the Right eBook Platform
 - Popular eBook Platforms
 - Features to Look for in an Polaris Sportsman 550 Service Manual Repair 2010
 - User-Friendly Interface
4. Exploring eBook Recommendations from Polaris Sportsman 550 Service Manual Repair 2010

- Personalized Recommendations
 - Polaris Sportsman 550 Service Manual Repair 2010 User Reviews and Ratings
 - Polaris Sportsman 550 Service Manual Repair 2010 and Bestseller Lists
5. Accessing Polaris Sportsman 550 Service Manual Repair 2010 Free and Paid eBooks
 - Polaris Sportsman 550 Service Manual Repair 2010 Public Domain eBooks
 - Polaris Sportsman 550 Service Manual Repair 2010 eBook Subscription Services
 - Polaris Sportsman 550 Service Manual Repair 2010 Budget-Friendly Options
 6. Navigating Polaris Sportsman 550 Service Manual Repair 2010 eBook Formats
 - ePub, PDF, MOBI, and More
 - Polaris Sportsman 550 Service Manual Repair 2010 Compatibility with Devices
 - Polaris Sportsman 550 Service Manual Repair 2010 Enhanced eBook Features
 7. Enhancing Your Reading Experience
 - Adjustable Fonts and Text Sizes of Polaris Sportsman 550 Service Manual Repair 2010
 - Highlighting and Note-Taking Polaris Sportsman 550 Service Manual Repair 2010
 - Interactive Elements Polaris Sportsman 550 Service Manual Repair 2010
 8. Staying Engaged with Polaris Sportsman 550 Service Manual Repair 2010
 - Joining Online Reading Communities
 - Participating in Virtual Book Clubs
 - Following Authors and Publishers Polaris Sportsman 550 Service Manual Repair 2010
 9. Balancing eBooks and Physical Books Polaris Sportsman 550 Service Manual Repair 2010
 - Benefits of a Digital Library
 - Creating a Diverse Reading Collection Polaris Sportsman 550 Service Manual Repair 2010
 10. Overcoming Reading Challenges
 - Dealing with Digital Eye Strain
 - Minimizing Distractions
 - Managing Screen Time
 11. Cultivating a Reading Routine Polaris Sportsman 550 Service Manual Repair 2010
 - Setting Reading Goals Polaris Sportsman 550 Service Manual Repair 2010
 - Carving Out Dedicated Reading Time
 12. Sourcing Reliable Information of Polaris Sportsman 550 Service Manual Repair 2010

- Fact-Checking eBook Content of Polaris Sportsman 550 Service Manual Repair 2010
 - Distinguishing Credible Sources
13. Promoting Lifelong Learning
- Utilizing eBooks for Skill Development
 - Exploring Educational eBooks
14. Embracing eBook Trends
- Integration of Multimedia Elements
 - Interactive and Gamified eBooks

Polaris Sportsman 550 Service Manual Repair 2010 Introduction

In the digital age, access to information has become easier than ever before. The ability to download Polaris Sportsman 550 Service Manual Repair 2010 has revolutionized the way we consume written content. Whether you are a student looking for course material, an avid reader searching for your next favorite book, or a professional seeking research papers, the option to download Polaris Sportsman 550 Service Manual Repair 2010 has opened up a world of possibilities. Downloading Polaris Sportsman 550 Service Manual Repair 2010 provides numerous advantages over physical copies of books and documents. Firstly, it is incredibly convenient. Gone are the days of carrying around heavy textbooks or bulky folders filled with papers. With the click of a button, you can gain immediate access to valuable resources on any device. This convenience allows for efficient studying, researching, and reading on the go. Moreover, the cost-effective nature of downloading Polaris Sportsman 550 Service Manual Repair 2010 has democratized knowledge. Traditional books and academic journals can be expensive, making it difficult for individuals with limited financial resources to access information. By offering free PDF downloads, publishers and authors are enabling a wider audience to benefit from their work. This inclusivity promotes equal opportunities for learning and personal growth. There are numerous websites and platforms where individuals can download Polaris Sportsman 550 Service Manual Repair 2010. These websites range from academic databases offering research papers and journals to online libraries with an expansive collection of books from various genres. Many authors and publishers also upload their work to specific websites, granting readers access to their content without any charge. These platforms not only provide access to existing literature but also serve as an excellent platform for undiscovered authors to share their work with the world. However, it is essential to be cautious while downloading Polaris Sportsman 550 Service Manual Repair 2010. Some websites may offer pirated or illegally obtained copies of copyrighted material. Engaging in such activities not only violates copyright laws but also undermines the efforts of authors, publishers, and researchers. To ensure ethical downloading, it is advisable to utilize reputable websites that prioritize the legal distribution of content. When downloading

Polaris Sportsman 550 Service Manual Repair 2010, users should also consider the potential security risks associated with online platforms. Malicious actors may exploit vulnerabilities in unprotected websites to distribute malware or steal personal information. To protect themselves, individuals should ensure their devices have reliable antivirus software installed and validate the legitimacy of the websites they are downloading from. In conclusion, the ability to download Polaris Sportsman 550 Service Manual Repair 2010 has transformed the way we access information. With the convenience, cost-effectiveness, and accessibility it offers, free PDF downloads have become a popular choice for students, researchers, and book lovers worldwide. However, it is crucial to engage in ethical downloading practices and prioritize personal security when utilizing online platforms. By doing so, individuals can make the most of the vast array of free PDF resources available and embark on a journey of continuous learning and intellectual growth.

FAQs About Polaris Sportsman 550 Service Manual Repair 2010 Books

What is a Polaris Sportsman 550 Service Manual Repair 2010 PDF? A PDF (Portable Document Format) is a file format developed by Adobe that preserves the layout and formatting of a document, regardless of the software, hardware, or operating system used to view or print it. **How do I create a Polaris Sportsman 550 Service Manual Repair 2010 PDF?** There are several ways to create a PDF: Use software like Adobe Acrobat, Microsoft Word, or Google Docs, which often have built-in PDF creation tools. Print to PDF: Many applications and operating systems have a "Print to PDF" option that allows you to save a document as a PDF file instead of printing it on paper. Online converters: There are various online tools that can convert different file types to PDF. **How do I edit a Polaris Sportsman 550 Service Manual Repair 2010 PDF?** Editing a PDF can be done with software like Adobe Acrobat, which allows direct editing of text, images, and other elements within the PDF. Some free tools, like PDFescape or Smallpdf, also offer basic editing capabilities. **How do I convert a Polaris Sportsman 550 Service Manual Repair 2010 PDF to another file format?** There are multiple ways to convert a PDF to another format: Use online converters like Smallpdf, Zamzar, or Adobe Acrobat's export feature to convert PDFs to formats like Word, Excel, JPEG, etc. Software like Adobe Acrobat, Microsoft Word, or other PDF editors may have options to export or save PDFs in different formats. **How do I password-protect a Polaris Sportsman 550 Service Manual Repair 2010 PDF?** Most PDF editing software allows you to add password protection. In Adobe Acrobat, for instance, you can go to "File" -> "Properties" -> "Security" to set a password to restrict access or editing capabilities. Are there any free alternatives to Adobe Acrobat for working with PDFs? Yes, there are many free alternatives for working with PDFs, such as: LibreOffice: Offers PDF editing features. PDFsam: Allows splitting, merging, and editing PDFs. Foxit Reader: Provides basic PDF viewing and editing capabilities. How do I compress a PDF file? You can use online tools like Smallpdf, ILovePDF, or desktop software

like Adobe Acrobat to compress PDF files without significant quality loss. Compression reduces the file size, making it easier to share and download. Can I fill out forms in a PDF file? Yes, most PDF viewers/editors like Adobe Acrobat, Preview (on Mac), or various online tools allow you to fill out forms in PDF files by selecting text fields and entering information. Are there any restrictions when working with PDFs? Some PDFs might have restrictions set by their creator, such as password protection, editing restrictions, or print restrictions. Breaking these restrictions might require specific software or tools, which may or may not be legal depending on the circumstances and local laws.

Find Polaris Sportsman 550 Service Manual Repair 2010 :

[yamaha fzs 600 fazer 1998 2001 motorcycle workshop manual repair manual service manual](#)

[yamaha majesty yp400w owners manual](#)

[yamaha kx25 kx49 kx61 service manual repair guide](#)

yamaha marine command workshop manual

yamaha dx7 owners manual

[yamaha majesty 400 maintenance manual](#)

[yamaha f20 outboard price](#)

yamaha kodiak ultramatic 4x4 service manual

[yamaha grizzly 600 1998 factory service repair manual](#)

[yamaha cp 70b music keyboards owners manual](#)

[yamaha fzr1000 w wc motorcycle 1989 service manual](#)

[yamaha kt100 engine user manual](#)

[yamaha legenda 110z manual](#)

yamaha fzf waverunner service manual

yamaha g14jn31 golf cart parts manual catalog 1996

Polaris Sportsman 550 Service Manual Repair 2010 :

[das runtastic laufbuch lauf dich schlank und fit in nu - Apr 30 2023](#)

web lauftechnik ausrüstung der individuelle trainingsplan ernährung gewichtsabnahme und kraftaufbau werden anschaulich erklärt ebenso wie verletzungsprävention motivation und leistungssteigerung hinzu kommen wahre geschichten aus der großen runtastic community ein must für jeden läufer

das runtastic lafbuch ernster - Jun 20 2022

web lauf dich schlank und fit in nur 10 wochen buch kartoniert paperback 208 seiten

das runtastic lafbuch lauf dich schlank und fit 2023 - Feb 26 2023

web das runtastic lafbuch lauf dich schlank und fit a life too short nov 28 2021 winner of the william hill sports book of the year winner of the british sports book awards football book of the year why does an international footballer with the world at his feet decide to take his own life on 10

das runtastic lafbuch lauf dich schlank und fit in nur 10 wochen - Jul 02 2023

web das offizielle buch zur app begleitet von profi laufcoach sascha wingenfeld erklärt das ganzheitliche runtastic bewegungsprinzip bestehend aus laufen ernährung motivation und kraft und begleitet den läufer von den ersten schritten bis zum wettkampflaufen

das runtastic lafbuch lauf dich schlank und fit in nur 10 - Jun 01 2023

web jul 13 2015 amazon com das runtastic lafbuch lauf dich schlank und fit in nur 10 wochen 9783868836622 books

9783868836622 *das runtastic lafbuch lauf dich schlank und fit* - Sep 23 2022

web das runtastic lafbuch lauf dich schlank und fit in nur 10 wochen and a great selection of related books art and collectibles available now at abebooks com

9783868836622 *das runtastic lafbuch lauf dich schlank und fit* - May 20 2022

web das runtastic lafbuch lauf dich schlank und fit in nur 10 wochen finden sie alle bücher von riva verlag bei der büchersuchmaschine eurobuch com können sie antiquarische und neubücher vergleichen und sofort zum bestpreis bestellen 9783868836622

das runtastic lafbuch lauf dich schlank und fit in nur 10 - Apr 18 2022

web das offizielle buch zur app begleitet von profi laufcoach sascha wingenfeld erklärt das ganzheitliche runtastic bewegungsprinzip bestehend aus laufen ernährung motivation und kraft und begleitet den läufer von den ersten schritten bis zum wettkampflaufen

das runtastic lafbuch lauf dich schlank und fit in nur 10 - Oct 25 2022

web abebooks com das runtastic lafbuch lauf dich schlank und fit in nur 10 wochen 9783868836622 and a great selection of similar new used and collectible books available now at great prices das runtastic lafbuch lauf dich schlank und fit in nur 10 wochen 9783868836622 abebooks

das runtastic lafbuch lauf dich schlank und fit in nur 10 - Jul 22 2022

web das runtastic lafbuch lauf dich schlank und fit in nur 10 wochen german edition ebook riva amazon com au kindle store *runtastic lafbuch lauf dich schlank und fit in 10 wochen* - Oct 05 2023

web jul 13 2015 mit dem runtastic laufbuch und den besten tipps und tricks startest du bestens vorbereitet in dein nächstes lauftraining freu dich auf den 10 wochen plan für einsteiger und viele weitere wertvolle infos zu den themen motivation ernährung abnehmen leistung ausdauer gesundheit und mehr

das runtastic laufbuch lauf dich schlank und fit in nur 10 - Dec 27 2022

web jul 1 2015 das runtastic laufbuch lauf dich schlank und fit in nur 10 wochen ebook riva amazon de kindle store

das runtastic laufbuch lauf dich schlank und fit in nur 10 - Aug 03 2023

web das runtastic laufbuch lauf dich schlank und fit in nur 10 wochen on amazon com au free shipping on eligible orders das runtastic laufbuch lauf dich schlank und fit in nur 10 wochen

das runtastic laufbuch lauf dich schlank und fit in nur 10 wochen - Mar 30 2023

web das runtastic laufbuch lauf dich schlank und fit in nur 10 wochen ebook written by riva verlag read this book using google play books app on your pc android ios devices download for offline reading highlight bookmark or take notes while you read das runtastic laufbuch lauf dich schlank und fit in nur 10 wochen

das runtastic laufbuch lauf dich schlank und fit in nur 10 - Jan 28 2023

web jul 11 2015 laufen gehört zu den populärsten sportarten deutschlands immer mehr menschen entdecken die gesunde und kostengünstige fitness für sich

das runtastic laufbuch ernster - Aug 23 2022

web lauf dich schlank und fit in nur 10 wochen book paperback 208 pages free shipping in luxembourg from 25 our stores editions diffusion magazine catalog events

das runtastic laufbuch lauf dich schlank und fit in nur 10 wochen - Sep 04 2023

web das runtastic laufbuch lauf dich schlank und fit in nur 10 wochen broschiert 13 juli 2015 laufen gehört zu den populärsten sportarten deutschlands immer mehr menschen entdecken die gesunde und kostengünstige fitness für sich und 60 millionen registrierte user weltweit nutzen zum training die app von runtastic

das runtastic laufbuch lauf dich schlank und fit in nur 10 - Mar 18 2022

web das offizielle buch zur app begleitet von profi laufcoach sascha wingenfeld erklärt das ganzheitliche runtastic bewegungsprinzip bestehend aus laufen ernährung motivation und kraft und begleitet den läufer von den ersten schritten bis zum wettkampflaufen

das runtastic laufbuch lauf dich schlank und fit in nur 10 wochen - Feb 14 2022

web jul 13 2015 das runtastic laufbuch lauf dich schlank und fit in nur 10 wochen von unbekannt broschiert bei medimops de bestellen immer mehr menschen entdecken die gesunde und kostengünstige fitness für sich und 60 millionen registrierte user weltweit nutzen zum training die app von runtastic

das runtastic laufbuch lauf dich schlank und fit in nur 10 - Nov 25 2022

web lauftechnik ausrüstung der individuelle trainingsplan ernährung gewichtsabnahme und kraftaufbau werden anschaulich erklärt ebenso wie verletzungsprävention motivation und

[class 12 accountancy project 2022 23 pdf slideshare](#) - Nov 21 2022

web sep 28 2018 accountancy 12th class project work both comprehensive and specific himanshu mishra 119 8k views 32 slides marketing management project business

[accountancy project file class xii cbse youtube](#) - May 16 2022

web we make study a fun filled activity when we relate the theoretical part of accountancy class 12 notes with its practical portion and make study easier than ever we keep

[cbse class 12 accountancy project guide 2023 24](#) - Jul 18 2022

web 1 day ago hpbose class 12th accountancy model paper 2024 the himachal pradesh board of school education hpbose annual board examinations for the 2023 24

[2021 22 accountancy class xii sample project pdf scribd](#) - Jan 24 2023

web apr 2 2023 the class 12th accountancy project topics on the financial statement analysis is expected to help the class 12 accounting students to develop their

[class 12 accountancy project sample projects free](#) - Jul 30 2023

web sep 15 2023 students can go through the complete cbse class 12 accountancy project guide that will help them in preparing their scoring project report file this article

[accountancy class 12 project pdf slideshare](#) - Oct 01 2023

web apr 5 2015 accountancy class 12 project apr 5 2015 1 821 likes 1 668 723 views harshith govindas student at new horizon college education this project work

[accountancy project work xii pdf working capital](#) - Oct 21 2022

web jul 11 2020 accountancy project class 12thello guys this is my first youtube video please subscribe to my channel for more useful videos here i ve shown you my class

accountancy project for class 12 students exam feed - Aug 19 2022

web project work project name class roll no guide school lndo of h dmaioat d 1 project work p 9 a project file acknowledgement i express my gratitude to

[cbse class 12 accountancy project guide 2023 24](#) - Jun 28 2023

web class xii accountancy project sample project 2021 22 f international indian school jeddah saudi arabia affiliated to central board of secondary

class 11 accountancy project byju s - Nov 09 2021

accountancy notes class 12 class 12 accountancy study - Dec 11 2021

class xi accountancy project 2021 22 pdf expense banks - Mar 14 2022

accounts project on ratio analysis for class 12th pdf slideshare - Sep 19 2022

web accountancy code no 055 2021 22 class xii curriculum term wise term 1 mcq based question paper theory 40 marks duration 90 minutes marks part a unit

accountancy code no 055 2021 22 class xii byju s - Apr 14 2022

web class 11 accountancy project class 11 accountancy project plays an essential role in the students life however a few students would be apprehensive about how and what

hp board class 12 accountancy model paper 2023 24 - Feb 10 2022

accountancy project for class 12 byju s - Dec 23 2022

web oct 27 2023 cbse class 12 accountancy project guidelines 2023 24 students should consider any one of the following for their class 12 accountancy project file collect

[cbse class 12th accountancy project topics getmyuni](#) - Feb 22 2023

web nov 23 2021 accounts project on ratio analysis for class 12th and this slide you will get all the necessary details and descriptions and the company s share price and also all the

cbse class 12 accounts project 2023 24 ratio - Mar 26 2023

web accountancy project work xii free download as pdf file pdf text file txt or read online for free scribd is the world s largest social reading and publishing site open

accountancy project class 11th and 12th academia edu - Apr 26 2023

web apr 5 2023 class 12 accountancy project 2022 23 download as a pdf or view online for free

ghana technical assistance report diagnostic mission on - Jan 12 2022

accountancy project and reliance industries class 12 - Jun 16 2022

web 2 days ago this diagnostic mission financed under a seco transformative statistics agenda two year project fy23 25 assessed country priorities in view of ghana s

[accountancy project for class 12 byju s](#) - Aug 31 2023

web accountancy project class 12 project work year name of the school name of the student class

accountancy class 12 comprehensive project all 3 - May 28 2023

web accountancy project class 12 project work year name of the school name of the student class

wave types of waves properties of waves application of waves - Jul 17 2023

physics waves wave a wave is a disturbance in a medium that carries energy without a net movement of particles it may take the form of elastic deformation a variation of pressure electric or magnetic intensity electric potential or temperature table of content introduction of waves types of waves transverse waves longitudinal wave

introduction to waves video khan academy - May 15 2023

transverse waves electromagnetic waves light waves radio waves wave in a string etc longitudinal waves compression waves in a spring sound waves etc 1 comment comment on sabbarish govindarajan s post transverse waves electro

[graspit questions aqa gcse physics waves the](#) - Sep 07 2022

a which wave is likely to be a radio wave 1 wave a 1 b which wave would be carrying the greatest amount of energy 1 wave e 1 c which wave could be used for medical imaging 1 wave e 1 d if the waves represent the colours of visible light what colour could wave c represent 1 yellow green blue 1

waves ks3 physics bbc bitesize - May 03 2022

features of waves all waves transfer energy from one place to another examples of waves are all around us and include light sound ocean waves radio waves and radiation

18 1 units and measurement physics libretexts - Jul 05 2022

conceptual questions 1 physics is the science concerned with describing the interactions of energy matter space and time to uncover the fundamental mechanisms that underlie every phenomenon 3 no neither of these two theories is more valid than the other experimentation is the ultimate decider

waves high school physics science khan academy - Feb 12 2023

unit 1 one dimensional motion unit 2 forces and newton s laws of motion unit 3 two dimensional motion unit 4 uniform circular motion and gravitation unit 5 work and energy unit 6 linear momentum and collisions unit 7 torque and angular momentum unit 8 simple harmonic motion unit 9 waves unit 10 sound unit 11 static electricity unit 12 dc circuits

[5 e oscillations and waves exercise physics libretexts](#) - Nov 09 2022

feb 20 2022 introduction to physics park unit 2 mechanics i energy and momentum oscillations and waves rotation and fluids

[wave properties video waves khan academy](#) - Mar 13 2023

the wavelength and frequency of a wave are related to one another by the speed of travel of the wave which depends on the type of wave and the medium through which it is passing created by khan academy

types of waves properties of waves aqa gcse physics - Oct 08 2022

learn about and revise wave properties calculations involving waves and measuring the speed of sound with gcse bitesize physics

16 a electromagnetic waves answer physics libretexts - Aug 06 2022

a the directions of wave propagation of the e field and of b field are all mutually perpendicular b the speed of the electromagnetic wave is the speed of light $c = \frac{1}{\sqrt{\epsilon_0 \mu_0}}$ independent of frequency c the ratio of electric and magnetic field amplitudes is

waves review answers the physics classroom - Sep 19 2023

answer d the given info allows you to determine the speed of the wave $v = \frac{d}{t} = \frac{2 \text{ m}}{0.5 \text{ s}} = 4 \text{ m/s}$ if there are 3 waves in a 2 meter long rope then each wave is $\frac{2}{3}$ meter long now find frequency with the equation $v = f \lambda$ where $v = 4 \text{ m/s}$ and $\lambda = 0.667 \text{ m}$

waves bbc bitesize - Mar 01 2022

transverse wave light wave ripples on water radio waves microwaves wavelength λ the distance between two peaks or two troughs m period t the time taken for one complete vibration

waves review the physics classroom - Jun 16 2023

the physics classroom serves students teachers and classrooms by providing classroom ready resources that utilize an easy to understand language that makes learning interactive and multi dimensional written by teachers for teachers and students the physics classroom provides a wealth of resources that meets the varied needs of both students and teachers

waves gcse physics single science revision aqa bbc bitesize - Dec 10 2022

gcse physics single science waves learning resources for adults children parents and teachers

exam 1 physics iii vibrations and waves mit opencourseware - Jan 11 2023

practice exam exam 1 formula sheet pdf practice exam 1 pdf previous next mit opencourseware is a web based publication of virtually all mit course content ocw is open and available to the world and is a permanent mit activity

the physics of waves mit opencourseware - Aug 18 2023

the physics of waves howard georgi harvard university originally published by prentice hall englewood cliffs new jersey 07632

[answers to problems and hints for solution vibrations and waves](#) - Jun 04 2022

jun 5 2012 9 non dispersive waves 10 non dispersive waves in physics 11 fourier theory 12 dispersion 13 water waves 14 electromagnetic waves 15 de broglie waves 16 solitary waves 17 plane waves at boundaries 18 diffraction answers to

problems and hints for solution constants and units index

[physics waves toppr](#) - Jan 31 2022

learn the concepts of physics waves with videos and stories at some point or the other all of us have experienced

eavesdropping isn't it let us try and understand the sound waves better solve study textbooks guides join login class 11

physics waves waves guides practice learn fast revision mindmap 1 min read

13 1 types of waves physics openstax - Apr 14 2023

what do we mean when we say something is a wave a wave is a disturbance that travels or propagates from the place where it was created waves transfer energy from one place to another but they do not necessarily transfer any mass light sound and waves in the ocean are common examples of waves

waves class 11 physics india science khan academy - Apr 02 2022

waves are responsible for basically every form of communication we use whether you're talking out loud or texting on your phone there's going to be a wave transmitting information learn the fundamentals of waves and sound in this unit