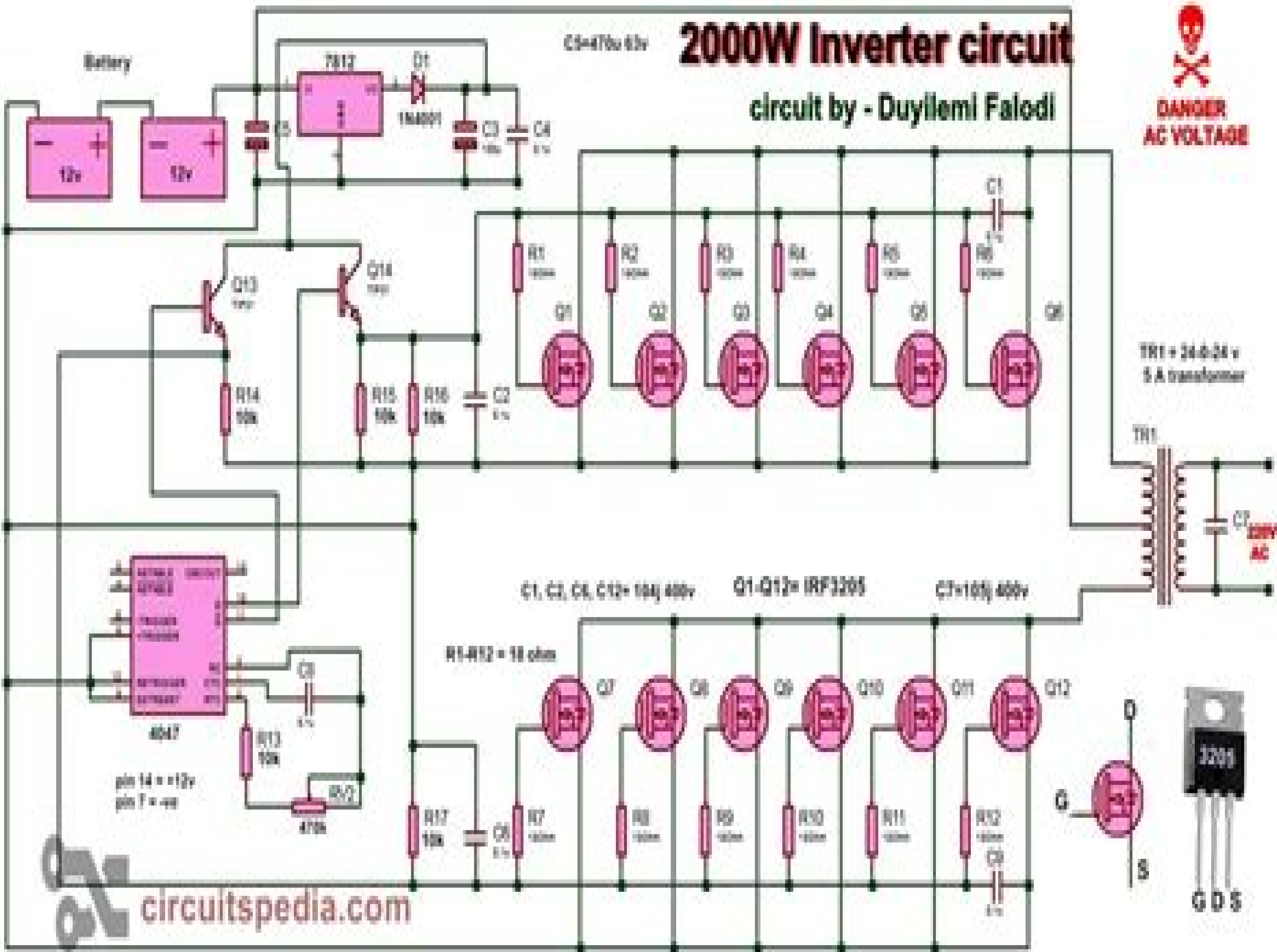


2000W Inverter circuit

circuit by - Duyilemi Falodi



IC=478u 63v

C1, C2, C5, C13= 100µ 400v

Q1-Q12= IRT3205

C7=100µ 400v

R1-R12 = 18 ohm

Battery

TR1 = 240:24 v
5 A transformer

pin 14 = +24v
pin 7 = gnd

Show A Power Inverter Schematic Circuit Diagram

**Massimo Rudan, Rossella
Brunetti, Susanna Reggiani**



Show A Power Inverter Schematic Circuit Diagram:

Springer Handbook of Semiconductor Devices Massimo Rudan, Rossella Brunetti, Susanna Reggiani, 2022-11-10 This Springer Handbook comprehensively covers the topic of semiconductor devices embracing all aspects from theoretical background to fabrication modeling and applications Nearly 100 leading scientists from industry and academia were selected to write the handbook's chapters which were conceived for professionals and practitioners material scientists physicists and electrical engineers working at universities industrial R D and manufacturers Starting from the description of the relevant technological aspects and fabrication steps the handbook proceeds with a section fully devoted to the main conventional semiconductor devices like e g bipolar transistors and MOS capacitors and transistors used in the production of the standard integrated circuits and the corresponding physical models In the subsequent chapters the scaling issues of the semiconductor device technology are addressed followed by the description of novel concept based semiconductor devices The last section illustrates the numerical simulation methods ranging from the fabrication processes to the device performances Each chapter is self contained and refers to related topics treated in other chapters when necessary so that the reader interested in a specific subject can easily identify a personal reading path through the vast contents of the handbook

Environment, Energy and Applied Technology Wen-Pei Sung, Jimmy C.M. Kao, 2015-01-29 This proceedings volume brings together selected peer reviewed papers presented at the 2014 International Conference on Frontier of Energy and Environment Engineering Topics covered include energy efficiency and energy management energy exploration and exploitation power generation technologies water pollution and protection air pollution and *Embedded Systems Circuits and Programming* Julio Sanchez, Maria P. Canton, 2017-12-19 During the development of an engineered product developers often need to create an embedded system a prototype that demonstrates the operation function of the device and proves its viability Offering practical tools for the development and prototyping phases *Embedded Systems Circuits and Programming* provides a tutorial on microcontroller programming and the basics of embedded design The book focuses on several development tools and resources Standard and off the shelf components such as input output devices integrated circuits motors and programmable microcontrollers The implementation of circuit prototypes via breadboards the in house fabrication of test time printed circuit boards PCBs and the finalization by the manufactured board Electronic design programs and software utilities for creating PCBs Sample circuits that can be used as part of the targeted embedded system The selection and programming of microcontrollers in the circuit For those working in electrical electronic computer and software engineering this hands on guide helps you successfully develop systems and boards that contain digital and analog components and controls The text includes easy to follow sample circuits and their corresponding programs enabling you to use them in your own work For critical circuits the authors provide tested PCB files *Nano-Interconnect Materials and Models for Next Generation Integrated Circuit Design* Sandip Bhattacharya, J Ajayan, Fernando Avila Herrera, 2023-12-22

Aggressive scaling of device and interconnect dimensions has resulted in many low dimensional issues in the nanometer regime This book deals with various new generation interconnect materials and interconnect modeling and highlights the significance of novel nano interconnect materials for 3D integrated circuit design It provides information about advanced nanomaterials like carbon nanotube CNT and graphene nanoribbon GNR for the realization of interconnects interconnect models and crosstalk noise analysis Features Focuses on materials and nanomaterials utilization in next generation interconnects based on carbon nanotubes CNT and graphene nanoribbons GNR Helps readers realize interconnects interconnect models and crosstalk noise analysis Describes hybrid CNT and GNR based interconnects Presents the details of power supply voltage drop analysis in CNT and GNR interconnects Overviews pertinent RF performance and stability analysis This book is aimed at graduate students and researchers in electrical and materials engineering and nano microelectronics

Advanced technologies for planning and operation of prosumer energy systems Bin Zhou, Siqi Bu, Liansong Xiong, Hugo Morais, Junjie Hu, Jingyang Fang, Jian Zhao, Peng Hou, 2023-04-28 *How Transistor Area Shrank by 1 Million Fold* Howard Tigelaar, 2020-07-15 This book explains in layman's terms how CMOS transistors work The author explains step by step how CMOS transistors are built along with an explanation of the purpose of each process step He describes for readers the key inventions and developments in science and engineering that overcame huge obstacles enabling engineers to shrink transistor area by over 1 million fold and build billions of transistor switches that switch over a billion times a second all on a piece of silicon smaller than a thumbnail Wireless Power/Data Transfer, Energy Harvesting System Design Byunghun Lee, 2021-08-31 This book focuses on emerging wireless power data and energy harvesting technologies and highlights their fundamental requirements followed by recent advancements It provides a various technical overview and analysis of key techniques for wireless power data and energy harvesting system design The state of the art system introduced in this book will benefit designers looking to develop wireless power transfer and energy harvesting technologies in a variety of fields such as wearable implantable devices home appliances and electric vehicles

Conference Proceedings of 2022 2nd International Joint Conference on Energy, Electrical and Power Engineering Cungang Hu, Wenping Cao, 2023-08-02 This book will be a collection of the conference manuscripts presented at the 2022 2nd International Joint Conference on Energy Electrical and Power Engineering covering new and renewable energy electrical and power engineering It is expected to report the latest technological developments in the fields developed by academic researchers and industrial practitioners The application and dissemination of these technologies will benefit the research community as new research directions are becoming increasingly interdisciplinary requiring researchers from different research areas to come together and share ideas It will also benefit the electrical engineering and energy industry as we are now experiencing a new wave of industrial revolution i e the electrification intelligentisation and digitalisation of our transport manufacturing processes and way of thinking *2013 6th International Conference on BioMedical*

Engineering and Informatics (BMEI 2013), 2014-01-07 SPBEI 2013 aims to be an excellent platform to facilitate international exchange of state of the art research and practice in image video and signal processing biomedical engineering informatics and their cross intersection to catalyze innovative research ideas and to disseminate new scientific discoveries The nature of the research demands collaboration in medicine biology physics engineering computer science and statistics and SPBEI attempts to expedite and strengthen the exploration and systemization of interdisciplinary knowledge This year the conference received a large number of submissions around the globe and all papers have been rigorously reviewed by a large number of peer reviewers who have spent tremendous amount of time and effort on the evaluations with each paper receiving three to six reviews We would like to thank all those who submitted papers for considerations and we extend our sincere gratitude to all those who devoted their time and effort professionally to ensuring the high standards of the technical program including the authors committee members peer reviewers and session chairs Advanced Electronic Circuits,

AN/GSQ-T2 Trainer United States. Air Force,1957 **CMOS** R. Jacob Baker,2008 This edition provides an important contemporary view of a wide range of analog digital circuit blocks the BSIM model data converter architectures and more The authors develop design techniques for both long and short channel CMOS technologies and then compare the two

Integration of Large Scale Wind Energy with Electrical Power Systems in China Zongxiang Lu, Shuangxi Zhou,2018-04-04 An in depth examination of large scale wind projects and electricity production in China Presents the challenges of electrical power system planning design operation and control carried out by large scale wind power from the Chinese perspective Focuses on the integration issue of large scale wind power to the bulk power system probing the interaction between wind power and bulk power systems Wind power development is a burgeoning area of study in developing countries with much interest in offshore wind farms and several big projects under development English translation of the Chinese language original which won the Fourth China Outstanding Publication Award nomination in March 2013 *Device-independent Graphics* Robert F. Sproull,W. R. Sutherland,Michael K. Ullner,1985 Computer graphics Interactive computer graphics Graphics hardware Graphics software The graphical kernel system Using the graphical kernel system Getting started with GKS An interactive drawing program Extending the application Using the drawing A review of application design Geometry A geometry primer Transformations Modeling Three dimensional graphics Shaded perspective pictures Raster graphics Programming the IBM professional graphics controller Raster images Raster techniques Lessons learned Using graphics standards Appendices Index **AF Manual** United States. Department of the Air Force,1957

HVDC Transmission Mr. Rohit Manglik,2024-04-06 EduGorilla Publication is a trusted name in the education sector committed to empowering learners with high quality study materials and resources Specializing in competitive exams and academic support EduGorilla provides comprehensive and well structured content tailored to meet the needs of students across various streams and levels *Digital Technologies and Applications* Saad Motahhir,Badre Bossoufi,2023-04-27 This

book presents volume 2 of selected research papers presented at the Second International Conference on Digital Technologies and Applications ICDTA 23 This book highlights the latest innovations in digital technologies as artificial intelligence Internet of Things embedded systems network technology digital transformation and their applications in several areas as Industry 4.0 renewable energy mechatronics digital healthcare etc The respective papers encourage and inspire researchers industry professionals and policymakers to put these methods into practice

The Development of an Airways Ultra-high-frequency Communications Circuit J. C. Hromada, P. De Forrest McKeel, 1940

Power Quality in Microgrids Based on Distributed Generators Ambrish Chandra, Hua Geng, 2019-12-10 This book comprises ten articles covering different aspects of power quality issues in microgrids and distributed generation DG systems including 1 Detection and estimation of power quality 2 Modeling 3 Harmonic control for DG systems and microgrids 4 Stability improvements for microgrids Different power quality phenomena and solution were studied in the included papers such as harmonics resonance frequency deviation voltage sag and fluctuation From a network point of view some papers studied the harmonic and stability issues in standalone microgrids which are more likely to cause power quality problems Other papers discussed the power quality problems in microgrids which are weakly interconnected with the main distribution grid In view of the published papers there is a trend that increasingly advanced modeling analysis and control schemes were applied in the studies Moreover the latest works focus not only on single unit problems but also multiple units or network issues Although some of the hot topics are not included this book covers multiple aspects of the current power quality research frontier and represents a particularly useful reference book for frontier researchers in this field

AC Power Systems Handbook Jerry C. Whitaker, 2018-10-03 Sooner or later power system protection is going to cost money How much is entirely up to you Setting up a safe and effective AC power system from the very beginning can help avoid costly downtime and repairs provide backup power during system outages and minimize workplace accidents For the past 15 years Jerry Whitaker's AC Power Systems Handbook has supplied industry professionals with a comprehensive practical guide to the key elements of AC power for commercial and industrial systems This third edition is thoroughly revised and completely reorganized to reflect the changing demands of modern power systems To ease navigation many sections are now presented as separate chapters filled with updated and expanded information Most notably the author adds heavily in the areas of transient suppression hardware electrical system components and power system fundamentals Following a logical progression coverage flows from power system operation to protecting equipment loads selecting the right level of protection grounding standby power and safety Along the way the author paints a clear picture of the sources of disturbances the tradeoffs involved for different options and the advantages and limitations of various approaches Streamlined to be a hands on user oriented guide the AC Power Systems Handbook offers expert guidance on designing and installing a safe and efficient power system

Design of a Three-phase, 15-kilovolt-ampere Static Inverter for Motor-starting a Brayton Space Power System Robert J. Frye, 1972 The

design of a three phase 400 Hz 15 kVA static inverter for motor starting the 2 to 15 kWe Brayton electrical space power system is described The inverter operates from a nominal 56 V dc source to provide a 28 V rms quasi square wave output The inverter is capable of supplying a 200 A peak current Integrated circuitry is used to generate the three phase 400 Hz reference signals Performance data for a drive stage that improves switching speed and provides efficient operation over a range of output current and drive supply voltage are presented A transformerless transistor output stage is used

Embark on a breathtaking journey through nature and adventure with Crafted by is mesmerizing ebook, **Show A Power Inverter Schematic Circuit Diagram** . This immersive experience, available for download in a PDF format (Download in PDF: *), transports you to the heart of natural marvels and thrilling escapades. Download now and let the adventure begin!

https://hersolutiongelbuy.com/results/virtual-library/Download_PDFS/Yamaha%20Yz80%20Parts%20Diagram.pdf

Table of Contents Show A Power Inverter Schematic Circuit Diagram

1. Understanding the eBook Show A Power Inverter Schematic Circuit Diagram
 - The Rise of Digital Reading Show A Power Inverter Schematic Circuit Diagram
 - Advantages of eBooks Over Traditional Books
2. Identifying Show A Power Inverter Schematic Circuit Diagram
 - Exploring Different Genres
 - Considering Fiction vs. Non-Fiction
 - Determining Your Reading Goals
3. Choosing the Right eBook Platform
 - Popular eBook Platforms
 - Features to Look for in an Show A Power Inverter Schematic Circuit Diagram
 - User-Friendly Interface
4. Exploring eBook Recommendations from Show A Power Inverter Schematic Circuit Diagram
 - Personalized Recommendations
 - Show A Power Inverter Schematic Circuit Diagram User Reviews and Ratings
 - Show A Power Inverter Schematic Circuit Diagram and Bestseller Lists
5. Accessing Show A Power Inverter Schematic Circuit Diagram Free and Paid eBooks
 - Show A Power Inverter Schematic Circuit Diagram Public Domain eBooks
 - Show A Power Inverter Schematic Circuit Diagram eBook Subscription Services
 - Show A Power Inverter Schematic Circuit Diagram Budget-Friendly Options
6. Navigating Show A Power Inverter Schematic Circuit Diagram eBook Formats

- ePub, PDF, MOBI, and More
 - Show A Power Inverter Schematic Circuit Diagram Compatibility with Devices
 - Show A Power Inverter Schematic Circuit Diagram Enhanced eBook Features
7. Enhancing Your Reading Experience
 - Adjustable Fonts and Text Sizes of Show A Power Inverter Schematic Circuit Diagram
 - Highlighting and Note-Taking Show A Power Inverter Schematic Circuit Diagram
 - Interactive Elements Show A Power Inverter Schematic Circuit Diagram
 8. Staying Engaged with Show A Power Inverter Schematic Circuit Diagram
 - Joining Online Reading Communities
 - Participating in Virtual Book Clubs
 - Following Authors and Publishers Show A Power Inverter Schematic Circuit Diagram
 9. Balancing eBooks and Physical Books Show A Power Inverter Schematic Circuit Diagram
 - Benefits of a Digital Library
 - Creating a Diverse Reading Collection Show A Power Inverter Schematic Circuit Diagram
 10. Overcoming Reading Challenges
 - Dealing with Digital Eye Strain
 - Minimizing Distractions
 - Managing Screen Time
 11. Cultivating a Reading Routine Show A Power Inverter Schematic Circuit Diagram
 - Setting Reading Goals Show A Power Inverter Schematic Circuit Diagram
 - Carving Out Dedicated Reading Time
 12. Sourcing Reliable Information of Show A Power Inverter Schematic Circuit Diagram
 - Fact-Checking eBook Content of Show A Power Inverter Schematic Circuit Diagram
 - Distinguishing Credible Sources
 13. Promoting Lifelong Learning
 - Utilizing eBooks for Skill Development
 - Exploring Educational eBooks
 14. Embracing eBook Trends
 - Integration of Multimedia Elements
 - Interactive and Gamified eBooks

Show A Power Inverter Schematic Circuit Diagram Introduction

Free PDF Books and Manuals for Download: Unlocking Knowledge at Your Fingertips In today's fast-paced digital age, obtaining valuable knowledge has become easier than ever. Thanks to the internet, a vast array of books and manuals are now available for free download in PDF format. Whether you are a student, professional, or simply an avid reader, this treasure trove of downloadable resources offers a wealth of information, conveniently accessible anytime, anywhere. The advent of online libraries and platforms dedicated to sharing knowledge has revolutionized the way we consume information. No longer confined to physical libraries or bookstores, readers can now access an extensive collection of digital books and manuals with just a few clicks. These resources, available in PDF, Microsoft Word, and PowerPoint formats, cater to a wide range of interests, including literature, technology, science, history, and much more. One notable platform where you can explore and download free Show A Power Inverter Schematic Circuit Diagram PDF books and manuals is the internet's largest free library. Hosted online, this catalog compiles a vast assortment of documents, making it a veritable goldmine of knowledge. With its easy-to-use website interface and customizable PDF generator, this platform offers a user-friendly experience, allowing individuals to effortlessly navigate and access the information they seek. The availability of free PDF books and manuals on this platform demonstrates its commitment to democratizing education and empowering individuals with the tools needed to succeed in their chosen fields. It allows anyone, regardless of their background or financial limitations, to expand their horizons and gain insights from experts in various disciplines. One of the most significant advantages of downloading PDF books and manuals lies in their portability. Unlike physical copies, digital books can be stored and carried on a single device, such as a tablet or smartphone, saving valuable space and weight. This convenience makes it possible for readers to have their entire library at their fingertips, whether they are commuting, traveling, or simply enjoying a lazy afternoon at home. Additionally, digital files are easily searchable, enabling readers to locate specific information within seconds. With a few keystrokes, users can search for keywords, topics, or phrases, making research and finding relevant information a breeze. This efficiency saves time and effort, streamlining the learning process and allowing individuals to focus on extracting the information they need. Furthermore, the availability of free PDF books and manuals fosters a culture of continuous learning. By removing financial barriers, more people can access educational resources and pursue lifelong learning, contributing to personal growth and professional development. This democratization of knowledge promotes intellectual curiosity and empowers individuals to become lifelong learners, promoting progress and innovation in various fields. It is worth noting that while accessing free Show A Power Inverter Schematic Circuit Diagram PDF books and manuals is convenient and cost-effective, it is vital to respect copyright laws and intellectual property rights. Platforms offering free downloads often operate within legal boundaries, ensuring that the materials they provide are either in the public domain or authorized for distribution. By adhering to copyright laws, users can enjoy the benefits of free access to

knowledge while supporting the authors and publishers who make these resources available. In conclusion, the availability of Show A Power Inverter Schematic Circuit Diagram free PDF books and manuals for download has revolutionized the way we access and consume knowledge. With just a few clicks, individuals can explore a vast collection of resources across different disciplines, all free of charge. This accessibility empowers individuals to become lifelong learners, contributing to personal growth, professional development, and the advancement of society as a whole. So why not unlock a world of knowledge today? Start exploring the vast sea of free PDF books and manuals waiting to be discovered right at your fingertips.

FAQs About Show A Power Inverter Schematic Circuit Diagram Books

What is a Show A Power Inverter Schematic Circuit Diagram PDF? A PDF (Portable Document Format) is a file format developed by Adobe that preserves the layout and formatting of a document, regardless of the software, hardware, or operating system used to view or print it. **How do I create a Show A Power Inverter Schematic Circuit Diagram PDF?** There are several ways to create a PDF: Use software like Adobe Acrobat, Microsoft Word, or Google Docs, which often have built-in PDF creation tools. Print to PDF: Many applications and operating systems have a "Print to PDF" option that allows you to save a document as a PDF file instead of printing it on paper. Online converters: There are various online tools that can convert different file types to PDF. **How do I edit a Show A Power Inverter Schematic Circuit Diagram PDF?** Editing a PDF can be done with software like Adobe Acrobat, which allows direct editing of text, images, and other elements within the PDF. Some free tools, like PDFescape or Smallpdf, also offer basic editing capabilities. **How do I convert a Show A Power Inverter Schematic Circuit Diagram PDF to another file format?** There are multiple ways to convert a PDF to another format: Use online converters like Smallpdf, Zamzar, or Adobe Acrobat's export feature to convert PDFs to formats like Word, Excel, JPEG, etc. Software like Adobe Acrobat, Microsoft Word, or other PDF editors may have options to export or save PDFs in different formats. **How do I password-protect a Show A Power Inverter Schematic Circuit Diagram PDF?** Most PDF editing software allows you to add password protection. In Adobe Acrobat, for instance, you can go to "File" -> "Properties" -> "Security" to set a password to restrict access or editing capabilities. Are there any free alternatives to Adobe Acrobat for working with PDFs? Yes, there are many free alternatives for working with PDFs, such as: LibreOffice: Offers PDF editing features. PDFsam: Allows splitting, merging, and editing PDFs. Foxit Reader: Provides basic PDF viewing and editing capabilities. **How do I compress a PDF file?** You can use online tools like Smallpdf, ILovePDF, or desktop software like Adobe Acrobat to compress PDF files without significant quality loss. Compression reduces the file size, making it easier to share and download. **Can I fill out forms in a PDF file?** Yes, most PDF viewers/editors like Adobe Acrobat, Preview (on Mac), or various online tools allow you to fill out forms in PDF files by selecting text fields and entering information. Are

there any restrictions when working with PDFs? Some PDFs might have restrictions set by their creator, such as password protection, editing restrictions, or print restrictions. Breaking these restrictions might require specific software or tools, which may or may not be legal depending on the circumstances and local laws.

Find Show A Power Inverter Schematic Circuit Diagram :

yamaha yz80 parts diagram

yamaha moto 4 250 owners manual

yamaha xz550 service manual

yamaha virago fuel line diagram

~~yanmar 4 cylinder diesel engine shop manual~~

yamaha xj550 owners manual

yd25 service manual

~~yamaha raptor 700 owners manual~~

yamaha tdm 900 owners manual

~~year 2 sats crocodiles marking scheme~~

yamaha psr 530 service manual

yamaha rs venture gt service manual

yamaha rx 135 service manual

year 2 sats paper 20smile please mark scheme

yard house macaroni and cheese recipe

Show A Power Inverter Schematic Circuit Diagram :

einfach deutsch sophokles anouilh brecht u a anti erwin - Jan 28 2022

web einfach deutsch sophokles anouilh brecht u a anti getting the books einfach deutsch sophokles anouilh brecht u a anti now is not type of inspiring means you

einfach deutsch unterrichtsmodelle sophokles anouilh brecht - Jun 13 2023

web einfach deutsch unterrichtsmodelle sophokles anouilh brecht u a antigone in vergangenheit und gegenwart gymnasiale oberstufe sophokles anouilh brecht

pdf einfach deutsch sophokles anouilh brecht u a anti pdf - Oct 05 2022

web jun 27 2023 recognizing the way ways to get this books einfach deutsch sophokles anouilh brecht u a anti pdf is additionally useful you have remained in right site to

[einfach deutsch einfach deutsch sophokles anouilh brecht](#) - Aug 03 2022

web with an active marketplace of over 270 million items use the alibris advanced search page to find any item you are looking for through the advanced search you can find items

einfach deutsch sophokles anouilh brecht u a anti full pdf - Apr 30 2022

web einfach deutsch sophokles anouilh brecht u a anti 1 einfach deutsch sophokles anouilh brecht u a anti as recognized adventure as well as experience roughly

einfach deutsch sophokles anouilh brecht u a antigone in - Jul 14 2023

web einfach deutsch sophokles anouilh brecht u a antigone in vergangenheit und gegenwart sophokles anouilh brecht u a antigone in vergangenheit und

antigone in vergangenheit und gegenwart einfach deutsch - Apr 11 2023

web dieses unterrichtsmodell bezieht sich auf folgende textausgabe aus der reihe einfach deutsch sophokles anouilh brecht u a antigone in vergangenheit und gegenwart

einfach deutsch sophokles anouilh brecht u a anti simon - Sep 04 2022

web merely said the einfach deutsch sophokles anouilh brecht u a anti is universally compatible in the same way as any devices to read brown paper bag detdrich

einfach deutsch sophokles anouilh brecht u a antigone in - Dec 27 2021

web kritische sophokles anouilh brecht u a antigone in einfach deutsch sophokles anouilh brecht u a antigone sophokles buch versandkostenfrei kaufen bücher de books by

[einfach deutsch sophokles anouilh brecht u a anti heiner](#) - Mar 30 2022

web einfach deutsch sophokles anouilh brecht u a anti as recognized adventure as skillfully as experience about lesson amusement as with ease as union can be gotten

[einfach deutsch sophokles anouilh brecht u a anti](#) - Nov 06 2022

web deutsche nationalbibliographie und bibliographie der im ausland erschienenen deutschsprachigen veröffentlichungen slam sophokles anouilh brecht u a

[einfach deutsch sophokles anouilh brecht u a antigone in](#) - Feb 09 2023

web einfach deutsch sophokles anouilh brecht u a antigone in vergangenheit und gegenwart by margret behringer königs erläuterungen textanalyse und interpretation zu

[sophokles anouilh brecht u a antigone in vergangenheit und](#) - May 12 2023

web 8 marktplatz angebote für sophokles anouilh brecht u a antigone in vergangenheit und gegenwart einfach deutsch textausgaben ab 1 00

einfach deutsch sophokles anouilh brecht u a anti - Sep 23 2021

web collections from fictions to scientific research in any way in the middle of them is this einfach deutsch sophokles anouilh brecht u a anti that can be your partner

[einfach deutsch sophokles anouilh brecht u a anti](#) - Jul 02 2022

web einfach deutsch sophokles anouilh brecht u a anti h lderlin after the catastrophe dec 05 2022 in each case holderlin is examined as the occasion for salvaging that

einfach deutsch sophokles anouilh brecht u a anti simon callow - Oct 25 2021

web this einfach deutsch sophokles anouilh brecht u a anti but end up in infectious downloads rather than reading a good book with a cup of tea in the afternoon instead

einfach deutsch textausgaben sophokles anouilh brecht u a - Aug 15 2023

web einfach deutsch textausgaben sophokles anouilh brecht u a antigone in vergangenheit und gegenwart gymnasiale oberstufe

[einfach deutsch sophokles anouilh brecht antigone in past](#) - Mar 10 2023

web may 1 2005 einfach deutsch sophokles anouilh brecht antigone in past and present paperback 1 may 2005 by johannes diekhans herausgeber margret

[einfach deutsch sophokles anouilh brecht u a anti pdf](#) - Jan 08 2023

web 4 einfach deutsch sophokles anouilh brecht u a anti 2022 09 30 and updated with new material and featuring artwork by the winner of the faber guardian illustration

einfach deutsch sophokles anouilh brecht u a anti pdf wrbb neu - Dec 07 2022

web 2 einfach deutsch sophokles anouilh brecht u a anti 2023 06 27 einfach deutsch sophokles anouilh brecht u a anti 2023 06 27 choi bianca the war between the

einfach deutsch einfach - Feb 26 2022

web einfach deutsch einfach deutsch sophokles anouilh brecht antigone f r 3 90 chf versandkostenfrei bei exsila ch bestellen

einfach deutsch sophokles anouilh brecht u a anti copy - Jun 01 2022

web 2 einfach deutsch sophokles anouilh brecht u a anti 2023 01 13 bukowski america s ultimate outsider amazing letters filled with passionate literary and personal

einfach deutsch sophokles anouilh brecht u a anti copy - Nov 25 2021

web einfach deutsch sophokles anouilh brecht u a anti einfach deutsch sophokles anouilh brecht u a anti 3 downloaded from

donate pfi org on 2020 11 23 by guest

[giving out all ib past papers 1995 2013 page 3 xtremepapers](#) - Jun 30 2022

web mar 20 2014 i am currently giving out all ib past papers 1995 2013 ib questionbank math physics chemistry biology v1 v2 v3 i need english a2 language and

cambridge igcse chemistry 0620 31 mark scheme may jun - Jan 06 2023

web chemistry 0620 31paper 3 theory extended mark scheme may june 2013igcse cambridge international examination view full screen mark scheme of cambridge

[chemistry paper 3 tz1 hl markscheme pdf scribd](#) - Apr 09 2023

web chemistry paper 3 tz1 hl markscheme free download as pdf file pdf text file txt or view presentation slides online

may 2013 chemistry higher level paper 3 - Oct 15 2023

web the order of marking points does not have to be as in the markscheme unless stated otherwise 7 if the candidate s answer has the same meaning or can be clearly

markscheme may 2018 chemistry standard level paper 3 - Oct 03 2022

web of 22 m18 4 chemi sp3 eng tz1 xx m markscheme may 2018 chemistry standard level paper 3 22 pages f 2 m18 4 chemi sp3 eng tz1 xx m this markscheme is the

may june 2013 igcse chemistry paper sc query - Jul 12 2023

web may june 2013 igcse chemistry paper sc query may june 2013 s13 past papers for igcse chemistry

markscheme a1chemistry - Jan 26 2022

web a CH_3COCH_3 and $\text{CH}_3\text{CH}_2\text{CHO}$ 1 accept full or condensed structural formulas ignore incorrect names as long as structures are correct b same similar types of bonds

may 2015 chemistry higher level paper 3 papacambridge - Mar 08 2023

web m15 4 chemi hp3 eng tz1 xx m 22 pages markscheme may 2015 chemistry higher level paper 3

markscheme a1chemistry - Apr 28 2022

web only this compound has h atoms in 3 different chemical environments owtte only this compound has protons in ratio 3 2 1 in each environment owtte only this compound

markscheme free exam papers - Jun 11 2023

web this is intentional each marking point has a separate line and the end is shown by means of a semicolon an alternative answer or wording is indicated in the markscheme by a

sec 3 express chemistry sa1 2017 free test papers - Mar 28 2022

web nov 5 2023 2017 secondary exam papers 2017 secondary 3 express chemistry sec 3 express chemistry sa1 2017 st

patrick s school search november 13 2023

may 2018 chemistry standard level paper 3 - May 30 2022

web markscheme may 2018 chemistry standard level paper 3 this markscheme is the property of the international baccalaureate and must not be reproduced or distributed to

markscheme freeexampapers com - Sep 14 2023

web standard level paper 3 21 pages this markscheme is confidential and for the exclusive use of examiners in this examination session it is the property of the international

markscheme freeexampapers com - May 10 2023

web m13 4 chemi hpm eng tz1 xx m 2 pages markscheme may 2013 chemistry higher level paper 1

[solution chemistry paper 3 tz1 hl markscheme studypool](#) - Feb 07 2023

web this markscheme is confidential and for the exclusive use of it is the property of the international baccalaureate and must not solution chemistry paper 3 tz1 hl

may 2013 chemistry higher level paper 3 archive org - Feb 24 2022

web may 2013 chemistry higher level paper 3 2 for unless directed otherwise in the markscheme do not award a mark for a correct name 12 3ch₂cho contains peak

markscheme free exam papers - Dec 05 2022

web accept balanced equation c₆h₁₂o₆ o₂ 2ch₃c o cooh c₃h₄o₃ 2h₂o involving pyruvate ions or pyruvic acid aerobic respiration pyruvate ions c₃h₃o₃ pyruvic

chemistry candidate session number standard level - Aug 13 2023

web chemistry standard level paper 3 instructions to candidates write your session number in the boxes above do not open this examination paper until

download free chemistry paper 3 2013 tz1 may markscheme - Sep 02 2022

web chemistry paper 3 2013 tz1 may markscheme media constrained by context aug 14 2021 this books draws a comparative balance of twenty years international media

may 2019 chemistry standard level paper 3 - Aug 01 2022

web markscheme may 2019 chemistry standard level paper 3 2 m19 4 chemi sp3 eng tz1 xx m no part of this product may be reproduced in any

[sec3 express chemistry the learning space](#) - Nov 04 2022

web 2017 sec 3 express chemistry sa1 assumption english school 2017 bedok view sa1 2017 sec 3 express chemistry sa1 bedok view secondary 2017 we provide the

one world level 8 collins big cat arabic reading pro - Mar 18 2022

web 2 one world level 8 collins big cat arabic reading pro 2021 12 17 offers additional learning resources for both students and lecturers alike contemporary health studies an introduction is an essential guide for undergraduate health students written by three authors who have a wealth of teaching experience in this subject area

one world level 8 collins big cat arabic reading pro patsy m - Apr 18 2022

web the one world level 8 collins big cat arabic reading pro member that we allow here and check out the link you could buy lead one world level 8 collins big cat arabic reading pro or acquire it as soon as feasible you could quickly download this one world level 8 collins big cat arabic reading pro after getting deal

one world level 8 collins big cat arabic reading programme by collins - May 20 2022

web sep 24 2023 collins big cat arabic world of football level 7 may 15th 2020 collins arabic big cat is a guided reading series for ages 3 to 11 the series is structured with reference to the learning progression of arabic at nursery and primary schools researched especially for collins this carefully graded approach

one world level 8 by collins uk paperback barnes noble - Jan 28 2023

web nov 1 2016 collins arabic big cat is a guided reading series for ages 3 to 11 the series is structured with reference to the learning progression of arabic at

one world level 8 collins big cat arabic goodreads - Apr 30 2023

web collins arabic big cat is a guided reading series for ages 3 to 11 the series is structured w one world level 8 collins big cat arabic by collins uk goodreads

one world level 8 collins big cat arabic reading pro pdf - Sep 23 2022

web oct 6 2023 one world level 8 collins big cat arabic reading pro 1 7 downloaded from uniport edu ng on october 6 2023 by guest one world level 8 collins big cat arabic reading pro right here we have countless ebook one world level 8 collins big cat arabic reading pro and collections to check out

one world level 8 collins big cat arabic reading pro pdf - Jul 22 2022

web oct 4 2023 level 8 collins big cat arabic reading pro but end up in malicious downloads rather than reading a good book with a cup of coffee in the afternoon instead they cope with some harmful virus inside their desktop computer one world level 8 collins big cat arabic reading pro is available in our book collection an online access to it

one world level 8 collins big cat arabic reading pro 2023 - Aug 23 2022

web textbook of neuroanesthesia and neurocritical care collins big cat arabic readers an encyclopedia designed especially to meet the needs of elementary junior high and senior high school students billboard collins

one world level 8 collins big cat arabic collins uk - Mar 30 2023

web nov 1 2016 one world level 8 collins big cat arabic collins uk on amazon com free shipping on qualifying offers one world level 8 collins big cat arabic

learnenglish big city small world series 2 episode 8 support - Feb 14 2022

web everybody wished each other a happy new year vocabulary task match up match the two parts of each dialogue 1 christmas goes on until january 6

one world level 8 collins big cat arabic reading pro pdf - Nov 25 2022

web may 29 2023 one world level 8 collins big cat arabic reading programme collins uk 2016 08 collins arabic big cat is a guided reading series for ages 3 to 11 the series is structured with reference to the

one world level 8 collins big cat arabic mitpressbookstore - Sep 04 2023

web nov 1 2016 collins arabic big cat is a guided reading series for ages 3 to 11 the series is structured with reference to the learning progression of arabic at nursery and primary schools researched especially for collins

one world level 8 collins big cat arabic reading pro malala - Oct 25 2022

web online statement one world level 8 collins big cat arabic reading pro can be one of the options to accompany you with having new time it will not waste your time recognize me the e book will utterly circulate you extra situation to read

collins big cat arabic one world level 8 goodreads - Jul 02 2023

web oct 8 2015 collins big cat arabic one world book read reviews from world s largest community for readers collins arabic big cat is a guided reading series for a

one world level 8 collins big cat arabic softcover abebooks - Feb 26 2023

web one world level 8 collins big cat arabic by collins uk isbn 10 0008185638 isbn 13 9780008185633 collins 2016 softcover [one world level 8 collins big cat arabic reading programme](#) - Aug 03 2023

web one world level 8 collins big cat arabic reading programme hughes monica collins big cat amazon co uk books

one world level 8 collins big cat arabic reading programme by collins - Jun 20 2022

web jun 3 2023 this one world level 8 collins big cat arabic reading programme by collins big cat as one of the predominant functioning sellers here will entirely be paired with by the best possibilities to review

one world level 8 by monica hughes collins big cat alibris - Dec 27 2022

web collins arabic big cat is a guided reading series for ages 3 to 11 the series is structured with reference to the learning progression of arabic at nursery and primary schools researched especially for collins this carefully graded approach allows children to build up their reading knowledge of arabic step by step level 8 books are

[collins big cat arabic reading programme one world level 8 collins](#) - Oct 05 2023

web aug 1 2016 collins arabic big cat is a guided reading series for ages 3 to 11 the series is structured with reference to

Show A Power Inverter Schematic Circuit Diagram

the learning progression of arabic at nursery and primary schools researched especially for collins this carefully graded approach allows children to build up their reading knowledge of ar
one world level 8 collins big cat arabic reading pro - Jun 01 2023
web elephant level 8 collins big cat arabic reading programme apr 07 2023 collins arabic big cat is a guided reading series for ages 3 to 11 the series is structured with reference to the learning progression of arabic at nursery and primary schools researched especially for collins this carefully graded