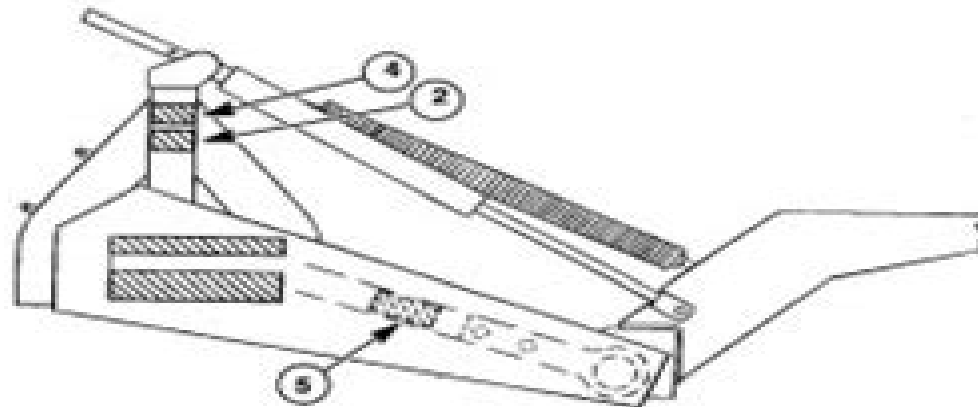
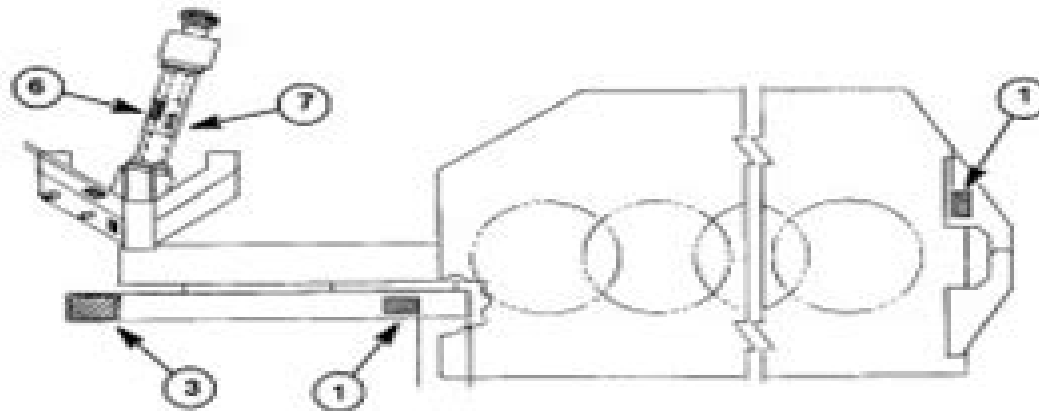


SAFETY DECALS

The following safety decals have been placed on your machine in the areas indicated. They are intended for your personal safety and for those working with you. Please take this manual and walk around your machine to note the content and location of these warning signs. Review these warning signs and the operating instructions detailed in this manual with your machine operators.



New Holland 616 Disc Cutter Manual

R Pring



New Holland 616 Disc Cutter Manual:

Reviewing **New Holland 616 Disc Cutter Manual**: Unlocking the Spellbinding Force of Linguistics

In a fast-paced world fueled by information and interconnectivity, the spellbinding force of linguistics has acquired newfound prominence. Its capacity to evoke emotions, stimulate contemplation, and stimulate metamorphosis is actually astonishing. Within the pages of "**New Holland 616 Disc Cutter Manual**," an enthralling opus penned by a very acclaimed wordsmith, readers set about an immersive expedition to unravel the intricate significance of language and its indelible imprint on our lives. Throughout this assessment, we shall delve in to the book is central motifs, appraise its distinctive narrative style, and gauge its overarching influence on the minds of its readers.

<https://hersolutiongelbuy.com/book/Resources/Documents/top%20notch%201%20workbook%20answer%20key.pdf>

Table of Contents New Holland 616 Disc Cutter Manual

1. Understanding the eBook New Holland 616 Disc Cutter Manual
 - The Rise of Digital Reading New Holland 616 Disc Cutter Manual
 - Advantages of eBooks Over Traditional Books
2. Identifying New Holland 616 Disc Cutter Manual
 - Exploring Different Genres
 - Considering Fiction vs. Non-Fiction
 - Determining Your Reading Goals
3. Choosing the Right eBook Platform
 - Popular eBook Platforms
 - Features to Look for in a New Holland 616 Disc Cutter Manual
 - User-Friendly Interface
4. Exploring eBook Recommendations from New Holland 616 Disc Cutter Manual
 - Personalized Recommendations
 - New Holland 616 Disc Cutter Manual User Reviews and Ratings
 - New Holland 616 Disc Cutter Manual and Bestseller Lists

5. Accessing New Holland 616 Disc Cutter Manual Free and Paid eBooks
 - New Holland 616 Disc Cutter Manual Public Domain eBooks
 - New Holland 616 Disc Cutter Manual eBook Subscription Services
 - New Holland 616 Disc Cutter Manual Budget-Friendly Options
6. Navigating New Holland 616 Disc Cutter Manual eBook Formats
 - ePub, PDF, MOBI, and More
 - New Holland 616 Disc Cutter Manual Compatibility with Devices
 - New Holland 616 Disc Cutter Manual Enhanced eBook Features
7. Enhancing Your Reading Experience
 - Adjustable Fonts and Text Sizes of New Holland 616 Disc Cutter Manual
 - Highlighting and Note-Taking New Holland 616 Disc Cutter Manual
 - Interactive Elements New Holland 616 Disc Cutter Manual
8. Staying Engaged with New Holland 616 Disc Cutter Manual
 - Joining Online Reading Communities
 - Participating in Virtual Book Clubs
 - Following Authors and Publishers New Holland 616 Disc Cutter Manual
9. Balancing eBooks and Physical Books New Holland 616 Disc Cutter Manual
 - Benefits of a Digital Library
 - Creating a Diverse Reading Collection New Holland 616 Disc Cutter Manual
10. Overcoming Reading Challenges
 - Dealing with Digital Eye Strain
 - Minimizing Distractions
 - Managing Screen Time
11. Cultivating a Reading Routine New Holland 616 Disc Cutter Manual
 - Setting Reading Goals New Holland 616 Disc Cutter Manual
 - Carving Out Dedicated Reading Time
12. Sourcing Reliable Information of New Holland 616 Disc Cutter Manual
 - Fact-Checking eBook Content of New Holland 616 Disc Cutter Manual
 - Distinguishing Credible Sources
13. Promoting Lifelong Learning

- Utilizing eBooks for Skill Development
- Exploring Educational eBooks
- 14. Embracing eBook Trends
 - Integration of Multimedia Elements
 - Interactive and Gamified eBooks

New Holland 616 Disc Cutter Manual Introduction

In the digital age, access to information has become easier than ever before. The ability to download New Holland 616 Disc Cutter Manual has revolutionized the way we consume written content. Whether you are a student looking for course material, an avid reader searching for your next favorite book, or a professional seeking research papers, the option to download New Holland 616 Disc Cutter Manual has opened up a world of possibilities. Downloading New Holland 616 Disc Cutter Manual provides numerous advantages over physical copies of books and documents. Firstly, it is incredibly convenient. Gone are the days of carrying around heavy textbooks or bulky folders filled with papers. With the click of a button, you can gain immediate access to valuable resources on any device. This convenience allows for efficient studying, researching, and reading on the go. Moreover, the cost-effective nature of downloading New Holland 616 Disc Cutter Manual has democratized knowledge. Traditional books and academic journals can be expensive, making it difficult for individuals with limited financial resources to access information. By offering free PDF downloads, publishers and authors are enabling a wider audience to benefit from their work. This inclusivity promotes equal opportunities for learning and personal growth. There are numerous websites and platforms where individuals can download New Holland 616 Disc Cutter Manual. These websites range from academic databases offering research papers and journals to online libraries with an expansive collection of books from various genres. Many authors and publishers also upload their work to specific websites, granting readers access to their content without any charge. These platforms not only provide access to existing literature but also serve as an excellent platform for undiscovered authors to share their work with the world. However, it is essential to be cautious while downloading New Holland 616 Disc Cutter Manual. Some websites may offer pirated or illegally obtained copies of copyrighted material. Engaging in such activities not only violates copyright laws but also undermines the efforts of authors, publishers, and researchers. To ensure ethical downloading, it is advisable to utilize reputable websites that prioritize the legal distribution of content. When downloading New Holland 616 Disc Cutter Manual, users should also consider the potential security risks associated with online platforms. Malicious actors may exploit vulnerabilities in unprotected websites to distribute malware or steal personal information. To protect themselves, individuals should ensure their devices have reliable antivirus software installed and validate the legitimacy of the websites they are downloading from.

In conclusion, the ability to download New Holland 616 Disc Cutter Manual has transformed the way we access information. With the convenience, cost-effectiveness, and accessibility it offers, free PDF downloads have become a popular choice for students, researchers, and book lovers worldwide. However, it is crucial to engage in ethical downloading practices and prioritize personal security when utilizing online platforms. By doing so, individuals can make the most of the vast array of free PDF resources available and embark on a journey of continuous learning and intellectual growth.

FAQs About New Holland 616 Disc Cutter Manual Books

How do I know which eBook platform is the best for me? Finding the best eBook platform depends on your reading preferences and device compatibility. Research different platforms, read user reviews, and explore their features before making a choice. Are free eBooks of good quality? Yes, many reputable platforms offer high-quality free eBooks, including classics and public domain works. However, make sure to verify the source to ensure the eBook credibility. Can I read eBooks without an eReader? Absolutely! Most eBook platforms offer webbased readers or mobile apps that allow you to read eBooks on your computer, tablet, or smartphone. How do I avoid digital eye strain while reading eBooks? To prevent digital eye strain, take regular breaks, adjust the font size and background color, and ensure proper lighting while reading eBooks. What the advantage of interactive eBooks? Interactive eBooks incorporate multimedia elements, quizzes, and activities, enhancing the reader engagement and providing a more immersive learning experience. New Holland 616 Disc Cutter Manual is one of the best book in our library for free trial. We provide copy of New Holland 616 Disc Cutter Manual in digital format, so the resources that you find are reliable. There are also many Ebooks of related with New Holland 616 Disc Cutter Manual. Where to download New Holland 616 Disc Cutter Manual online for free? Are you looking for New Holland 616 Disc Cutter Manual PDF? This is definitely going to save you time and cash in something you should think about. If you trying to find then search around for online. Without a doubt there are numerous these available and many of them have the freedom. However without doubt you receive whatever you purchase. An alternate way to get ideas is always to check another New Holland 616 Disc Cutter Manual. This method for see exactly what may be included and adopt these ideas to your book. This site will almost certainly help you save time and effort, money and stress. If you are looking for free books then you really should consider finding to assist you try this. Several of New Holland 616 Disc Cutter Manual are for sale to free while some are payable. If you arent sure if the books you would like to download works with for usage along with your computer, it is possible to download free trials. The free guides make it easy for someone to free access online library for download books to your device. You can get free download on free trial for lots of books categories. Our library is the biggest of these that have literally hundreds of thousands of different products categories represented. You will also see that there are specific sites

catered to different product types or categories, brands or niches related with New Holland 616 Disc Cutter Manual. So depending on what exactly you are searching, you will be able to choose e books to suit your own need. Need to access completely for Campbell Biology Seventh Edition book? Access Ebook without any digging. And by having access to our ebook online or by storing it on your computer, you have convenient answers with New Holland 616 Disc Cutter Manual To get started finding New Holland 616 Disc Cutter Manual, you are right to find our website which has a comprehensive collection of books online. Our library is the biggest of these that have literally hundreds of thousands of different products represented. You will also see that there are specific sites catered to different categories or niches related with New Holland 616 Disc Cutter Manual So depending on what exactly you are searching, you will be able to choose ebook to suit your own need. Thank you for reading New Holland 616 Disc Cutter Manual. Maybe you have knowledge that, people have search numerous times for their favorite readings like this New Holland 616 Disc Cutter Manual, but end up in harmful downloads. Rather than reading a good book with a cup of coffee in the afternoon, instead they juggled with some harmful bugs inside their laptop. New Holland 616 Disc Cutter Manual is available in our book collection an online access to it is set as public so you can download it instantly. Our digital library spans in multiple locations, allowing you to get the most less latency time to download any of our books like this one. Merely said, New Holland 616 Disc Cutter Manual is universally compatible with any devices to read.

Find New Holland 616 Disc Cutter Manual :

top notch 1 workbook answer key

~~tokina nikon manual focus~~

tohatsu repair manual 25hp

tok essay introduction example

~~toastmaster bread box parts model 1153 instruction manual recipes~~

~~tom cohen ftc guide to endorsements~~

toad for oracle manual

~~top hat strategy~~

tomtom android user guide

~~to kill an armchair husband a dark comedy english edition~~

~~top 13 ways to retire by your early 30 s~~

~~tomatillo green chili salsa recipe~~

to kill a mockingbird reading guide answer key

toastmaster bread box parts model 1198 instruction manual recipes
tomtom eclipse manual

New Holland 616 Disc Cutter Manual :

tally erp9 interview multiple choice questions mcqs and - Oct 07 2022

web tally erp9 multiple choice questions and answers or tally exam interview questions and answers online or quiz questions for test or tally accounting package mcqs or question bank these tally quiz objective questions with answers are very important for tally operator accountant accounts executive jobs

tally erp 9 tallyhelp - Dec 29 2021

web tally erp 9 is preferred by millions as their business management software across the globe it dynamically adapts to the way you operate your business and helps you simplify your business operations

100 tally erp 9 interview questions answers pdf 2 - Jan 30 2022

web tally erp 9 questions and answers pdf tally erp 9 multiple choice questions and answers tally quiz online test tally gst questions and answers tally erp 9 quiz questions with answers tally fill in the blanks questions with answers top 100 tally erp 9 objective questions and answers 100 tally erp 9 interview questions

tally erp9 interview questions and answers waytosimple - Nov 08 2022

web what are available inventory features in tally erp general storage and classification order processing invoicing purchase management sales management other features what are available statutory features in tally erp goods and service tax gst value added tax excise service tax tax deducted at source tds tax collected at source

26 tally interview questions with tips naukri com - May 14 2023

web sep 21 2020 what is the purpose of a statement of inventory what is profit and loss a c in tally accounting and how can you view the statement when do we use income and expense statements instead of profit and loss and how do you choose that option on tally how do you activate gst in tally erp 9 what is the use of tally vault

tallyprime faqs tallyprime frequently asked questions tally - Apr 01 2022

web sep 16 2021 tallyprime frequently asked questions tally solutions updated on september 16 2021 tallyprime is a powerful business management software for small and medium businesses the software helps manage different aspects of a business like accounting inventory banking taxation payroll with remote access capabilities

500 tally exam questions and answers 2020 21 1 meritnotes - Sep 06 2022

web tally quiz online test tally gst questions and answers tally erp 9 quiz questions with answers tally fill in the blanks questions with answers top 100 tally erp 9 objective questions and answers 100 tally erp 9 interview questions answers pdf

tally question paper with answer pdf in hindi 100 tally practical questions

top 30 tally interview questions and answers 2023 guru99 - Aug 17 2023

web aug 19 2023 here are tally interview questions and answers for fresher as well experienced candidates to get their dream job 1 explain what is tally and where it can be used tally is a software for accounts and inventory management which is used for performing many functions like performing all basic accounting functions estimating job

12 tally interview questions and answers for freshers - Jun 15 2023

web may 16 2023 9 what is the functional enhancement in tally erp 9 software following are the primary functional element enhancement available in tally erp 9 vat tally erp 9 provides an option to record items with diverse vat rates by adjusting the default accounting allocations for selected item in invoice setting

advance tally tally erp 9 era session 1 2 questions - May 02 2022

web jul 23 2021 question 01 q 01 a cost center can be grouped under another cost center 1 true 2 false true question 02 q 02 you will find a predefined cost category when you enable the cost centre feature in tally erp 9

tally erp 9 questions and answers pdf 1 meritnotes - Feb 28 2022

web question 1 tally package is developed by a microsoft b adobe software c apple software d tally solutions view answer question 2 single entry mode is applicable for a payment voucher b contra voucher c receipt voucher d all of these view answer question 3 we can create multiple users in tally activating a tally audit

top 55 most asked tally interview questions and answers - Dec 09 2022

web 29 what is the default configuration of tally erp 9 provided for the balance sheet in tally erp 9 a balance sheet displays two different columns i e liabilities and assets an organization needs to display the closing balances of all the primary groups and capital accounts and the net profit for a specified period on the balance sheet

tally erp 9 interview questions and answers latest youtube - Aug 05 2022

web we are providing tally erp 9 interview questions with answers for experienced pdf and fresher candidates to prepare for interview to get pdf file go here h

tally erp 9 interview question and answers youtube - Jul 04 2022

web advance course training course for more details log on youtube comand call 91 9210161132 mail us advexcel01 gmail com

tally interview questions and answers tally erp 9 interview questions - Jun 03 2022

web top most asked tally erp interview questions and answers for freshers experienced tally erp 9 interview questions and answers for freshers

top 25 tally interview questions you should know in 2023 iim - Apr 13 2023

web aug 7 2023 it has extra features like excise payroll handling tds etc tally 7 2 can be utilized for the simplification of tds services tax and vat whereas tally erp 9 is famous for the progression of simpler accounting and inventory control this is the second most asked tally interview question q3

top 30 advanced tally interview questions and answers henry - Jan 10 2023

web aug 25 2021 question 1 why is advanced tally an important tool in accounting question 2 mention the key differences between tally erp9 and tally 7 2 question 3 what are the key functions available in tally erp9 question 4 are there any pre defined ledgers in tally erp 9 question 5 what are the types of the ledger that can be

top 30 tally interview questions you must learn in 2023 - Mar 12 2023

web advance level top 10 frequently asked tally interview questions explain tally and its applications what is the difference between tally erp 9 and tally 7 2 what features are available in tally erp 9 for accounting what are the features integrated into tally erp 9 what are the pre defined ledgers available in tally erp 9

top tally interview questions and answers for 2023 - Feb 11 2023

web basic tally interview questions answers 1 what do you mean by tally tally is computer software that is broadly used for accounting purposes it also helps with preparing balance sheets filing tax returns and profit loss statements fund flow statements calculating gst etc 2 do you know any features available in tally erp9 for accounting

top tally erp 9 interview questions vskills - Jul 16 2023

web in trial balance the total of all debts balances should be equal to the total of all the credit balances q 9 explain what default configuration tally erp 9 provides for the balance sheet balance sheet in tally erp 9 will show two columns with liabilities and assets

the 5 secrets to highly profitable swing trading goodreads - Feb 09 2023

web 2 hunt for hundreds of 5 to 30 short term winners where the goal is to compound capital quickly by actively moving in and out of them there is not right or wrong approach here both have place in the arsenal of each active market participant the 5 secrets to highly profitable swing trading open library - Dec 07 2022

web sep 12 2014 the 5 secrets to highly profitable swing trading by ivaylo ivanov open library not in library want to read more overview view 1 edition details reviews lists related books last edited by importbot march 21 2023 history edit an edition of the 5 secrets to highly profitable swing trading 2014 the 5 secrets to highly

the 5 secrets to highly profitable swing trading ivanhoff - Mar 10 2023

web sep 14 2014 1 hunt for several huge winners in a year build large positions in them and ride them for monstrous gains 2 hunt for hundreds of 5 to 30 short term winners where the goal is to compound capital quickly by actively moving in and out of them there is not right or wrong approach here

[the 5 secrets to highly profitable swing trading amazon co uk](#) - Oct 05 2022

web the goal of every swing trader is to capture a portion of a short term momentum burst while avoiding consolidation periods then to repeat the same process hundreds of times in the year by risking between 0.5 and 1 of capital per idea the beauty of swing trading is that it provides many signals you don't need to risk a lot per signal

[the 5 secrets to highly profitable swing trading amazon com](#) - Dec 27 2021

web the 5 secrets to highly profitable swing trading customer reviews customer reviews 4.1 out of 5 121 global ratings the 5 secrets to highly profitable swing trading by ivaylo ivanov write a review how customer reviews and ratings work top positive review all positive reviews 4321dud swing trade sweet chariot

[the 5 secrets to highly profitable swing trading 1st edition chegg](#) - Nov 06 2022

web sep 12 2014 coupon rent the 5 secrets to highly profitable swing trading 1st edition 9781502356185 and save up to 80% on textbook rentals and 90% on used textbooks get free 7 day instant etextbook access

[the 5 secrets to highly profitable swing trading pdf full](#) - Jul 14 2023

web sep 12 2014 download or read book the 5 secrets to highly profitable swing trading written by ivaylo ivanov and published by createspace independent pub this book was released on 2014-09-12 with total page 94 pages available in pdf epub and kindle

[the 5 secrets to highly profitable swing trading paperback](#) - Jan 08 2023

web the goal of every swing trader is to capture a portion of a short term momentum burst while avoiding consolidation periods then to repeat the same process hundreds of times in the year by risking between 0.5 and 1 of capital per idea the beauty of swing trading is that it provides many signals you don't need to risk a lot per signal

[the 5 secrets to highly profitable swing trading softcover](#) - Aug 03 2022

web synopsis there are two major ways to consistently make money in the market 1 hunt for several huge winners in a year build large positions in them and ride them for monstrous gains 2 hunt for hundreds of 5 to 30 short term winners where the goal is to compound capital quickly by actively moving in and out of them

the 5 secrets to highly profitable swing trading amazon com tr - Apr 11 2023

web the 5 secrets to highly profitable swing trading ivanov ivaylo amazon com tr kitap

the 5 secrets to highly profitable swing trading paperback - Sep 04 2022

web there are two major ways to consistently make money in the market 1 hunt for several huge winners in a year build large positions in them and ride them for monstrous gains 2 hunt for hundreds of 5 to 30 short term winners where the goal is to compound capital quickly by actively moving in and out of them

[the 5 secrets to highly profitable swing trading amazon com](#) - May 12 2023

web sep 11 2014 the 5 secrets to highly profitable swing trading kindle edition by ivanov ivaylo download it once and read it on your kindle device pc phones or tablets use features like bookmarks note taking and highlighting while reading the 5 secrets to highly profitable swing trading

amazon co uk customer reviews the 5 secrets to highly profitable swing - Mar 30 2022

web the 5 secrets to highly profitable swing trading by ivaylo ivanov write a review how customer reviews and ratings work see all buying options sign in to filter reviews 255 total ratings 60 with reviews there was a problem filtering reviews right now

the 18 best swing trading books to buy for 2023 the stock dork - Jun 01 2022

web sep 22 2022 1 the master swing trader alan s farley is a master of both short day trading and swing trading the master swing trader introduces readers to technical analysis tools such as charts and market sentiment to ensure you start making trades that can hold through price fluctuations and the noise in the market

summary the 5 secrets to highly profitable swing trading - Apr 30 2022

web the 5 secrets to highly profitable swing trading ivanov ivaylo introduction why so many pros swing trade stocks move in 5 to 30 momentum bursts that last between 2 and 10 days before they mean revert or go into sideways consolidation

the 5 secrets to highly profitable swing trading kindle edition - Jul 02 2022

web the goal of every swing trader is to capture a portion of a short term momentum burst while avoiding consolidation periods then to repeat the same process hundreds of times in the year by risking between 0.5 and 1 of capital per idea the beauty of swing trading is that it provides many signals you don't need to risk a lot per signal

the 5 secrets to highly profitable swing trading amazon com - Aug 15 2023

web sep 12 2014 the goal of every swing trader is to capture a portion of a short term momentum burst while avoiding consolidation periods then to repeat the same process hundreds of times in the year by risking between 0.5 and 1 of capital per idea the beauty of swing trading is that it provides many signals

the 5 secrets to highly profitable swing trading paperback - Jun 13 2023

web buy the 5 secrets to highly profitable swing trading by ivanov ivaylo isbn 9781502356185 from amazon's book store everyday low prices and free delivery on eligible orders

the 5 secrets to highly profitable swing trading kindle edition - Feb 26 2022

web the goal of every swing trader is to capture a portion of a short term momentum burst while avoiding consolidation periods then to repeat the same process hundreds of times in the year by risking between 0.5 and 1 of capital per idea the beauty of swing trading is that it provides many signals you don't need to risk a lot per signal

the 5 secrets to highly profitable swing trading thriftbooks - Jan 28 2022

web the 5 secrets to highly profitable swing trading there are two major ways to consistently make money in the market 1 hunt for several huge winners in a year build large positions in them and ride them for monstrous gains 2 hunt for hundreds of 5 to 30 short term winners where the goal is to compound capital quickly by actively
perthville residents thrilled with influx of koalas as rescue call outs - Dec 30 2022

web 1 day ago wires central west koala coordinator jo anderson said her organisation had received a record number of call outs we are receiving unprecedented demand for koala calls we have had 25 calls since
zoo de sydney les koalas youtube - Jun 23 2022

web un koala au zoo de sydney

koala s fun facts more wild life sydney zoo - Jul 05 2023

web koalas are arboreal herbivorous marsupial native to australia their closest living relatives are the wombats which are members of the family vombatidae we have four separate habitats that house both our male and female koalas unfortunately the koala is an endangered species largely due to habitat loss that has sent their species into decline

featherdale wildlife park à sydney 10 expériences et 37 photos - May 23 2022

web featherdale wildlife park 37 photos de featherdale wildlife park 34 horaire 61296221644 téléphone featherdale com au site web 217 229 kildare rd doonside blacktown nueva adresse sauvegardez cet endroit 10 avis sur featherdale wildlife park maris il est indispensable de visiter ce zoo

koala 10 choses à savoir sur les koalas en australie - Apr 02 2023

web le koala a lire dans cet article 1 où observer des koalas en australie 2 quand a t on meilleures chances de voir des koalas 3 description du koala 4 mode de vie du koala 5 que mange le koala 6 la reproduction des koalas 7 le bébé koala et sa mère 8 combien y a t il de koalas en australie 9 le koala une espèce en danger 10

où câliner un koala tourism australia - Nov 28 2022

web en nouvelle galles du sud vous n êtes pas autorisé à porter un koala dans vos bras mais vous pouvez les approcher dans de nombreux endroits notamment le featherdale wildlife park à sydney où vous pouvez en rencontrer et caresser un koala ou même prendre votre petit déjeuner avec lui si vous préférez

where to cuddle a koala in sydney sydney top tours - May 03 2023

web where can i pat a koala in sydney featherdale wildlife park koala encounters taronga zoo walkabout park hunter valley zoo breakfast with koalas wildlife sydney zoo symbio wildlife park happy snaps koala park sanctuary sydney zoo blackbutt reserve a guide to book a koala encounter what is special about koalas

sydney kangourous et koalas le meilleur de 2023 - Jul 25 2022

web visitez le parc naturel de featherdale l attraction animalière principale de sydney observez un koala nourrissez des

kangourous et découvrez d autres espèces indigènes telles que les wombats les diables de tasmanie les bondrées à **découvrir le koala en australie voyages australie à la carte** - Jun 04 2023

web rencontre avec le koala en australie 5 idées reçues la rencontre des koalas est l un des objectifs incontournables d un voyage en australie perché sur les eucalyptus le koala est attachant et plein de surprises endémique d australie le koala appartient à la même famille de mammifères que le kangourou les marsupiaux

koala wikipedia - Jan 31 2023

web the koala phascolarctos cinereus sometimes called koala bear is an arboreal herbivorous marsupial native to australia it is the only extant representative of the family phascolarctidae and its closest living relatives are the wombats *sydney le koala by joe boyle tony collingwood* - Apr 21 2022

web sep 14 2023 programs in the sydney metropolitan region courrier australien france le réchauffement climatique force les koalas à boire 6th mar 17 koala populations and habitat in new south wales april 28th 2020 terms of reference koala populations and habitat in new south wales submissions closed hearing jubilee room parliament *en nouvelles galles du sud les koalas mettent le tawa postap* - Aug 26 2022

web sep 11 2020 les nouvelles galles du sud la région administrative incluant et entourant sydney se déchire sur la protection des koalas dirigée par gladys berejiklian d origine arménienne la majorité locale repose sur une coalition entre le parti libéral auquel elle appartient et le parti national représenté par un certain john barilaro ancien ministre *where to see koalas and kangaroos in sydney i m free tours* - Sep 07 2023

web dec 29 2020 the best place to see kangaroos and koalas in sydney by far is featherdale sydney wildlife park also located in western sydney this wildlife park is exclusively for australian native animals and features a variety of kangaroos koalas crocodiles echidnas and much more

sydney zoo koala - Oct 08 2023

web 700 great western highway eastern creek nsw 2767 hours open 9am 5pm every day 02 7202 2560 the koala is one of australia s best known and iconic animals

le koala emblème australien en péril le devoir - Oct 28 2022

web 17 avril 2023 monde conséquence des feux de brousse de l étalement urbain et des maladies le koala est aujourd hui menacé de disparition mais des australiens sont à pied d oeuvre pour

[koala park sydney sydney australia official travel](#) - Aug 06 2023

web koala park sydney sydney australia official travel accommodation website 84 castle hill road west pennant hills nsw 2125 australia 02 9484 3141 koalapark bigpond com koalapark sanctuary com au book now visit website get directions home destinations sydney north attractions koala park sydney overview

10 endroits pour voir des koalas en australie l océanie pour les - Mar 01 2023

web sommaire 10 endroits pour voir des koalas en australie lone pine koala sanctuary brisbane queensland australia zoo beerwah queensland koala conservation centre phillip island victoria currumbin wildlife sanctuary gold coast queensland kangaroo island south australia taronga zoo sydney new south wales

koala wikipedi - Feb 17 2022

web koala phascolarctos cinereus avustralya ya özgü otobur ve ağaçta yaşayan bir keseli memeli hayvan türüdür phascolarctidae familyasının yaşayan tek temsilcisidir ve yaşayan en yakın akrabaları vombatlardır

12 choses à faire et à voir absolument à sydney le blog des - Mar 21 2022

web explorez le marché aux poissons de sydney partez à la découverte du pittoresque quartier the rocks visitez le jardin botanique royal déambulez sur le pont du port de sydney ou grimpez carrément à son sommet découvrez l île de cockatoo visitez la pittoresque ville balnéaire de manly

chapter 2 sydney continued feat boat koalas - Sep 26 2022

web nov 7 2023 madhu auntie alex and i walked along a boardwalk on the forest floor while yash uncle and poonam waited for us on the rim we admired the ferns and trees before taking a gondola back up out of the forest we had the pleasure of getting to see a rainbow we develop over the three sisters what a blessing